



Carcase/Front/Applications	Interior colour	Colour code
white matt/graphite matt app., Basalt colour glass	Structure grey	Z2400



white matt



Matt graphite



Basalt colour
glass

Matching rauch ORANGE + accessories 4.0 can be found after the wardrobes.
Details of our made-to-measure service can be found after the wardrobes.

Supplier: Möbelwerke Mastershausen GmbH

Quality features

rauch ORANGE +



Interior colour
Colour
Structure grey



22 mm
shelves



Drawers with
base rail,
cushioned self-
closing



EASY
SLIDE

Optional
dampers for
hinged and
gliding doors



Robust
connecting
hardware



Angled
brackets for
firm hold



Sturdy clothes
rails



Inconspic-
uous pattern
of 3 mm drill
holes



The new gua-
rantee of origin
when buying
furniture.



See rauch
ORANGE +
ACCESSORIES
4.0 for robe
accessories.

Timeless
look

Attrac-
tive front
designs

Durable
product
quality

Excellent
furniture
fittings

Special
sizes

Signed and sealed quality

Quality in detail

Wardrobe

Carcase and passepartouts: Easy-care colour surface inside and out
 Front: colour/colour glass
 Lighting: LED lighting (with transformer and foot switch)

Bed

Headboard: Colour surface, colour glass
 Bed frame: Colour surface
 Mattress height: 4-way adjustable
 Lighting: LED lighting

Bedside tables and matching pieces

Carcase: Easy-care colour surface inside and out
 Front: Colour surface
 Drawers: on silent ball-bearing runners, open partially, with cushioned self-closing mechanism

Made-to-measure range:

We can provide made-to-measure solutions on request.

Customised and unique solutions are possible for virtually any room situation.

Material information



Colour

Furniture with colour finish has an evenly attractive, hard-wearing surface. The surfaces are coated with very high-quality, easy-care furniture decor foil.



Load-bearing capacity

The load limits for all furniture and extras can be found in the load table at:

<https://qrco.de/rauch-belastungstabelle>



WOODMAX chipboard

This healthy green-wood chipboard was designed specifically for use in living areas. Our Woodmax chipboard is made only from pollutant-free small-diameter logs and windfall timber from sustainably managed forestry operations in regional woods.

Our natural raw material

Rauch has won various awards for the material used in its boards. Strict tests by impartial institutes consistently confirm that our materials and processes are not harmful to health.

Wardrobe carcass features

Optimum wardrobe dimensions

Take advantage of the maximum possible storage space, achieved thanks to:

Wardrobe widths: 200 - 280 cm
 Height: 223 cm
 Usable depth: 57 cm

Functional and timeless interior design

Enhanced style and elegance in both presentation and inner values:

Interior colours: match the respective carcass colour
 Elegant plinth height: 32 mm visible
 Sturdy shelves: 22 mm thick, with double bevels and bolted angle brackets
 Inconspicuous pattern of drill holes: 3 mm diameter
 Metal runners: with optional cushioning on the doors

Dust protection

Dust brushes on the doors prevent dust penetration.

See **rauch ORANGE + ACCESSORIES 4.0** for robe accessories.

Award-winning and certified



10 years rauch manufacturer's warranty.

Warranty terms and conditions on rauchmoebel.com/garantie and in information enclosed with the product.



Made in Germany

High-quality materials, state-of-the-art technology and perfect workmanship – for more than 120 years the name Rauch has been synonymous with reliable and durable quality furniture, made in Germany.



The certificate of origin labels furniture from Germany that meets strictly defined criteria. Construction, assembly, quality checks and the relevant manufacturing process takes place in Germany.



Sustainability

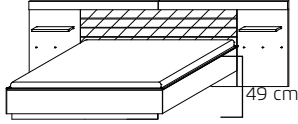
Rauch was awarded the title of "Germany's most sustainable medium-sized company 2014" because we are consistent in pursuing our objective of offering ecologically and socially sustainable furniture at affordable prices..

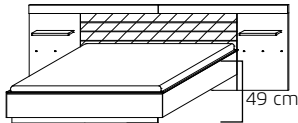


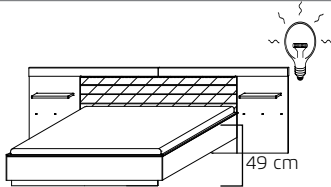
The „Golden M“

The Golden M is a sign that furniture has been tested for quality, safety and healthy living. So you can rest assured that you are buying quality furniture with good, reliable properties

Carcase/Front/Applications	Colour code	PG	Interior colour	Accessories
white matt/App. Matt graphite, Basalt colour glass	Z2400	1	Structure grey	Z3017

BEDS				
Comfort beds with applications and adjustable fittings for mattress height. Headboard with basalt colour glass. Side height: 49 cm.				
without lighting	 <p>Inlet depths slatted frame: Upper edge of bed side to lowest support height - max. 17,6 cm (adjustable in 2,5 cm steps upwards)</p>			
W 160 cm				
W 180 cm				
bed	bed	bed	bed	
160x190 ↔288 cm †102 cm ↗197 cm BG 31	160x210 ↔288 cm †102 cm ↗217 cm BG 33	180x190 ↔308 cm †102 cm ↗197 cm BG 36	180x210 ↔308 cm †102 cm ↗217 cm BG 38	
160x200 ↔288 cm †102 cm ↗207 cm BG 32	160x220 ↔288 cm †102 cm ↗227 cm BG 34	180x200 ↔308 cm †102 cm ↗207 cm BG 37	180x220 ↔308 cm †102 cm ↗227 cm BG 39	
Article	PG	Price	5800	5800

BEDS				
Comfort beds with applications and adjustable fittings for mattress height. Headboard with basalt colour glass. Side height: 49 cm.				
without lighting	 <p>Inlet depths slatted frame: Upper edge of bed side to lowest support height - max. 17,6 cm (adjustable in 2,5 cm steps upwards)</p>			
W 200 cm				
bed	bed			
200x190 ↔328 cm †102 cm ↗197 cm BG 41	200x210 ↔328 cm †102 cm ↗217 cm BG 43			
200x200 ↔328 cm †102 cm ↗207 cm BG 42	200x220 ↔328 cm †102 cm ↗227 cm BG 44			
Article	PG	Price	5800	5800

BEDS				
Comfort beds with applications and headboard lighting. With adjustable fittings for mattress height. Headboard with basalt colour glass. Side height: 49 cm.				
with lighting	 <p>Inlet depths slatted frame: Upper edge of bed side to lowest support height - max. 17,6 cm (adjustable in 2,5 cm steps upwards)</p>			
W 160 cm				
W 180 cm				
bed	bed	bed	bed	
160x190 ↔288 cm †102 cm ↗197 cm BG 31	160x210 ↔288 cm †102 cm ↗217 cm BG 33	180x190 ↔308 cm †102 cm ↗197 cm BG 36	180x210 ↔308 cm †102 cm ↗217 cm BG 38	
160x200 ↔288 cm †102 cm ↗207 cm BG 32	160x220 ↔288 cm †102 cm ↗227 cm BG 34	180x200 ↔308 cm †102 cm ↗207 cm BG 37	180x220 ↔308 cm †102 cm ↗227 cm BG 39	
Article	PG	Price	5801	5801

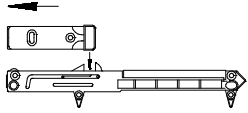
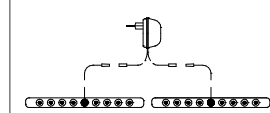
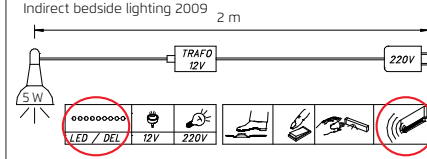
Carcase/Front/Applications	Colour code	PG	Interior colour	Accessories
white matt/App. Matt graphite, Basalt colour glass	Z2400	1	Structure grey	Z3017




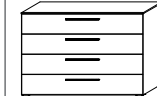
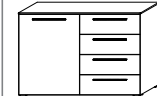
BEDS					
Comfort beds with applications and headboard lighting. With adjustable fittings for mattress height. Headboard with basalt colour glass. Side height: 49 cm.					
with lighting	<p>Inlet depths slatted frame: Upper edge of bed side to lowest support height - max. 17,6 cm (adjustable in 2,5 cm steps upwards)</p>			<p>This product contains a light source of the energy efficiency class E. EPREL 766774</p>	
W 200 cm					
	bed	bed			
	200x190 ↔328 cm †102 cm ↗197 cm BG 41	200x210 ↔328 cm †102 cm ↗217 cm BG 43			
	200x200 ↔328 cm †102 cm ↗207 cm BG 42	200x220 ↔328 cm †102 cm ↗227 cm BG 44			
Article	PG	Price	5801	5801	


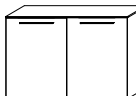

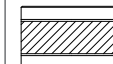
BEDS				
Plinth drawers in application colour, Set of 2 on castors, incl. plinth panels				
W 160 cm W 180 cm				
	plinth drawer	plinth drawer		plinth drawer
	160x190 BG 31	160x210 BG 33		180x190 BG 36
	160x200 BG 32	160x220 BG 34		180x200 BG 37
Article	PG	Price	0370	0370

BEDS				
Plinth drawers in application colour, Set of 2 on castors, incl. plinth panels				
W 200 cm				
	plinth drawer	plinth drawer		
	200x190 BG 41	200x210 BG 43		
	200x200 BG 42	200x220 BG 44		
Article	PG	Price	0370	0370


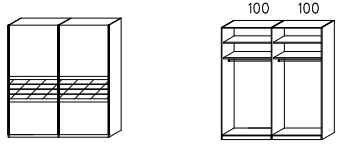
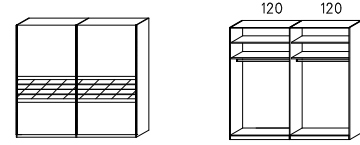
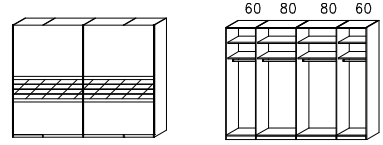

Carcase/Front/Applications	Colour code	PG	Interior colour	Accessories
white matt/App. Matt graphite, Basalt colour glass	Z2400	1	Structure grey	Z3017

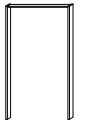
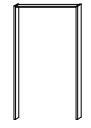

BEDS		Extras for beds		
		Please order using colour code Z3017 	Please order using colour code Z3017 Not in connection with plinth drawers! 	Indirect bedside lighting 2009 2 m 
		bed drawer damper	set of 2 LED lights	This product contains a light source of the energy efficiency class G.
		set of 2	indirect bedside lighting with motion sensor	
		↔2 cm ↓1 cm ↗15 cm	↔2 cm ↓3 cm ↗28 cm	
Article	PG	Price	2200	2009

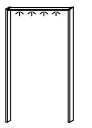
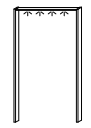
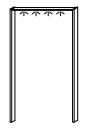
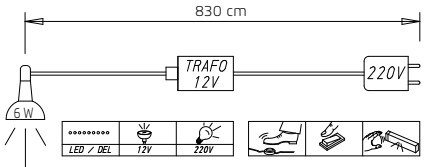
MATCHING PIECES		Top in contrast colour				
						
	bedside tables, pair for hanging	chest	chest	chest		
	1 drawer	4 drawers	4 drawers	1-door, hinged left, 4 drawers		
	↔61 cm ↓23 cm ↗41 cm	↔61 cm ↓84 cm ↗41 cm	↔121 cm ↓84 cm ↗41 cm	↔121 cm ↓84 cm ↗41 cm		
Article	PG	Price	N800	B800	B801	B803

MATCHING PIECES		Top in contrast colour			
					
	chest	chest	wall mirror		
	2-door	2-door, 4 drawers			
	↔121 cm ↓84 cm ↗41 cm	↔182 cm ↓84 cm ↗41 cm	↔120 cm ↓55 cm ↗2 cm		
Article	PG	Price	B804	B807	0838

Carcase/Front/Applications	Colour code	PG	Interior colour	Accessories
white matt/App. Matt graphite, Basalt colour glass	Z2400	1	Structure grey	Z3017

WARDROBES						
Basalt colour glass inlay panel framed in application colour. Handle strips in application colour.						
<p>See rauch ORANGE + ACCESSORIES 4.0 for robe accessories.</p> 				<p>Please order using colour code Z3017</p> 		
	sliding door wardrobe	sliding door wardrobe	sliding door wardrobe	set of 2 dampers for sliding wardrobes EASY SLIDE		
	2-door, Inlay panel in colour glass	2-door, Inlay panel in colour glass	2-door, Inlay panel in colour glass	of 2-4 door sliding door wardrobes		
	↔200 cm †223 cm ↗68 cm	↔239 cm †223 cm ↗68 cm	↔280 cm †223 cm ↗68 cm	↔5 cm †2 cm ↗27 cm		
Article	PG	Price	20SW	22SW	24SW	2182

PASSEPARTOUT					
for sliding door robes, in application colour					
without lighting					
	passepartout	passepartout	passepartout		
	for sliding wardrobe 200cm	for sliding wardrobe 240cm	for sliding wardrobe 280cm		
	↔212 cm †227 cm ↗71 cm	↔250 cm †227 cm ↗71 cm	↔292 cm †227 cm ↗71 cm		
Article	PG	Price	3100	3102	3105

PASSEPARTOUT					
for sliding door robes, in application colour					
with lighting					
	passepartout	passepartout	passepartout		
	with lighting, for sliding wardrobe 200cm	with lighting, for sliding wardrobe 240cm	with lighting, for sliding wardrobe 280cm		
	↔212 cm †227 cm ↗71 cm	↔250 cm †227 cm ↗71 cm	↔292 cm †227 cm ↗71 cm		
Article	PG	Price	3110	3112	3115

Carcase/Front/Applications	Colour code	PG	Interior colour	Accessories
white matt/App. Matt graphite, Basalt colour glass	Z2400	1	Structure grey	Z3017

MADE-TO-MEASURE		APN No.	Price
Sliding door wardrobe	Shorten depth, 20SW and 22SW	302	
	Shorten depth, 24SW	304	
	Shorten height, 20SW and 22SW	680	
	Shorten height, 24SW	682	
	Angled to the rear, 20SW and 22SW (to a max. 35 cm from rear edge)	172	
	Angled to the rear, 24SW (to a max. 35 cm from rear edge)	174	
Passepartout	Back angle (notch for fireplace)	160	
	Shorten height of passepartout	130	
Bed combination	Shorten width of bed with or without lighting in bedside table panel (by max. 16 cm per side), without bedside tables!	267	
	Shorten height of headboard by 10 cm (fixed measurement), only for beds without lighting (involves removal of top horizontal profile)	238	
Bedside cupboard/Panels	Bedside table set width shortening (max. 16 cm per bedside table)	2x 242	
Cupboards	Narrow cupboards width shortening (max. by 15 cm)	246	
	Wide cupboards width shortening (max. by 30 cm)	246	
	2-door cupboard width shortening (on both sides max. by 30 cm, or shortened to 1 door)	248	
	Cupboard/drawer unit width shortening in drawer area (max. 15 cm)	246	
	Cupboard/drawer unit width shortening in cupboard area (max. 15 cm)	248	
	Combi cupboard width shortening, (on both sides, by max. 30 cm)	248	
Other	Shorten the height of all cupboards (cupboards with drawers: by whole drawers only)	250	
	Fascia material, colour finished on both sides, 16 mm thick, max. 235.2 x 58.6 cm (min. 10 cm cutting width) per sqm	260	

More made-to-measure options are available on request! Technical department telephone number: **Silke Steffen** 06545 81-821