

ACCESSORIES 1.0

rauch BLACK

for hinged/sliding door wardrobes
Element width 50, 60, 80, 90, 100, 120 cm



Interior colour	Colour code
Oldenburg beech colour	Z3010
Structure grey	Z3011



Oldenburg beech colour



Structure grey

Supplier: Möbelwerke Mastershausen GmbH

ACCESSORIES 1.0

rauch BLACK

for hinged/sliding door wardrobes

Element width 50, 60, 80, 90, 100, 120 cm

Purchase Price List
Prices = invoice prices in Euro

17.02.2023 SB
valid from 01.04.2023 until revoked



Interior colour	Colour code	PG
Oldenburg beech colour	Z3010	1
Structure grey	Z3011	1

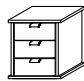
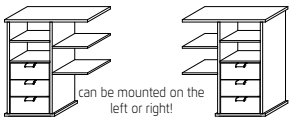
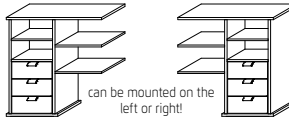
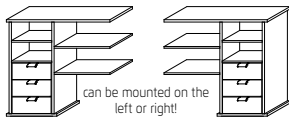
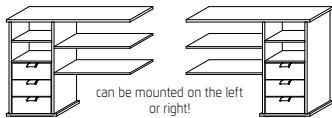
ACCESSORIES			Shelves					
			50	60	80	90	100	120
			Shelves for unit width 50cm ↔48 cm †2,2 cm ↗50 cm	Shelves for unit width 60cm ↔58 cm †2,2 cm ↗50 cm	Shelves for unit width 80cm ↔78 cm †2,2 cm ↗50 cm	Shelves for unit width 90cm ↔88 cm †2,2 cm ↗50 cm	Shelves for unit width 100cm ↔98 cm †2,2 cm ↗50 cm	Shelves for unit width 120 c ↔117 cm †2,2 cm ↗50 cm
Article	PG	Price	2055	2056	2057	2170	2058	2059
Sets of 3	PG	Price	2155	2156	2157	2171	2158	

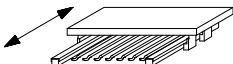
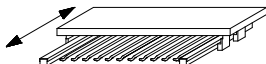
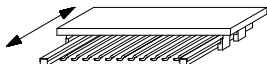
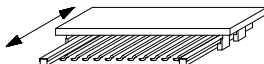
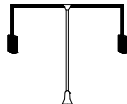
2159

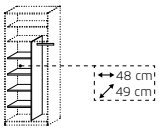
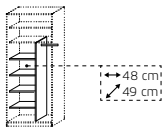
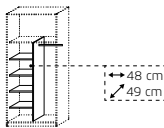
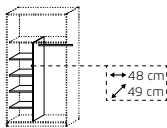
ACCESSORIES			Clothes rails					
			50	60	80	90	100	120
			hanging rail for unit width 50cm ↔47 cm †3 cm ↗2 cm	hanging rail for unit width 60cm ↔57 cm †3 cm ↗2 cm	hanging rail for unit width 80cm ↔77 cm †3 cm ↗2 cm	hanging rail for unit width 90cm ↔87 cm †3 cm ↗2 cm	hanging rail for unit width 100cm ↔97 cm †3 cm ↗2 cm	hanging rail for unit width 120 c ↔116 cm †3 cm ↗2 cm
Article	PG	Price	2011	2012	2017	2172	2013	2014

ACCESSORIES			Drawer unit					
			50	60	80	90	100	120
All drawers are fitted with base rails and a cushioned self-closing mechanism.								
			interior drawer with 3 drawers for unit width 50cm ↔48 cm †53 cm ↗50 cm	interior drawer with 3 drawers for unit width 60cm ↔58 cm †53 cm ↗50 cm	interior drawer with 3 drawers for unit width 80cm ↔79 cm †53 cm ↗50 cm	interior drawer with 3 drawers for unit width 90cm ↔88 cm †53 cm ↗50 cm	interior drawer with 3 drawers for unit width 100cm ↔98 cm †53 cm ↗50 cm	interior drawer with 3 drawers for unit width 120 c ↔117 cm †53 cm ↗50 cm
			Article	PG	Price	2070	2071	2069

Interior colour	Colour code	PG
Oldenburg beech colour	Z3010	1
Structure grey	Z3011	1

ACCESSORIES			Drawer unit				
All drawers are fitted with base rails and a cushioned self-closing mechanism.			80	90	100	120	Suitable for all widths. 
							
			interior drawer with 3 drawers with 3 shelves for unit width 80cm ↔79 cm †94 cm ↗50 cm	interior drawer with 3 drawers with 3 shelves for unit width 90cm ↔88 cm †94 cm ↗50 cm	interior drawer with 3 drawers with 3 shelves for unit width 100cm ↔98 cm †94 cm ↗50 cm	interior drawer with 3 drawers with 3 shelves for unit width 120 c ↔117 cm †94 cm ↗50 cm	
	Article	PG	Price	2078	2174	2079	

ACCESSORIES			Trousers pull-outs				clothes lift
			80	90	100	120	80 100 120
			9 bars 	13 bars 	13 bars 	17 bars 	 Max. load: 10 kg Only suitable for hinged door robes.
			trouser pull-out with 1 shelf for unit width 80cm ↔79 cm †11 cm ↗50 cm	trouser pull-out with 1 shelf for unit width 90cm ↔88 cm †11 cm ↗50 cm	trouser pull-out with 1 shelf for unit width 100cm ↔98 cm †11 cm ↗50 cm	trouser pull-out with 1 shelf for unit width 120 c ↔117 cm †11 cm ↗50 cm	clothes lift ↔98 cm †120 cm ↗14 cm
Article	PG	Price	2082	2176	2083	2084	2120

ACCESSORIES			Interior division „TYPE 1“			
can be mounted on the left or right			80	90	100	120
						
			wardrobe interior division Type 1 with clothes rail with 4 shelves for unit width 80cm ↔79 cm †156 cm ↗49 cm	wardrobe interior division Type 1 with clothes rail with 4 shelves for unit width 90cm ↔88 cm †156 cm ↗49 cm	wardrobe interior division Type 1 with clothes rail with 4 shelves for unit width 100cm ↔98 cm †156 cm ↗49 cm	wardrobe interior division Type 1 with clothes rail with 4 shelves for unit width 120 c ↔117 cm †156 cm ↗49 cm
	Article	PG	Price	2049	2175	2050

ACCESSORIES 1.0

rauch BLACK

for hinged/sliding door wardrobes

Element width 80, 90, 100, 120 cm

Purchase Price List
Prices = invoice prices in Euro

17.02.2023 SB
valid from 01.04.2023 until revoked







Interior colour	Colour code	PG
Oldenburg beech colour	Z3010	1
Structure grey	Z3011	1


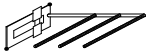
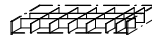
ACCESSORIES			Interior division „TYPE 2“			
can be mounted on the left or right	80	90	100	120		
	wardrobe interior division Type 2	wardrobe interior division Type 2	wardrobe interior division Type 2	wardrobe interior division Type 2		
	incl. 4 fabric boxes with 3 shelves for unit 80	incl. 4 fabric boxes with 3 shelves for unit width 90cm	incl. 4 fabric boxes with 3 shelves for unit width 100cm	incl. 4 fabric boxes with 3 shelves for unit width 120 c		
	↔79 cm †156 cm ↗49 cm	↔88 cm †156 cm ↗49 cm	↔98 cm †156 cm ↗49 cm	↔117 cm †156 cm ↗49 cm		
Article	PG	Price	2138	2139	2140	2141



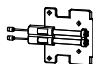
ACCESSORIES			Interior division „TYPE 3“		Interior division „TYPE 4“	
	100	120	100	120		
	wardrobe interior division Type 3	wardrobe interior division Type 3	wardrobe interior division Type 4	wardrobe interior division Type 4		
	3 drawers, 3 Clothes rails, Element width 100	3 drawers, 3 Clothes rails, Element width 120	3 drawers, 3 Shelf, 2 Clothes rails, Width 100	3 drawers, 3 Shelf, 2 Clothes rails, Width 120		
	↔98 cm †156 cm ↗49 cm	↔117 cm †156 cm ↗49 cm	↔98 cm †156 cm ↗49 cm	↔117 cm †156 cm ↗49 cm		
Article	PG	Price	2142	2143	2144	2145

ACCESSORIES			Interior division „TYPE 5“			
can be mounted on the left or right	100	120				
	wardrobe interior division Type 5	wardrobe interior division Type 5				
	3 drawers, 7 Shelf, 1 Clothes rail, Width 100	3 drawers, 7 Shelf, 1 Clothes rail, Width 120				
	↔98 cm †156 cm ↗49 cm	↔117 cm †156 cm ↗49 cm				
Article	PG	Price	2146	2147		

Interior colour	Colour code	PG
Oldenburg beech colour	Z3010	1
Structure grey	Z3011	1

ACCESSORIES						
	<p>Suitable for all widths. for short (split) hinged doors</p> 	<p>Suitable for all widths. for long hinged doors</p> 	<p>Suitable for all widths. For hinged doors with inlay panel/horizontal handle</p> 			
	interior mirror	interior mirror	interior mirror	coat hanger rail		
	↔28 cm ↕128 cm ↗1 cm	↔30 cm ↕160 cm ↗1 cm	↔30 cm ↕150 cm ↗1 cm	↔27 cm ↕51 cm ↗7 cm		
Article	PG	Price	2117	2118	2119	2001

ACCESSORIES				Cupboard extras	
					
	tie rack	trouser holder		drawer division	
	↔33 cm ↕33 cm	↔25 cm ↕10 cm ↗46 cm		plexiglass for drawer 120 cm	
Article	PG	Price	0003	0007	2148

ACCESSORIES				Door dampers rauch EASY SLIDE	
		<p>Installation not possible on wardrobes with front lighting.</p> 	<p>Installation not possible on wardrobes with front lighting.</p> 		
	set of 2 dampers for sliding wardrobes EASY SLIDE	damper for middle door EASY SLIDE	Collision dampers EASY SLIDE		
	of 2-4 door sliding door wardrobes	of 3 door Sliding door wardrobes	of 2 door Sliding door wardrobes		
	↔5 cm ↕2 cm ↗27 cm	↔4 cm ↕2 cm ↗28 cm	↔6 cm ↕11 cm ↗11 cm		
Article	PG	Price	2182	2183	2180

ACCESSORIES 1.0

rauch BLACK

for hinged/sliding door wardrobes

General

Purchase Price List
Prices = invoice prices in Euro

17.02.2023 SB
valid from 01.04.2023 until revoked




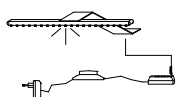
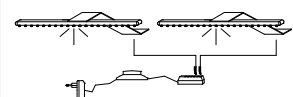
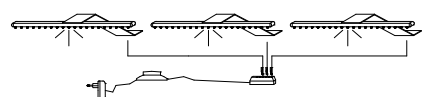
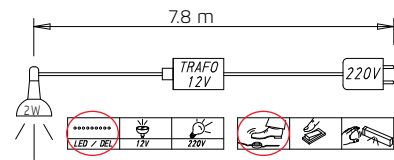
Interior colour	Colour code	PG
Oldenburg beech colour	Z3010	1
Structure grey	Z3011	1


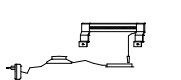
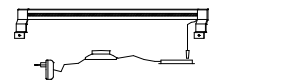
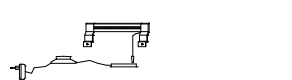
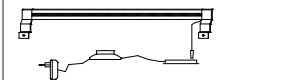
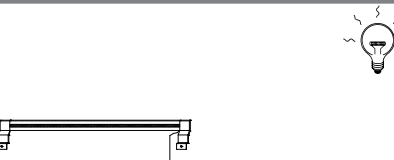
ACCESSORIES					
for angled elements and corner robes	Not for Casante modell			Only to be mounted in conjunction with a laundry shelf!	
	shelf	1 shelf	1 shelf	hanging rail	utensil rack
	angled	for corner robe 45°	for corner robe 90°	set of 2 for corner robe 90°	for corner robe 45°
	↔45 cm ↓2,2 cm ↗50 cm	↔98 cm ↓2,2 cm ↗50 cm	↔111 cm ↓2,2 cm ↗111 cm	↔3 cm ↓85 cm ↗85 cm	↔34 cm ↓85 cm ↗13 cm
Article	PG	Price	2052	2053	2054
				2018	0008


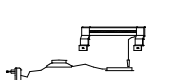
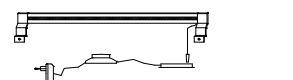
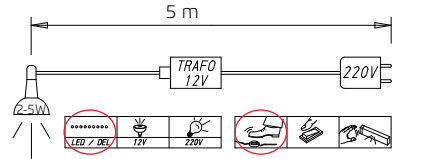

ACCESSORIES						
Interior lighting						
Can be fitted to top shelf, 1st or 2nd shelf. Attention when combining with interior divider type 1 - type 5, do not mount on 2nd shelf.	50	60	80	90	100	120
	interior lights	interior lights	interior lights	interior lights	interior lights	interior lights
	for unit width 50cm	for unit width 60cm	for unit width 80cm	for unit width 90cm	for unit width 100cm	for unit width 120 cm
	↔3 cm ↓2 cm ↗50 cm	↔3 cm ↓2 cm ↗60 cm	↔3 cm ↓2 cm ↗80 cm	↔3 cm ↓2 cm ↗80 cm	↔3 cm ↓2 cm ↗100 cm	↔3 cm ↓2 cm ↗120 cm
Article	PG	Price	2060	2062	2063	2178
				2061	2064	

ACCESSORIES						
Interior lighting						
		Int. light. Art. 0067				LED-Leuchte 2er Set 0062 + 0063 This product contains a light source of the energy efficiency class G.
		Int. light. Art. 2060-2064				
	interior lights		set of 2 LED lights, White	set of 2 LED lights, Black		
	with motion sensor		for bed	for bed		
	↔10 cm ↓2 cm ↗10 cm		↔5 cm ↓1,5 cm	↔5 cm ↓1,5 cm		
Article	PG	Price	0067	0062	0063	

Interior colour	Colour code	PG
Oldenburg beech colour	Z3010	1
Structure grey	Z3011	1

ACCESSORIES		Lighting mounted on the wardrobe			
<p>* Note: not suitable for sliding door wardrobes</p> 	<p>*</p> 	<p>*</p> 	<p>*</p> 	 <p>This product contains a light source of the energy efficiency class G.</p> <p>EPREL 766530</p>	
	set of 1 LED light	set of 2 LED lights	set of 3 LED lights		
	aluminium Carree*	aluminium Carree*	aluminium Carree*		
	↔16 cm ↓4 cm ↗33 cm	↔16 cm ↓4 cm ↗33 cm	↔16 cm ↓4 cm ↗33 cm		
Article	PG	Price	2191	2192	2193

ACCESSORIES		Lighting mounted on the wardrobe				
						
	set of 1 LED light	set of 1 LED light	set of 1 LED light	set of 1 LED light		
	chrome Linea 50	chrome Linea 100	aluminium Linea 50	aluminium Linea 100		
	↔50 cm ↓7 cm ↗14 cm	↔100 cm ↓7 cm ↗14 cm	↔50 cm ↓7 cm ↗14 cm	↔100 cm ↓7 cm ↗14 cm		
Article	PG	Price	1266	1267	1264	1265

ACCESSORIES		Lighting mounted on the wardrobe		
				 <p>This product contains a light source of the energy efficiency class E.</p> <p>EPREL 766774</p>
	set of 1 LED light	set of 1 LED light		
	black Linea 50	black Linea 100		
	↔50 cm ↓7 cm ↗14 cm	↔100 cm ↓7 cm ↗14 cm		
Article	PG	Price	1262	1263

ACCESSORIES 1.0

rauch BLACK

for beds



General



Purchase Price List
Prices = invoice prices in Euro

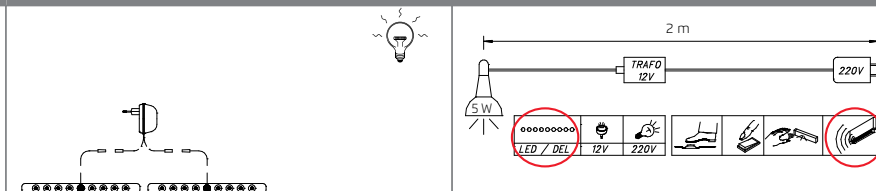
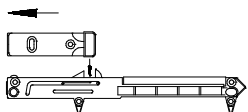
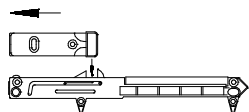
17.02.2023 SB
valid from 01.04.2023 until revoked

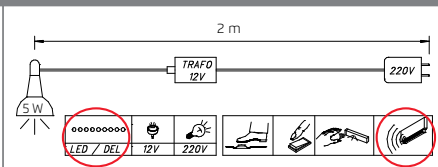


Interior colour	Colour code	PG
Oldenburg beech colour	Z3010	1
Structure grey	Z3011	1

ACCESSORIES		Suitable for all beds, Width 70 cm	
<p>Clip-on padding is attached to the upper edge of the sides of the bed.</p> <p>Faux leather in a choice of basalt or cream.</p>			
	bed edge padding	bed edge padding	
	basalt faux leather	cream faux leather	
	↔7 cm ↓8 cm ↗70 cm	↔7 cm ↓8 cm ↗70 cm	
Article	PG	Price	9030
			9038

ACCESSORIES		Suitable for all beds, Width 130 cm	
<p>Clip-on padding is attached to the upper edge of the sides of the bed.</p> <p>Faux leather in a choice of basalt or cream.</p>			
	bed edge padding	bed edge padding	
	basalt faux leather	cream faux leather	
	↔7 cm ↓8 cm ↗130 cm	↔7 cm ↓8 cm ↗130 cm	
Article	PG	Price	9035
			9039

ACCESSORIES		Dampers for drawers	Lighting for beds
for beds	for single beds	for double beds	
			
	bed drawer damper	bed drawer damper	set of 2 LED lights
	↔2 cm ↓1 cm ↗15 cm	↔2 cm ↓1 cm ↗15 cm	indirect bedside lighting with motion sensor
Article	PG	Price	2201
			2200
			2009



This product contains a light source of the energy efficiency class G.