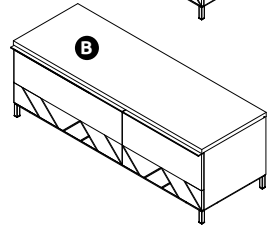
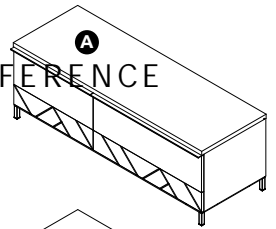
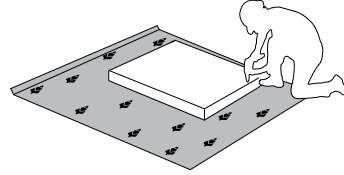
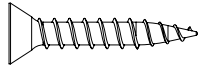
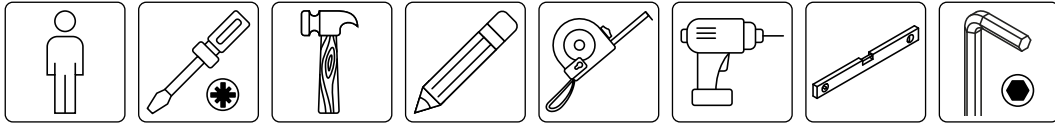


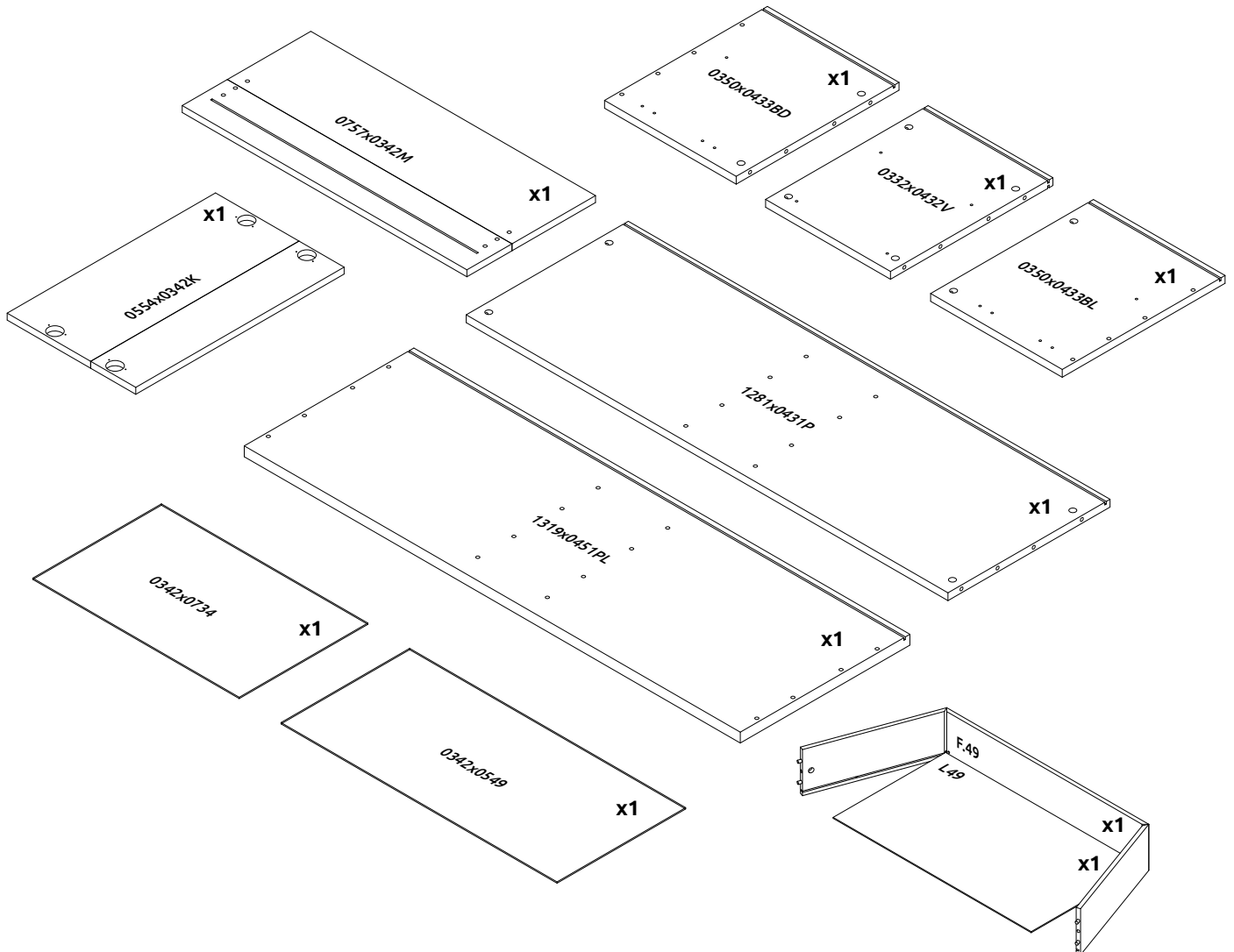


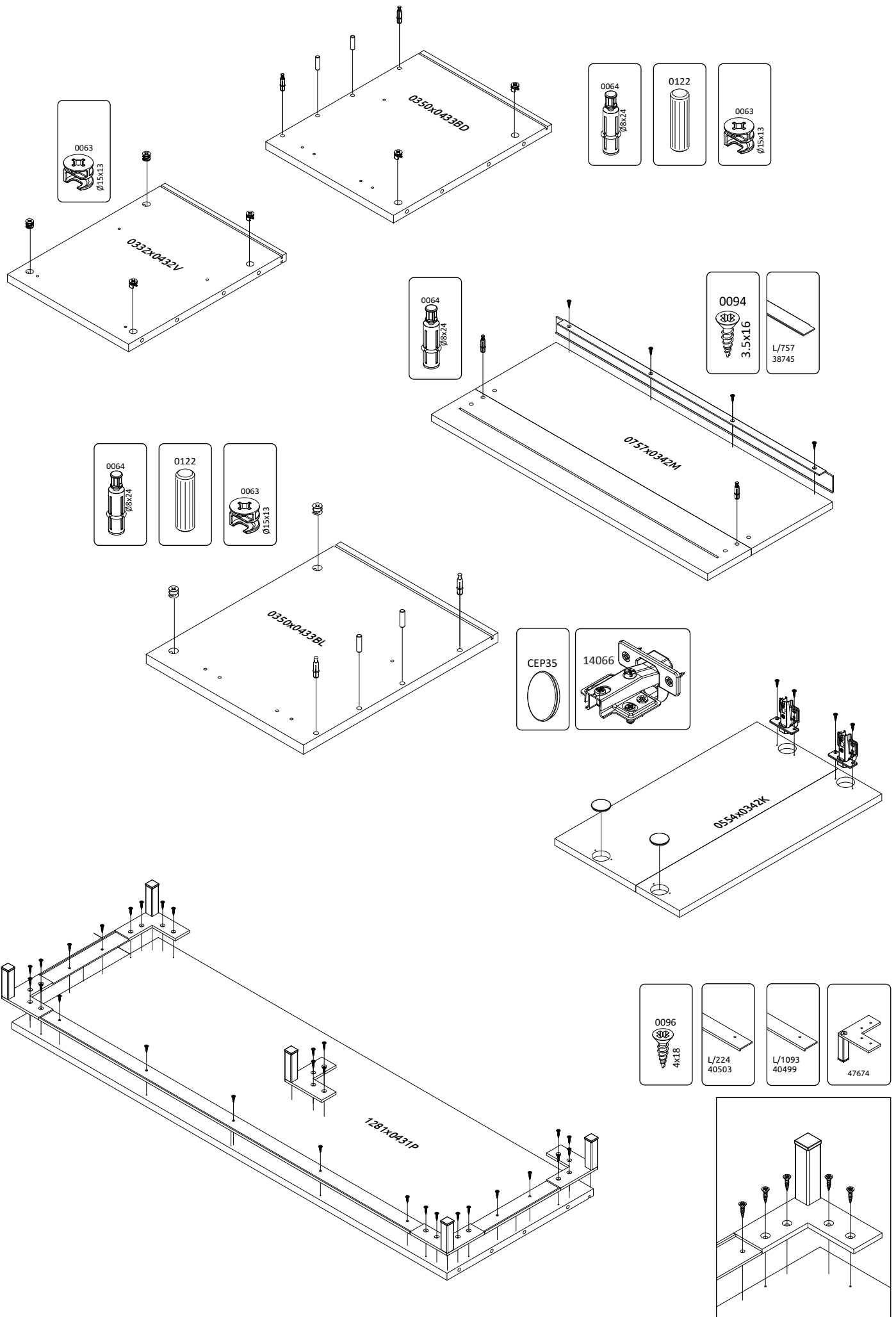
IMPORTANT - READ CAREFULLY - RETAIN FOR FUTURE REFERENCE  
WICHTIG - SORGFÄLTIG LESEN UND AUFBEWAHREN

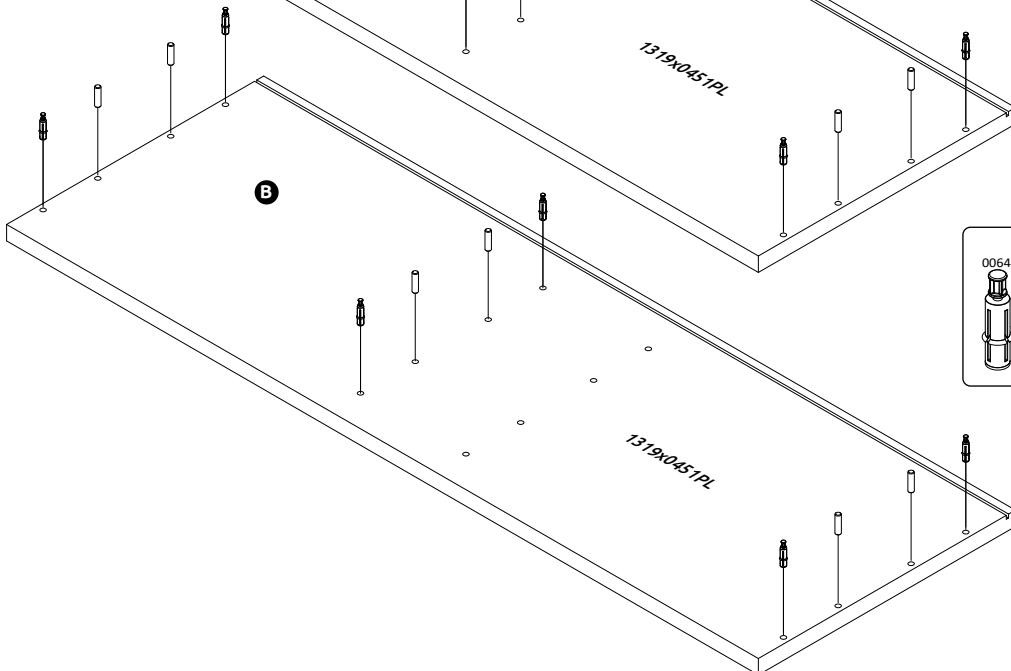
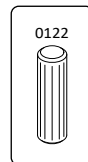
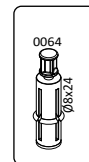
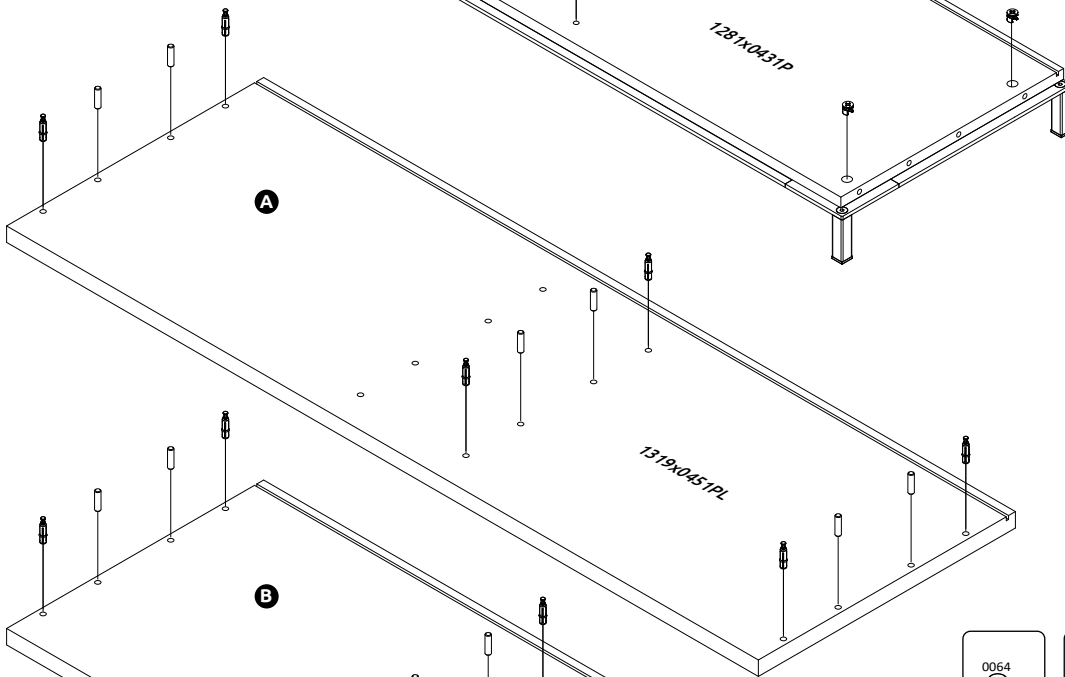
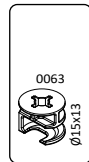
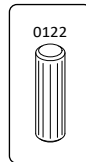
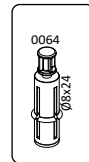
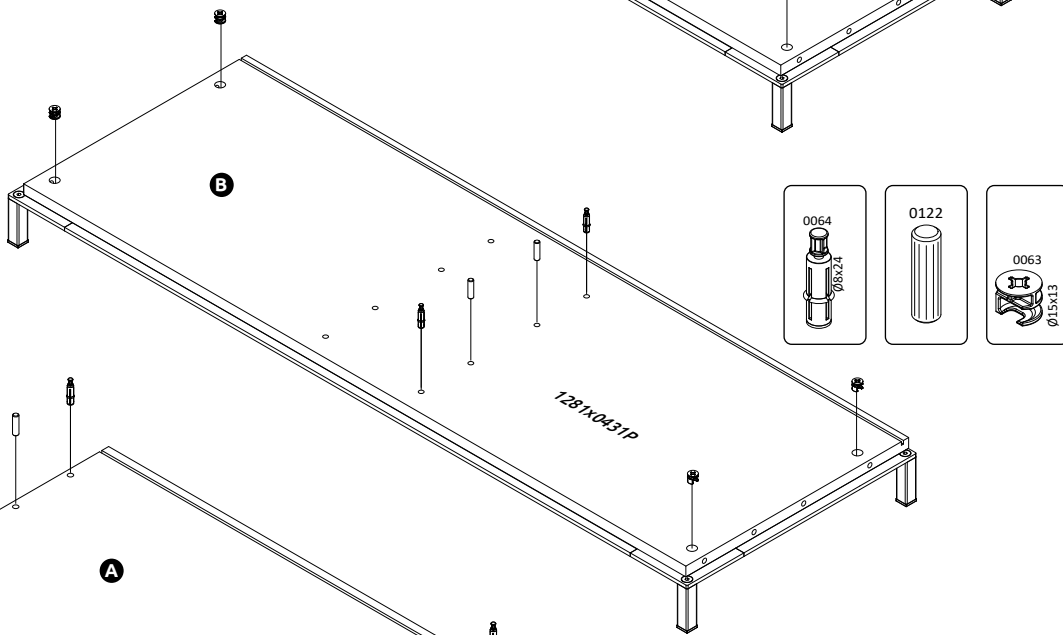
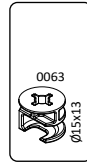
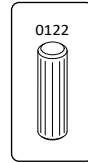
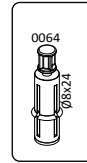
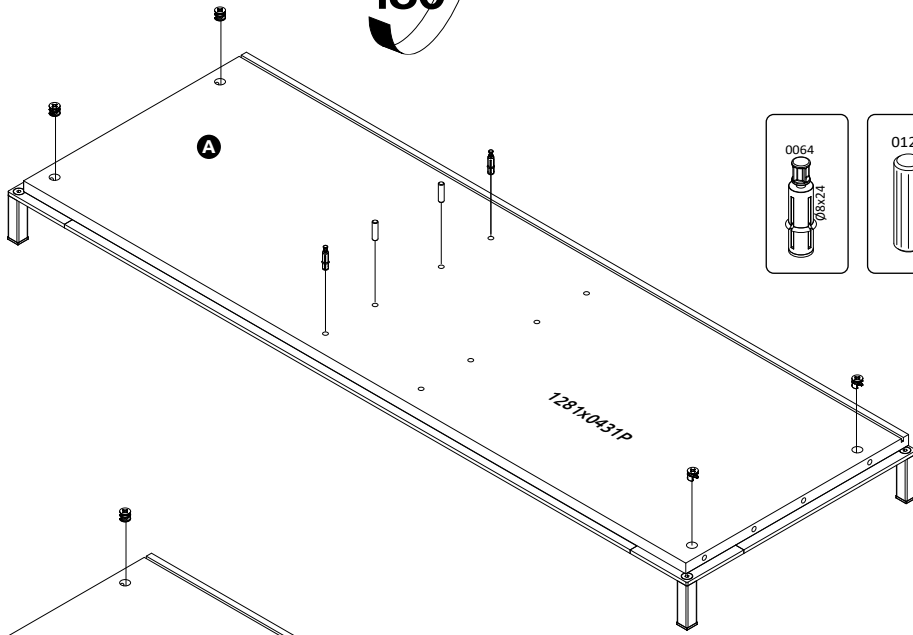
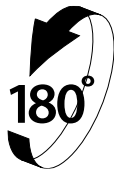


**TV130-1K1F/AV**  
LWH - 1319x451x455

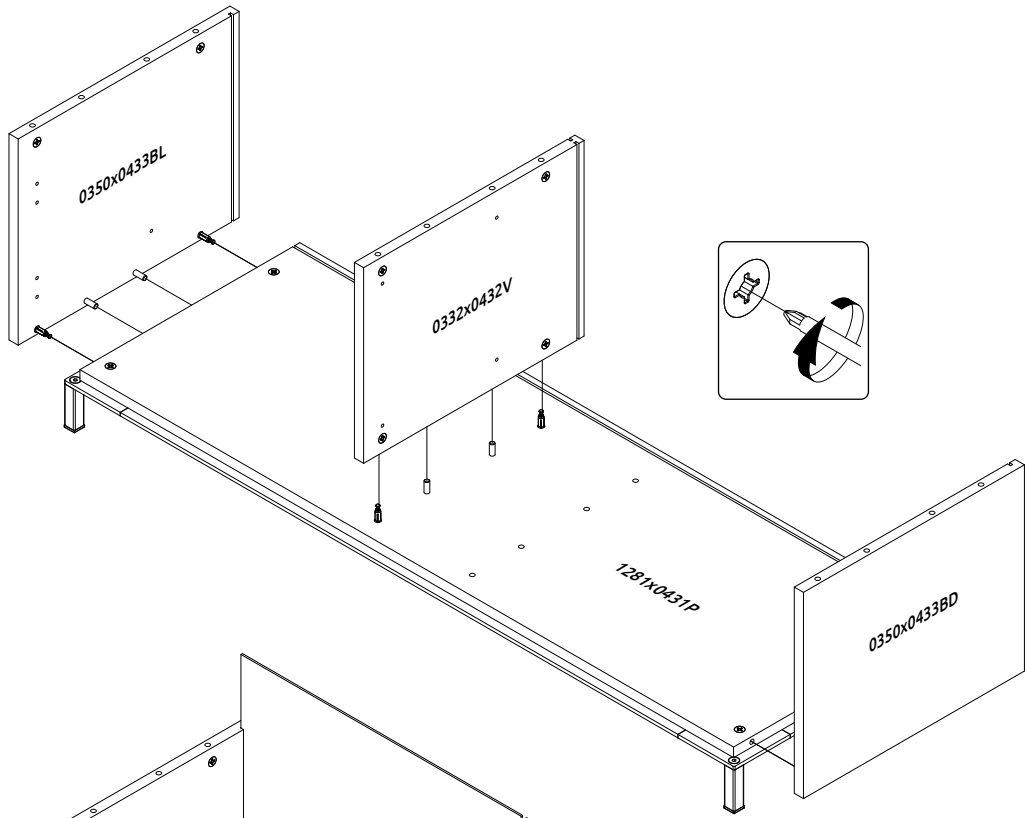
|                              |                              |                            |                            |                              |                    |                             |                              |                             |                              |                        |                    |                    |                    |
|------------------------------|------------------------------|----------------------------|----------------------------|------------------------------|--------------------|-----------------------------|------------------------------|-----------------------------|------------------------------|------------------------|--------------------|--------------------|--------------------|
| <b>x20</b><br>0094<br>3.5x16 | <b>x12</b><br>0095<br>3.5x20 | <b>x4</b><br>102<br>6.3x13 | <b>x30</b><br>0096<br>4x18 | <b>x14</b><br>0064<br>1/8x24 | <b>x12</b><br>0122 | <b>x2</b><br>0065<br>Ø15x10 | <b>x12</b><br>0063<br>Ø15x13 | <b>x2</b><br>10359<br>3x12  | <b>x2</b><br>EKSK            | <b>x2</b><br>EKSK4-TEX | <b>x12</b><br>0108 | <b>x2</b><br>CEP35 | <b>x5</b><br>47674 |
| <b>x1</b><br>0113<br>GLUE    | <b>x1</b><br>6319            | <b>x4</b><br>EKSK4-BE      | <b>x1</b><br>14080         | <b>x2</b><br>14066           | <b>x1</b><br>4237  | <b>x1</b><br>L/554<br>38709 | <b>x1</b><br>L/757<br>38745  | <b>x2</b><br>L/224<br>40503 | <b>x1</b><br>L/1093<br>40499 | <b>x4</b><br>EKSK4-NE  |                    |                    |                    |



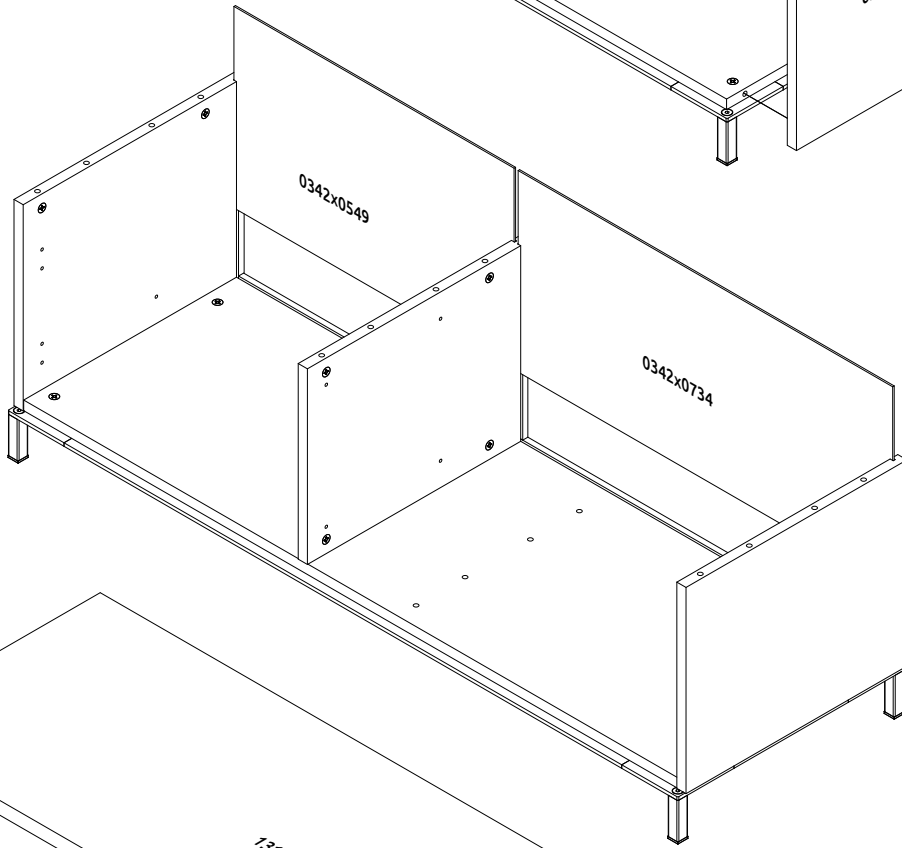




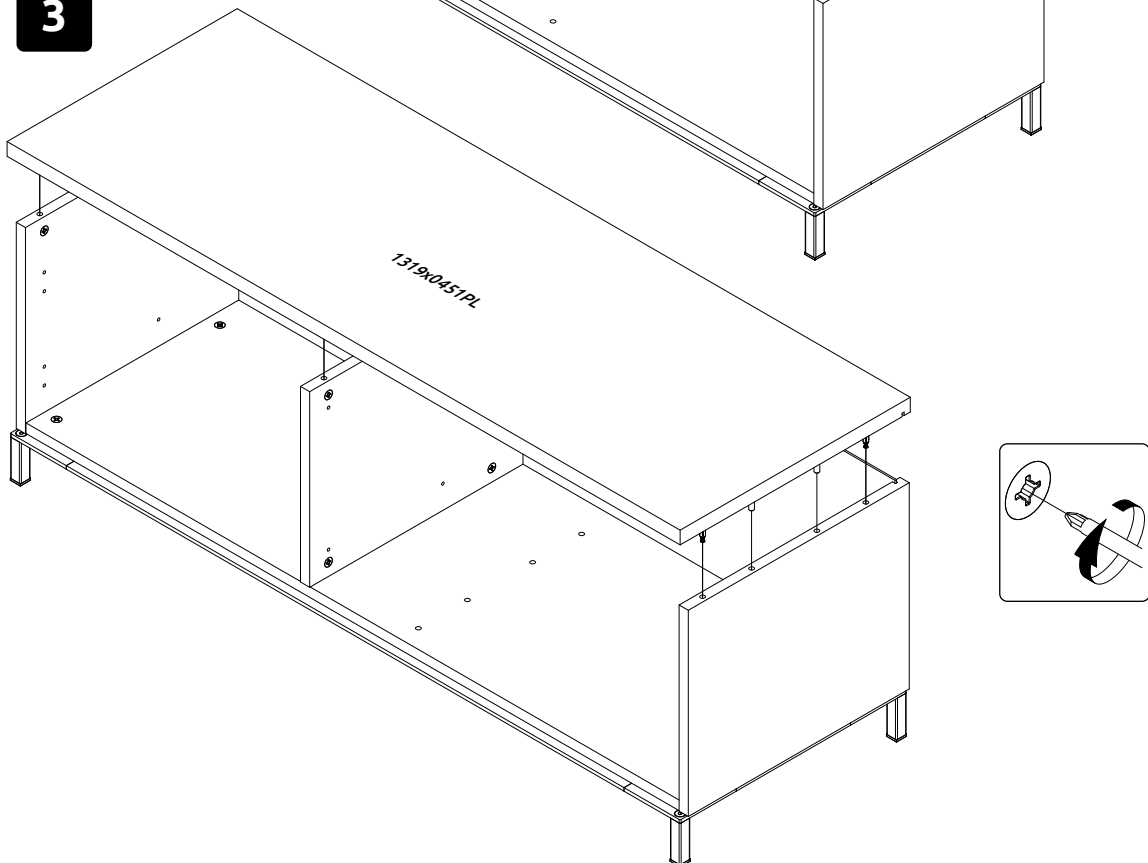
1



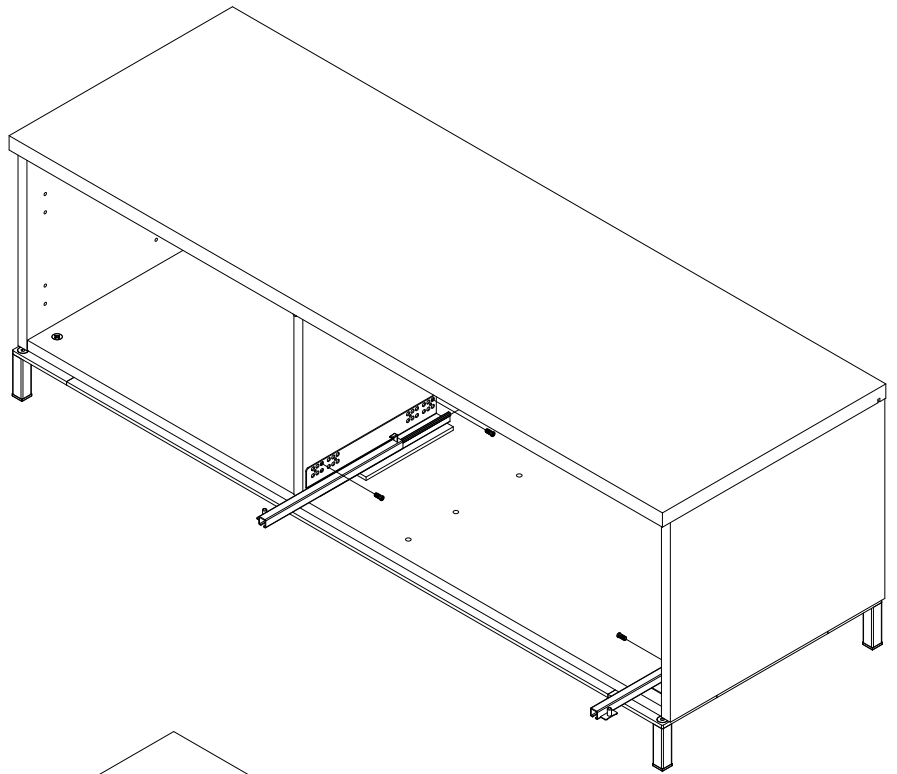
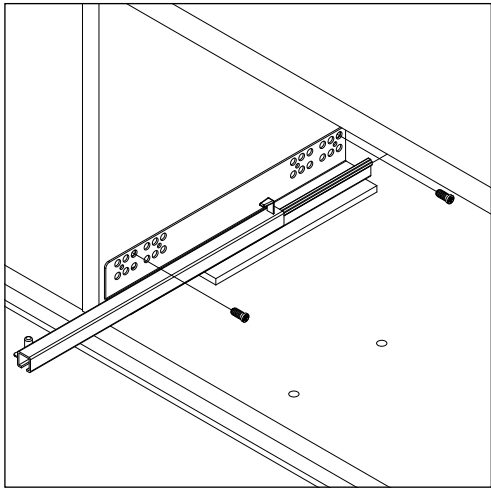
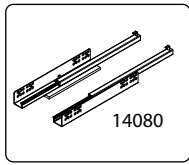
2



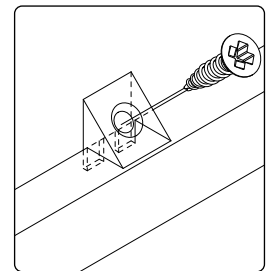
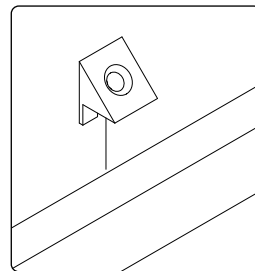
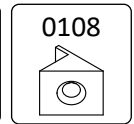
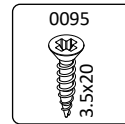
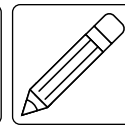
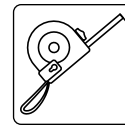
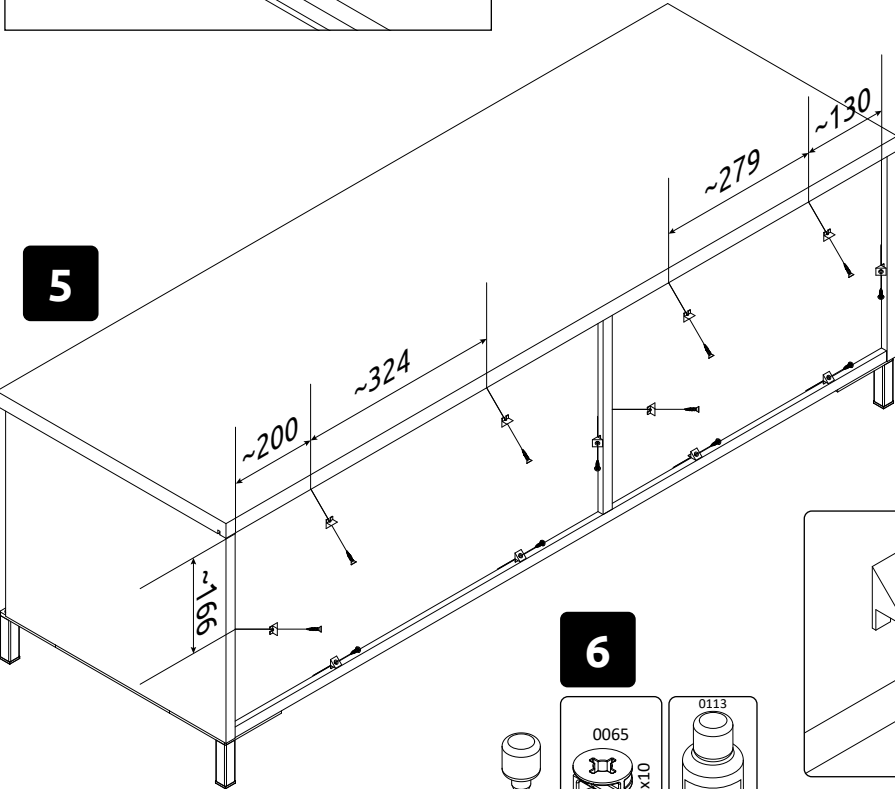
3



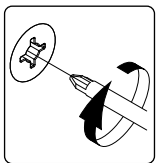
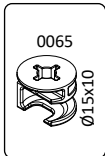
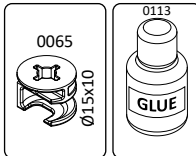
**4**



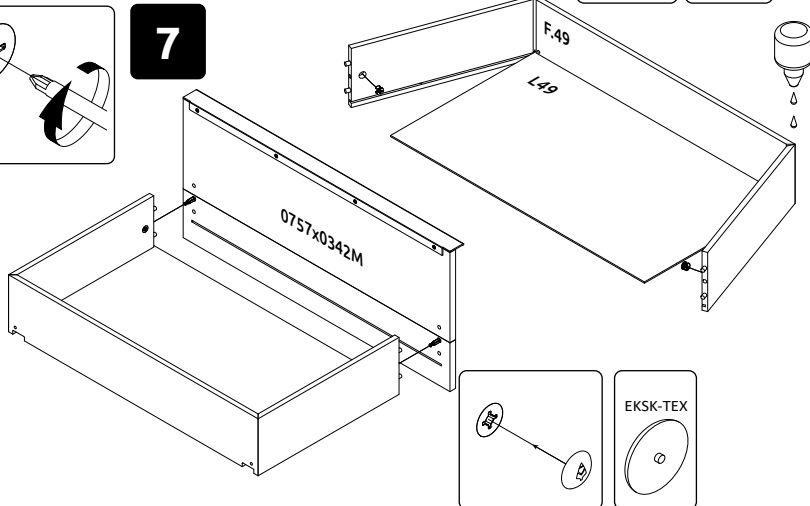
**5**



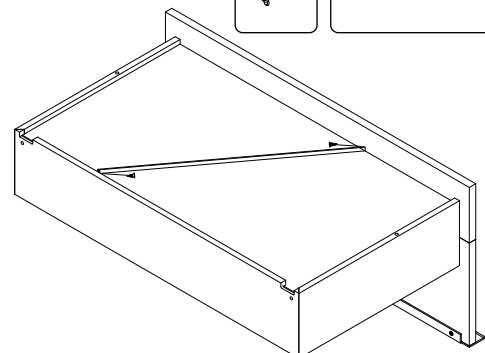
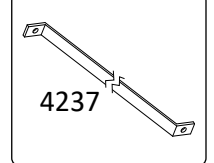
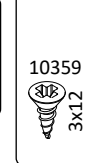
**6**

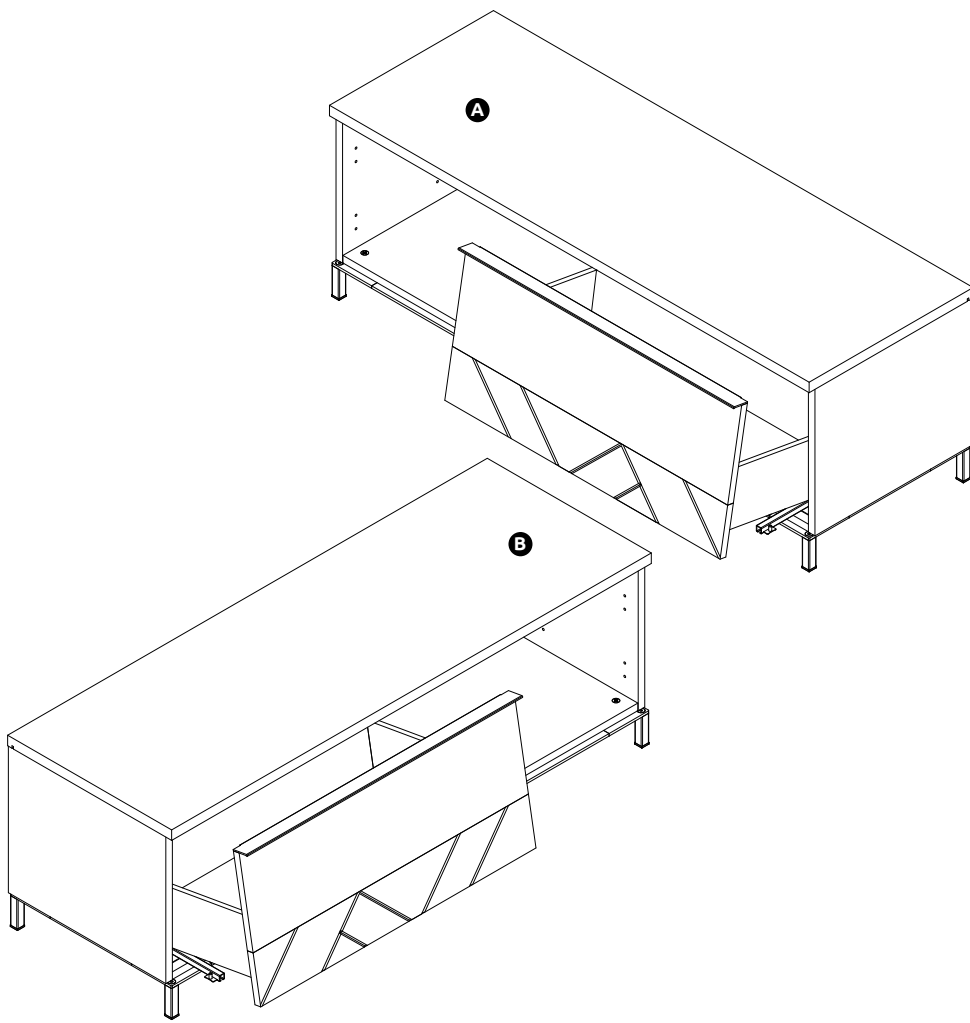


**7**

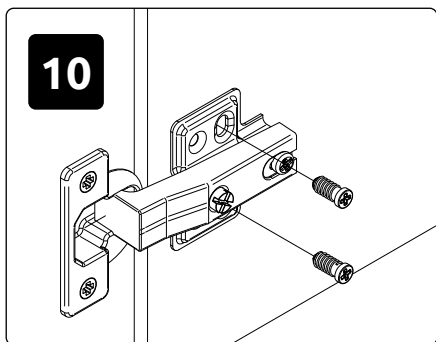
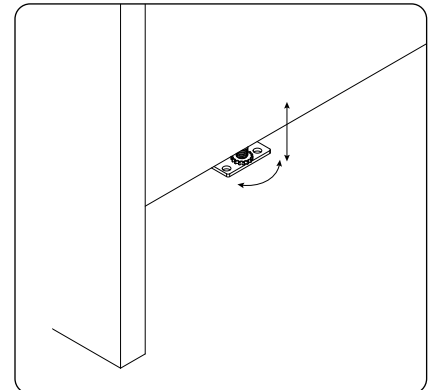
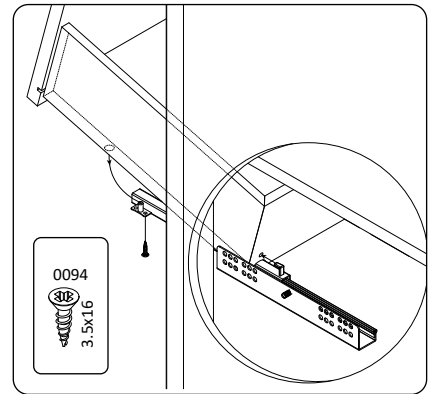


**8**

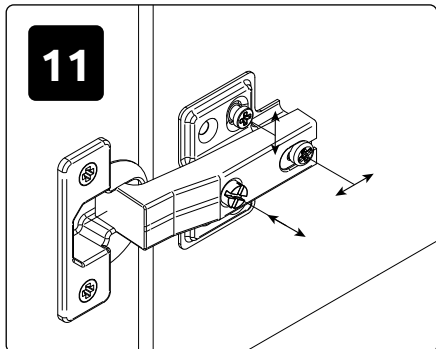
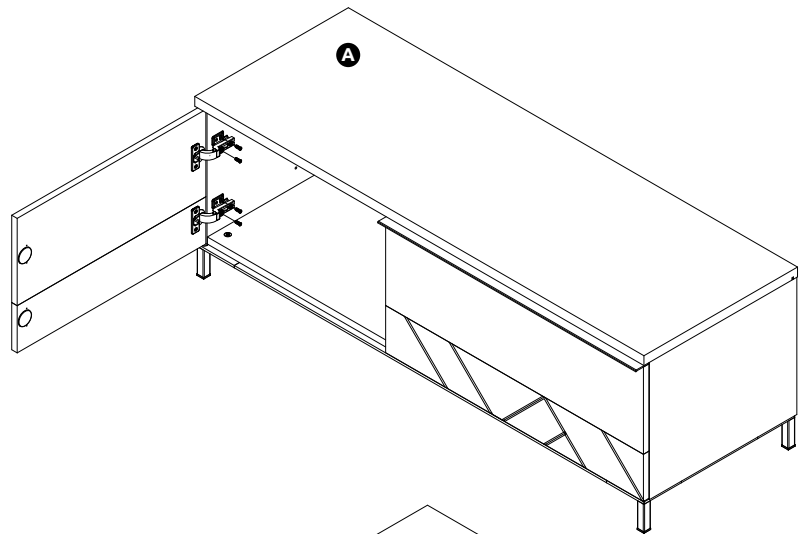




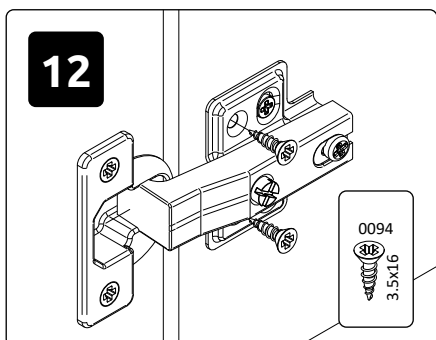
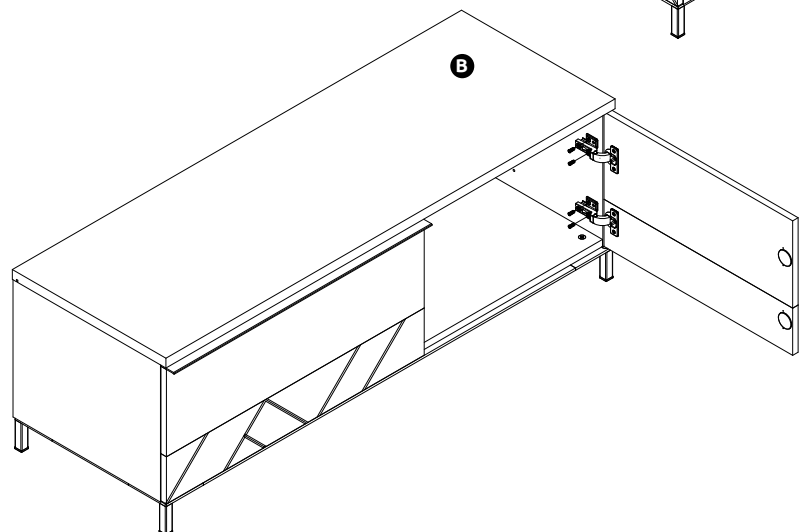
**9**



**10**



**11**



**12**

13

