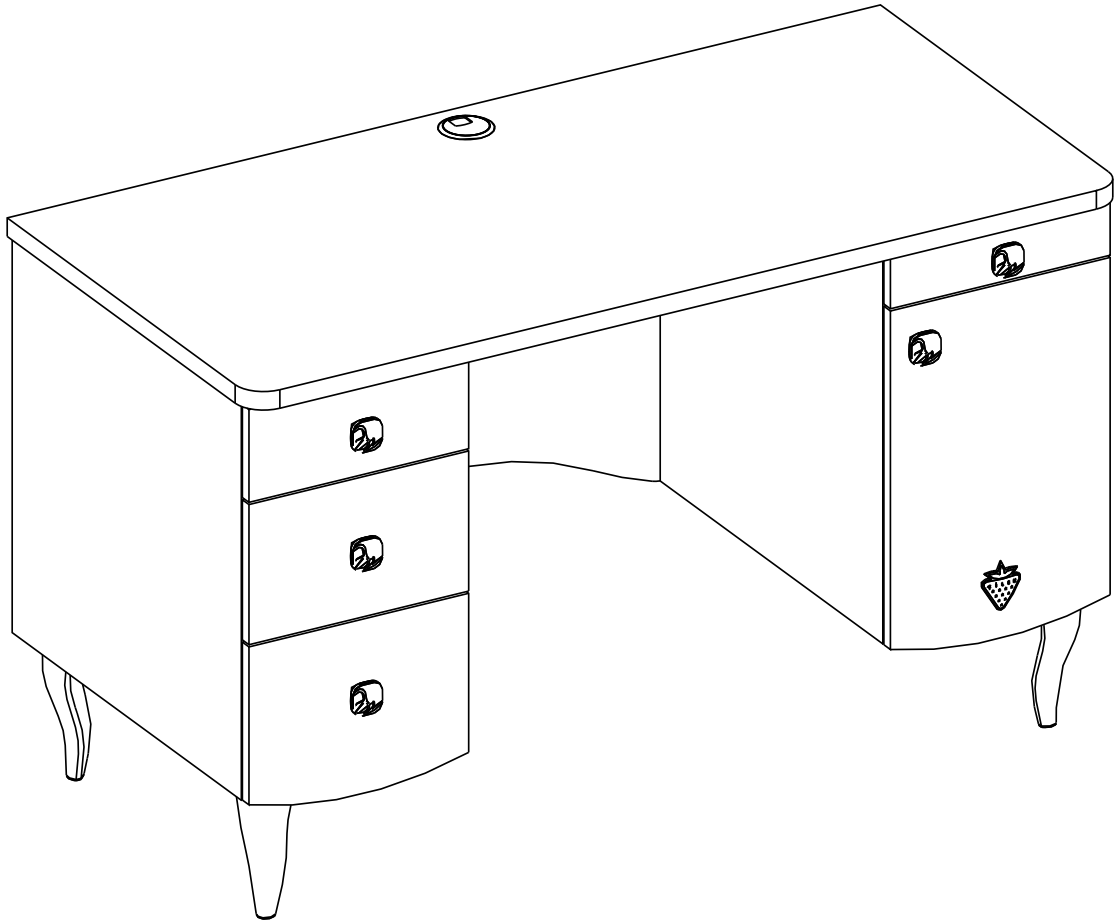
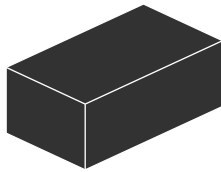
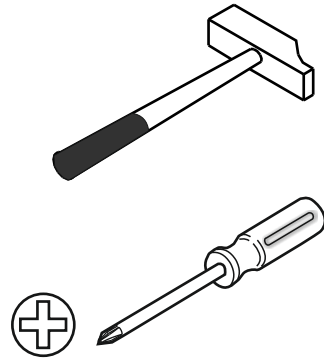
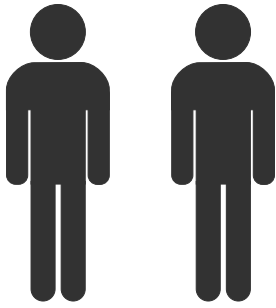
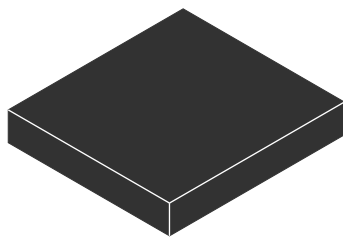


20.20.1103.00

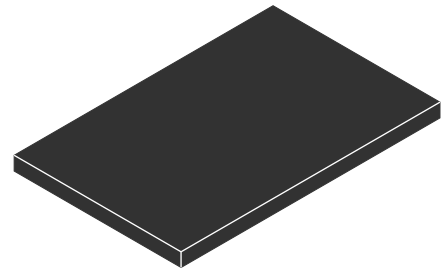




3 / 1



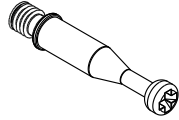
3 / 2



3 / 3



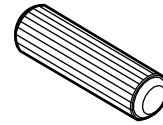
13.07.01.110 x 38



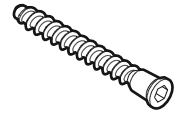
13.07.01.108 x 40



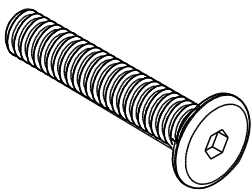
13.01.01.045 x 38



13.01.01.111 x 24



13.02.01.019 x 12



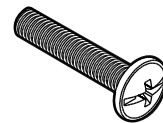
13.03.01.058 x 4
M8X35



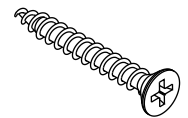
13.02.01.004 x 4



13.03.01.007 x 8
M4X13



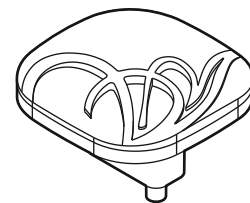
13.03.01.003 x 5
M4X20



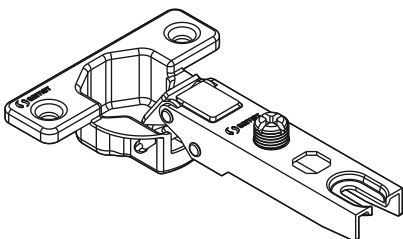
13.02.01.007 x 4



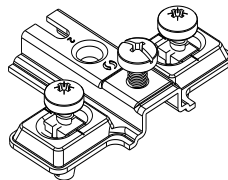
13.01.01.027 x 10



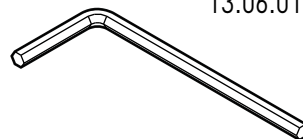
13.06.01.115 x 5



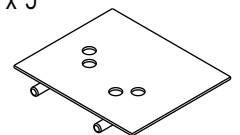
13.04.01.017 x 2



13.04.01.046 x 2

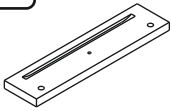


13.07.01.016 x 1

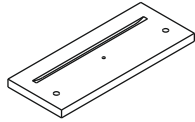


13.07.02.031 x 4

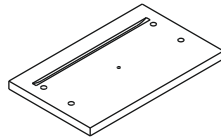
3 / 1



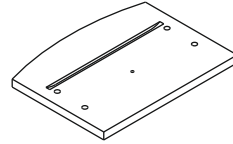
18.20.1103.019 x 1



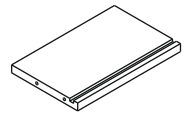
18.20.1103.009 x 1



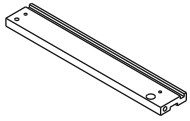
18.20.1103.014 x 1



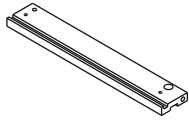
18.20.1103.015 x 1



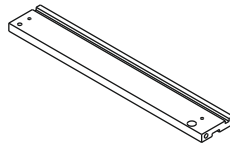
18.20.1103.018 x 2



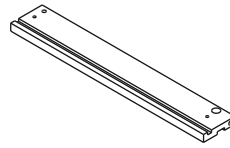
18.20.1103.020 x 1



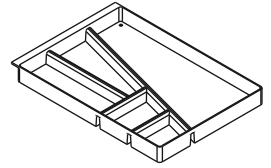
18.20.1103.021 x 1



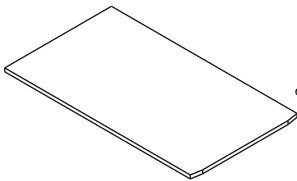
18.20.1103.010 x 1



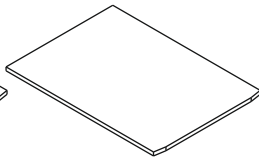
18.20.1103.011 x 1



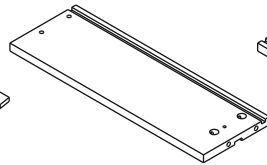
13.01.01.525 x 1



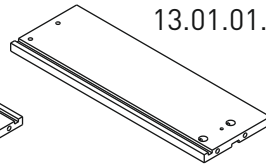
18.20.1103.013 x 3



18.20.1103.023 x 1



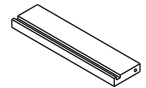
18.20.1103.016 x 2



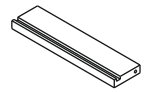
18.20.1103.017 x 2



13.01.01.283 x 4

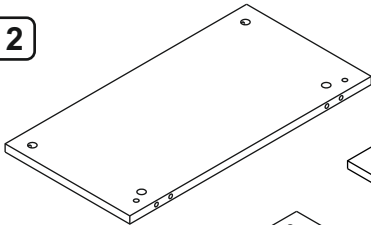


18.20.1103.012 x 1

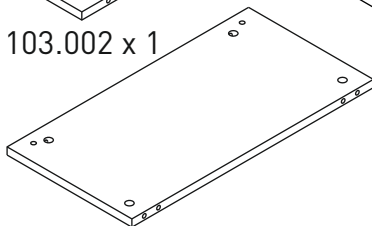


18.20.1103.022 x 1

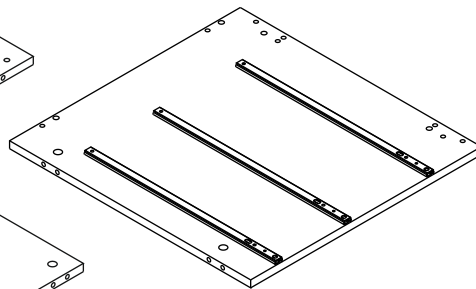
3 / 2



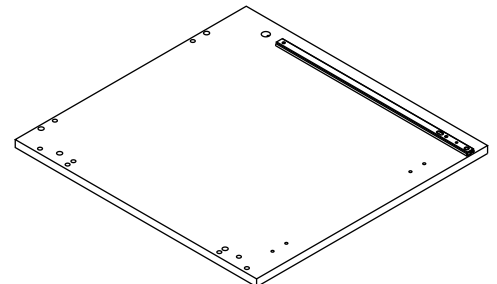
18.20.1103.002 x 1



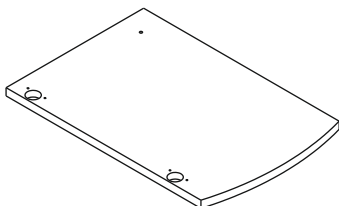
18.20.1103.001 x 1



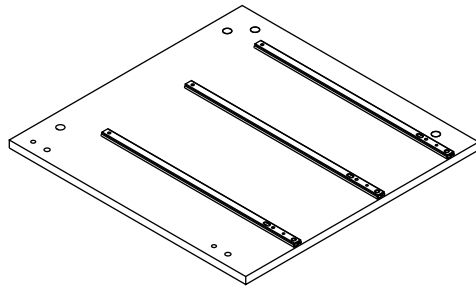
18.20.1103.003 x 1



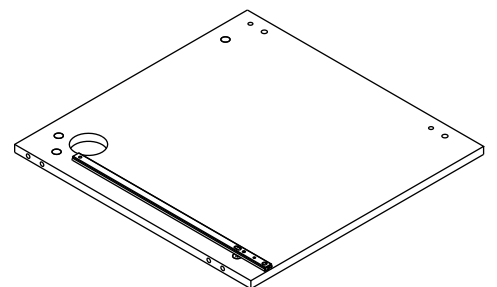
18.20.1103.005 x 1



18.20.1103.024 x 1

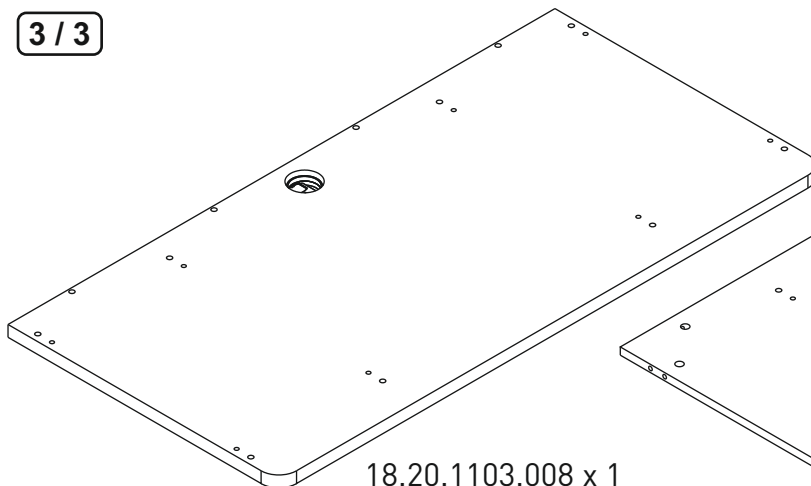


18.20.1103.006 x 1

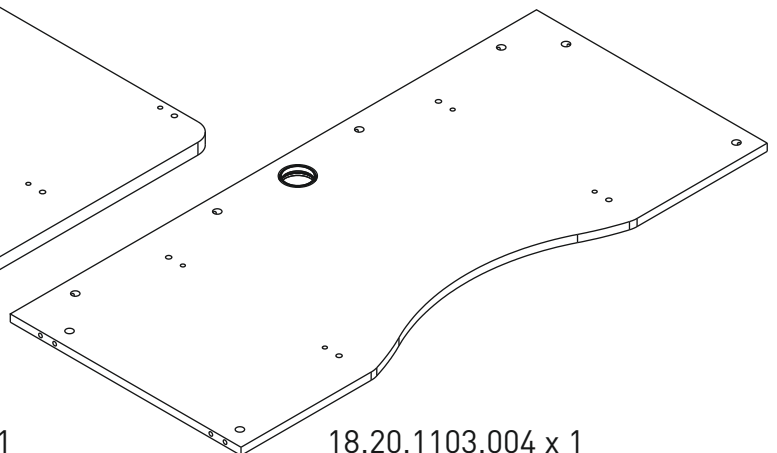


18.20.1103.007 x 1

3 / 3

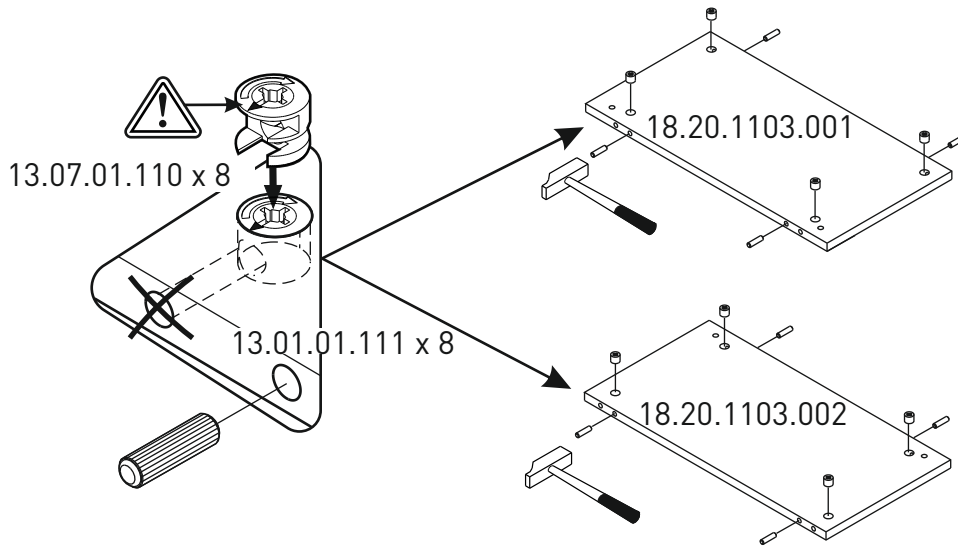


18.20.1103.008 x 1

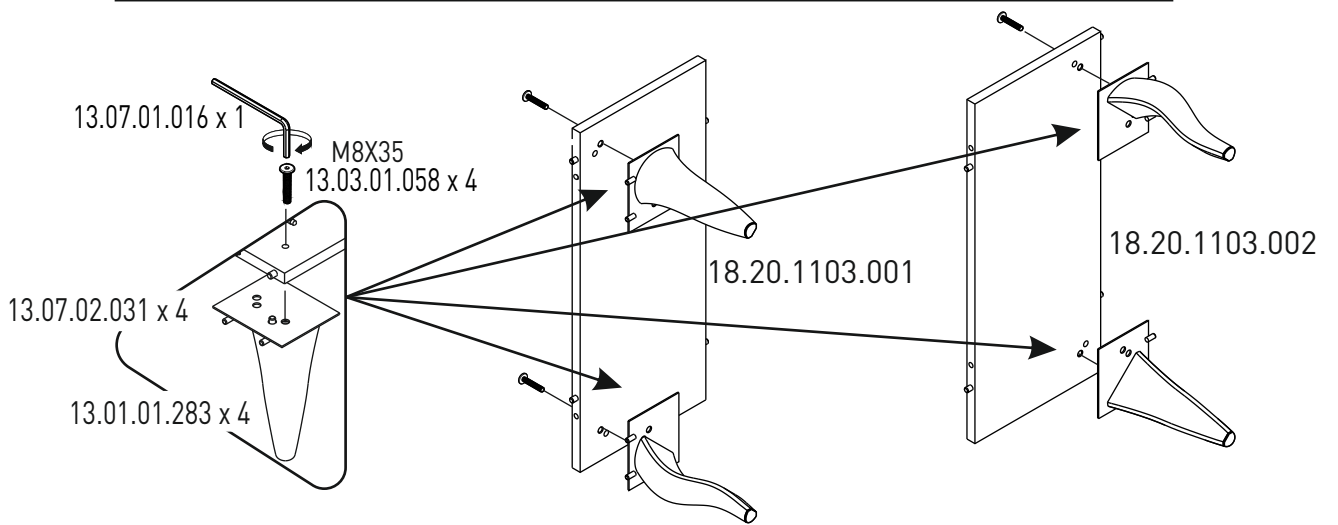


18.20.1103.004 x 1

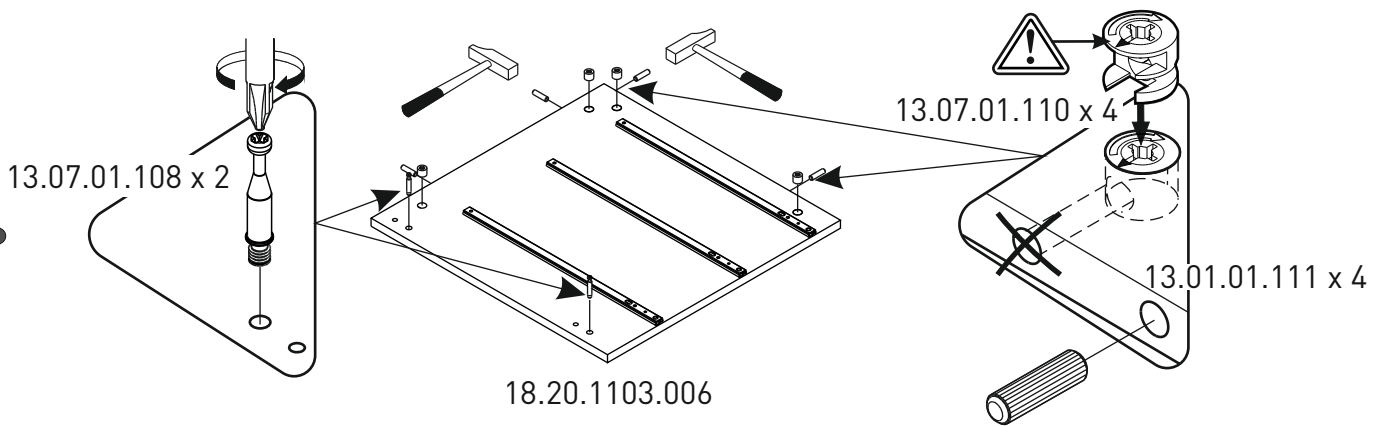
1



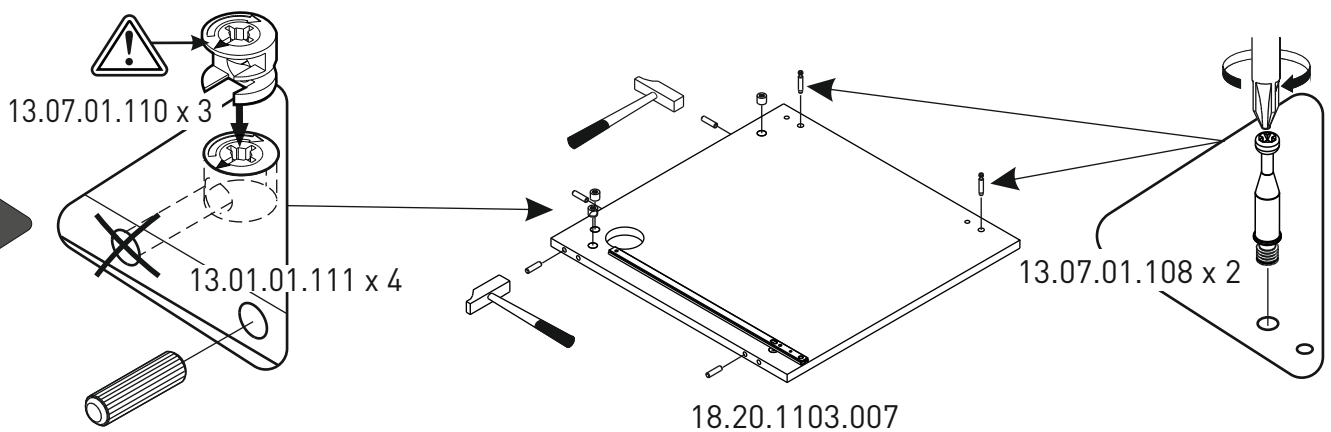
2



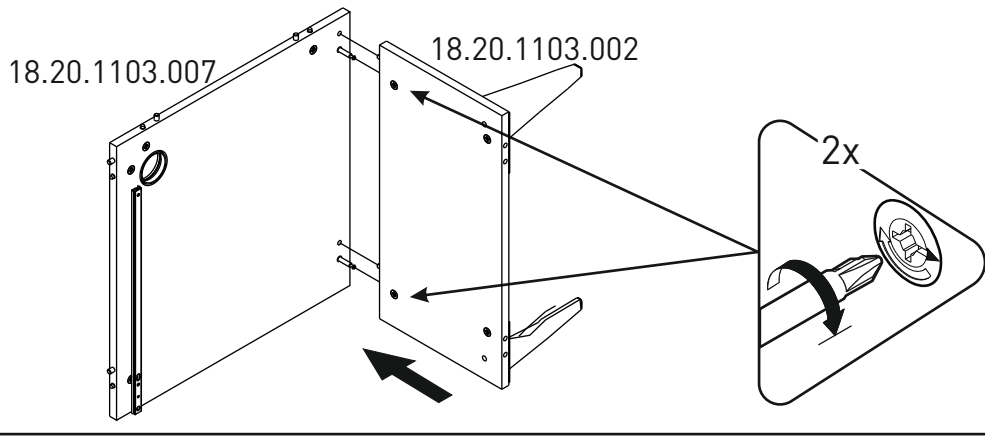
3



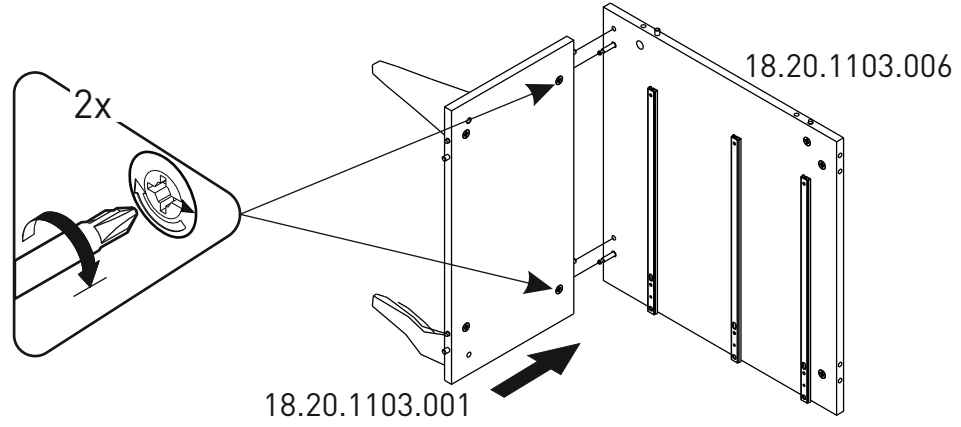
4



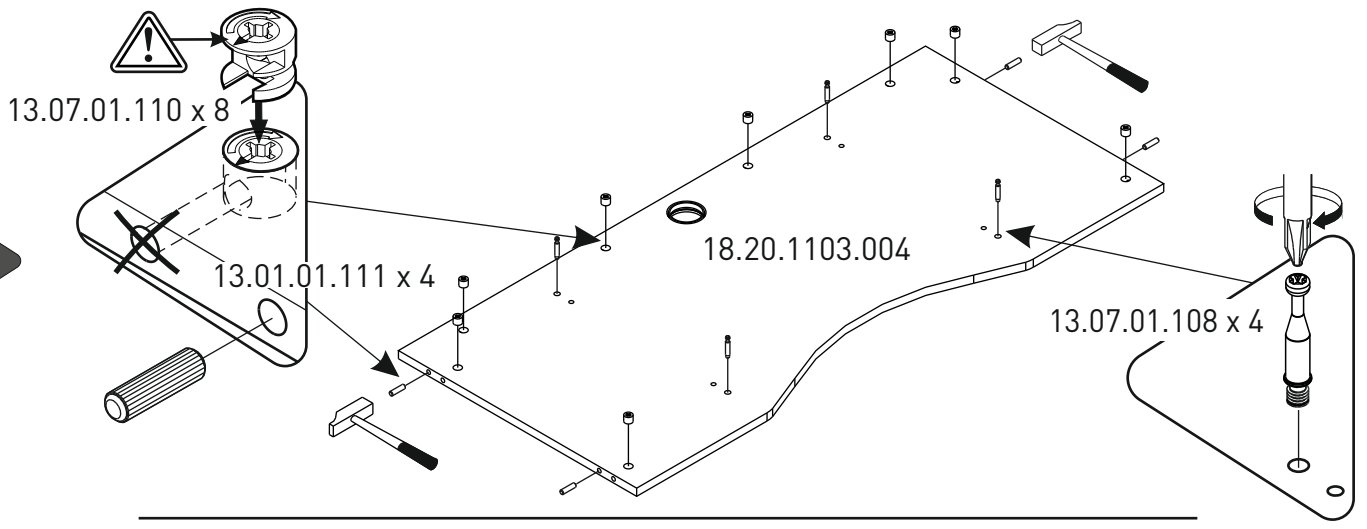
5



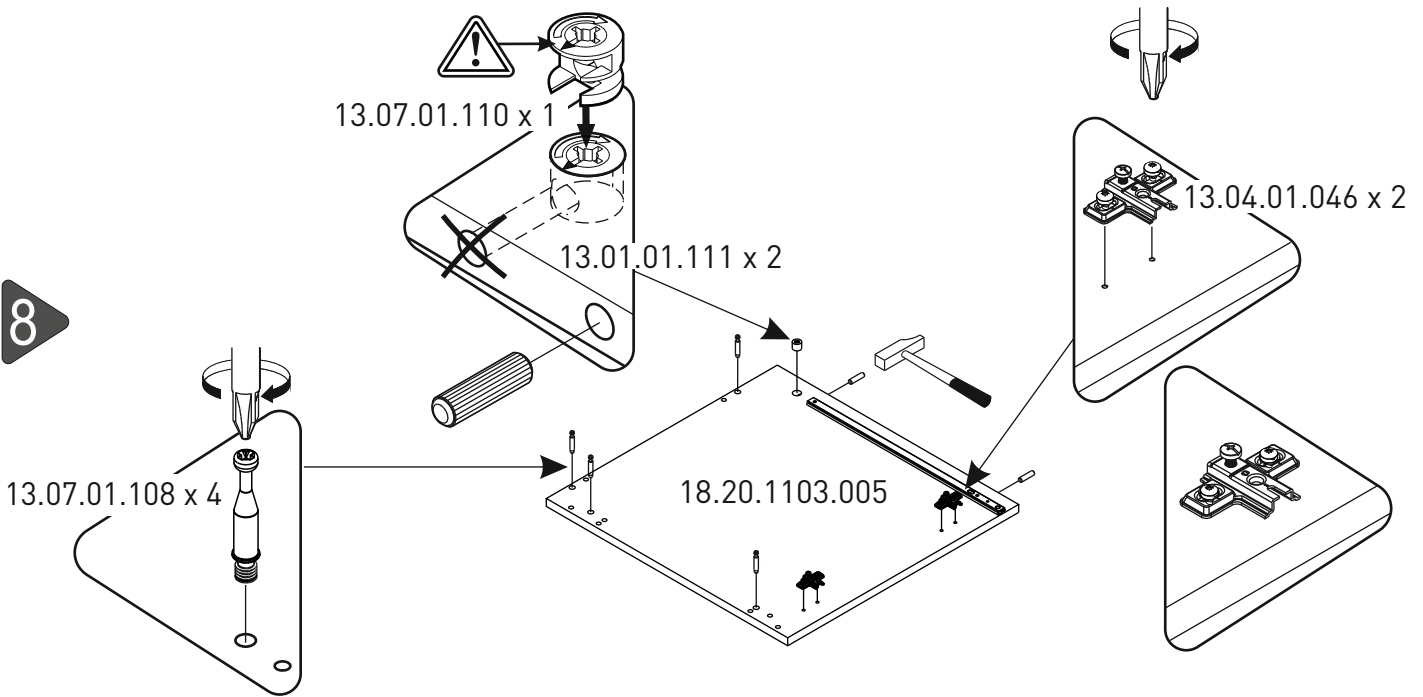
6



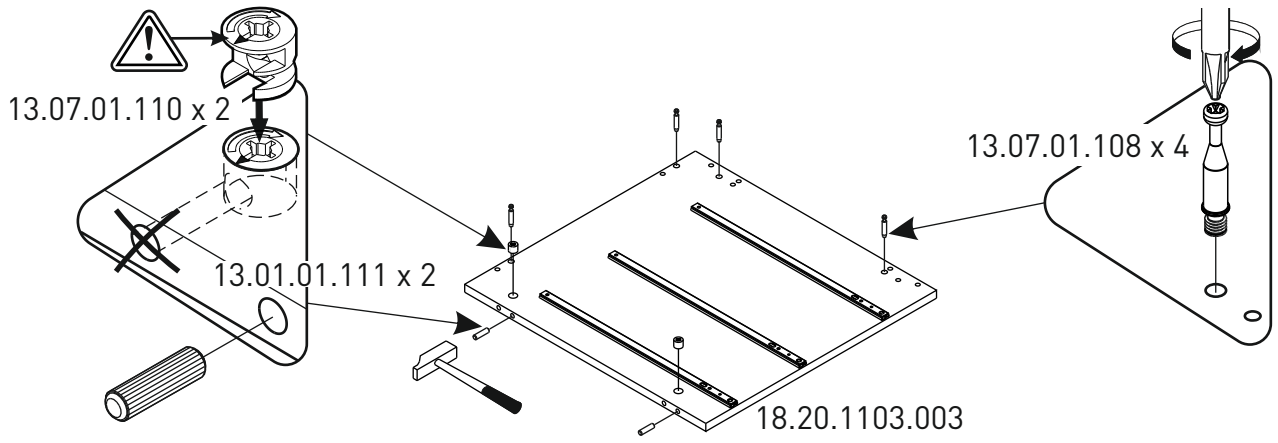
7



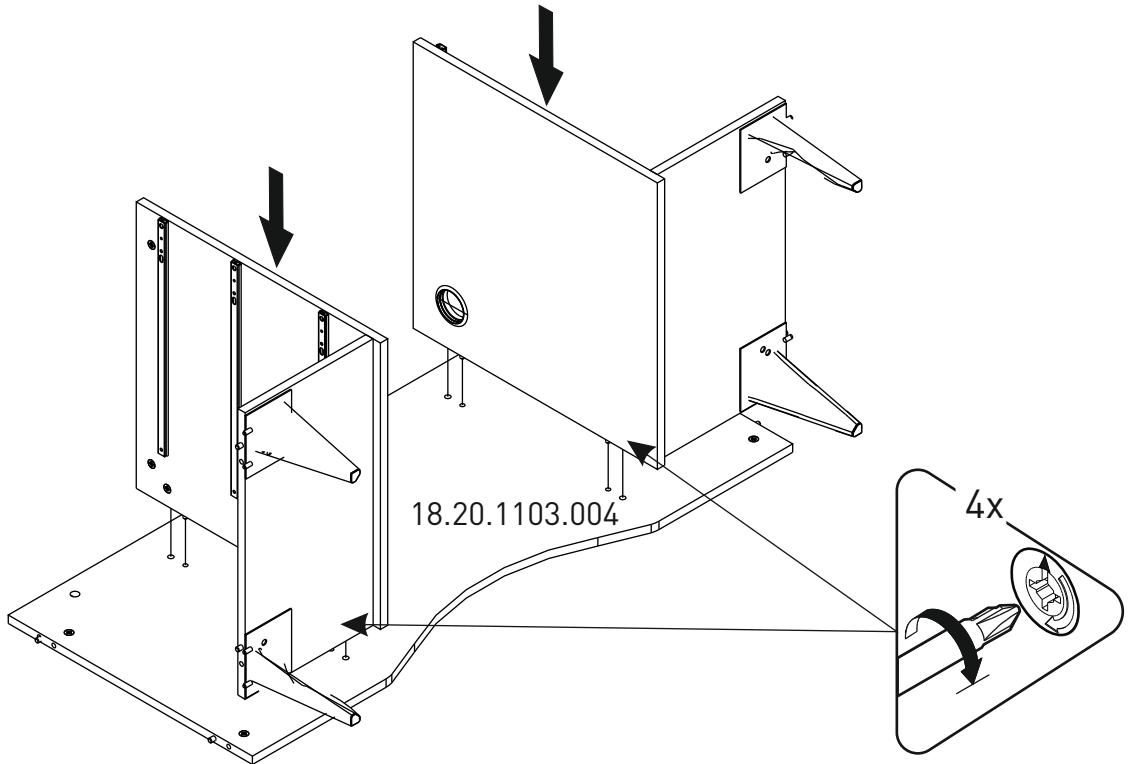
8



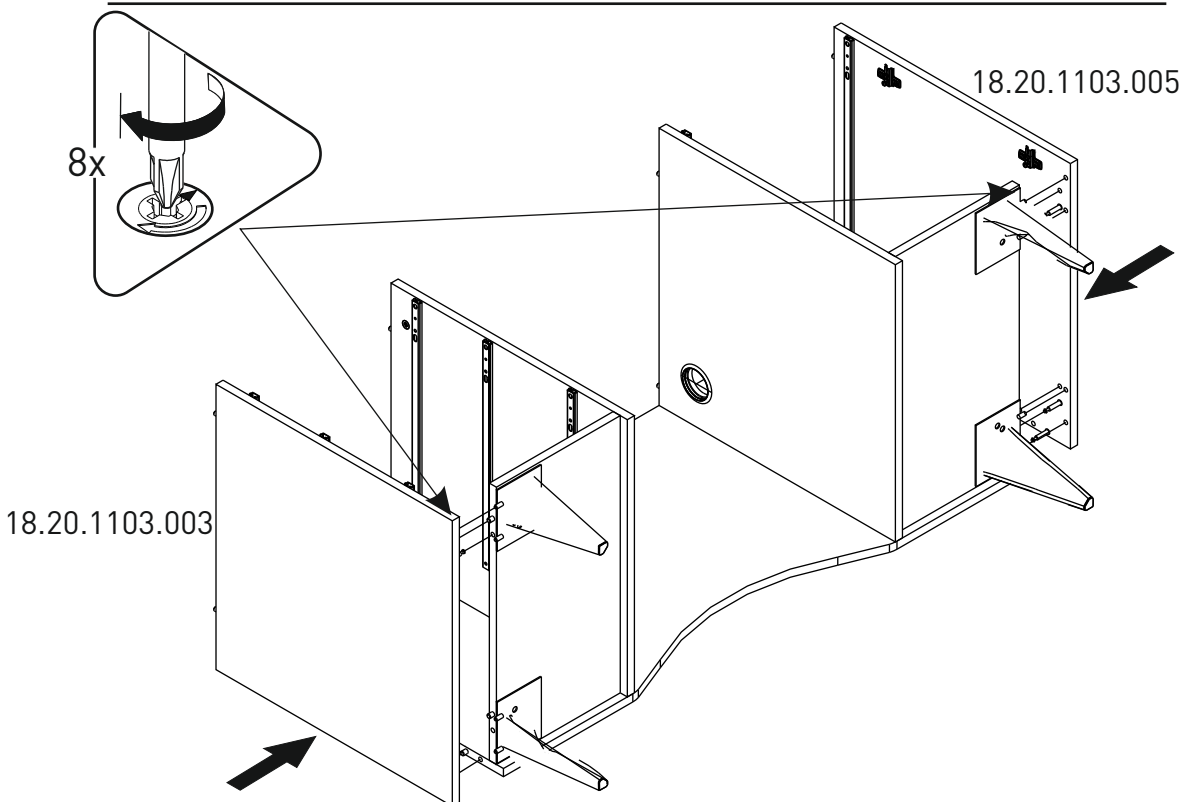
9



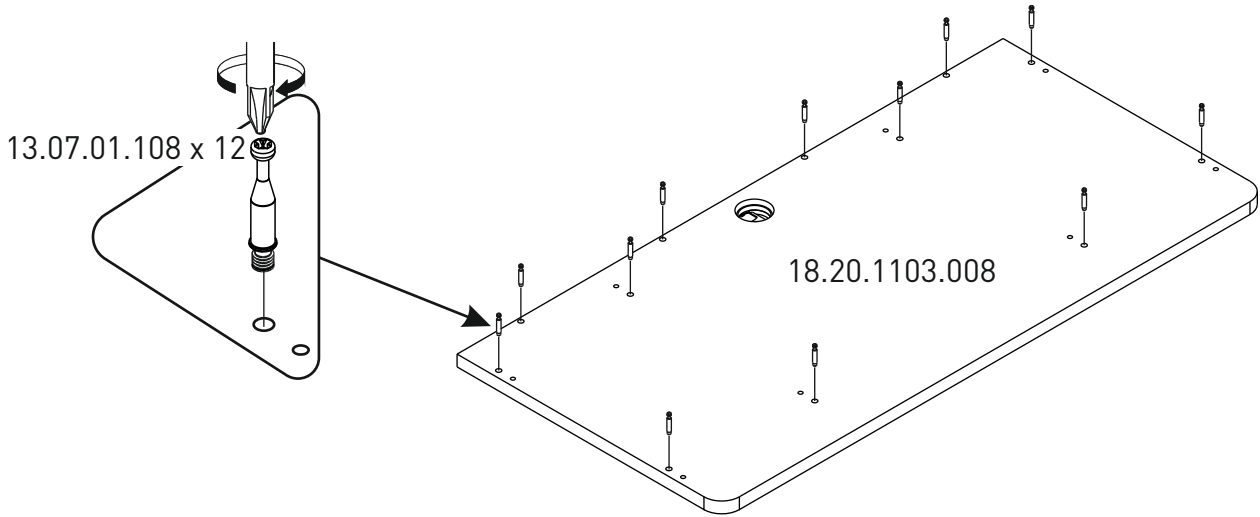
10



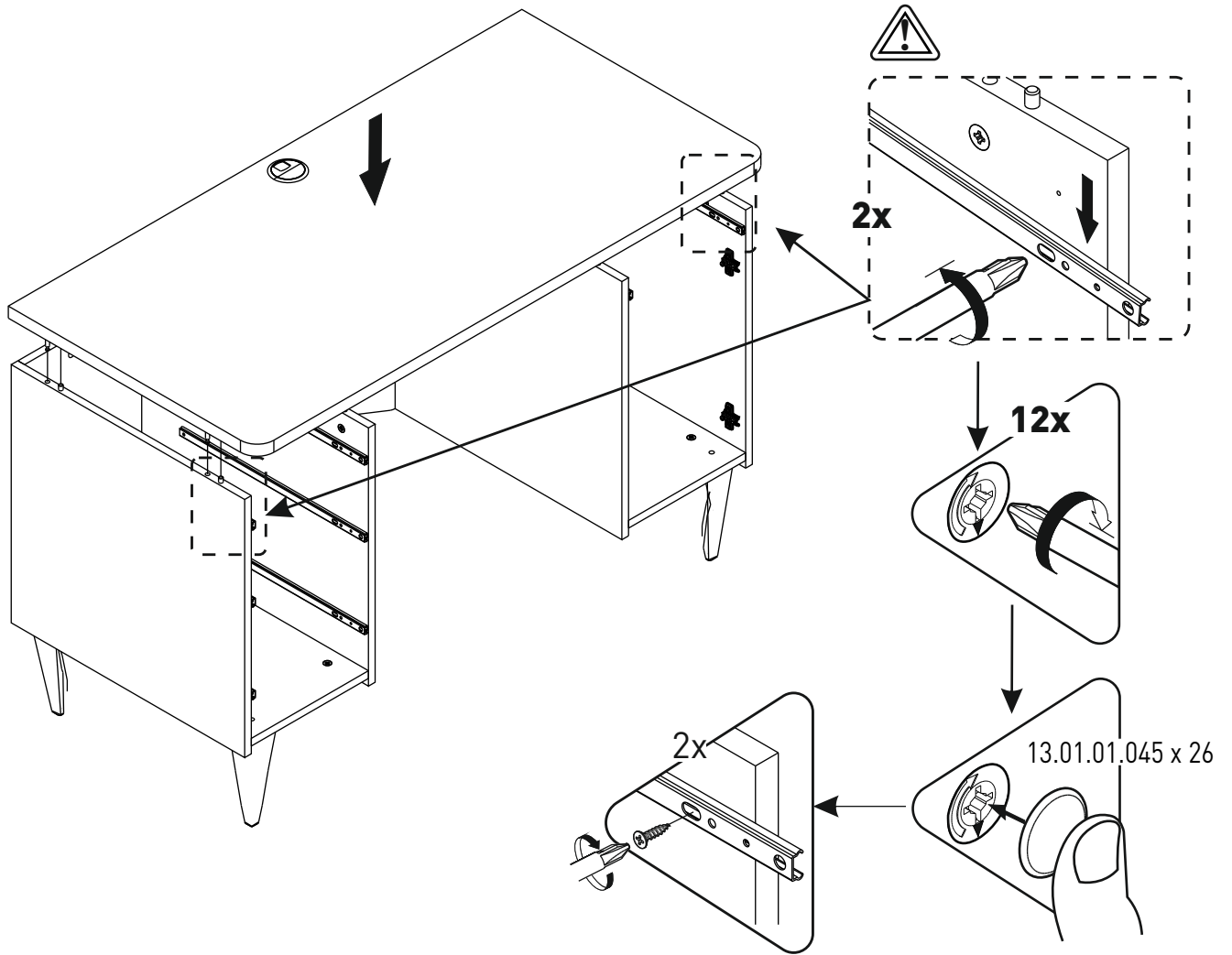
11



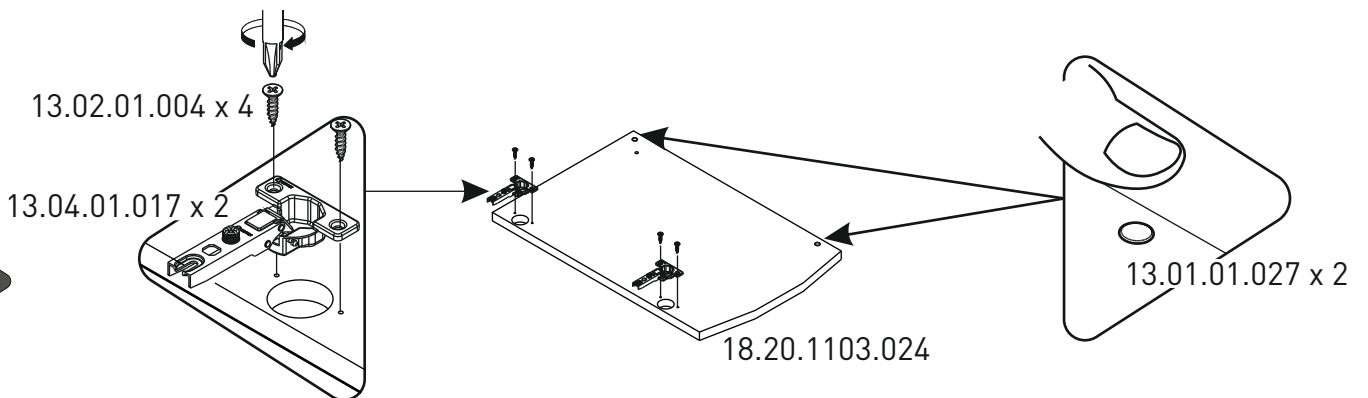
12



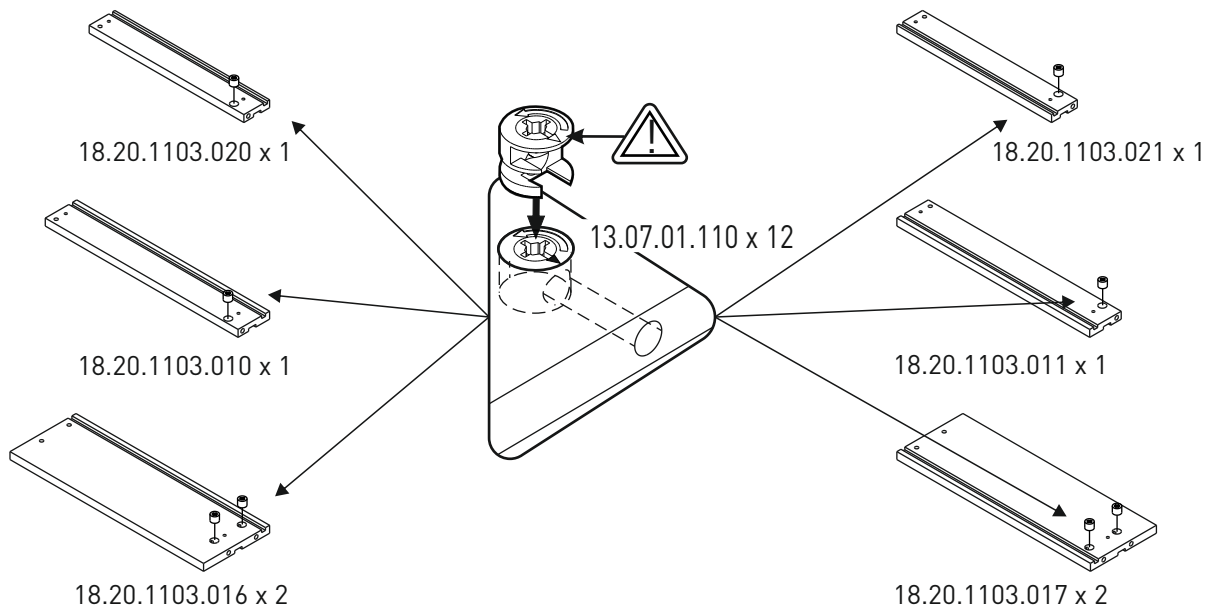
13



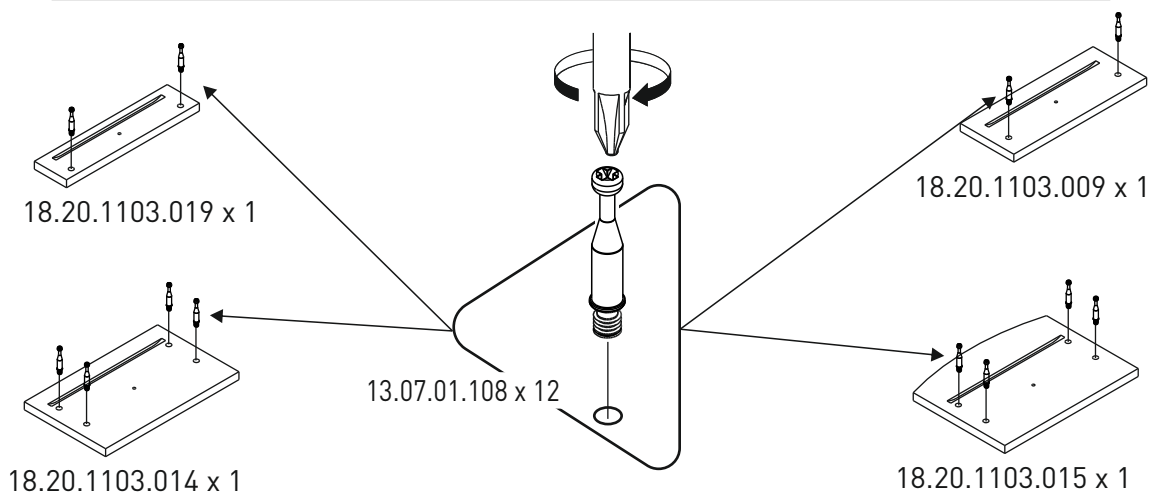
14



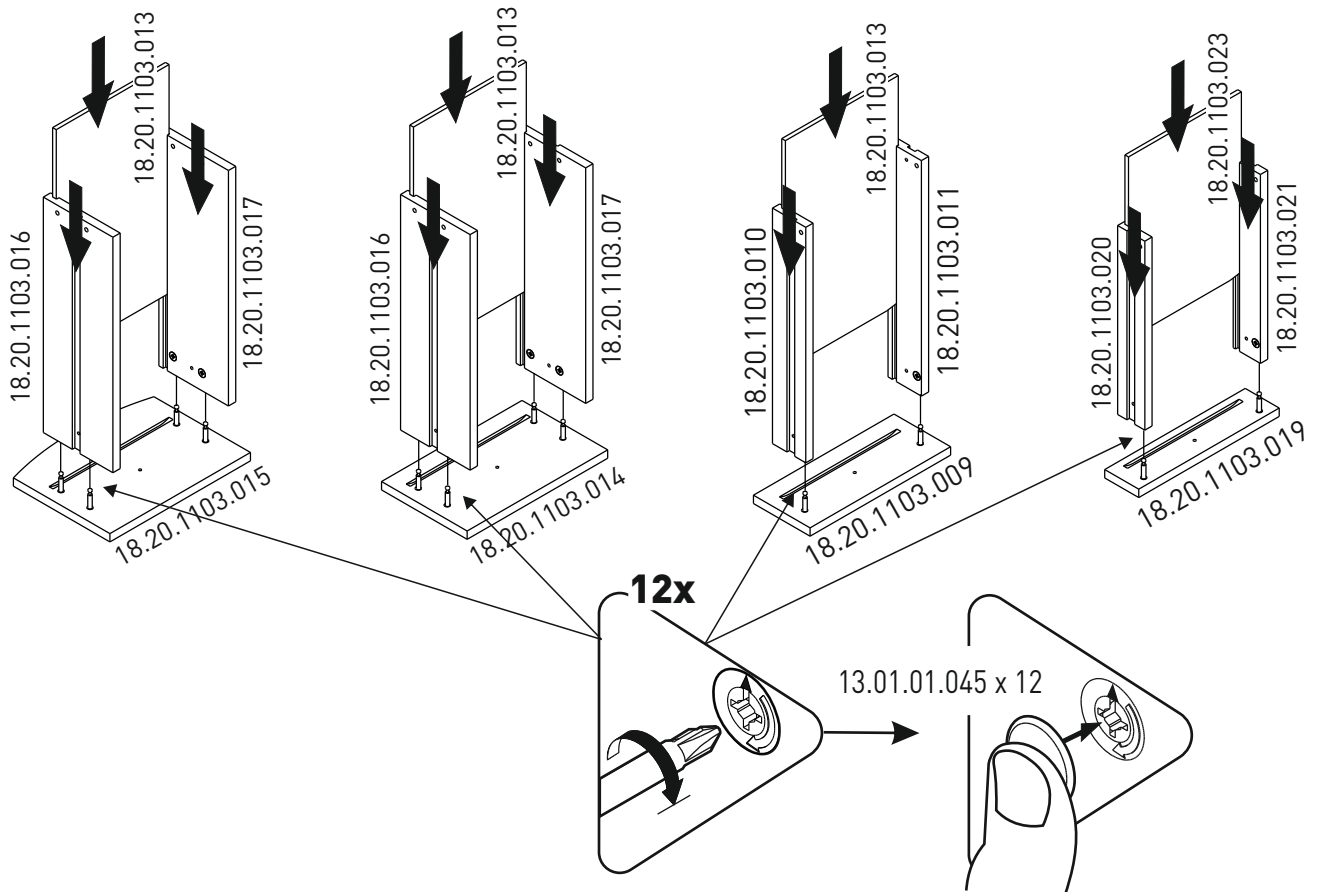
15



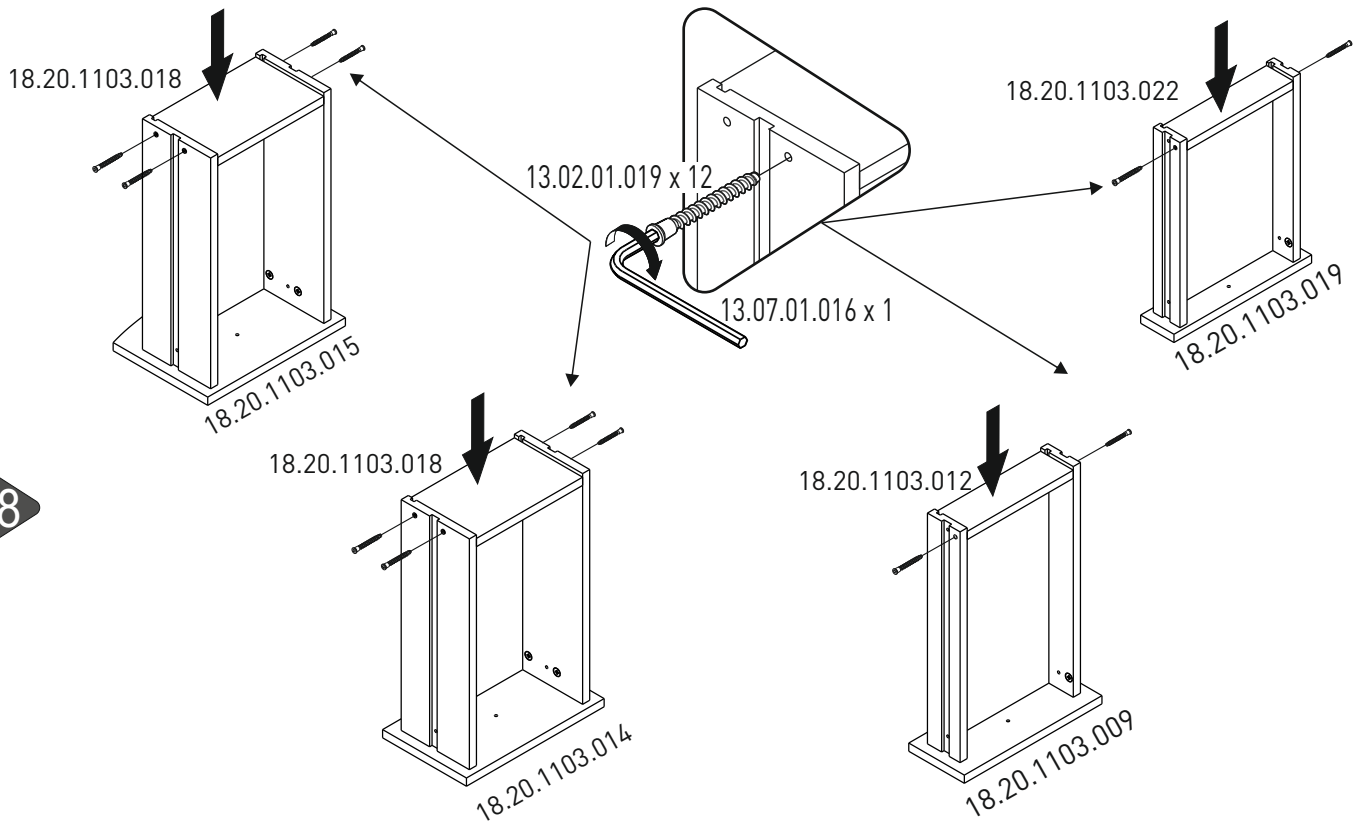
16



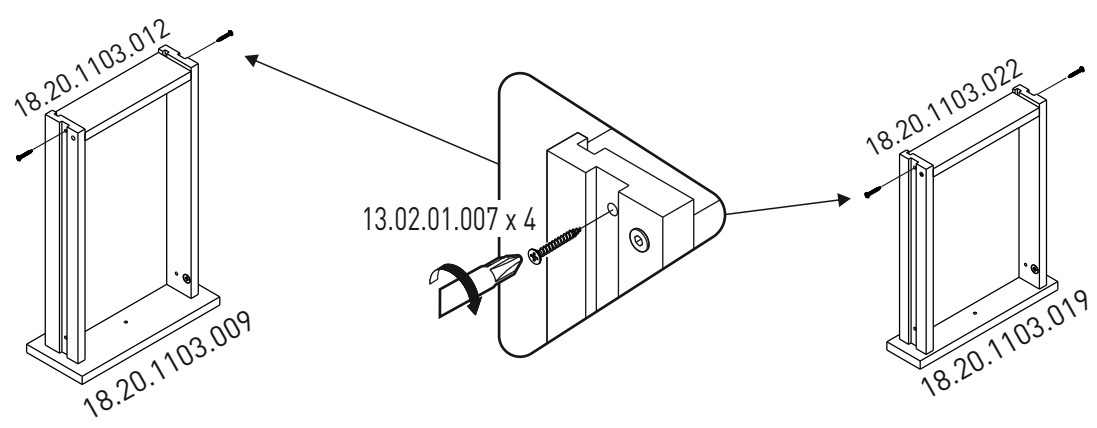
17



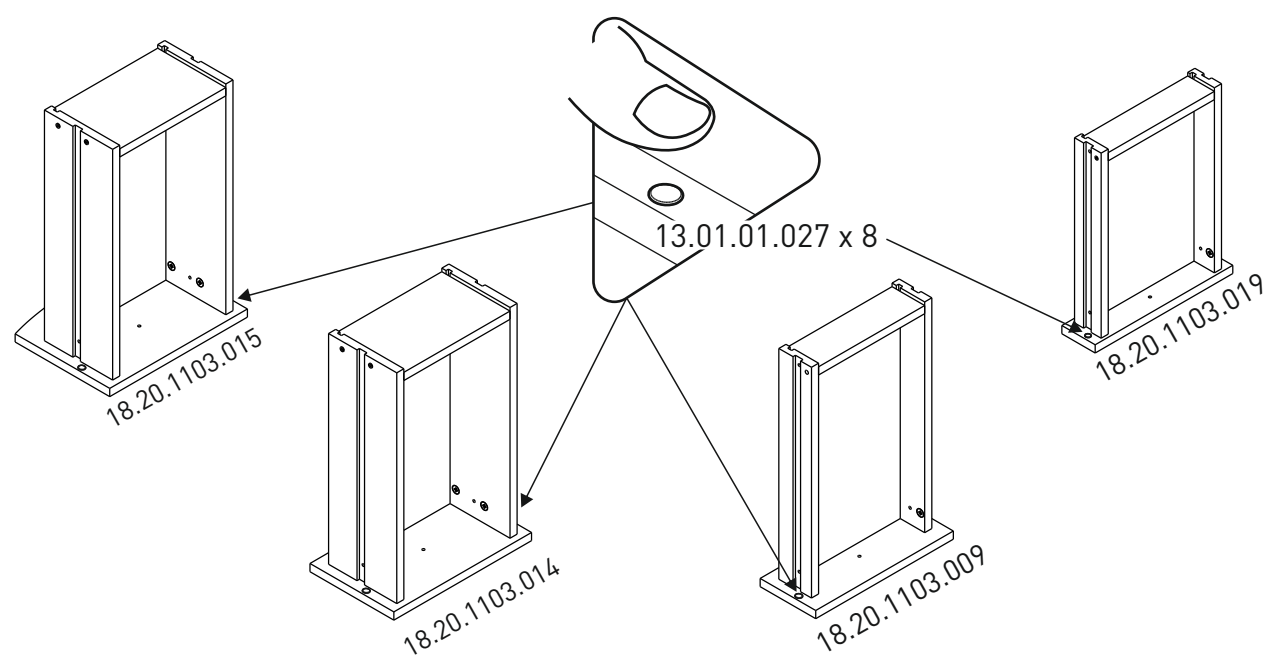
18



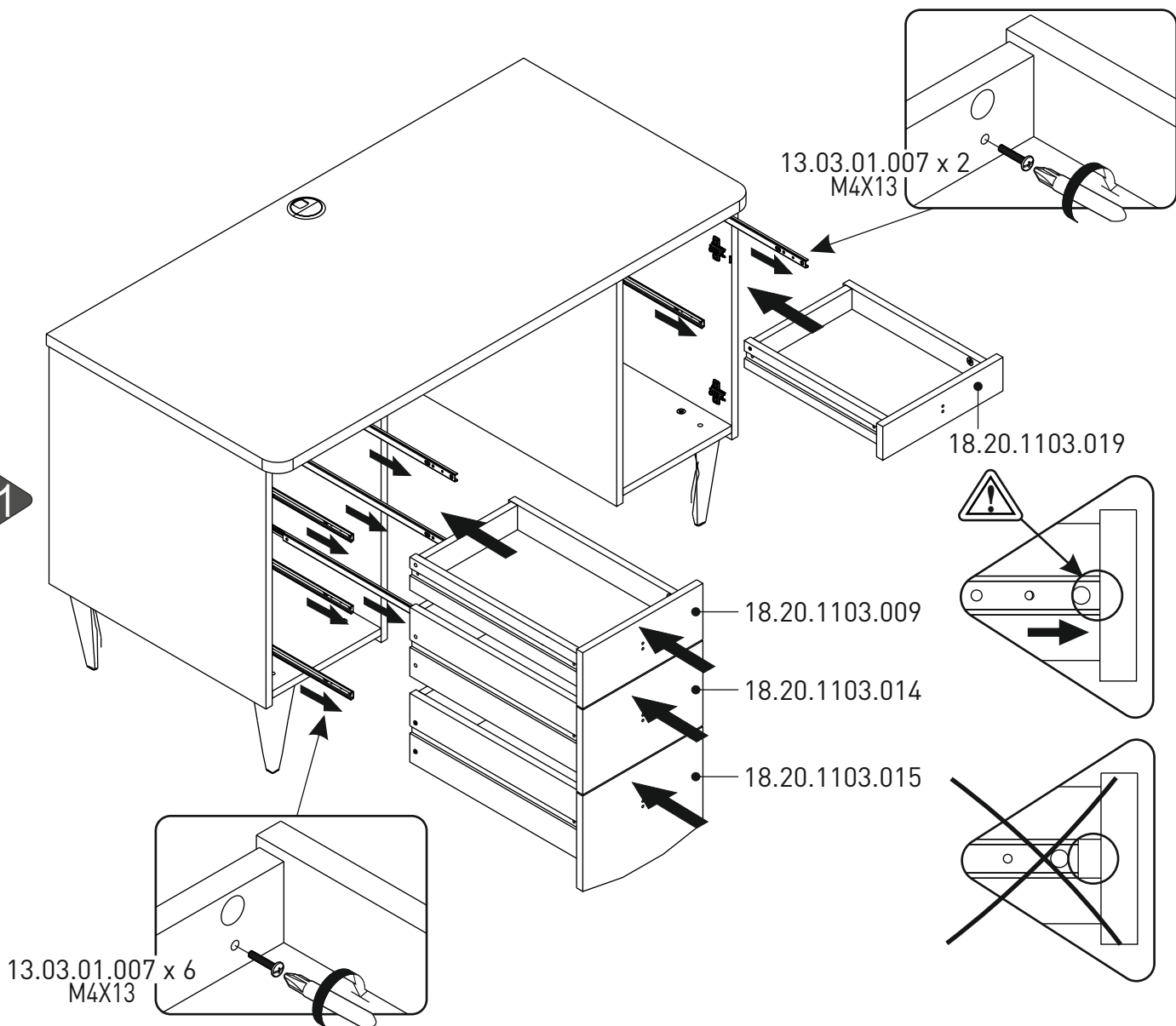
19



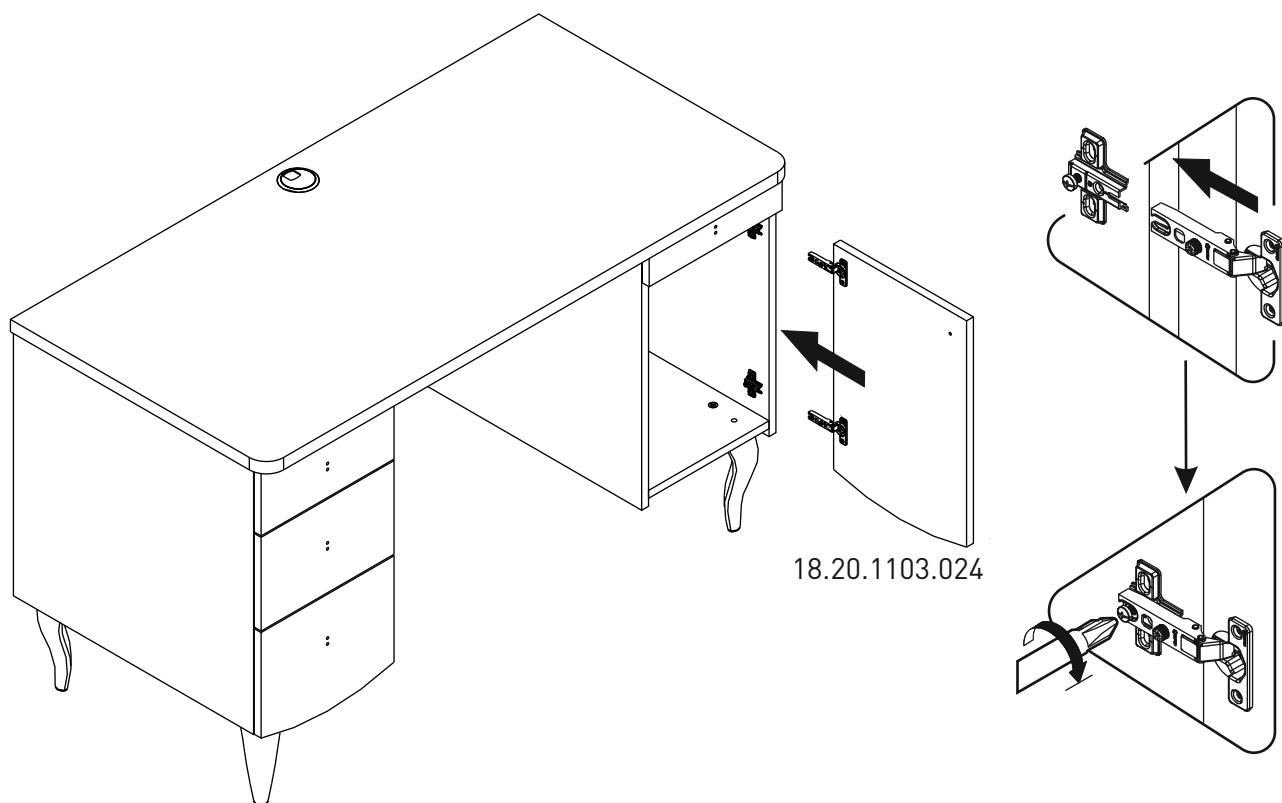
20



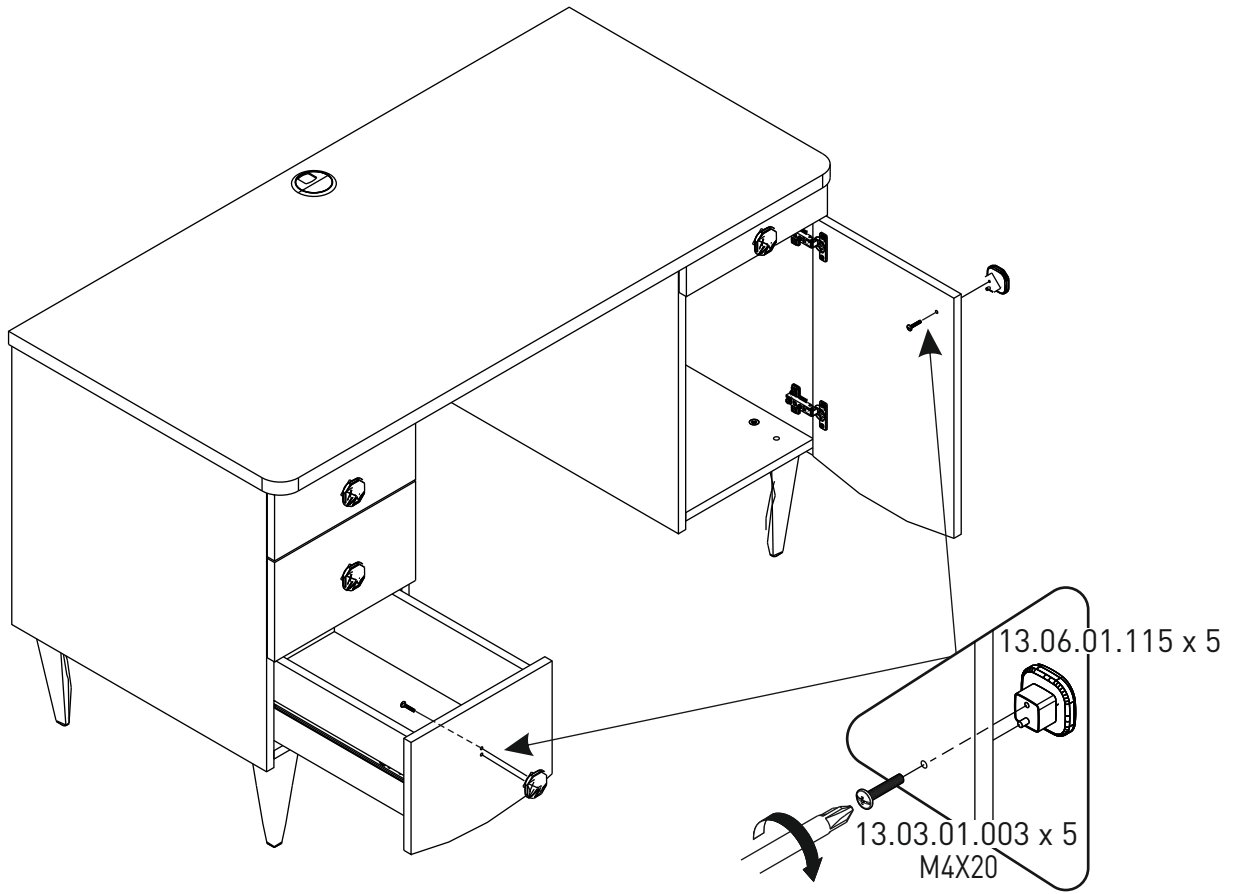
21



22



23



24

