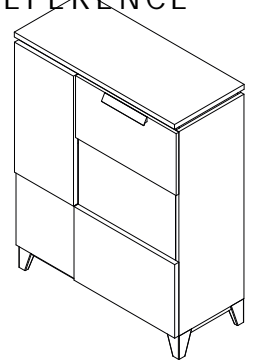
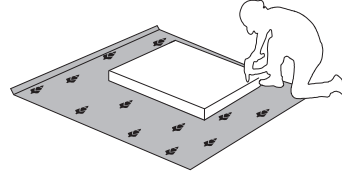
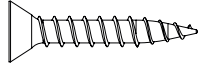
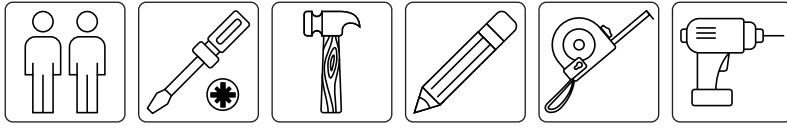


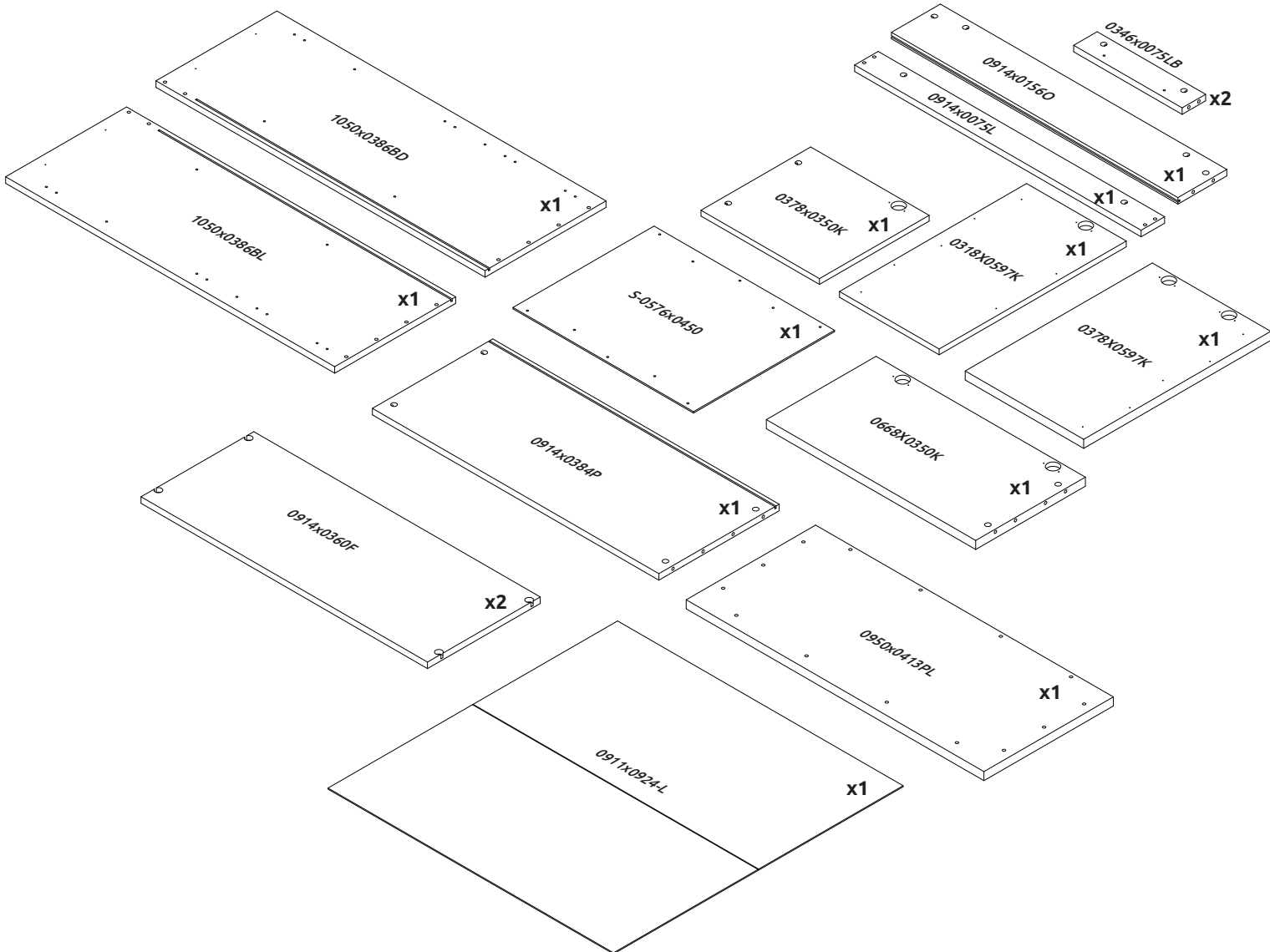


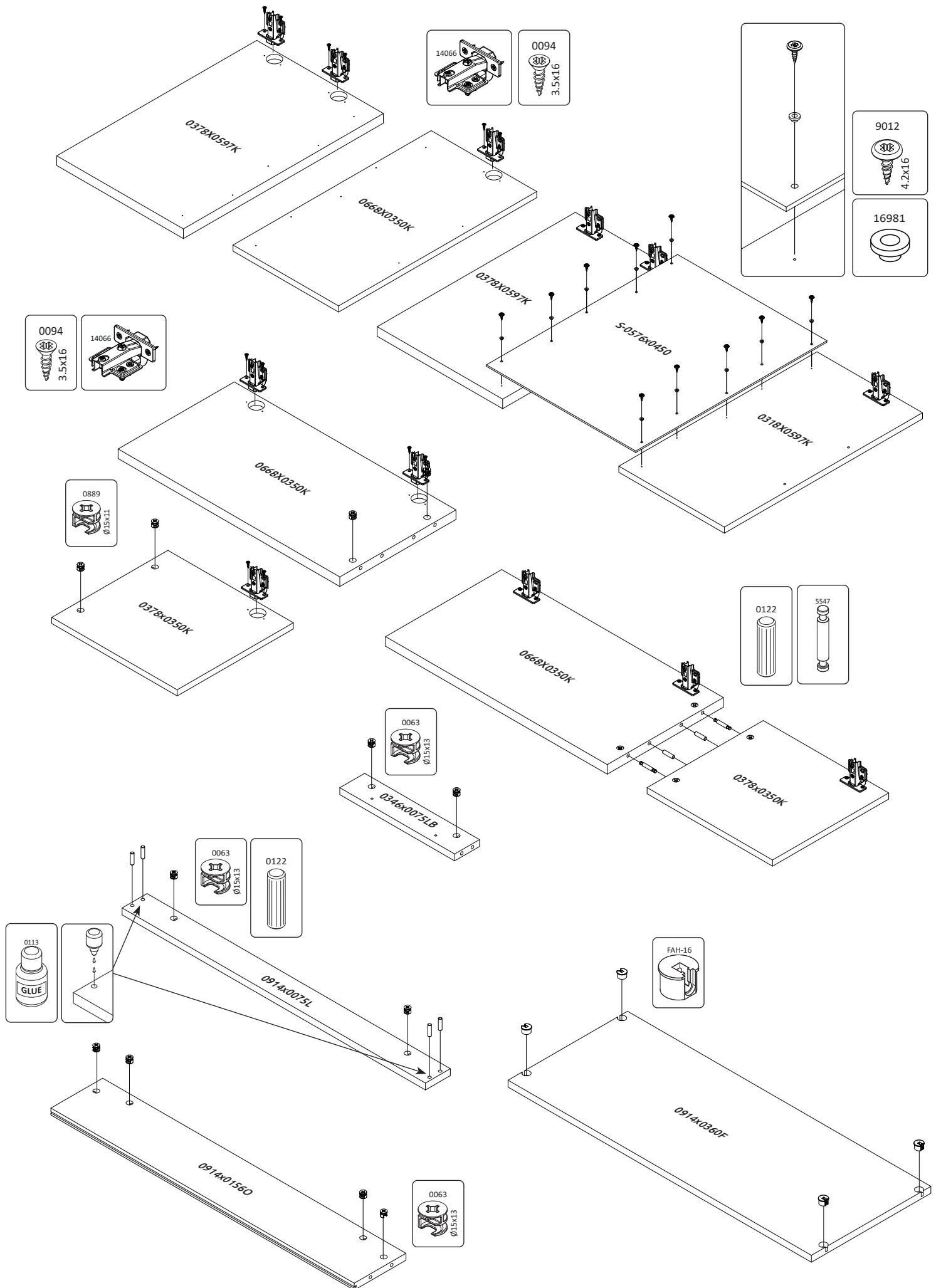
IMPORTANT - READ CAREFULLY - RETAIN FOR FUTURE REFERENCE  
 WICHTIG - SORGFÄLTIG LESEN UND AUFBEWAHREN

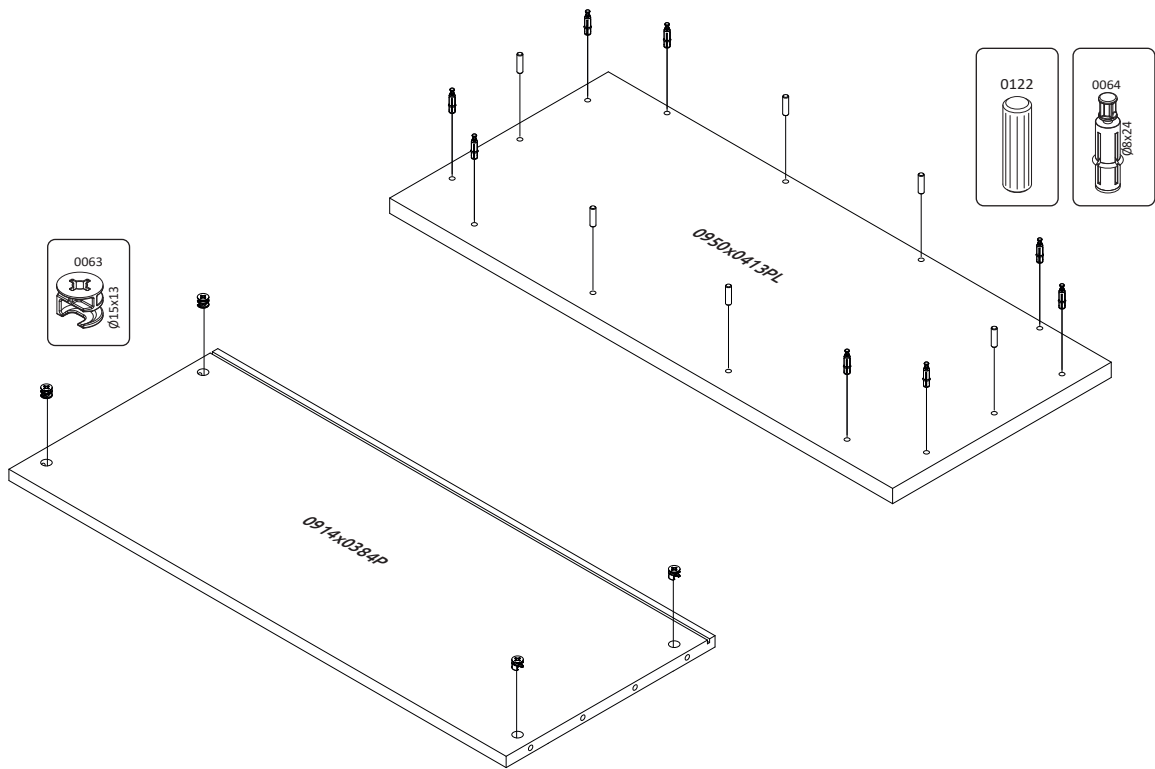
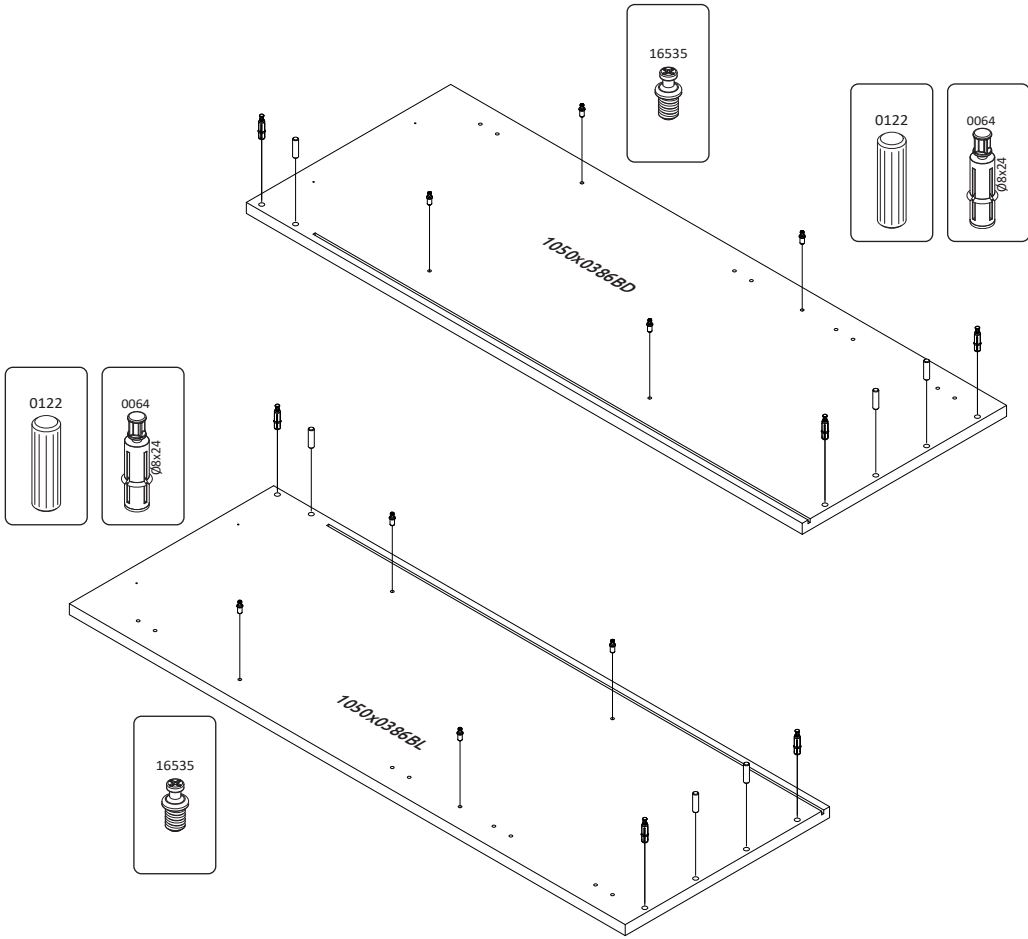


**BRIO-K2S**  
 LWH - 950x413x1220

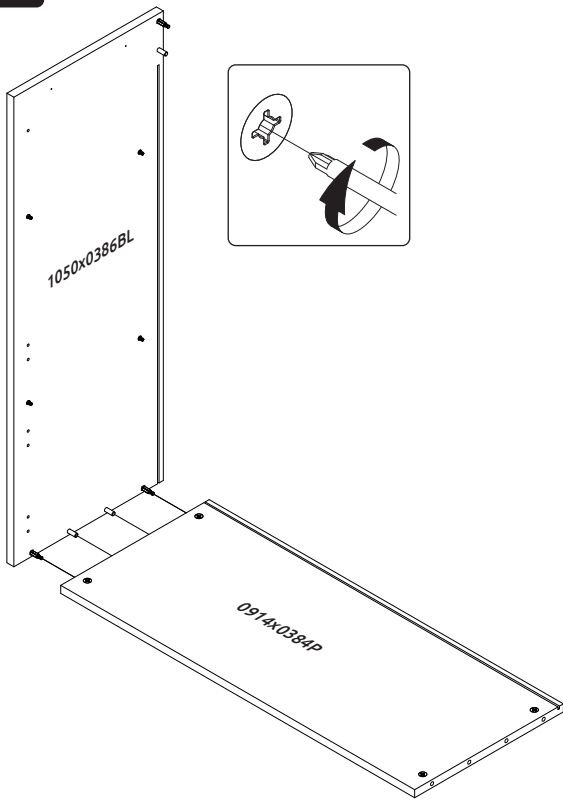
- |                              |                              |                            |                              |                             |                           |                    |                    |                        |                       |                             |                             |                             |                   |
|------------------------------|------------------------------|----------------------------|------------------------------|-----------------------------|---------------------------|--------------------|--------------------|------------------------|-----------------------|-----------------------------|-----------------------------|-----------------------------|-------------------|
| <b>x1</b><br>0113<br>GLUE    | <b>x10</b><br>9012<br>4.2x16 | <b>x12</b><br>0096<br>4x18 | <b>x10</b><br>0095<br>3.5x20 | <b>x2</b><br>0094<br>3.5x16 | <b>x4</b><br>0099<br>4x30 | <b>x8</b><br>16535 | 0121<br>1.4x25     | <b>x4</b><br>6319      | <b>x10</b><br>16981   | <b>x10</b><br>0108          | <b>x18</b><br>0122          | <b>x14</b><br>0064<br>Ø8x21 | <b>x2</b><br>5547 |
| <b>x14</b><br>0063<br>Ø15x13 | <b>x4</b><br>0889<br>Ø15x11  | <b>x8</b><br>FAH-16        | <b>x2</b><br>32256<br>1/4x23 | <b>x4</b><br>40331          | <b>x1</b><br>40330        | <b>x6</b><br>14066 | <b>x1</b><br>15741 | <b>x10</b><br>EKSK4-NE | <b>x4</b><br>EKSK4-BE | <b>x1</b><br>807mm<br>40337 | <b>x2</b><br>243mm<br>40328 |                             |                   |



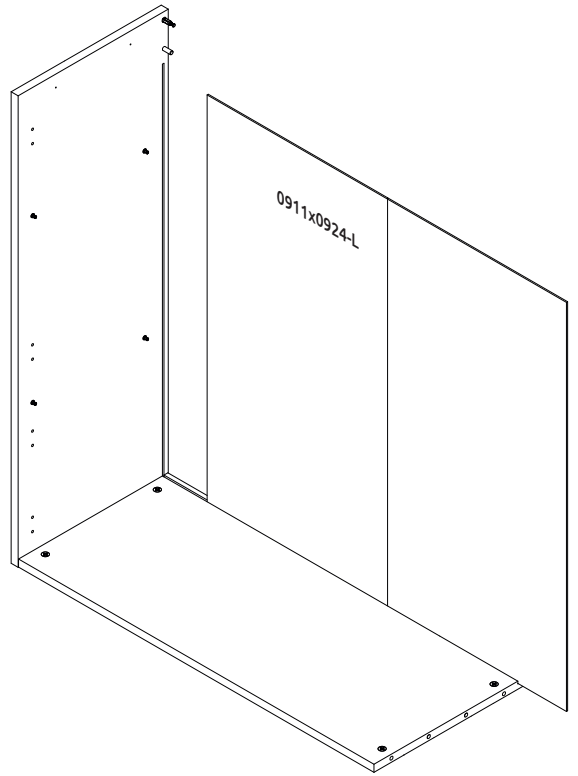




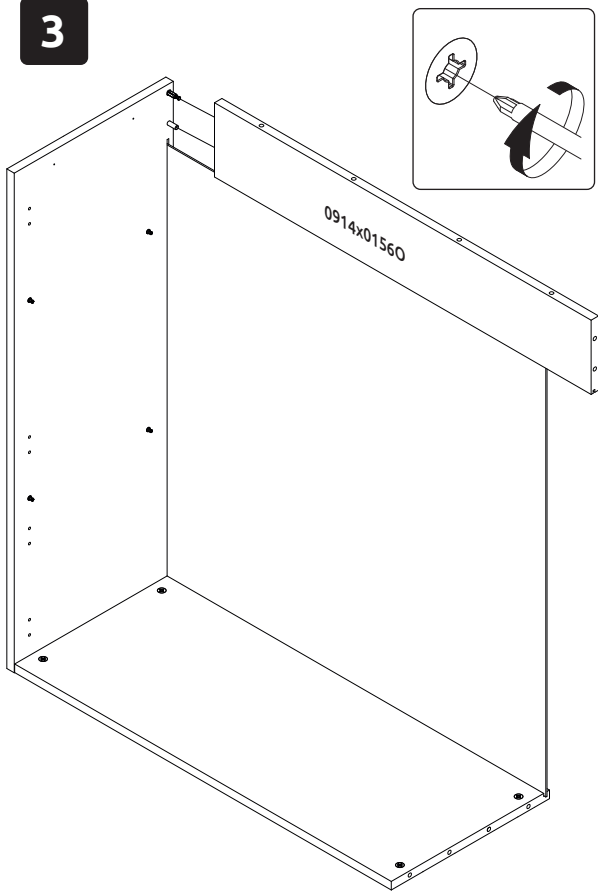
1



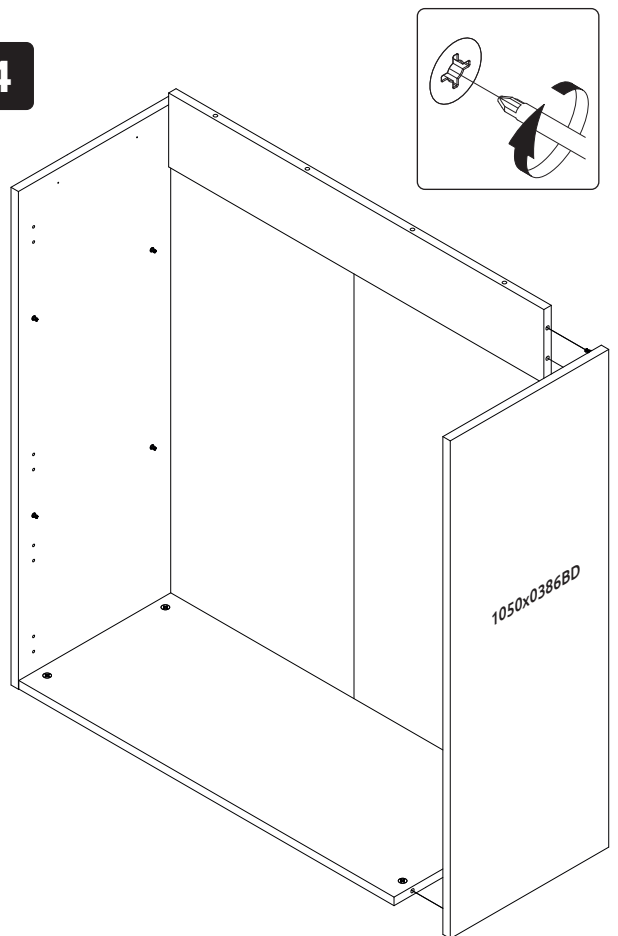
2



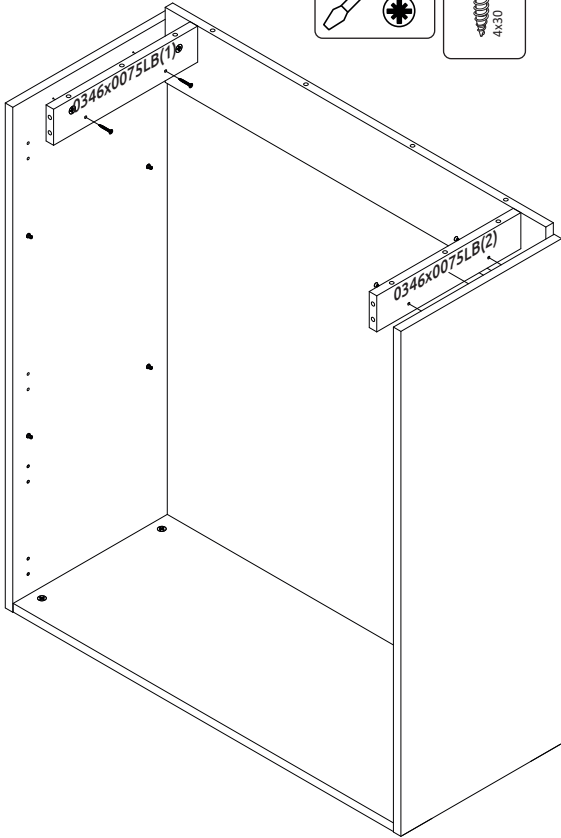
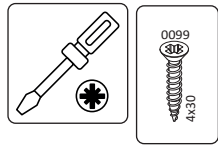
3



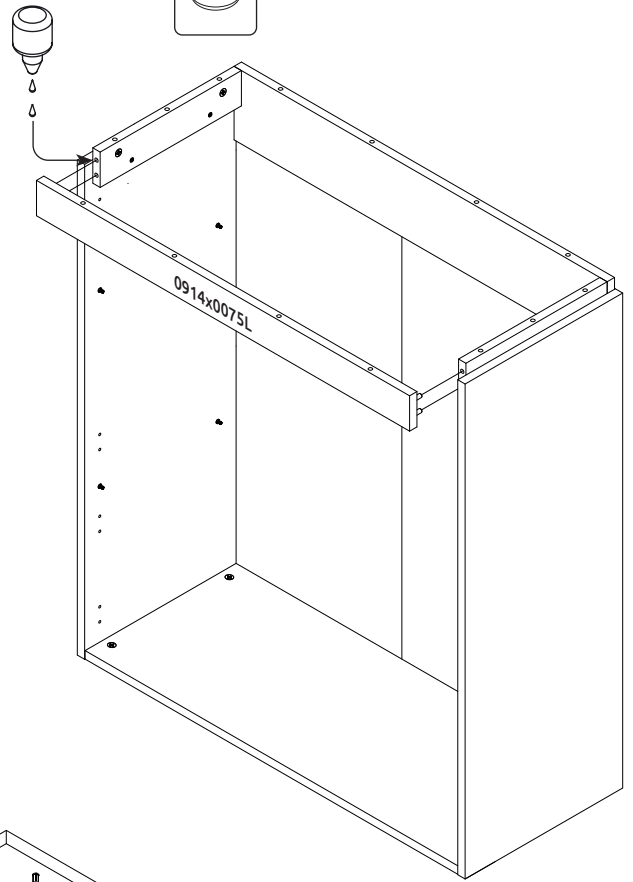
4



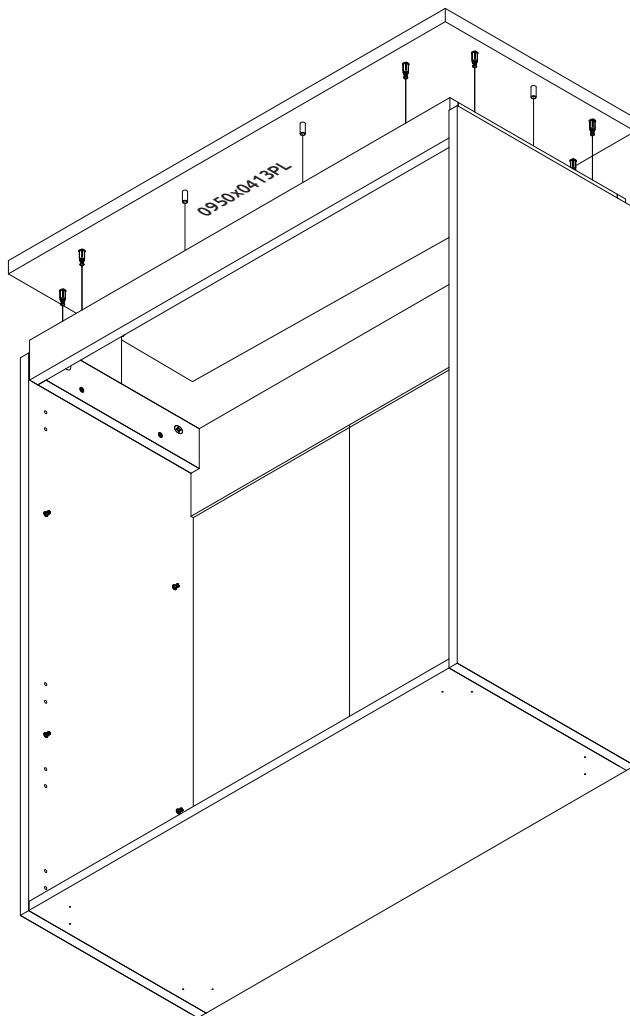
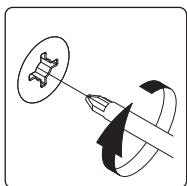
5

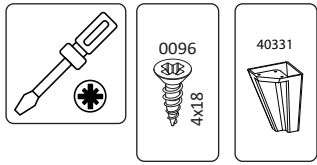


6

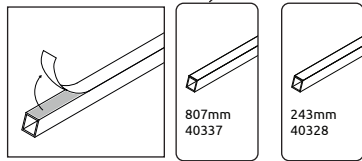
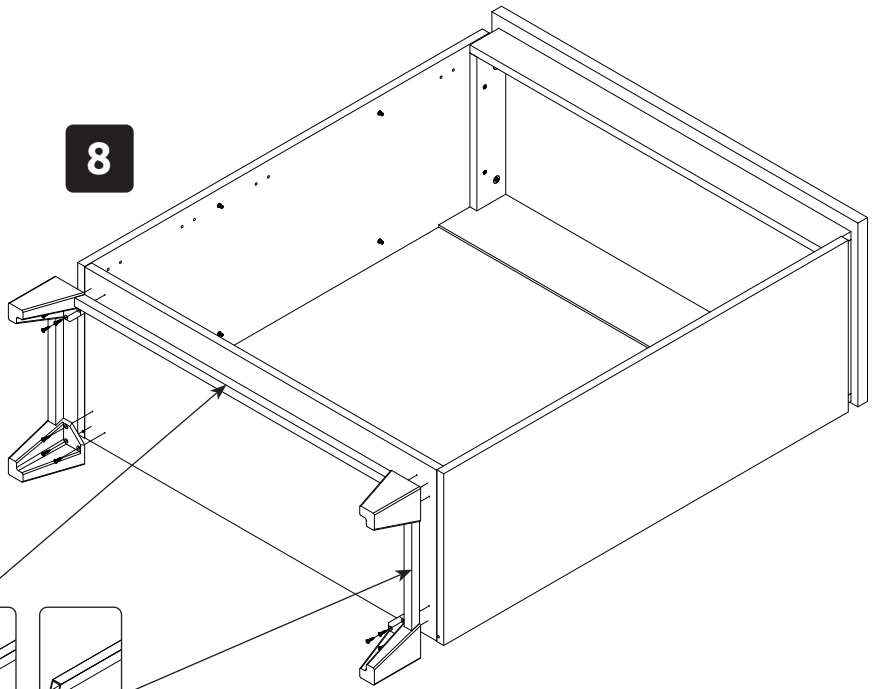


7

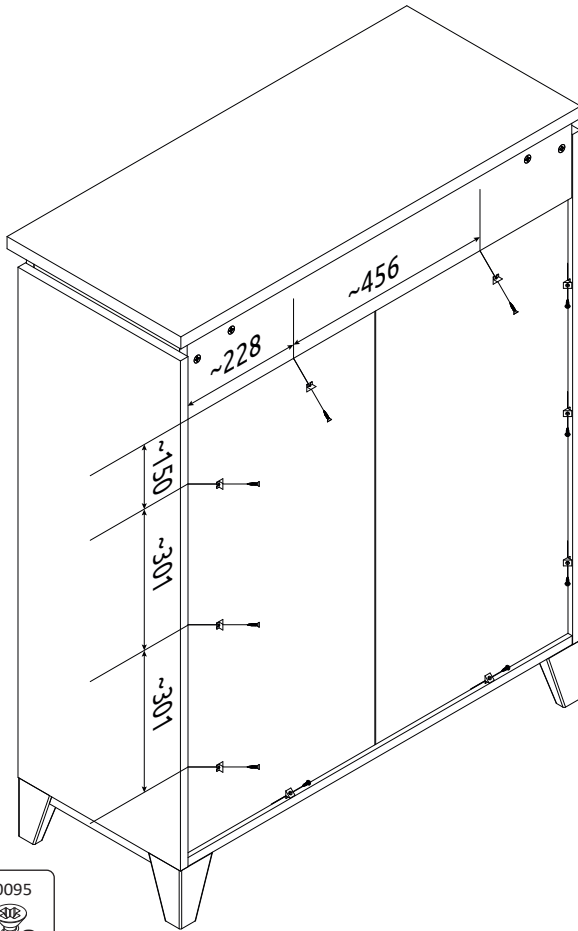
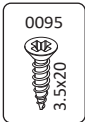
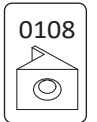
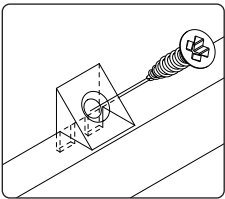
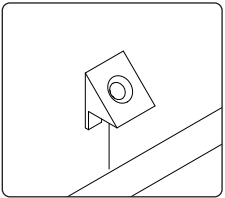




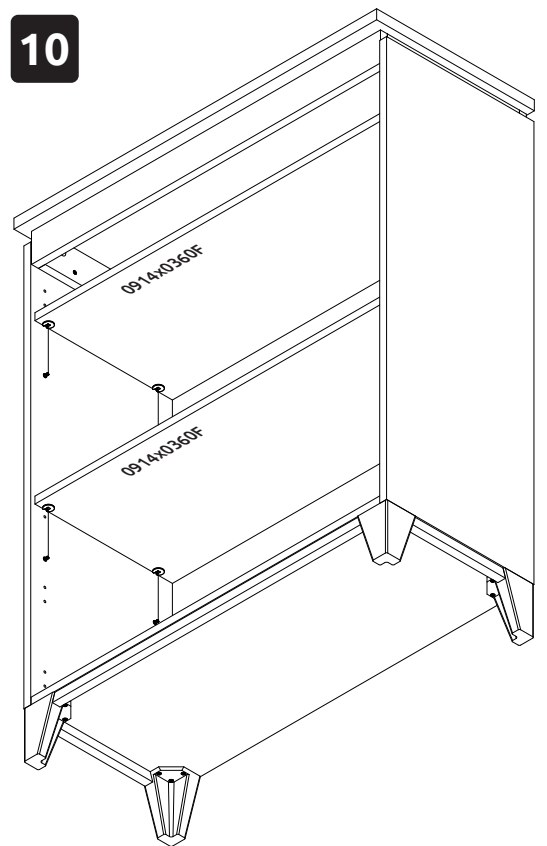
8



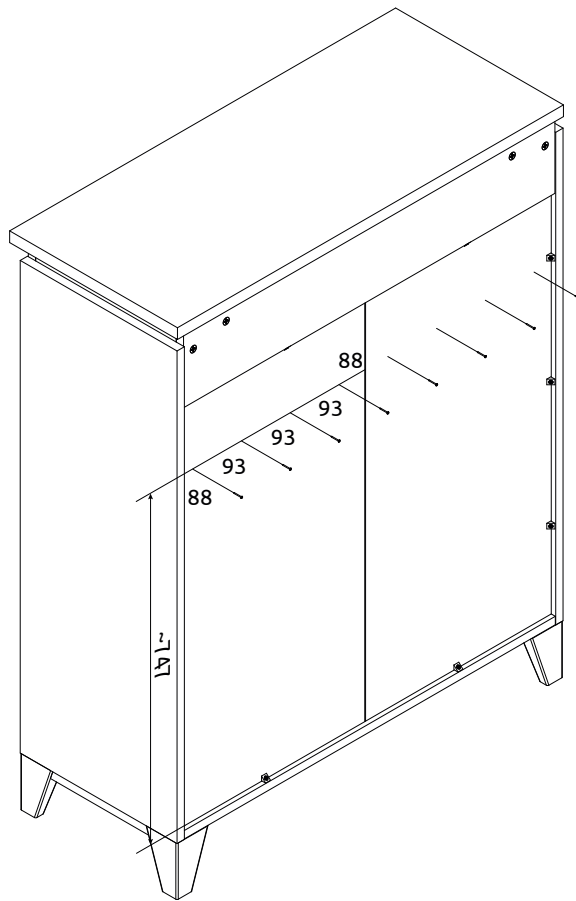
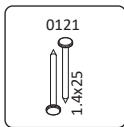
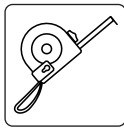
9



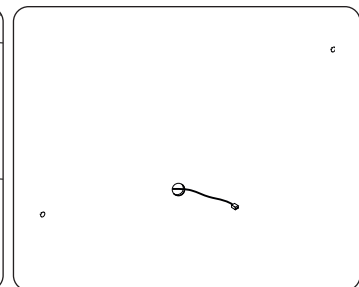
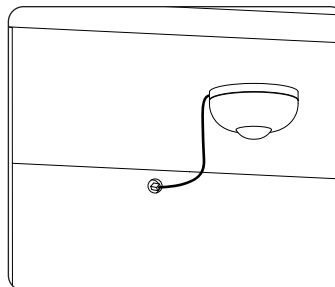
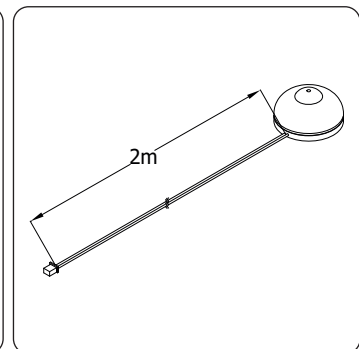
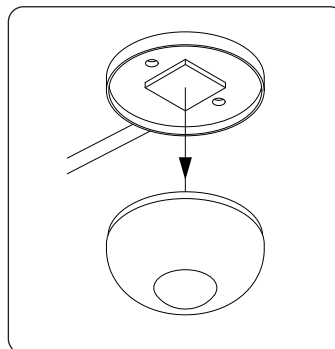
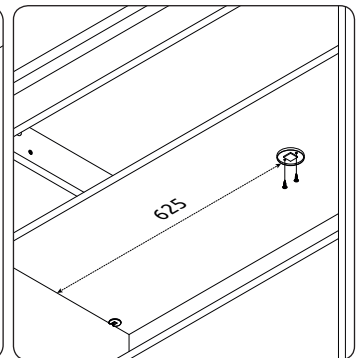
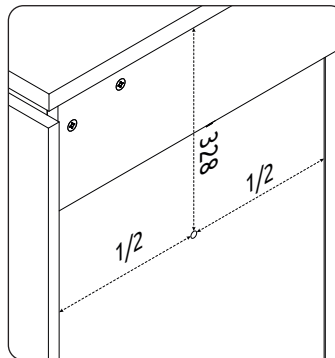
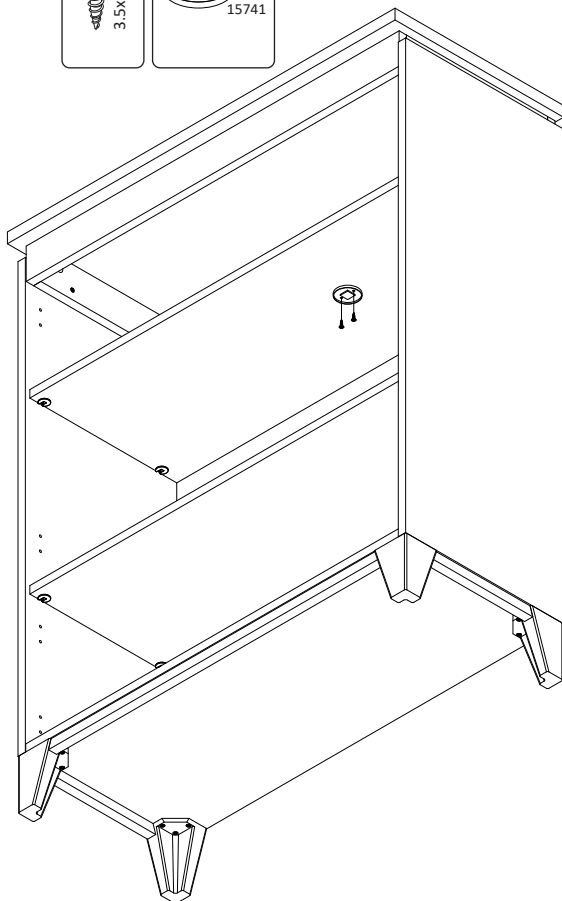
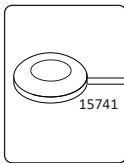
10

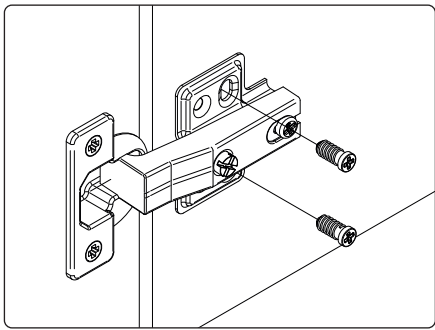


11

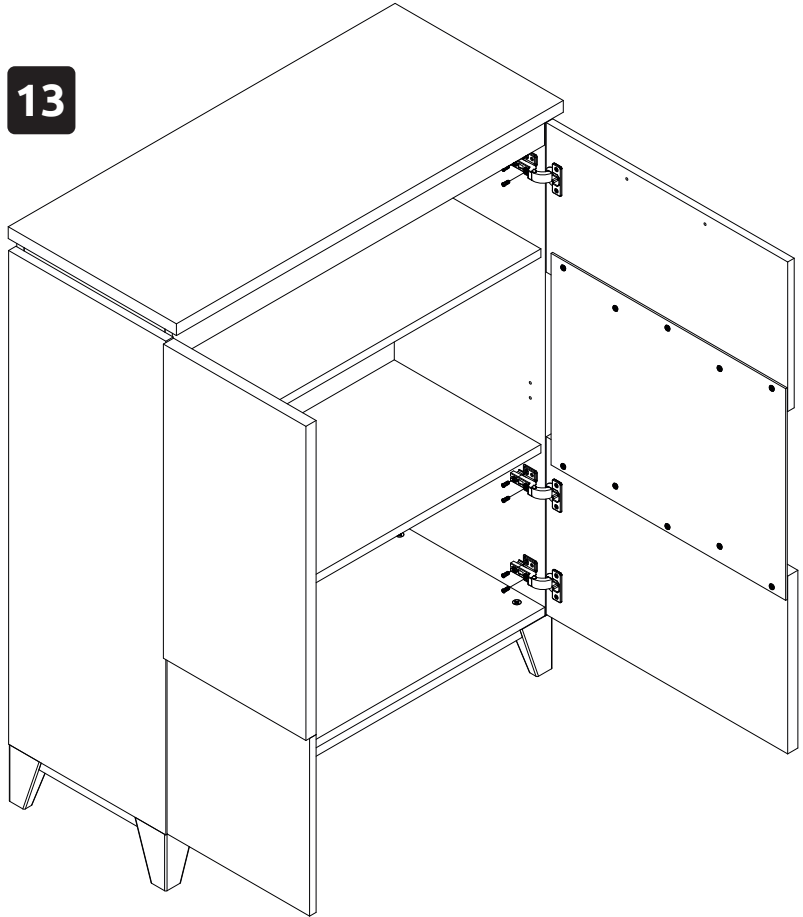
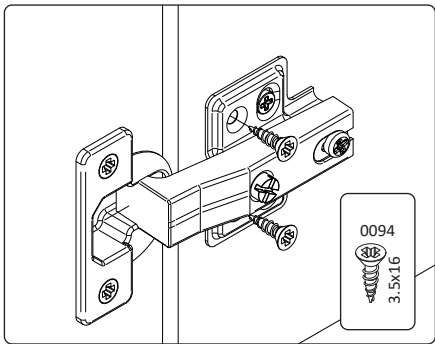
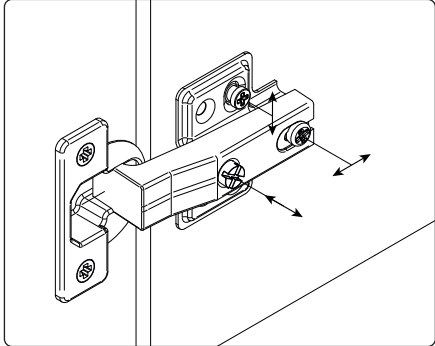


12





**13**



**14**

