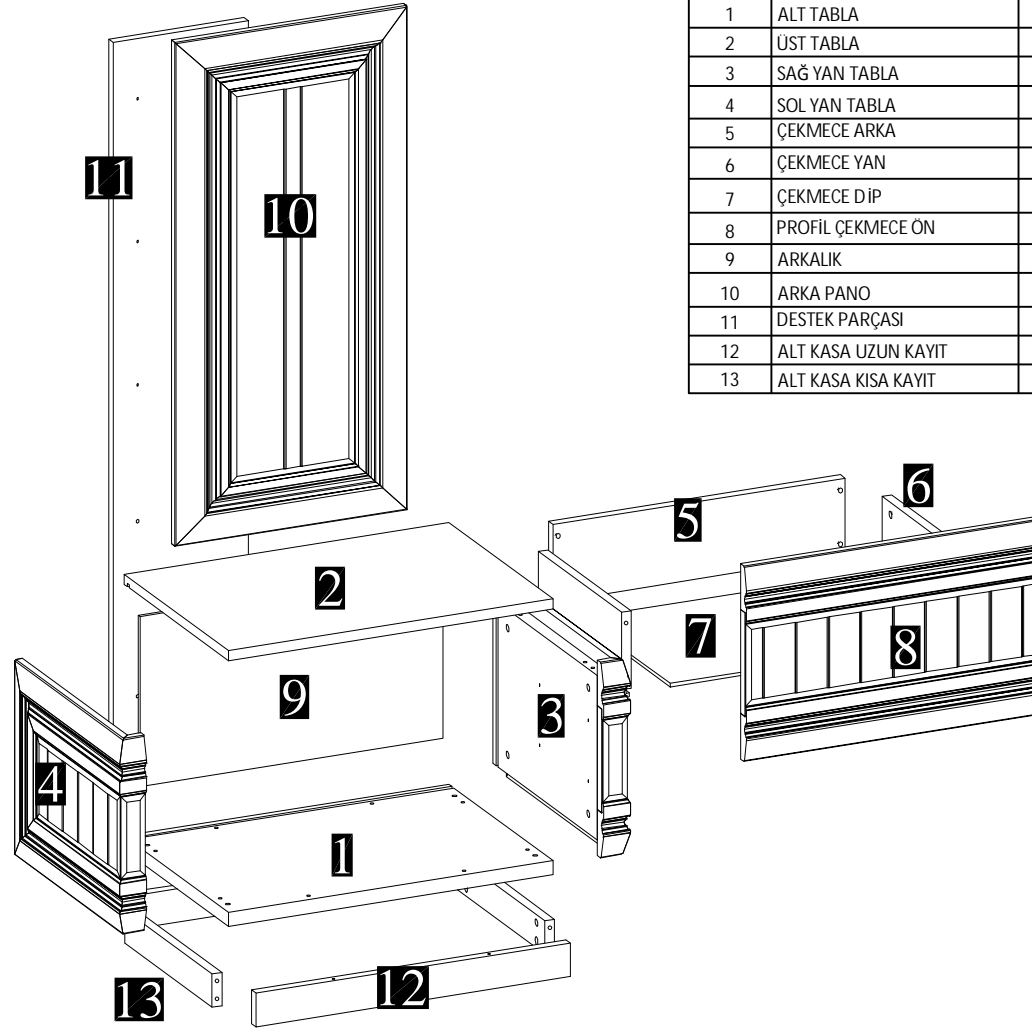
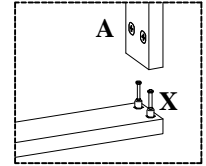
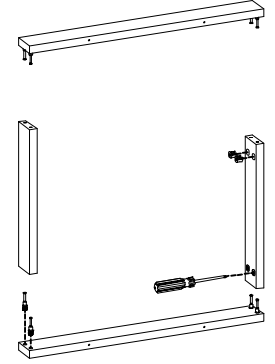


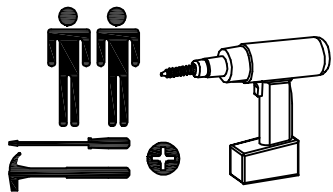
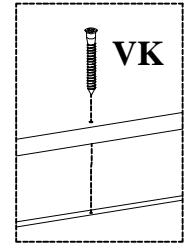
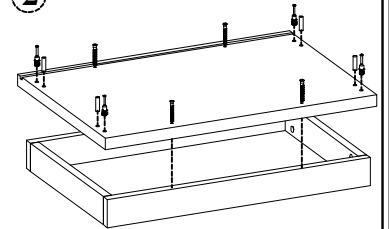
REFAKAT SIRA NO	PARÇA İSİMİ	BOY	EN	KLN	MİK.	BRM
1	ALT TABLA	601	414	25	1	AD
2	ÜST TABLA	601	414	18	1	AD
3	SAĞ YAN TABLA	294	414	25	1	AD
4	SOL YAN TABLA	294	414	25	1	AD
5	ÇEKMECE ARKA	541	138	18	1	AD
6	ÇEKMECE YAN	330	153	18	2	AD
7	ÇEKMECE DİP	354	521	6	1	AD
8	PROFİL ÇEKMECE ÖN	545	185	18	1	AD
9	ARKALIK	561	305	6	1	AD
10	ARKA PANO	734	264	18	1	AD
11	DESTEK PARÇASI	1250	250	18	1	AD
12	ALT KASA UZUN KAYIT	582	60	18	2	AD
13	ALT KASA KISA KAYIT	347	60	18	2	AD



①

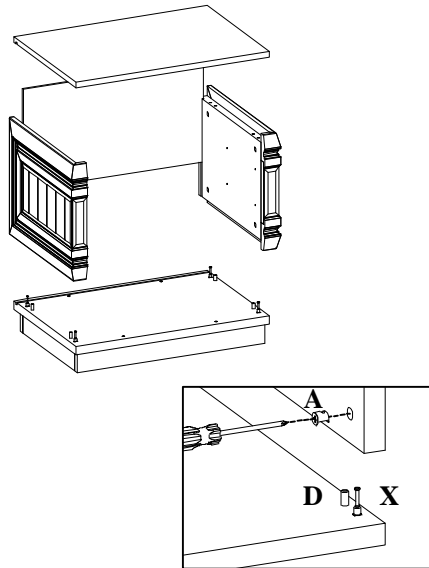


②

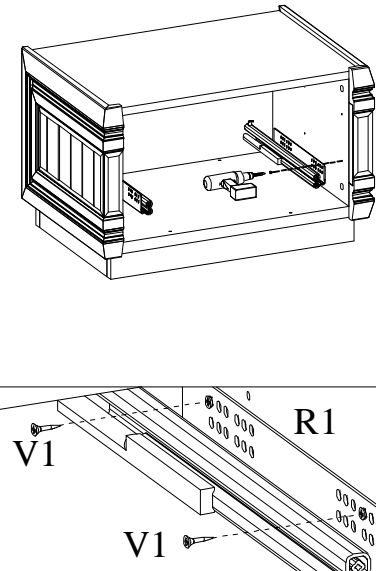


Ø15 MINİFIX BAŞLIK	DUBELLİ MINİFIX MİL	MINİFIX TAPA	PLASTİK KAVELA	3,5*16 YHB	3,5*25 RYHB	4*35 YHB	KABİN VİDASI	350mm TANDEM	SAG-SOL MANDAL
A	X	D	C	V1	V3	V5	VK	R1	R2
24 ADET	24 ADET	24 ADET	8 ADET	8 ADET	2 ADET	6 ADET	8 ADET	1 TAKIM	1 TAKIM

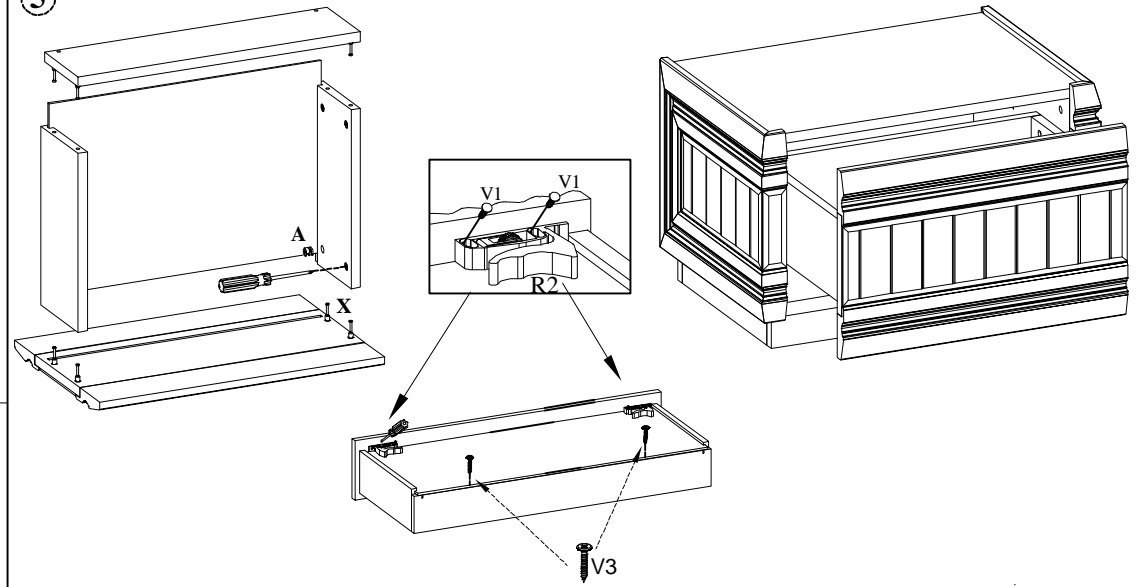
③



④



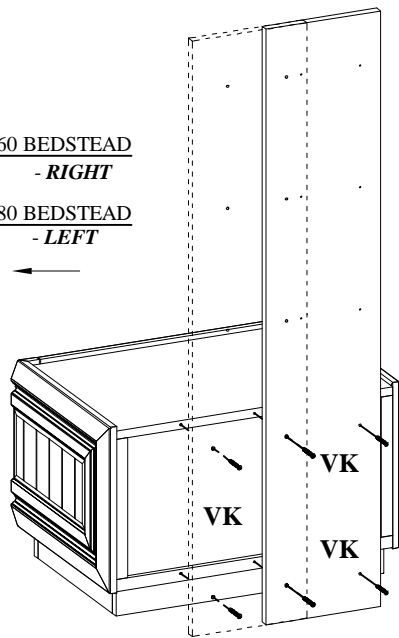
⑤



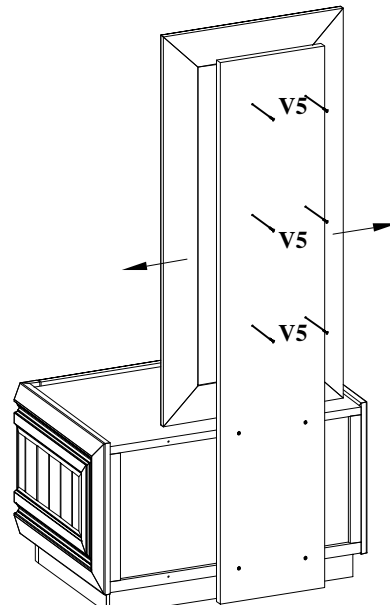
⑥

160 BEDSTEAD
- RIGHT
180 BEDSTEAD
- LEFT

180 BEDSTEAD
- RIGHT
160 BEDSTEAD
- LEFT



⑦



It will be connected according to the direction of the nightstand.

It will be adjusted according to the bedside size.

