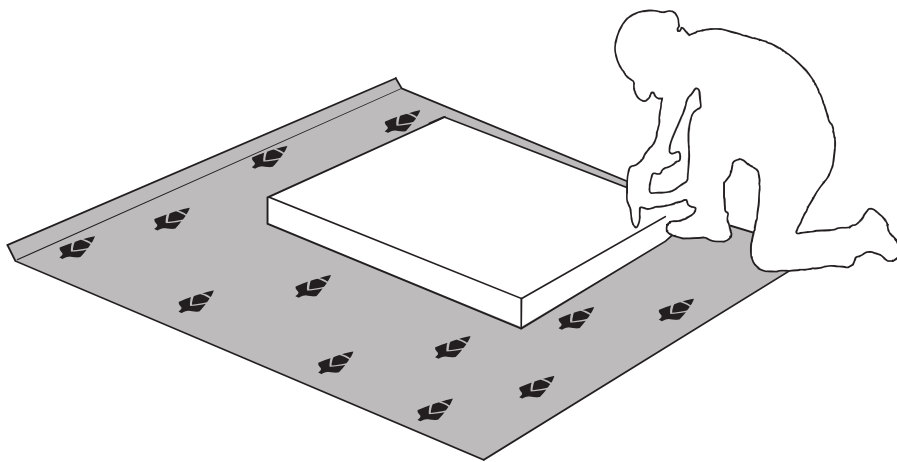
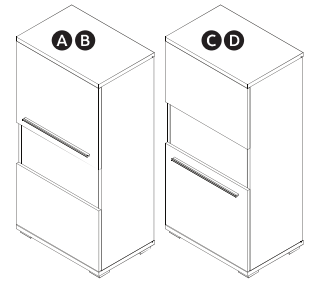
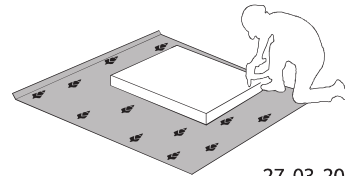
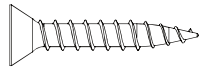
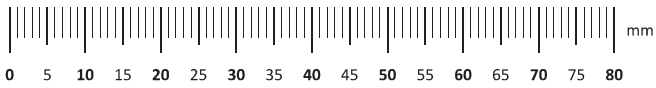
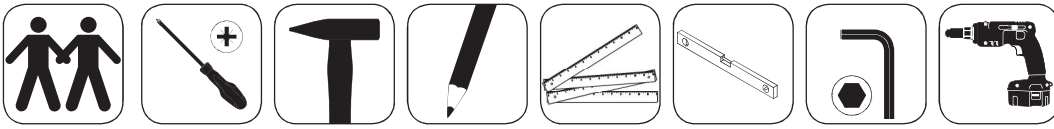




**IMPORTANT – READ CAREFULLY – RETAIN FOR FUTURE REFERENCE**  
**WICHTIG – SORGFÄLTIG LESEN UND AUFBEWAHREN**

**V60-1KS/PN**

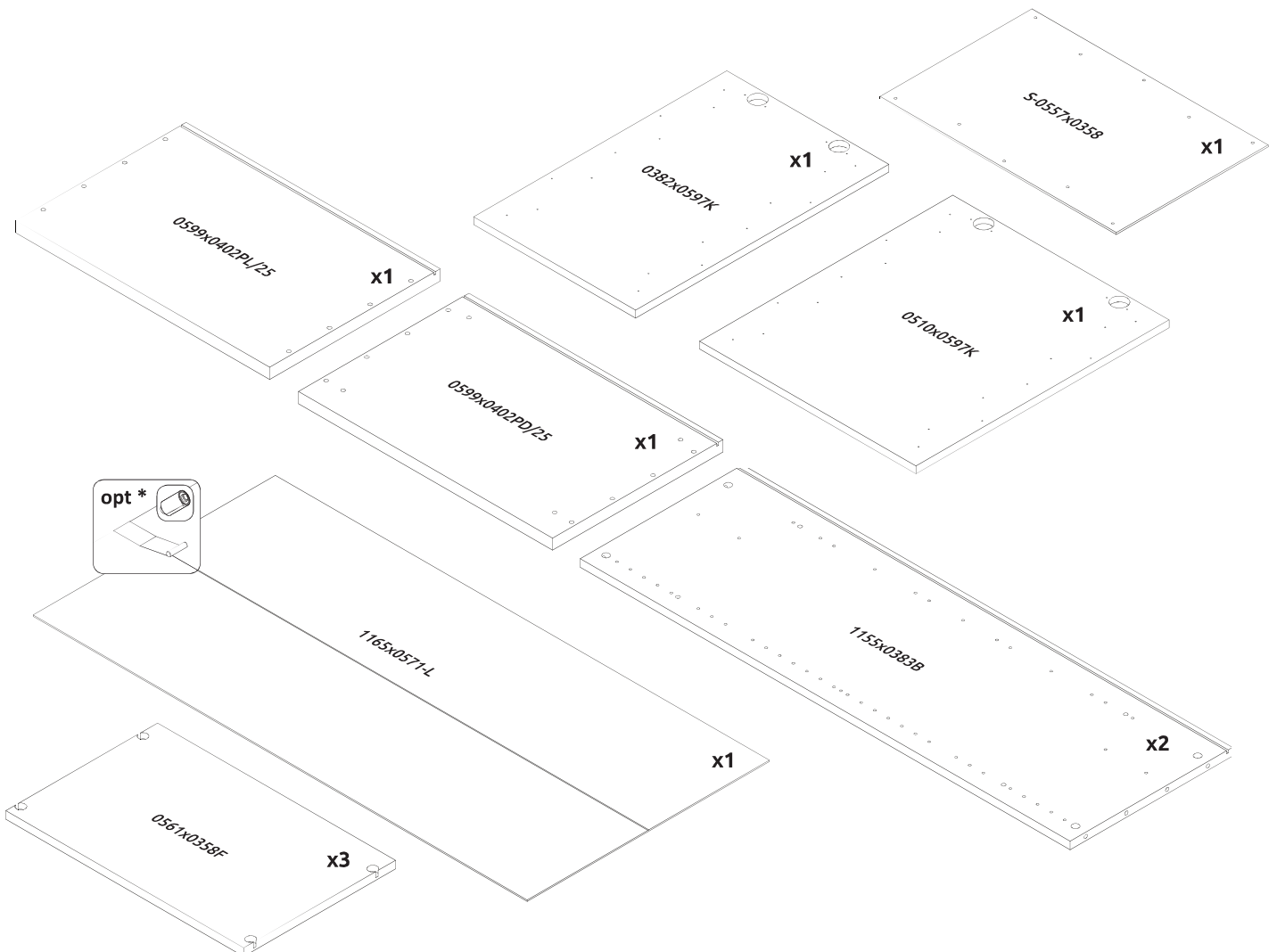


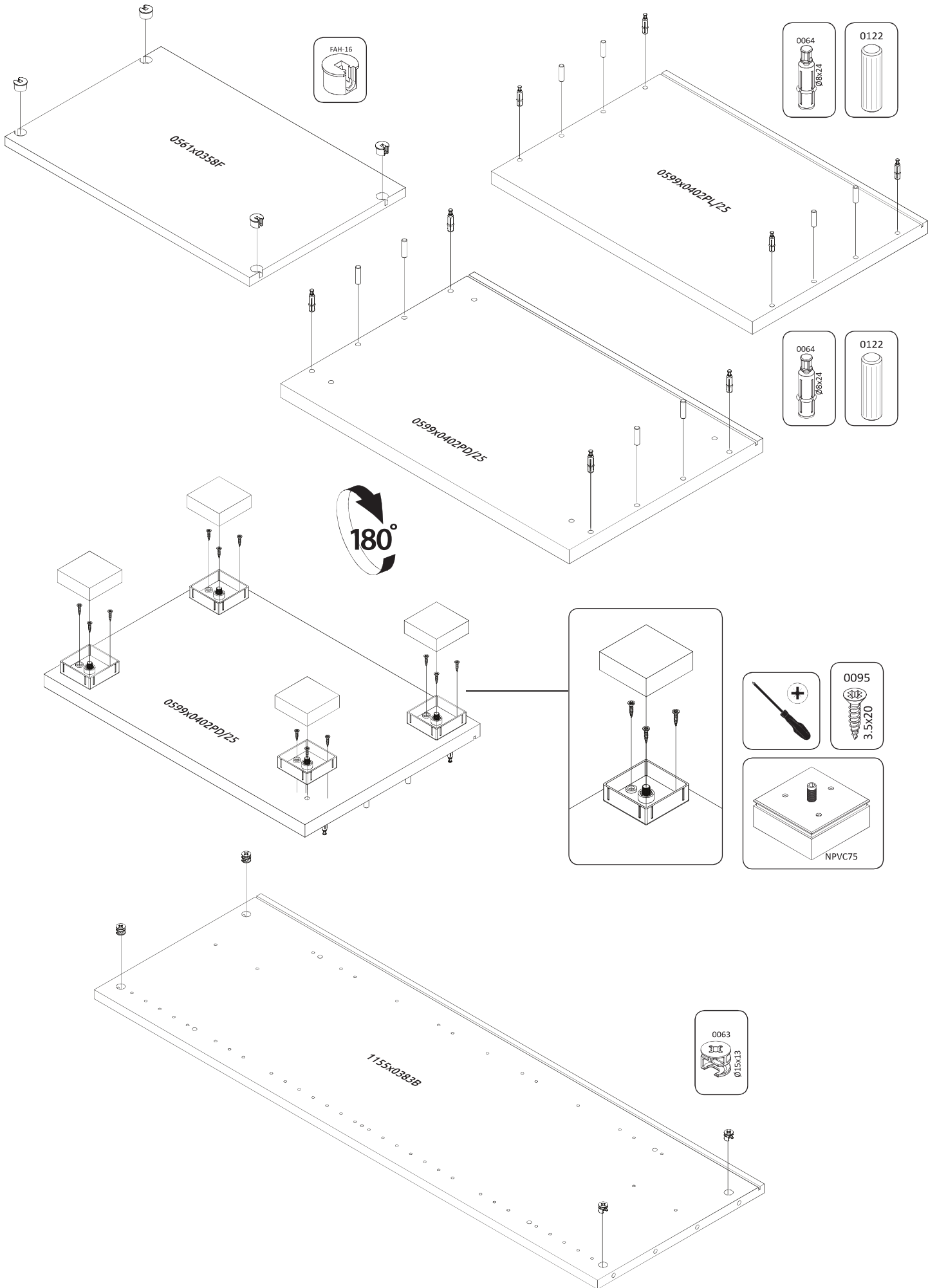


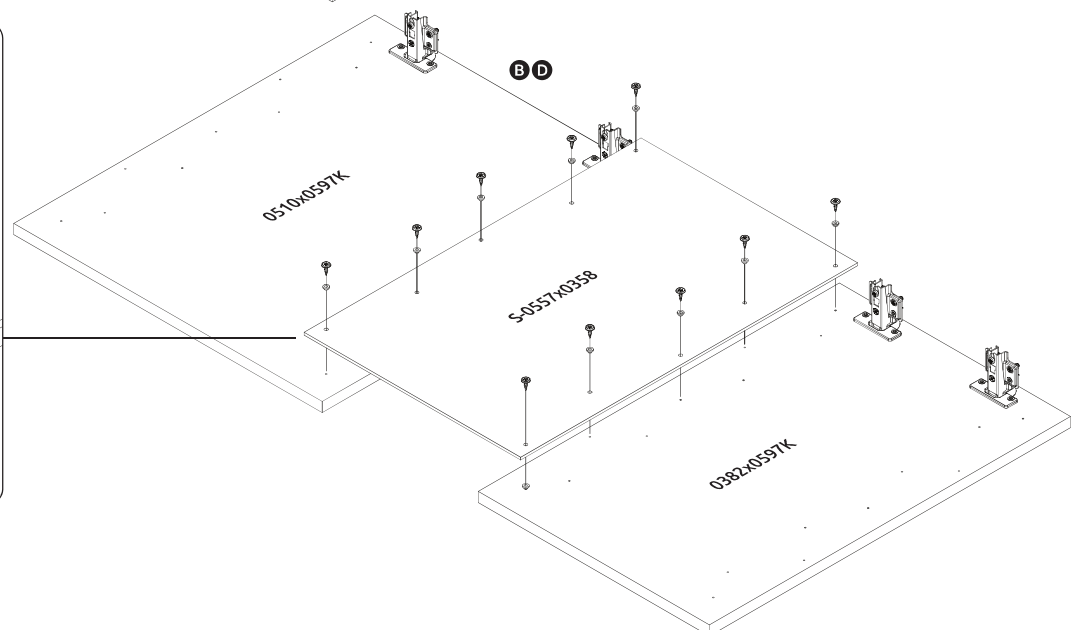
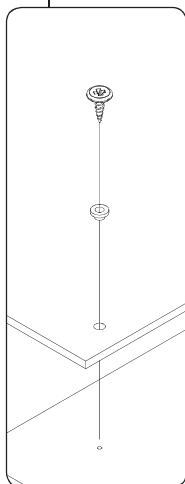
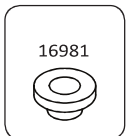
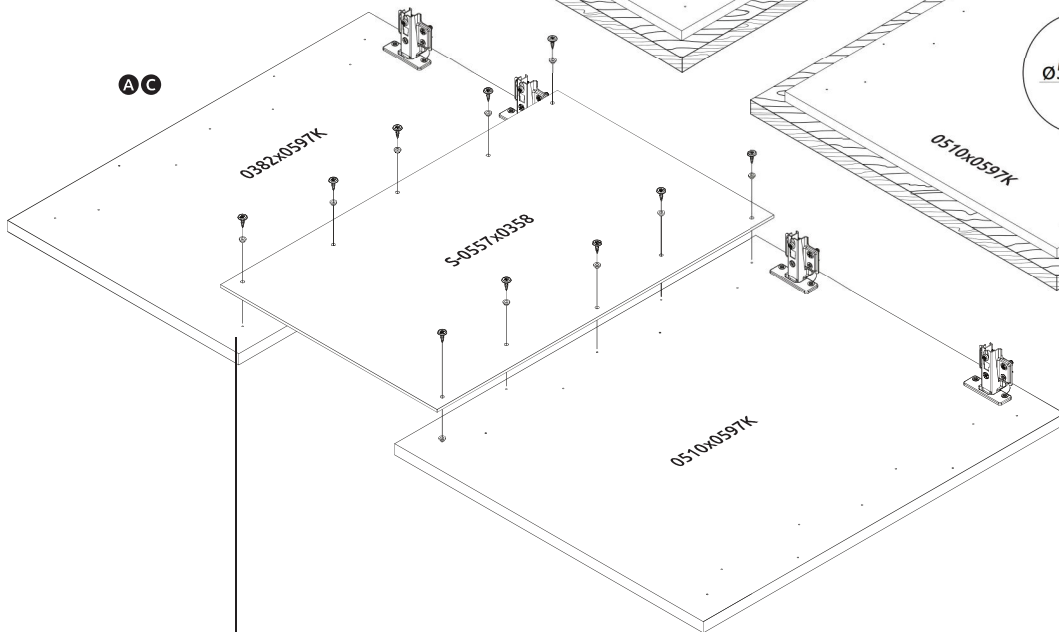
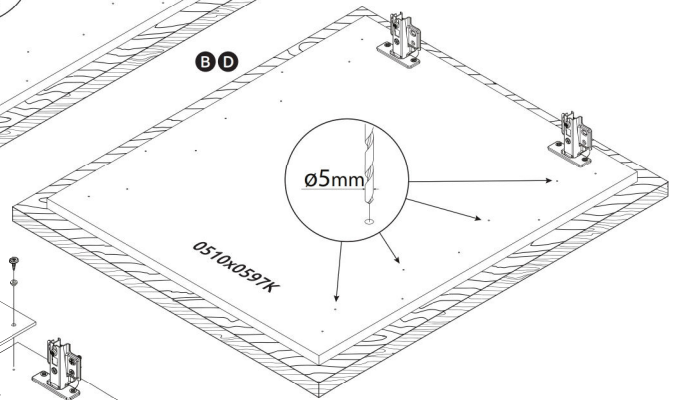
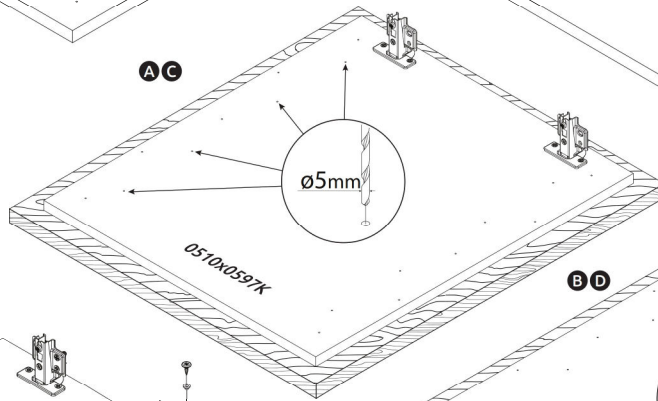
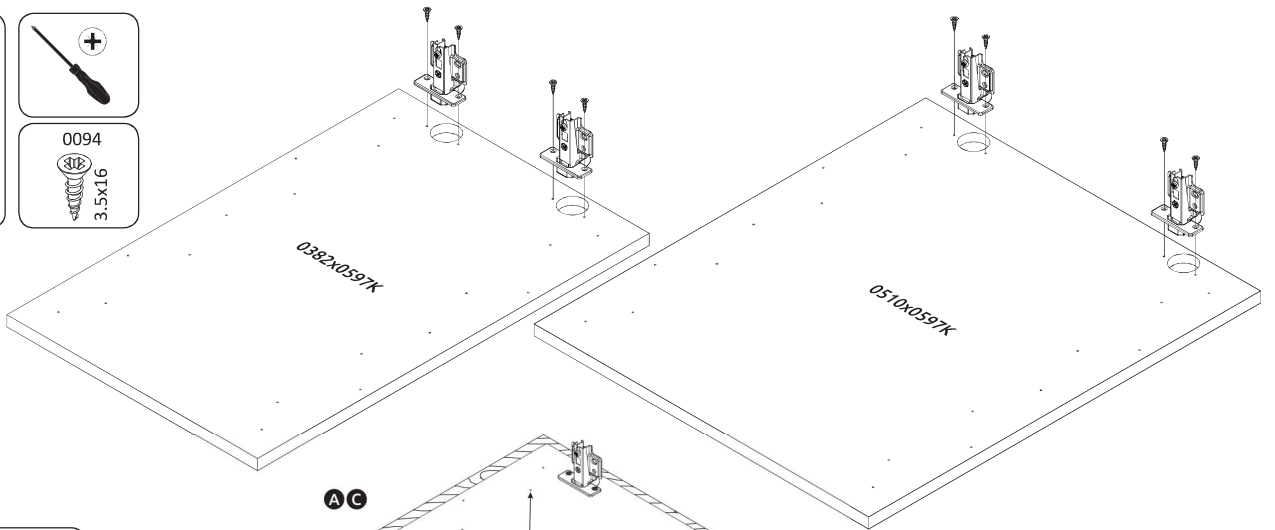
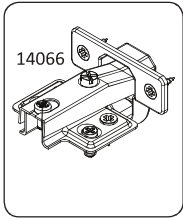
**V60-1KS/PN**  
LWH - 599x402x1230

27.03.2019

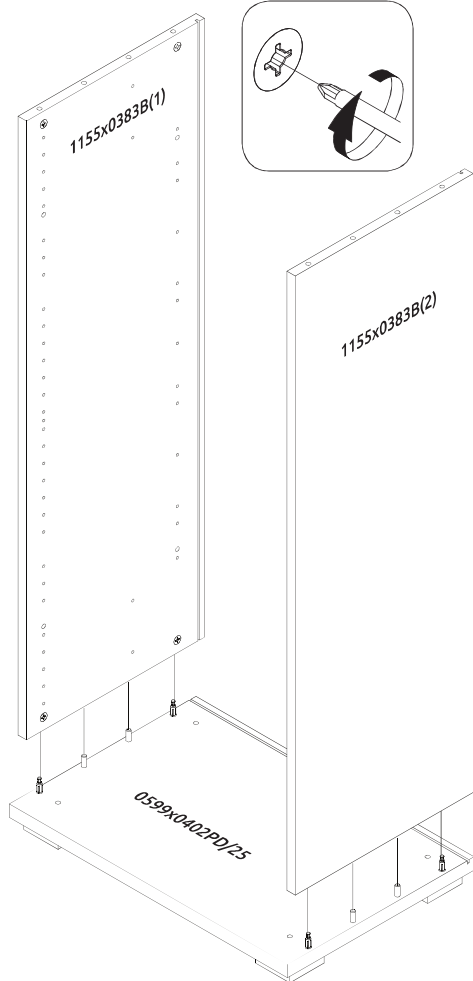
- |                              |                           |                             |                              |                             |                            |                     |                             |                    |                   |                     |                    |                    |
|------------------------------|---------------------------|-----------------------------|------------------------------|-----------------------------|----------------------------|---------------------|-----------------------------|--------------------|-------------------|---------------------|--------------------|--------------------|
| <b>x10</b><br>9012<br>4.2x16 | <b>x2</b><br>0096<br>4x18 | <b>x2</b><br>0094<br>3.5x16 | <b>x10</b><br>0095<br>3.5x20 | <b>x4</b><br>32256<br>V4x23 | <b>x8</b><br>0064<br>Ø8x24 | <b>x12</b><br>16535 | <b>x8</b><br>0063<br>Ø15x13 | <b>x8</b><br>EKSK4 | <b>x1</b><br>6319 | <b>x10</b><br>16981 | <b>x10</b><br>0108 | <b>x20</b><br>CEP8 |
| <b>x8</b><br>0121<br>1.4x25  | <b>x8</b><br>0122         | <b>x12</b><br>FAH-16        | <b>x1</b><br>30820           | <b>x1</b><br>15741          | <b>x4</b><br>NPVC75        | <b>x4</b><br>14066  | <b>x1</b><br>10397          |                    |                   |                     |                    |                    |



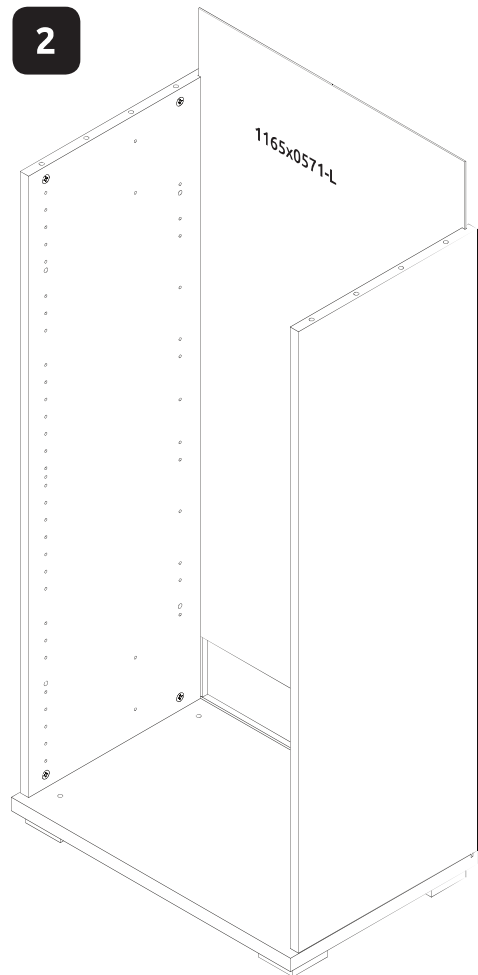




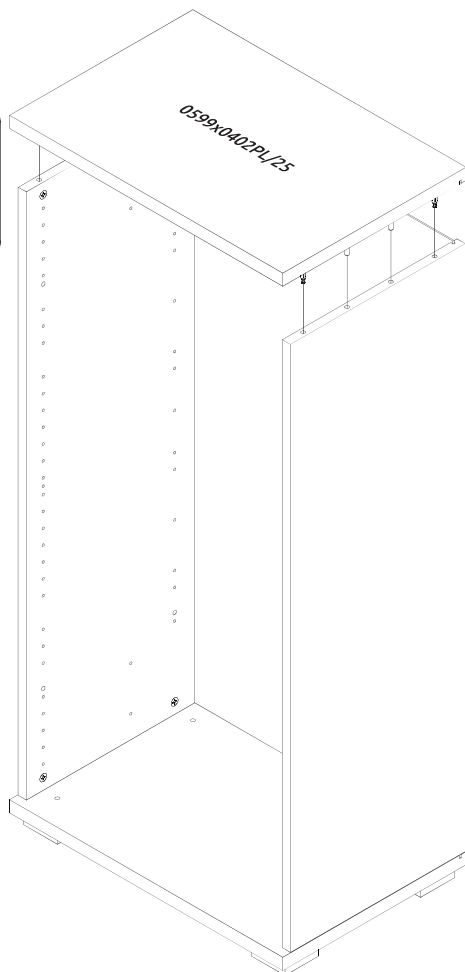
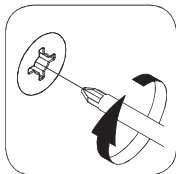
1



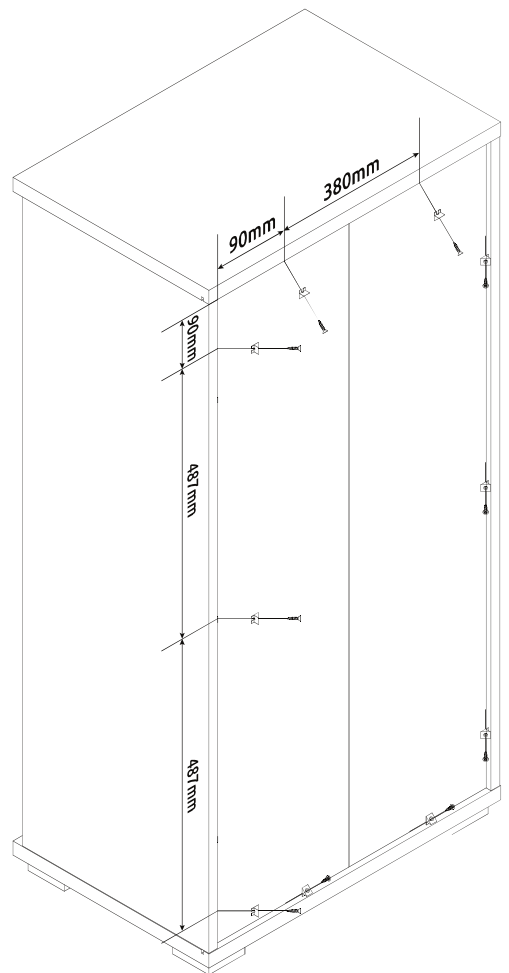
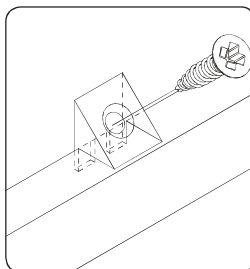
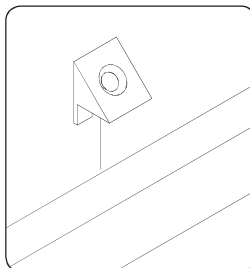
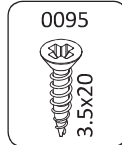
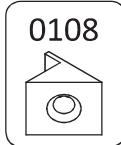
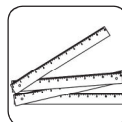
2



3

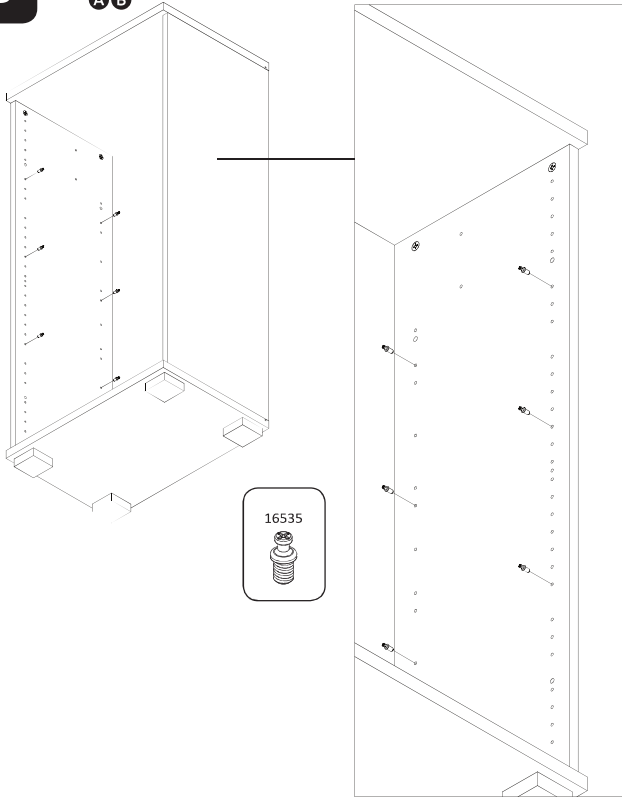


4

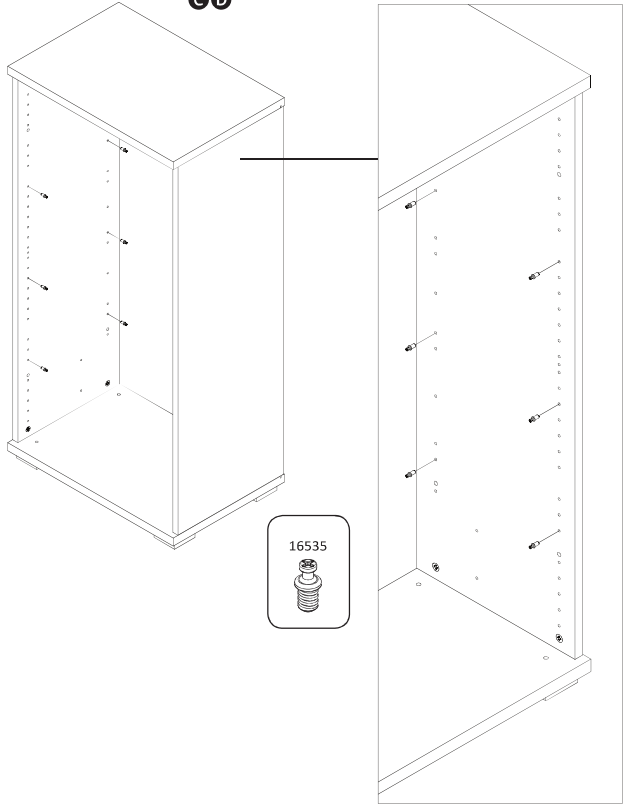


5

A B

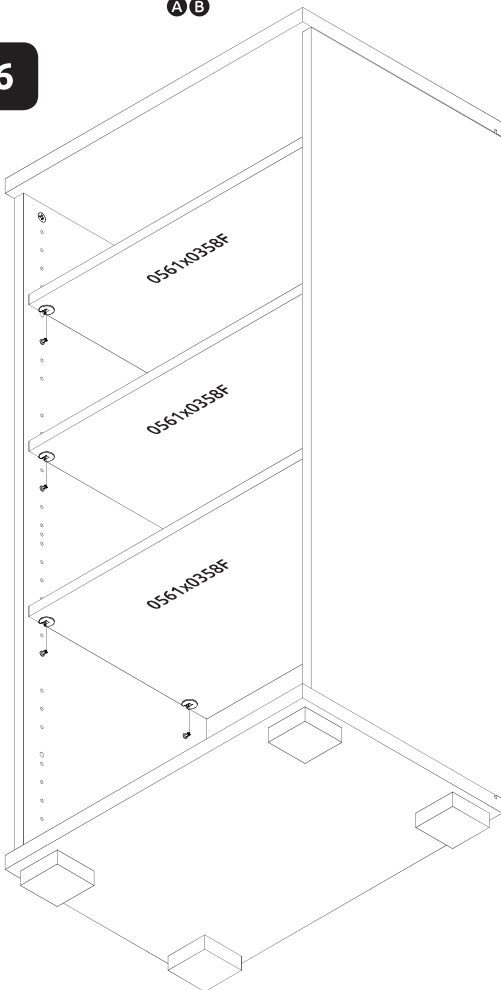


C D

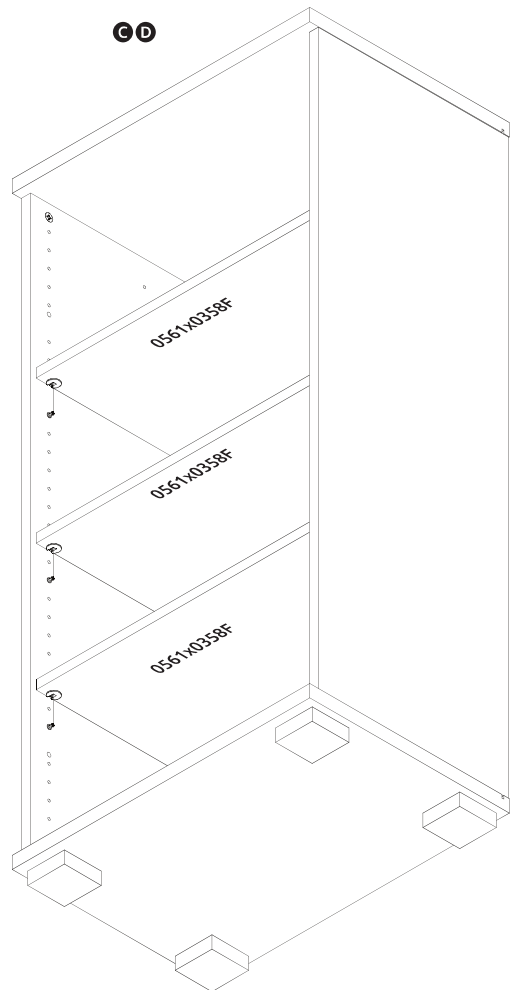


6

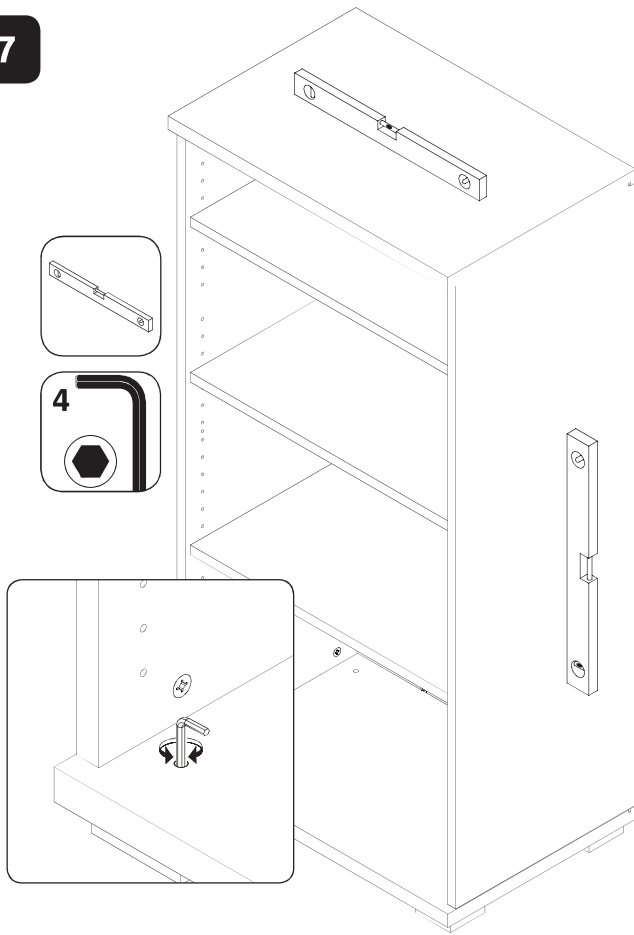
A B



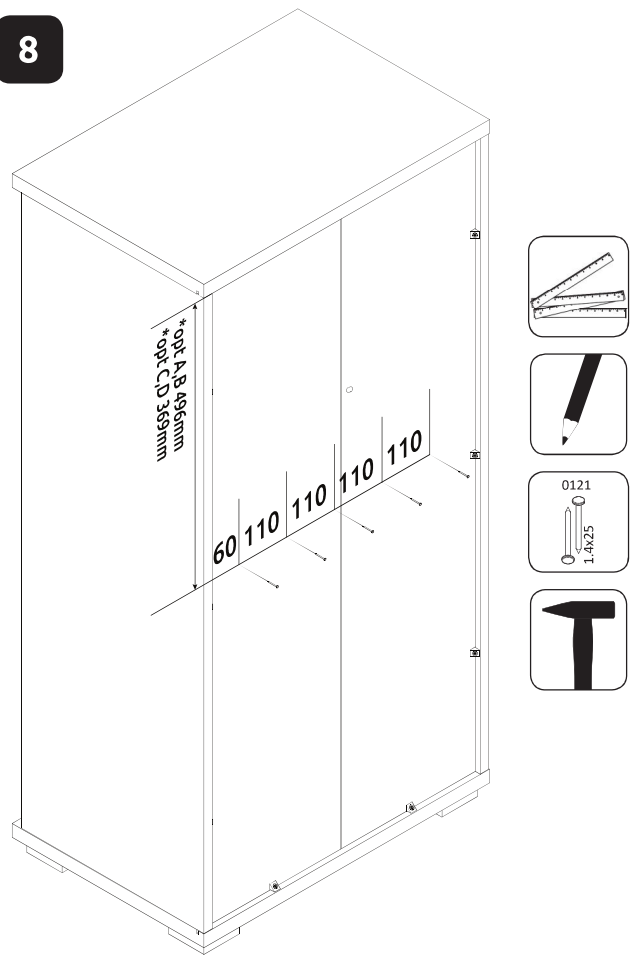
C D



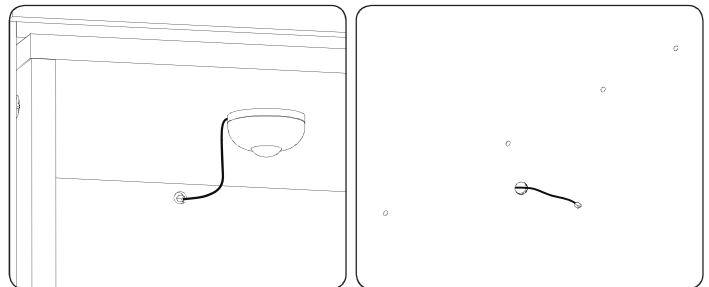
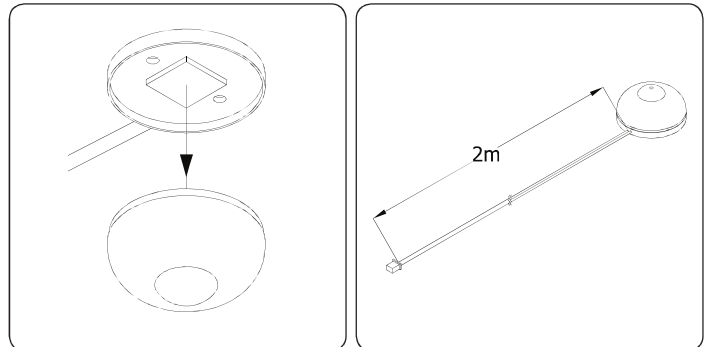
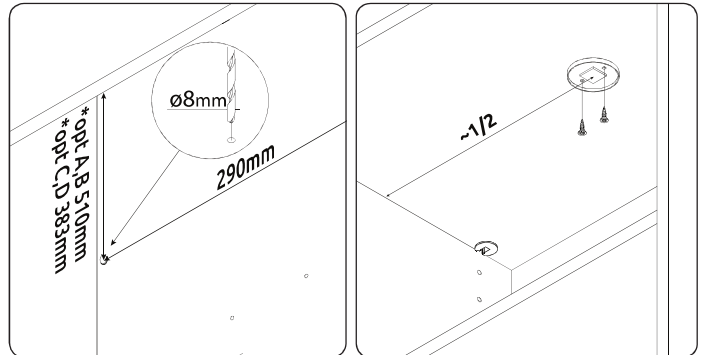
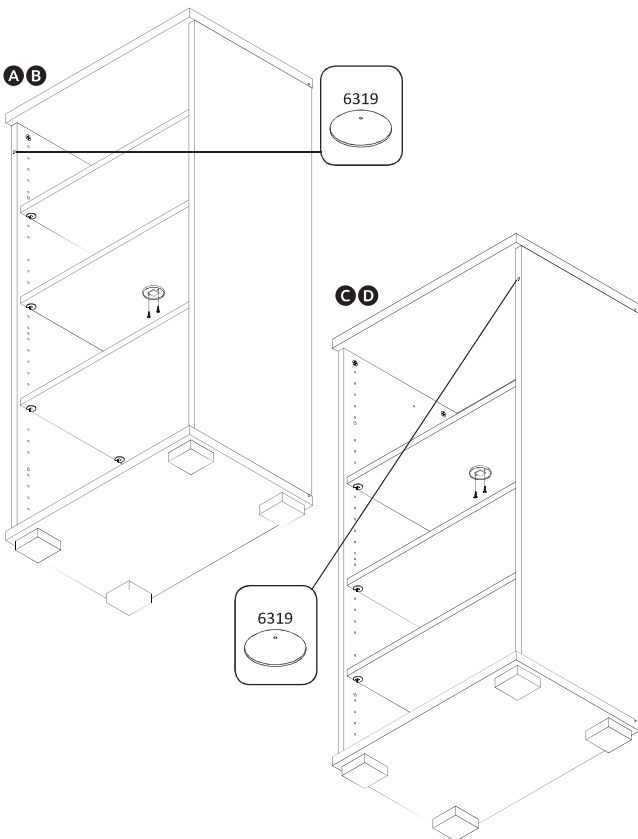
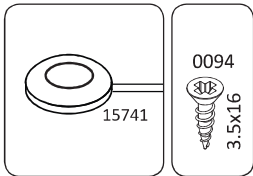
7



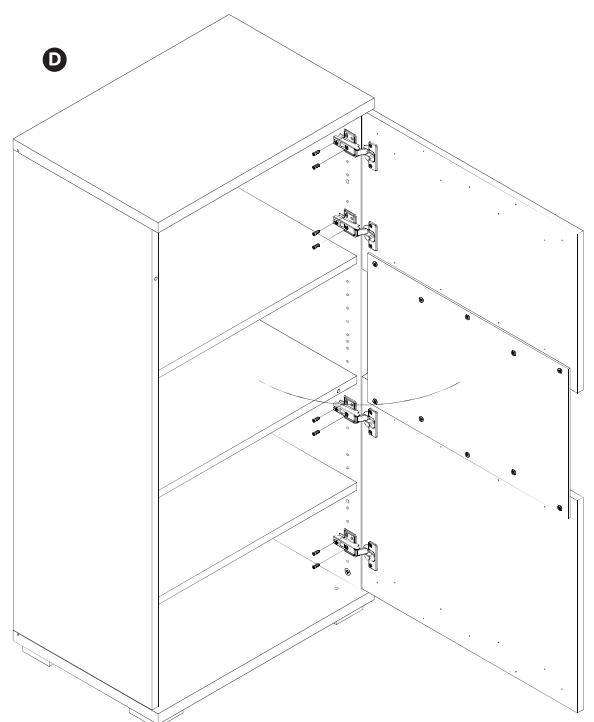
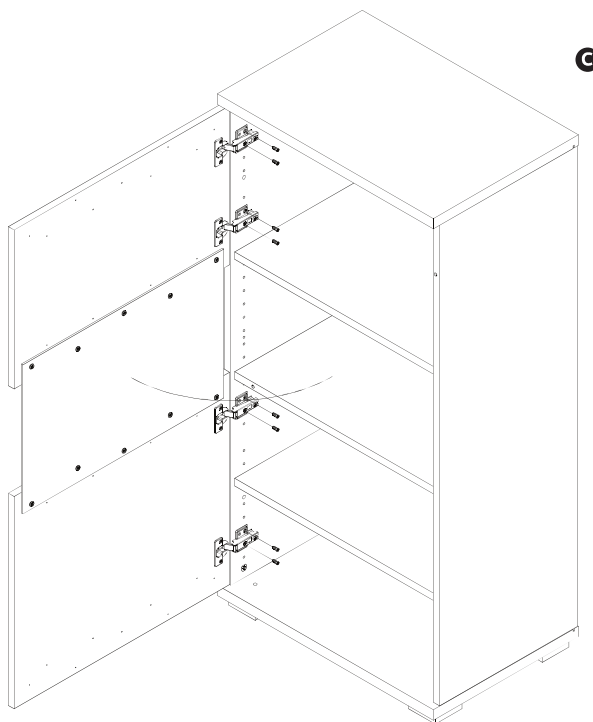
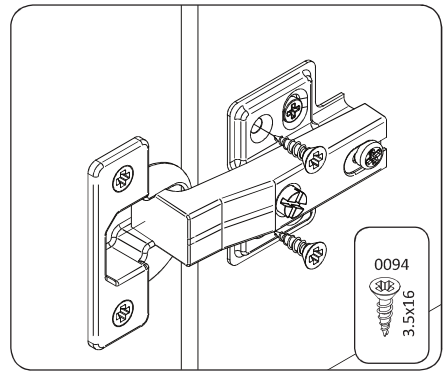
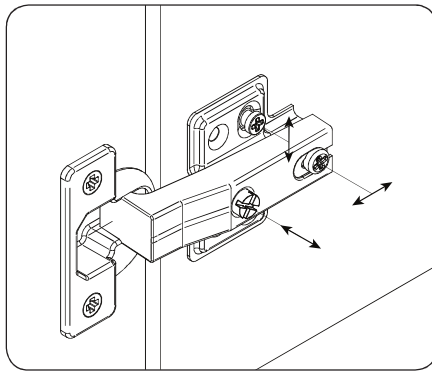
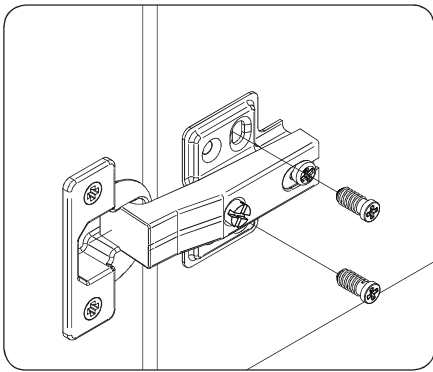
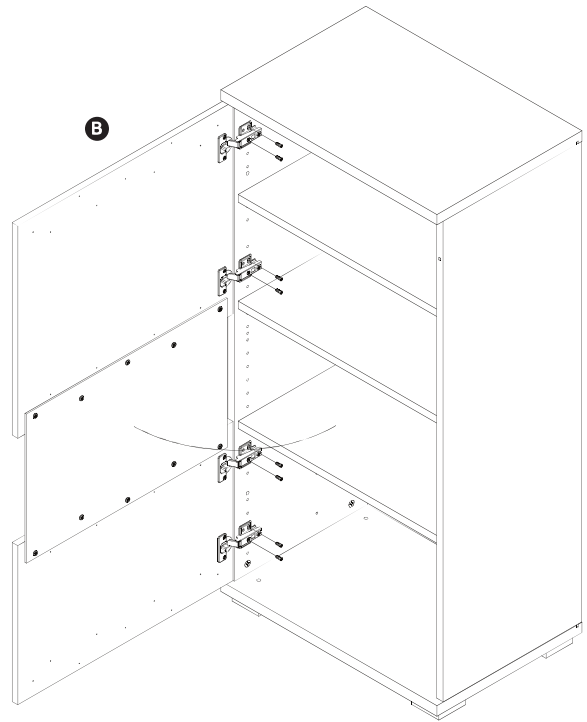
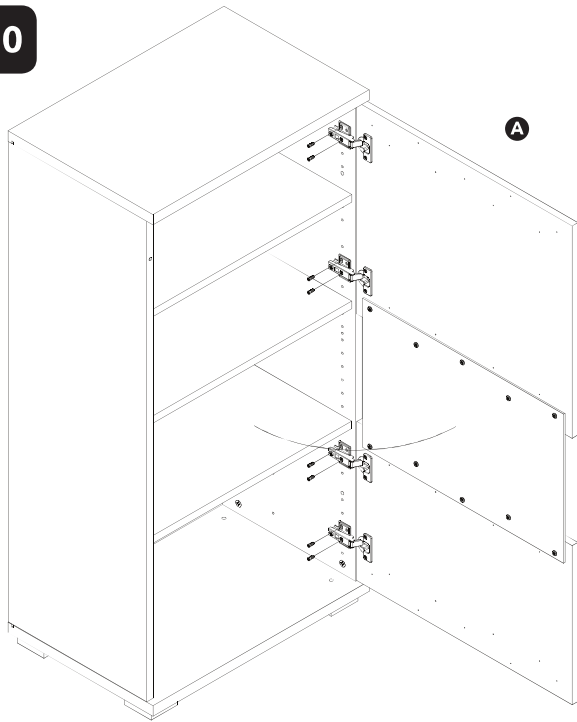
8



9

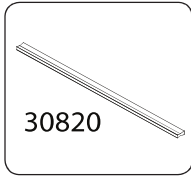
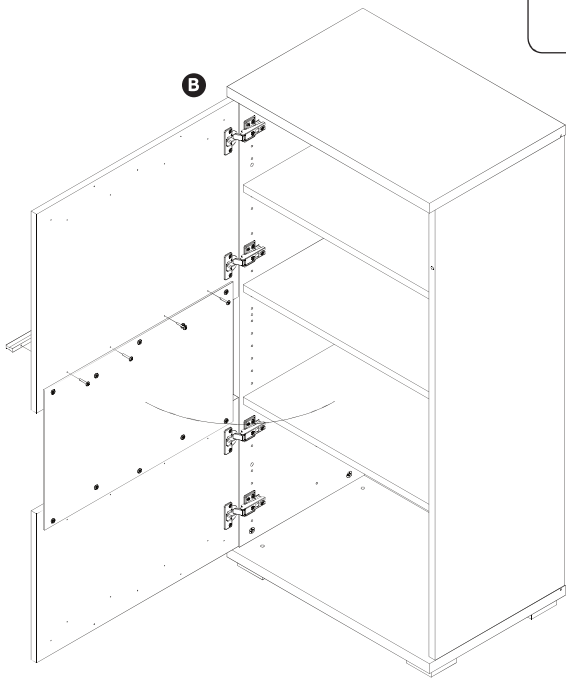


10

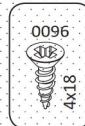
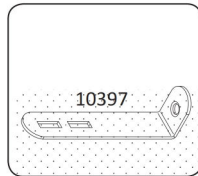
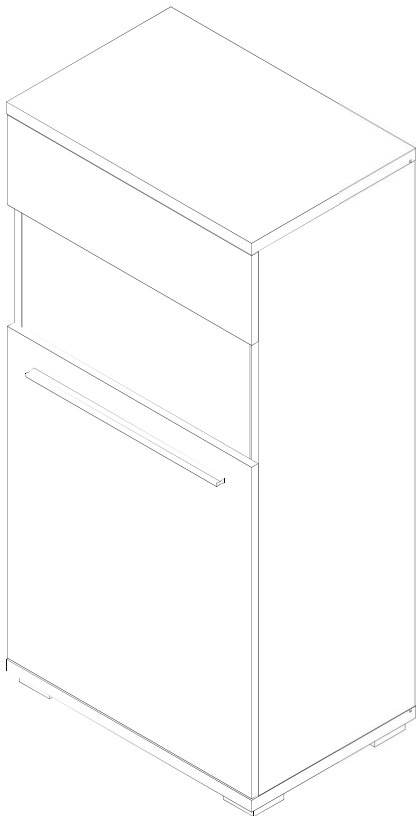
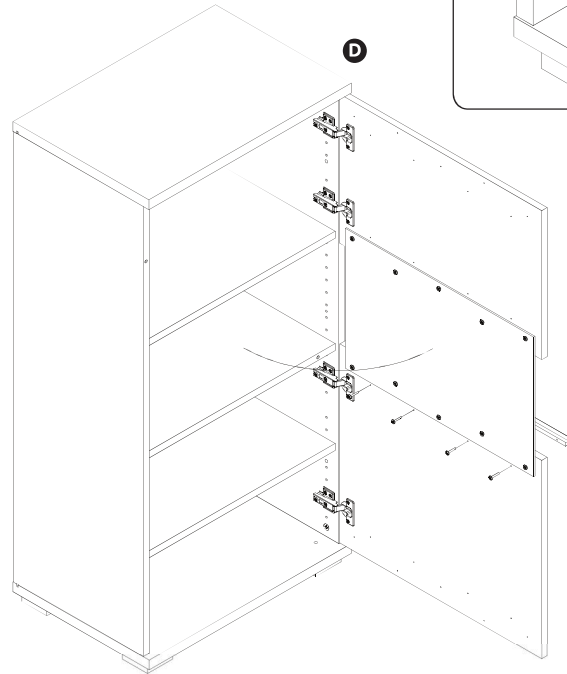
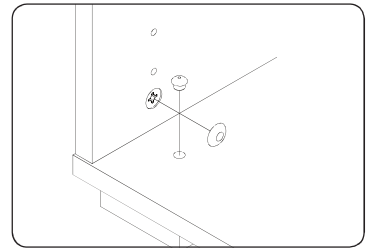
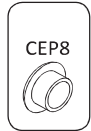




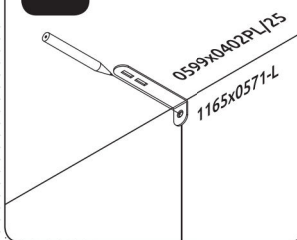
11



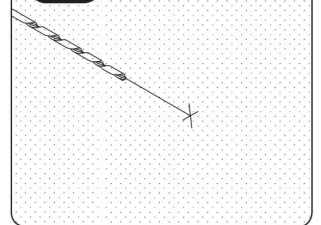
12



13



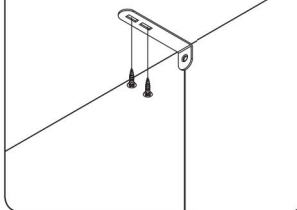
14



15



16



17

