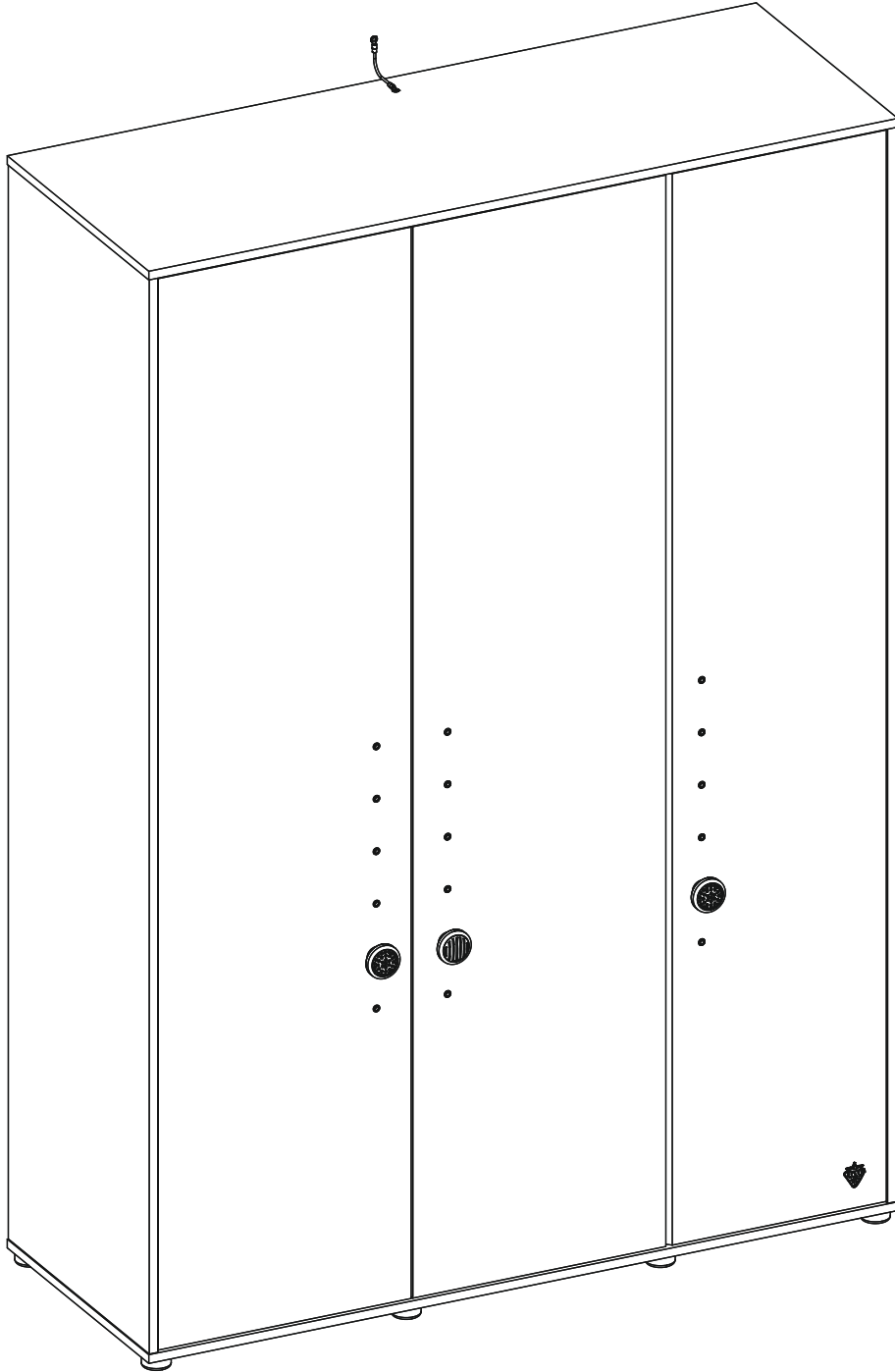
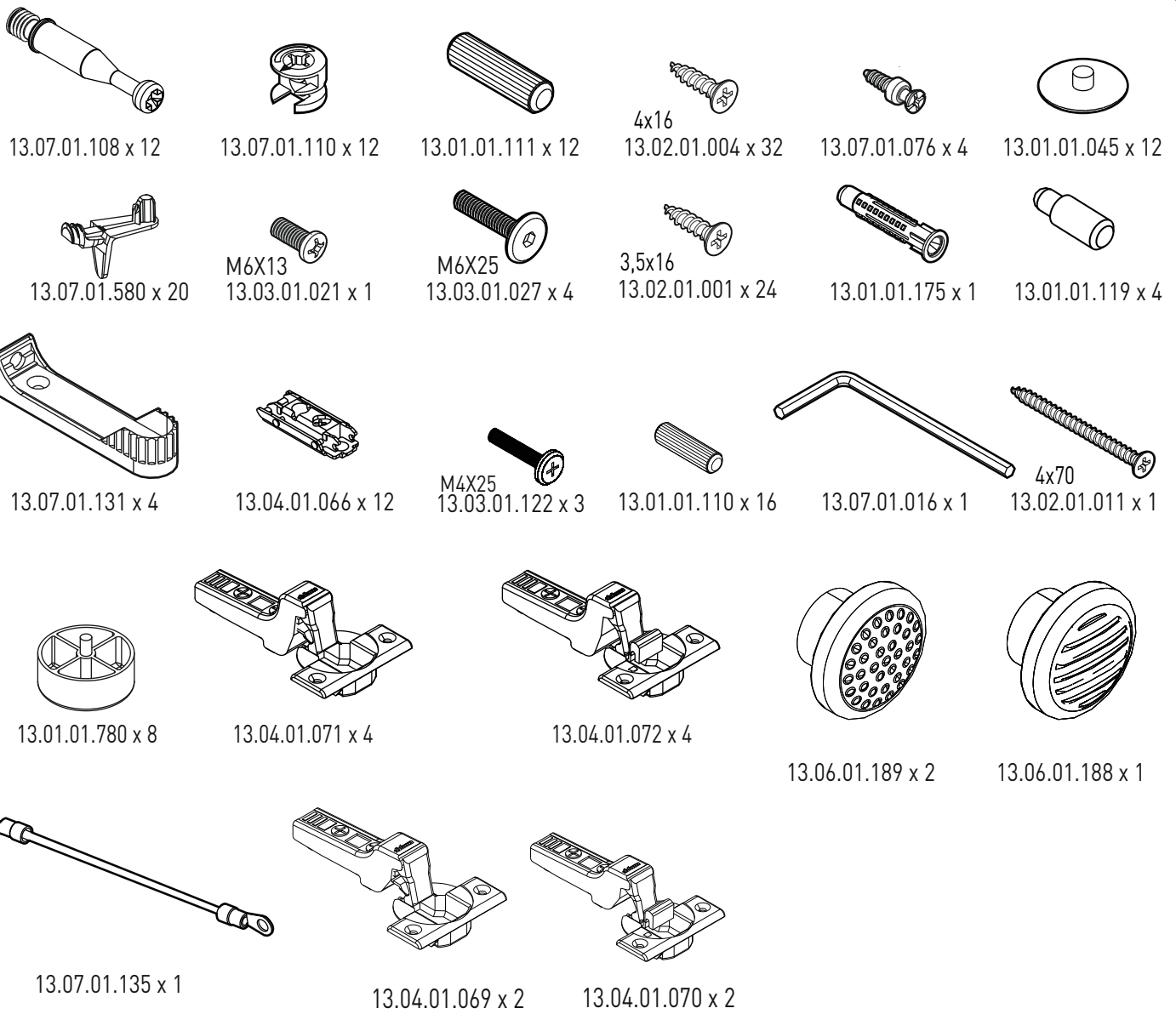
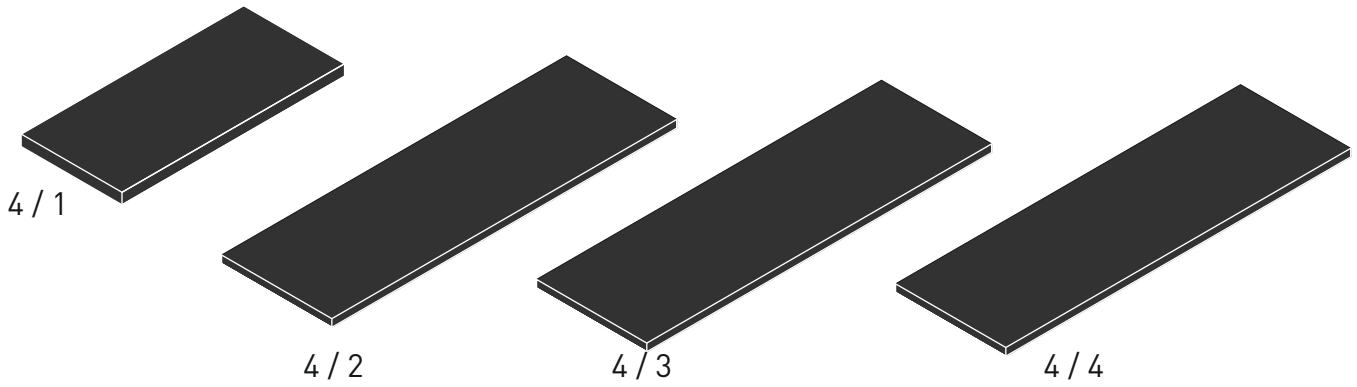
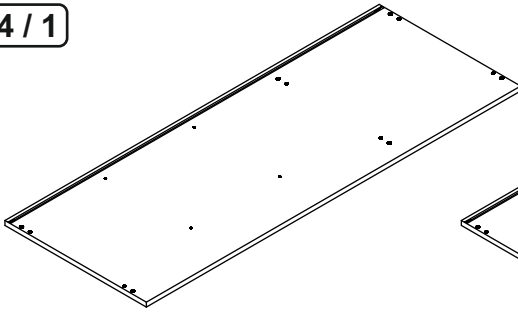


# 20.77.1002.00

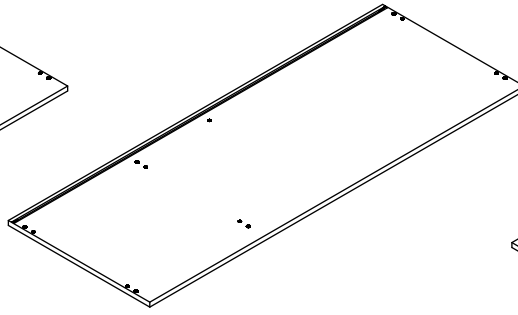




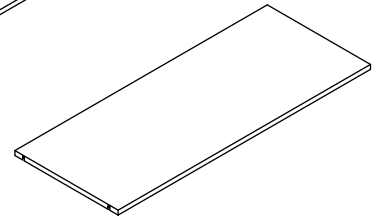
4 / 1



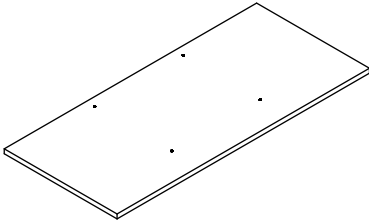
18.77.1002.003 x 1



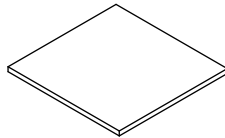
18.77.1002.004 x 1



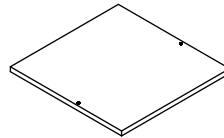
18.77.1002.010 x 1



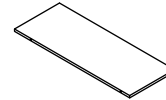
18.77.1002.011 x 1



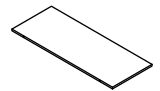
18.77.1002.006 x 2



18.77.1002.007 x 1

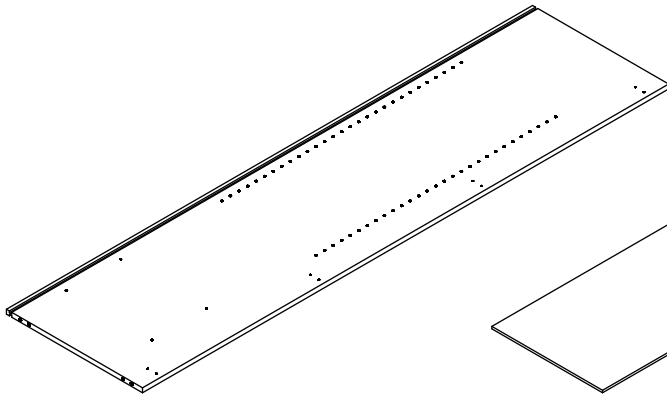


18.77.1002.012 x 1

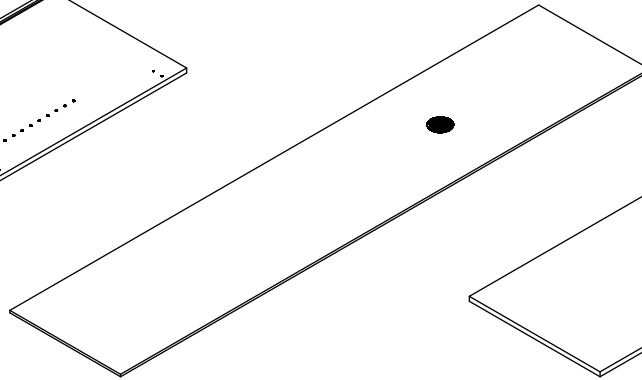


18.77.1002.013 x 1

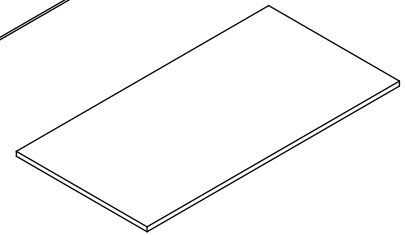
4 / 2



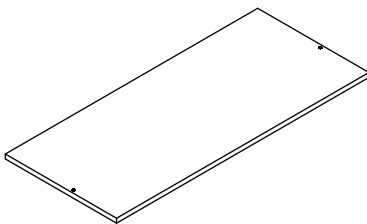
18.77.1002.005 x 1



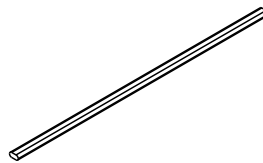
18.77.1002.018 x 1



18.77.1002.008 x 1



18.77.1002.009 x 1

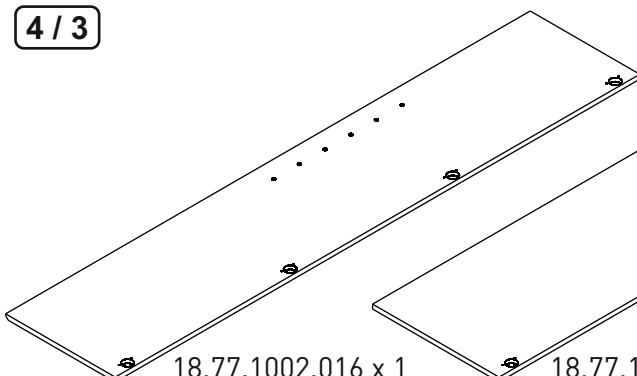


18.77.1002.201 x 1

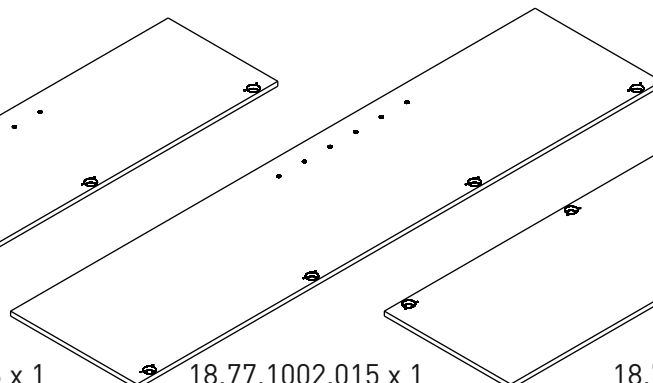


18.77.1002.202 x 1

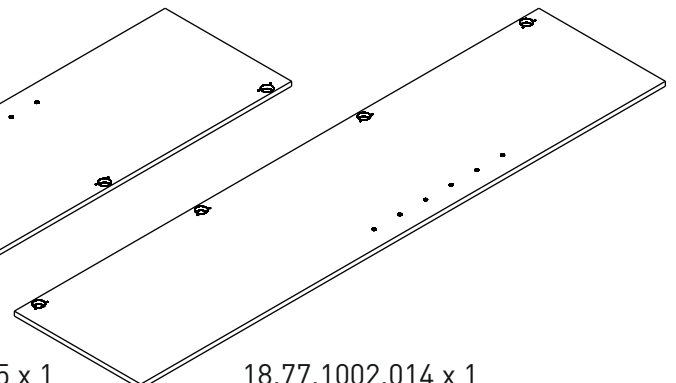
4 / 3



18.77.1002.016 x 1

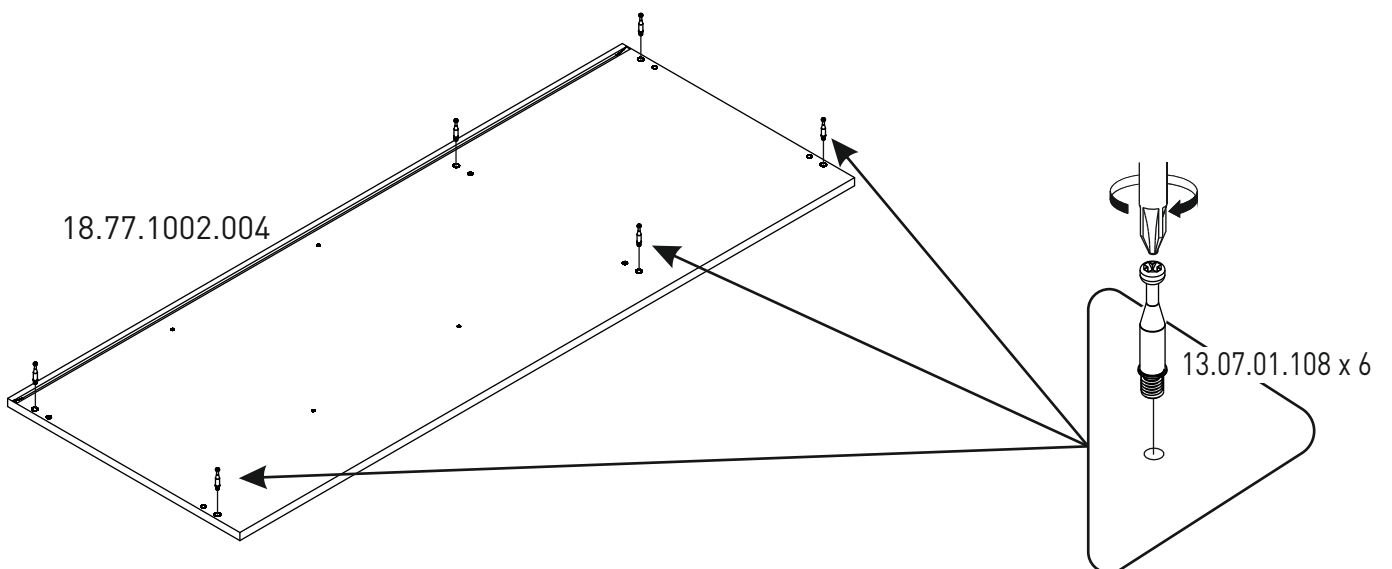
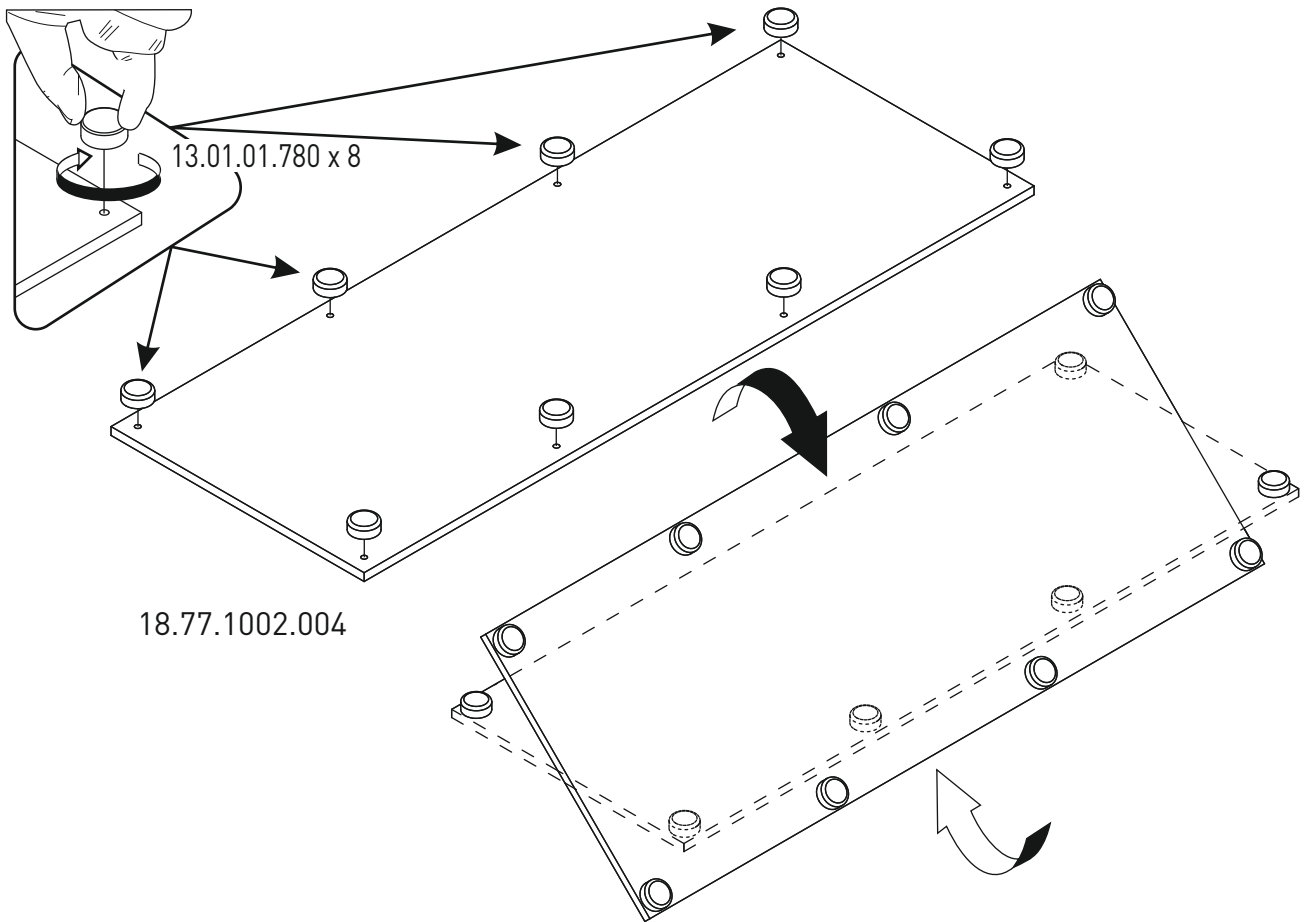
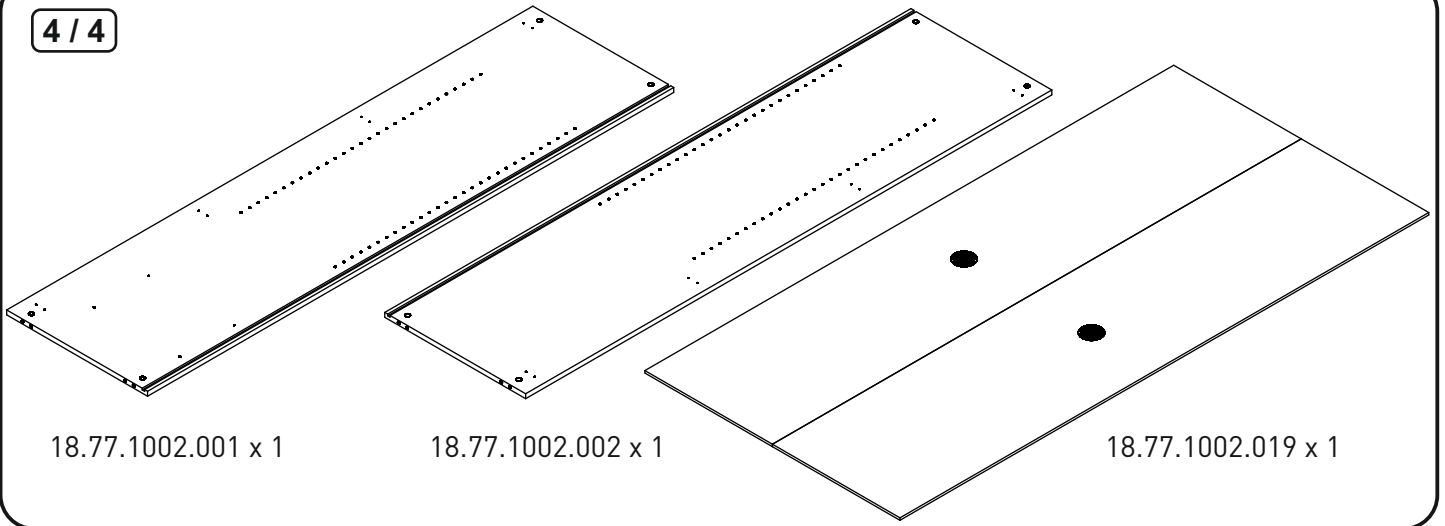


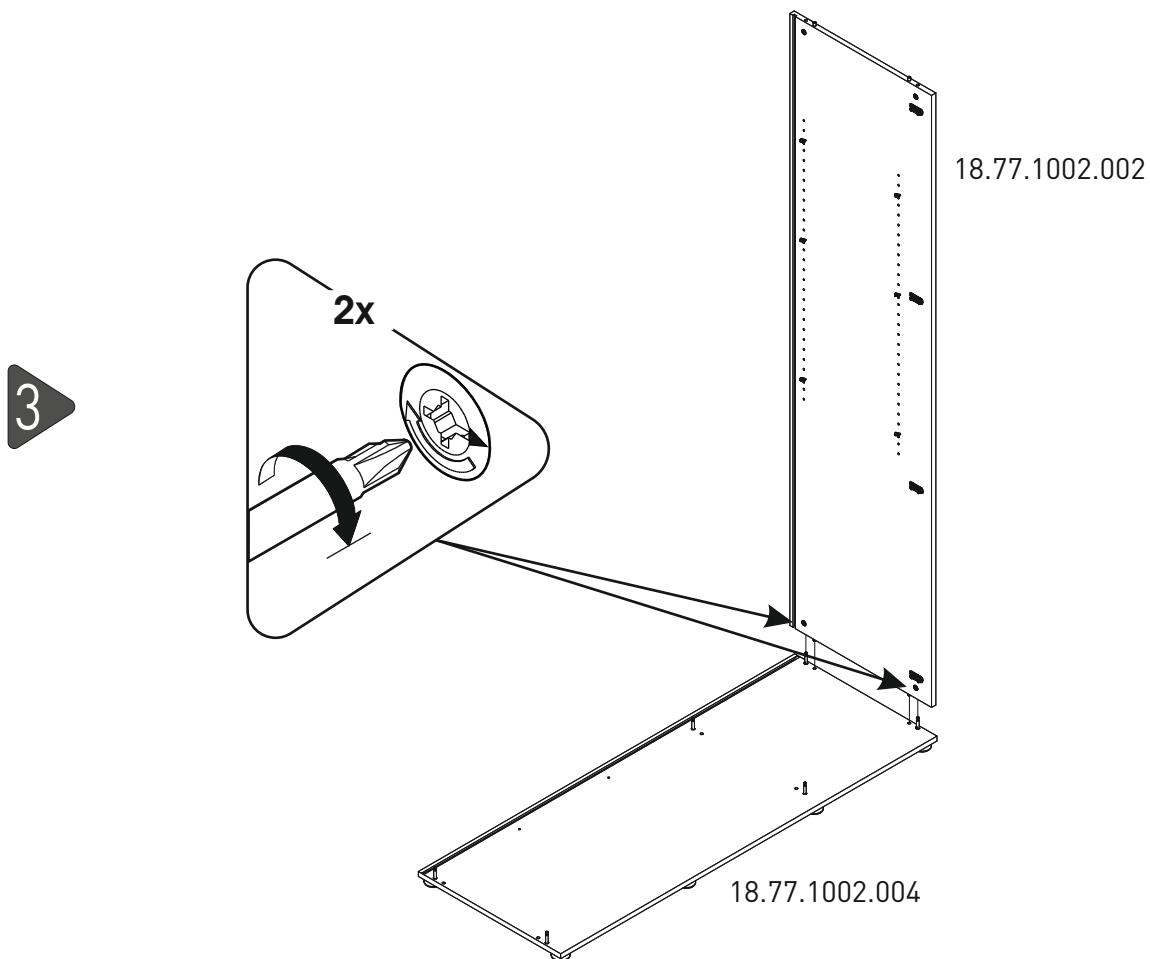
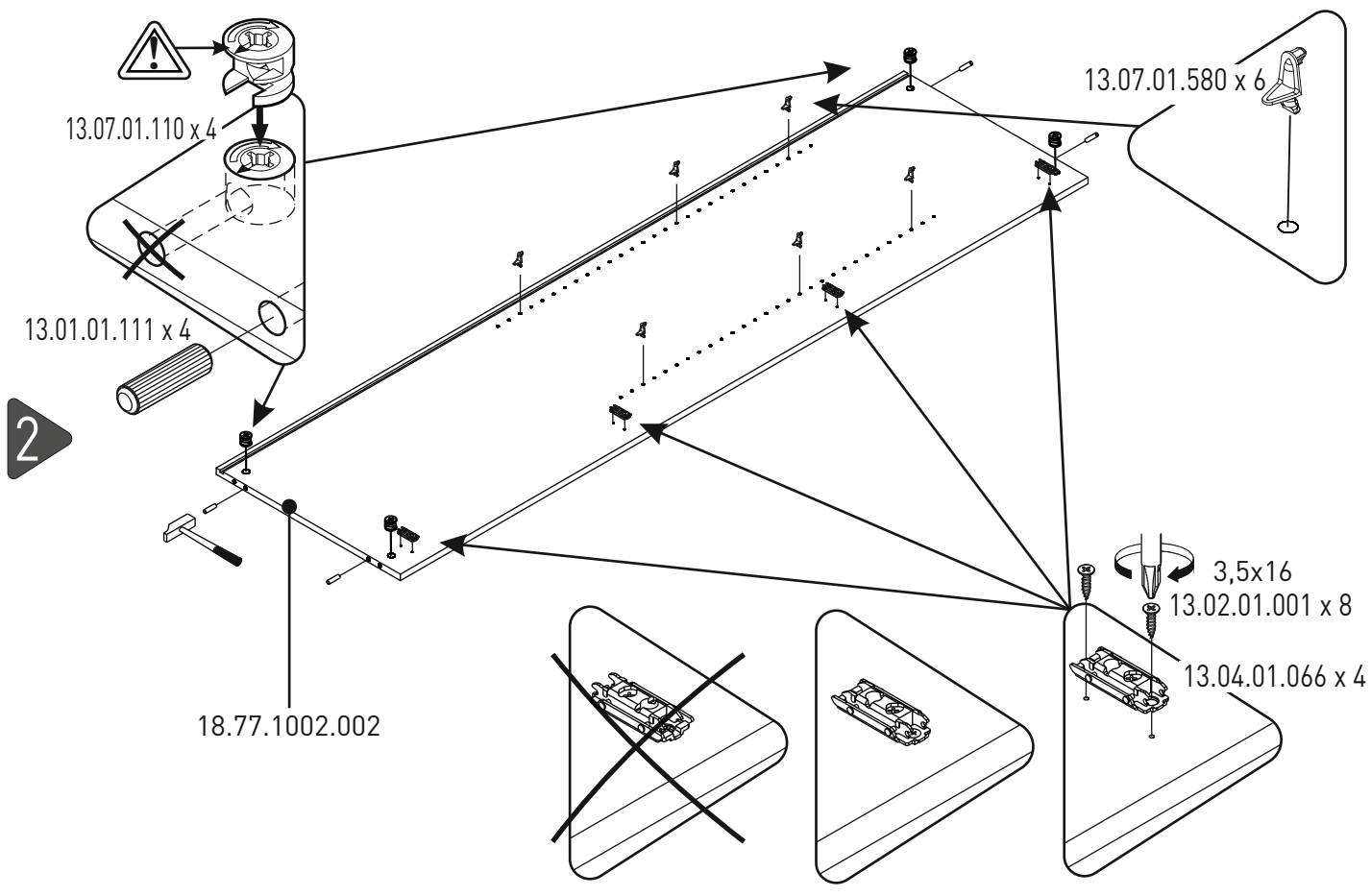
18.77.1002.015 x 1



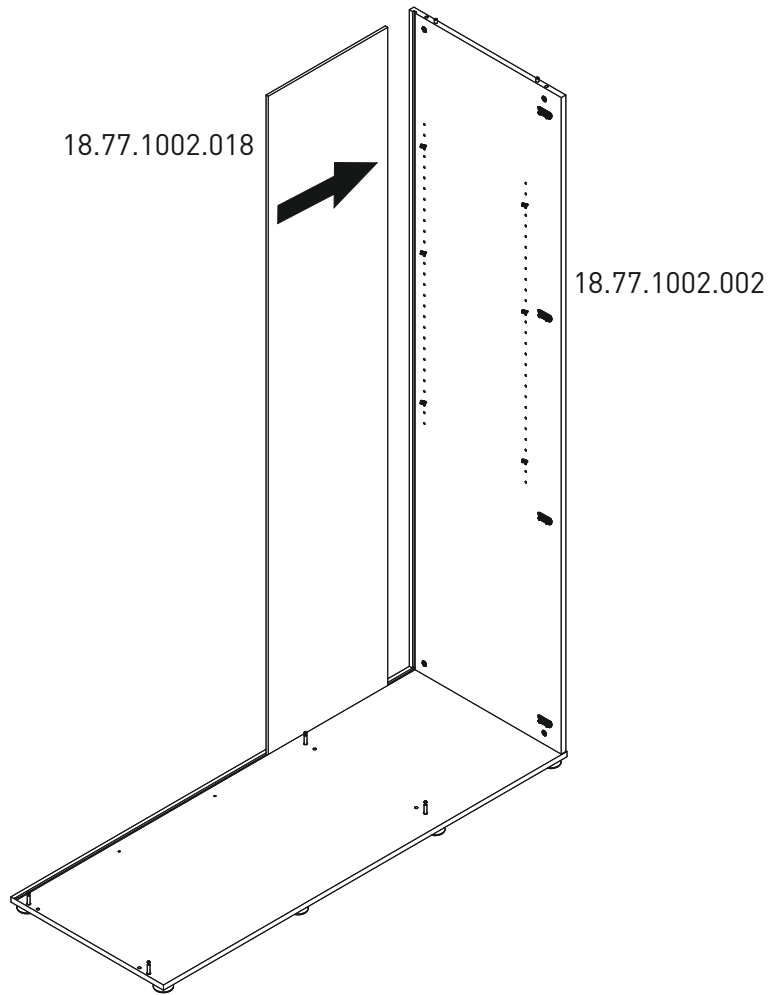
18.77.1002.014 x 1

4 / 4

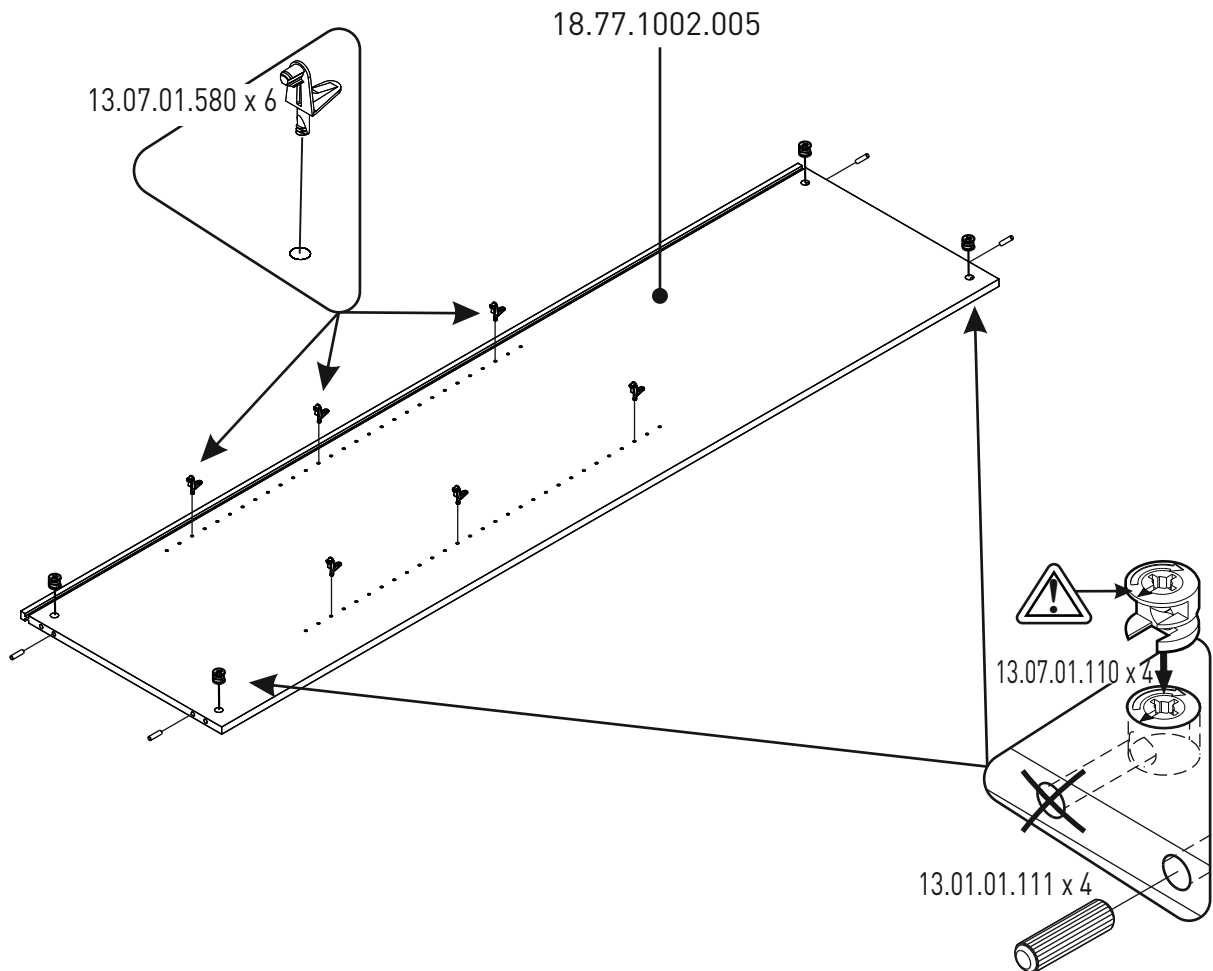




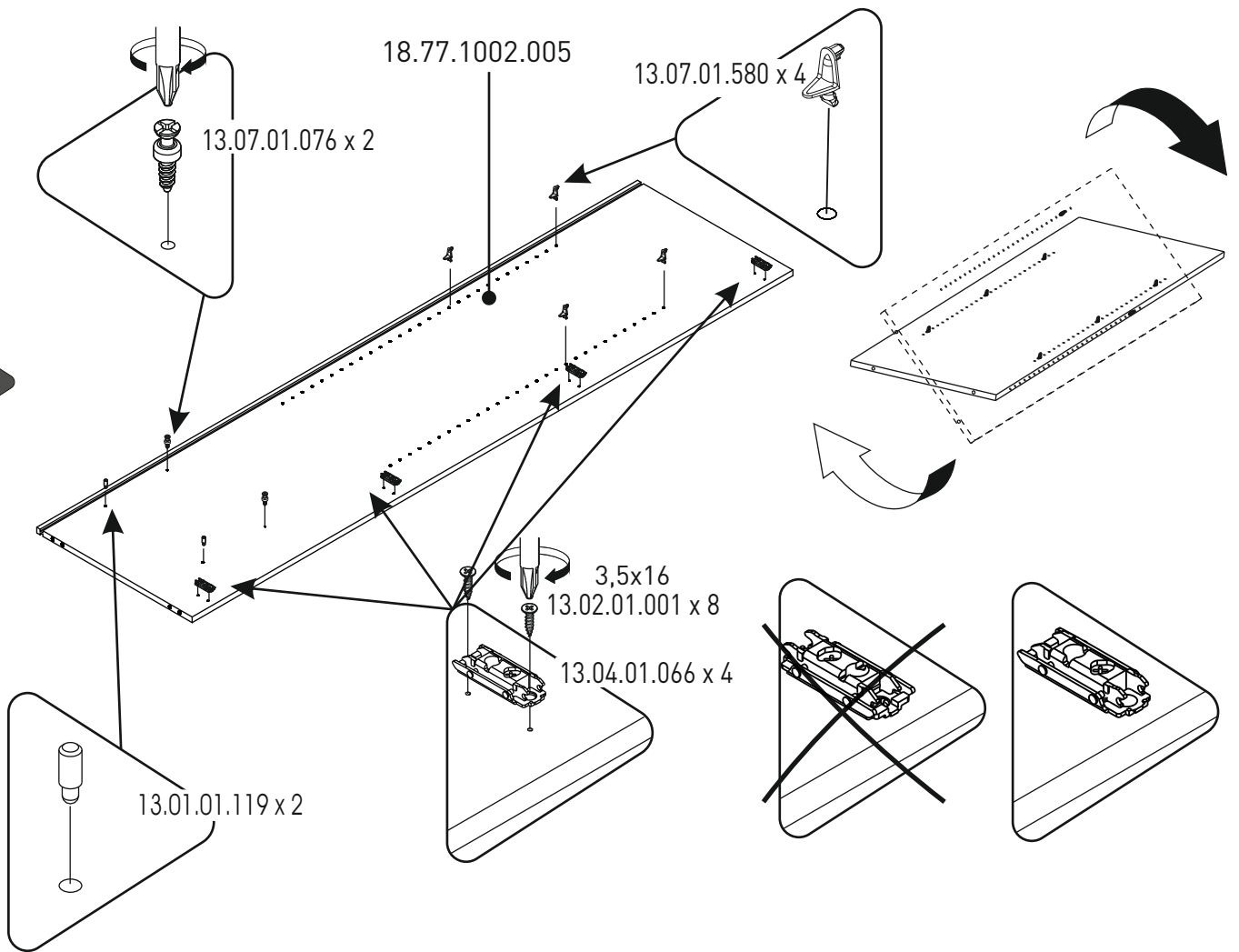
4



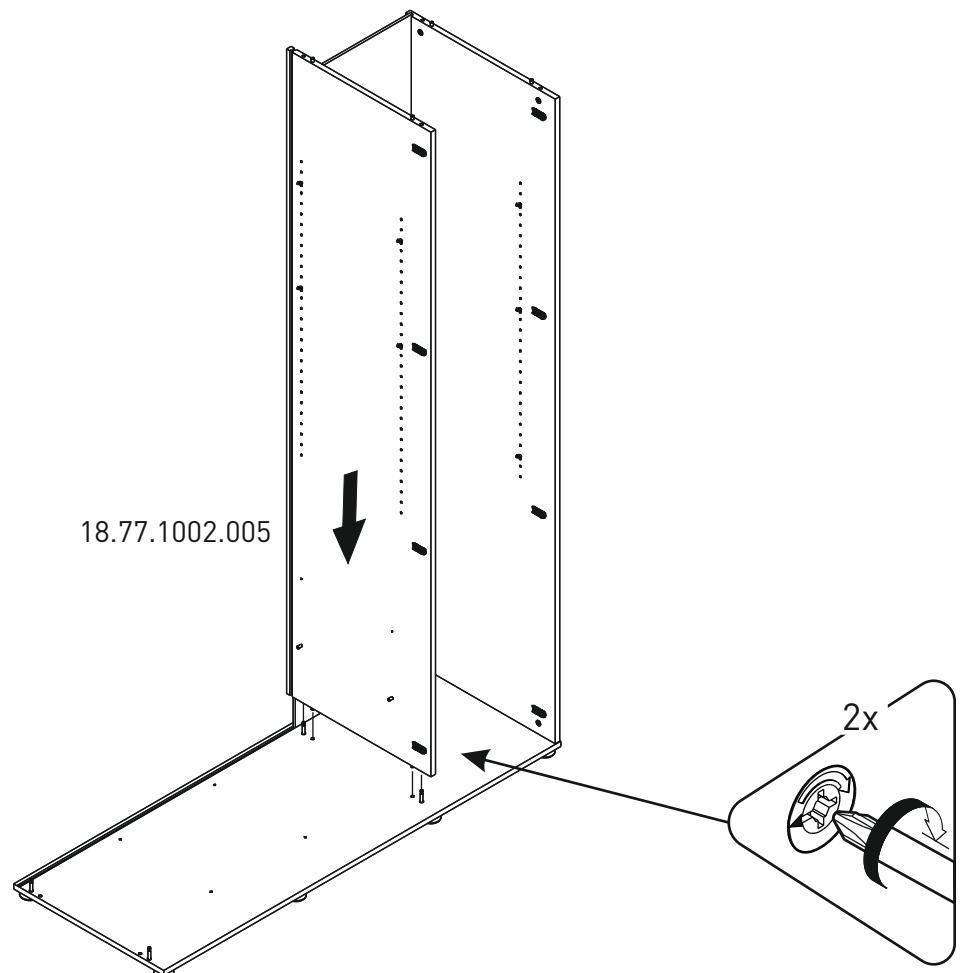
5



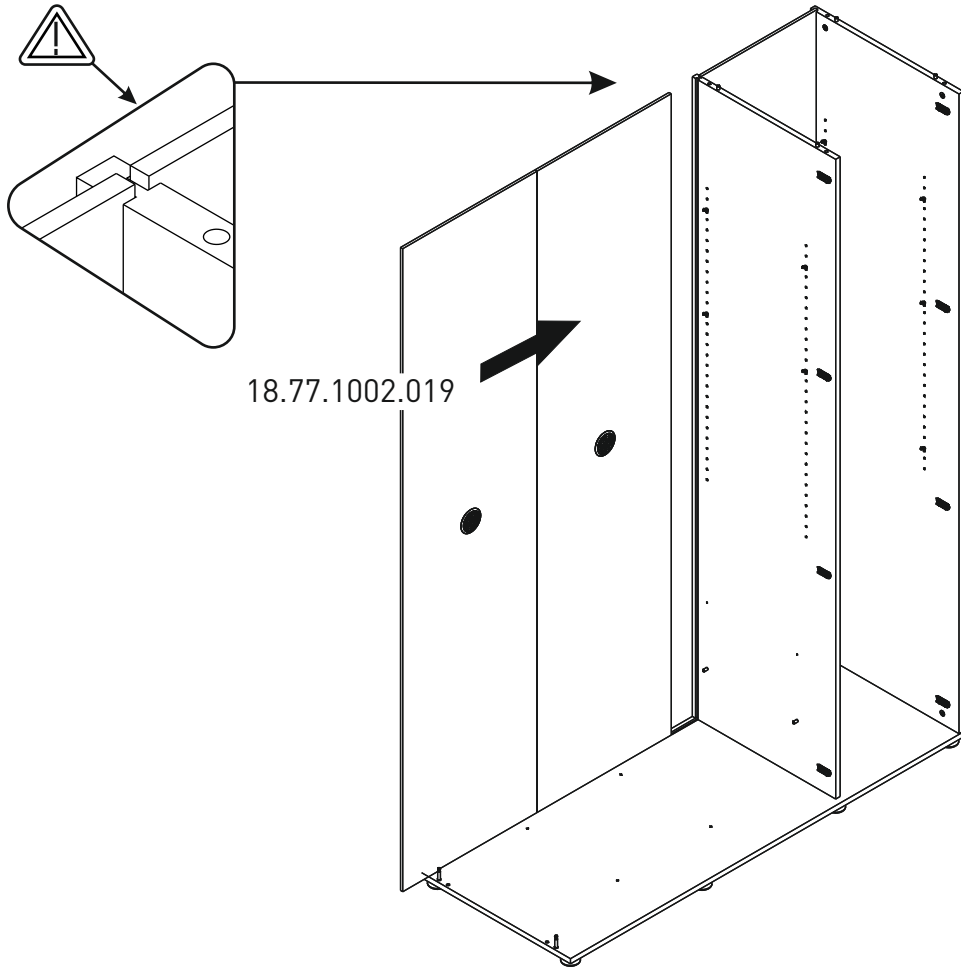
6



7

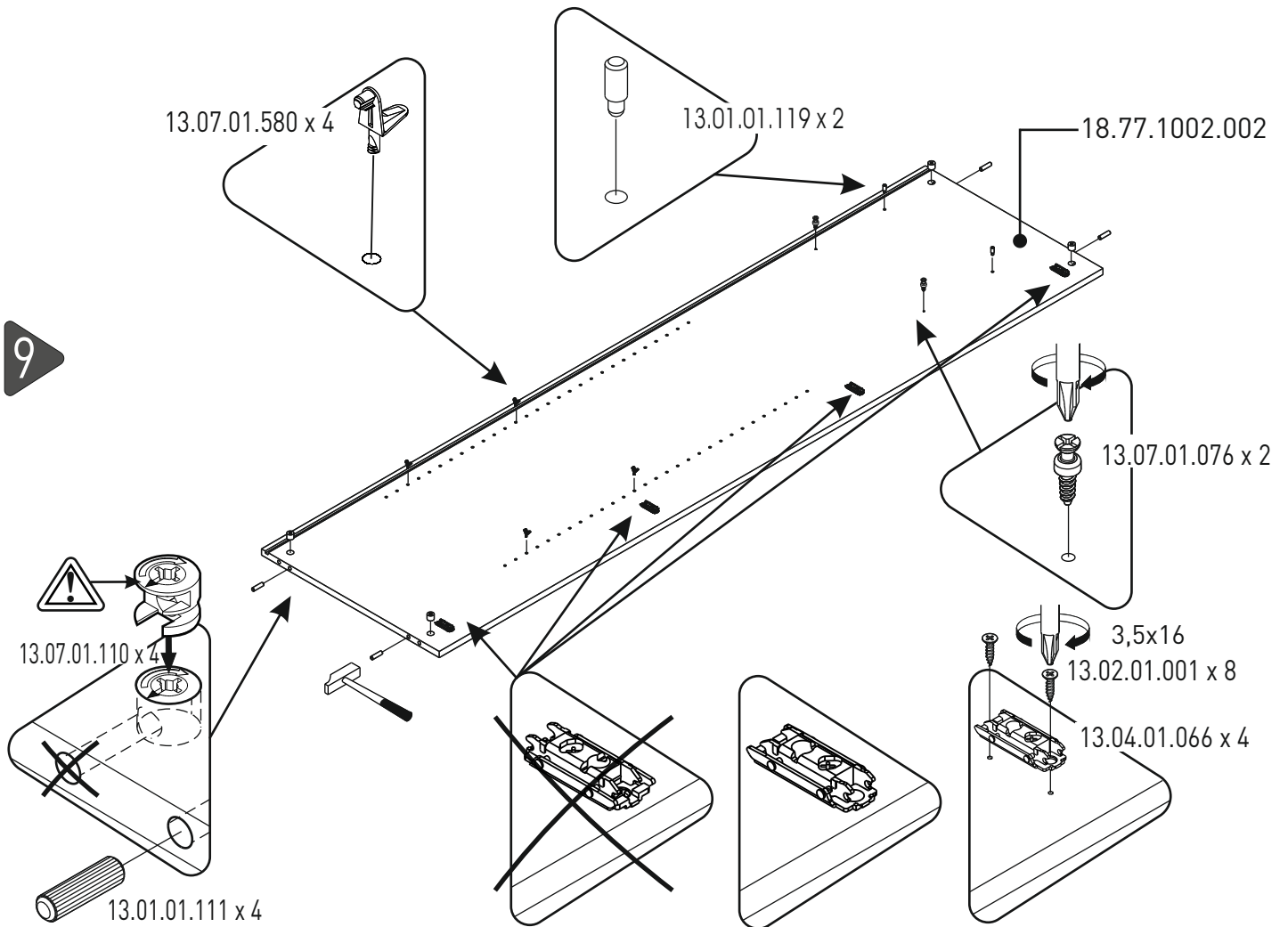


8



18.77.1002.019

9



13.07.01.580 x 4

13.01.01.119 x 2

18.77.1002.002

13.07.01.076 x 2

13.07.01.110 x 4

13.01.01.111 x 4

3,5x16

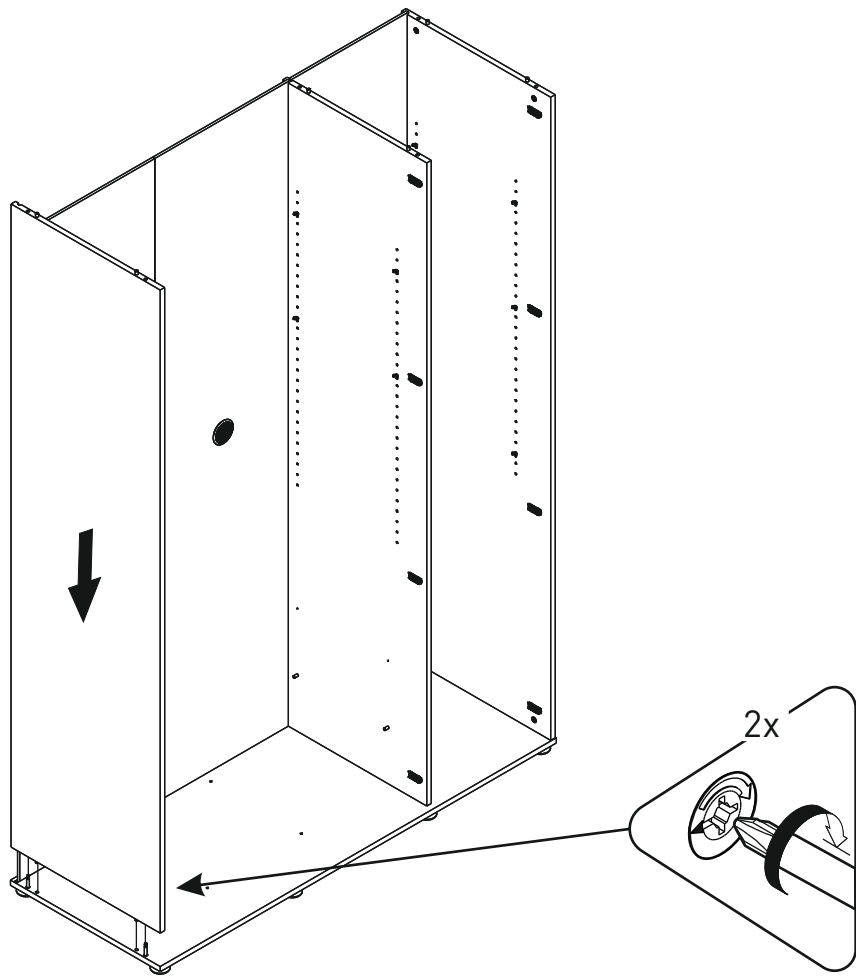
13.02.01.001 x 8

13.04.01.066 x 4



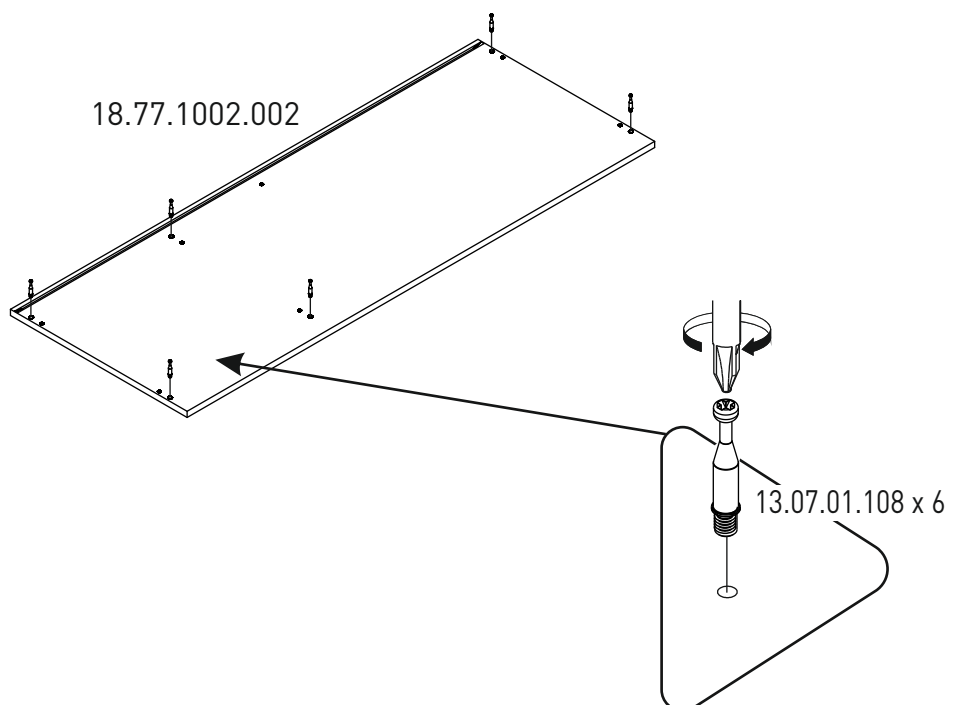
10

18.77.1002.001

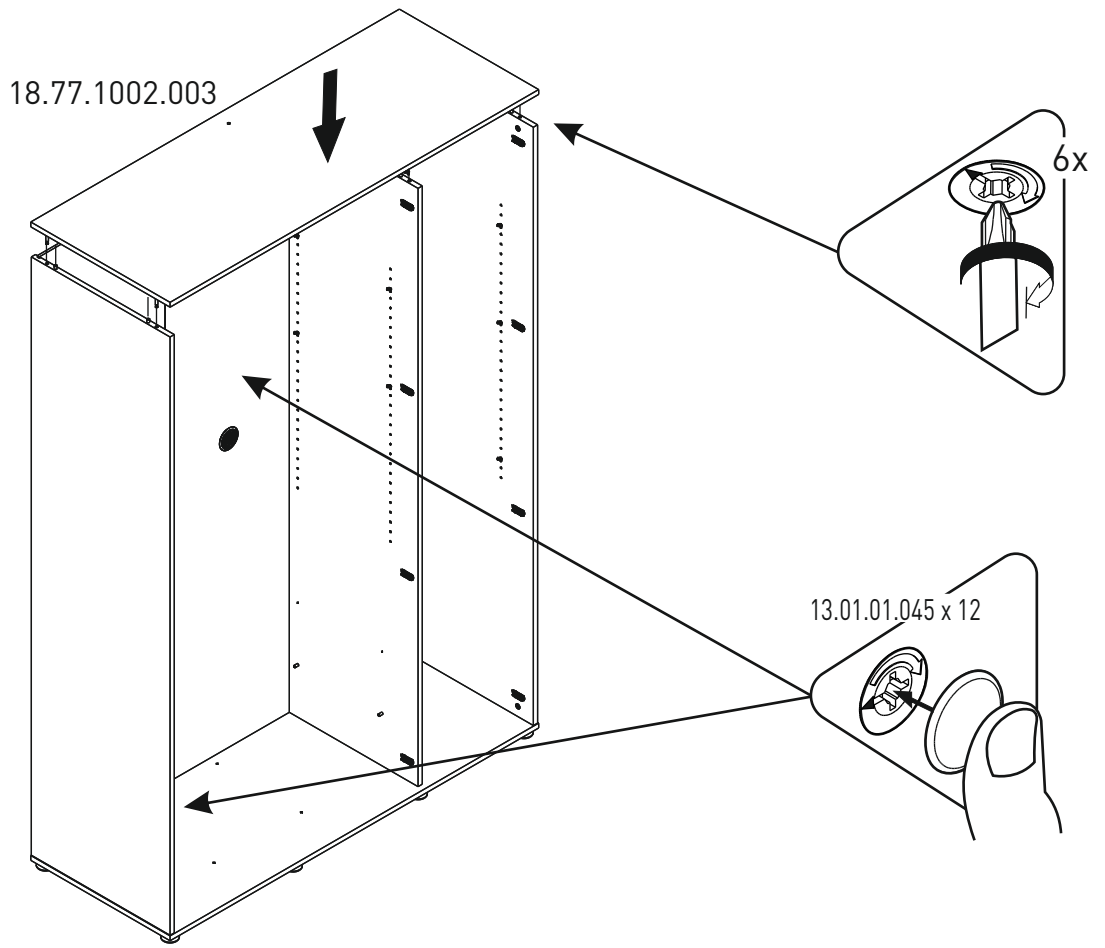


11

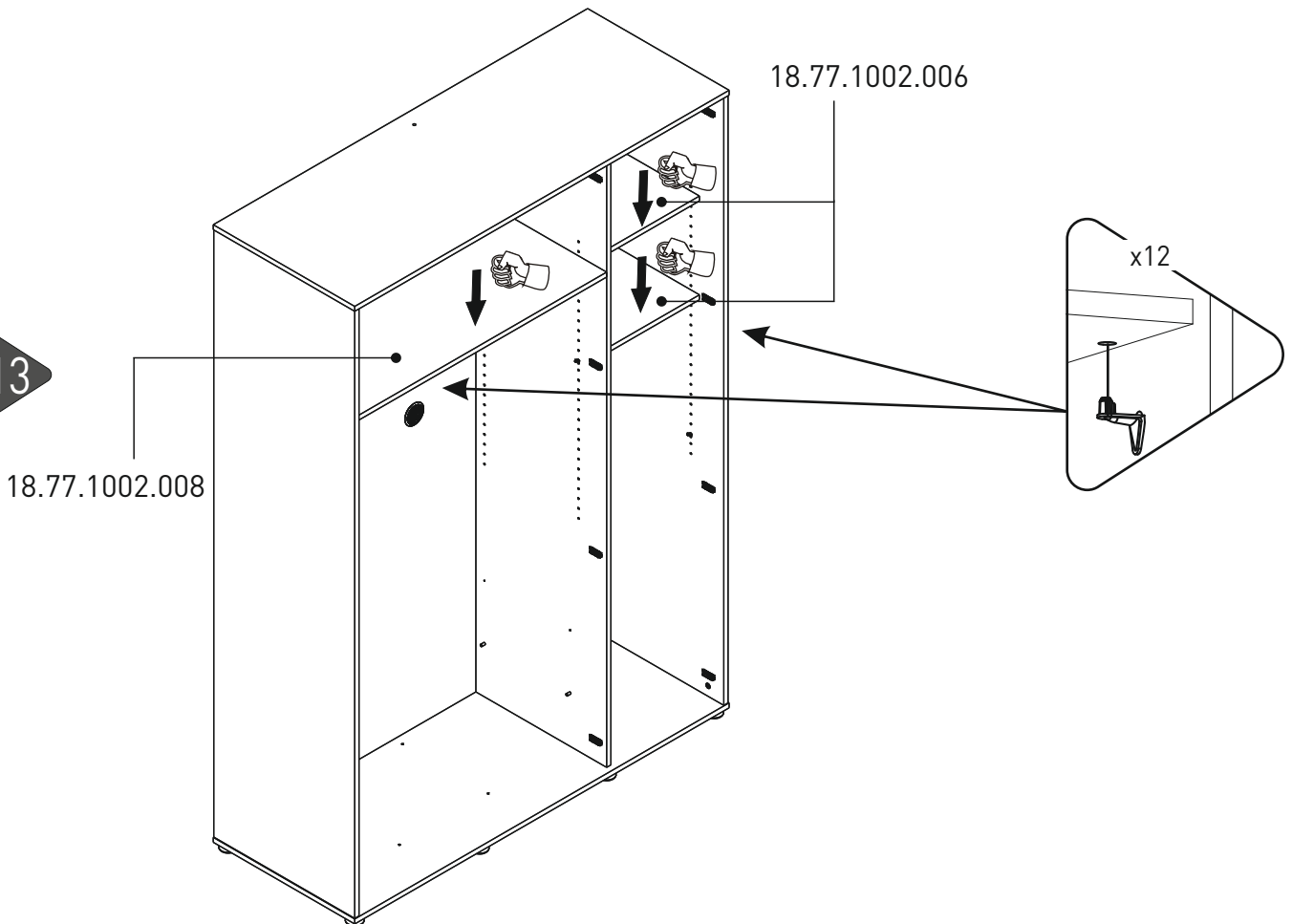
18.77.1002.002



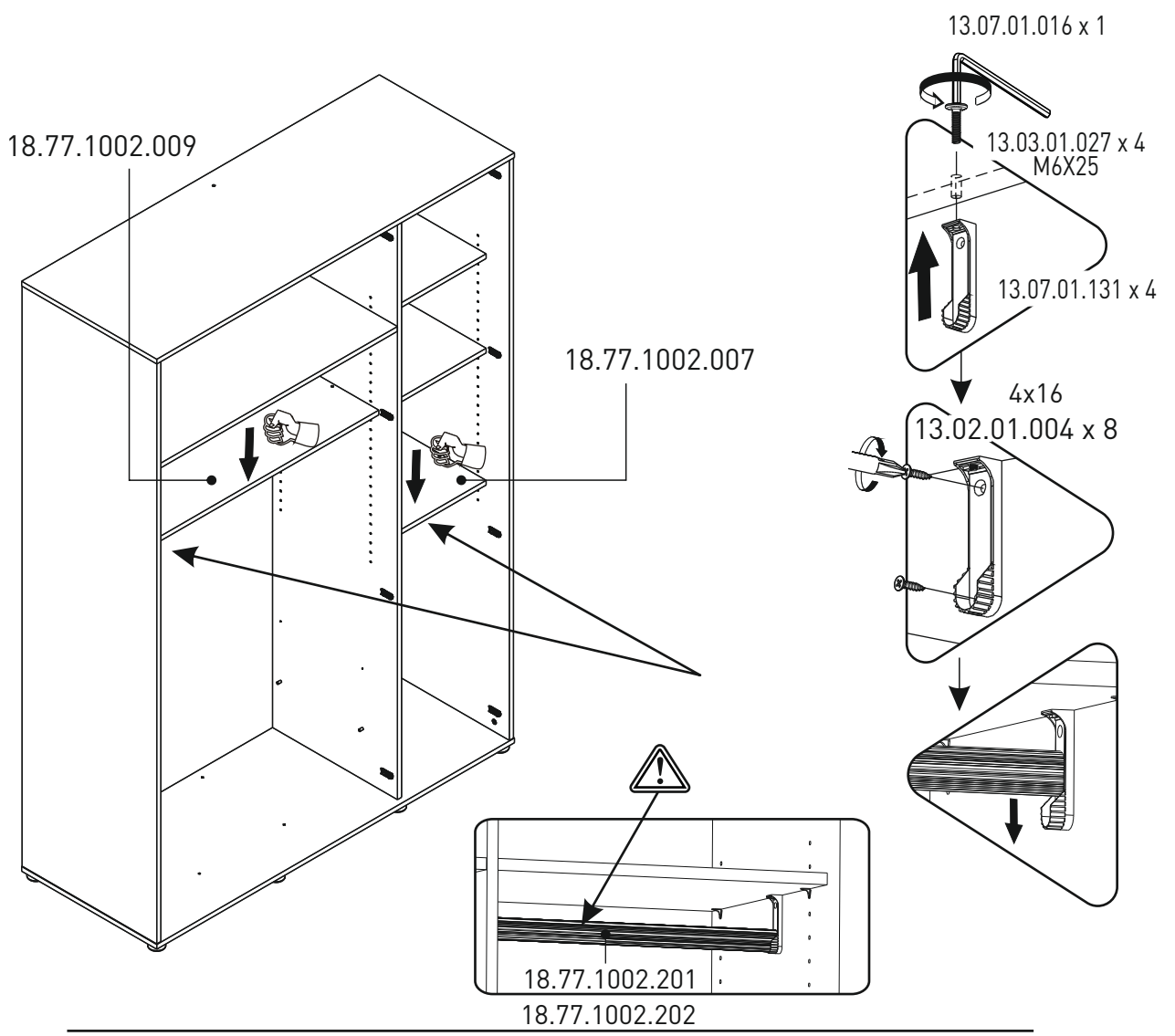
12



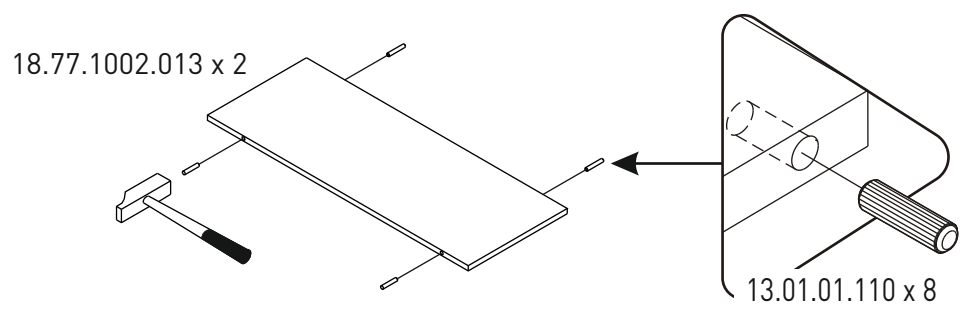
13



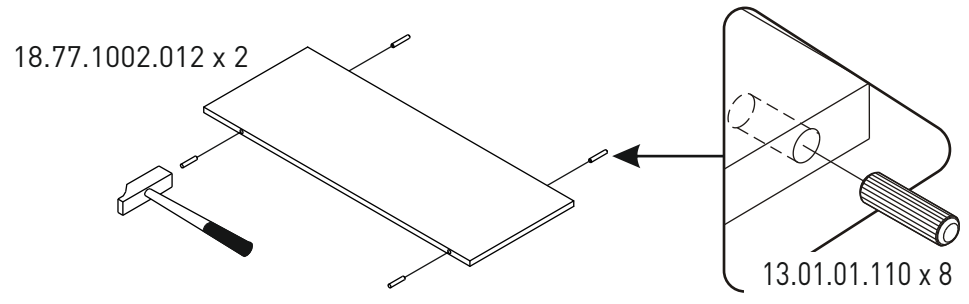
14



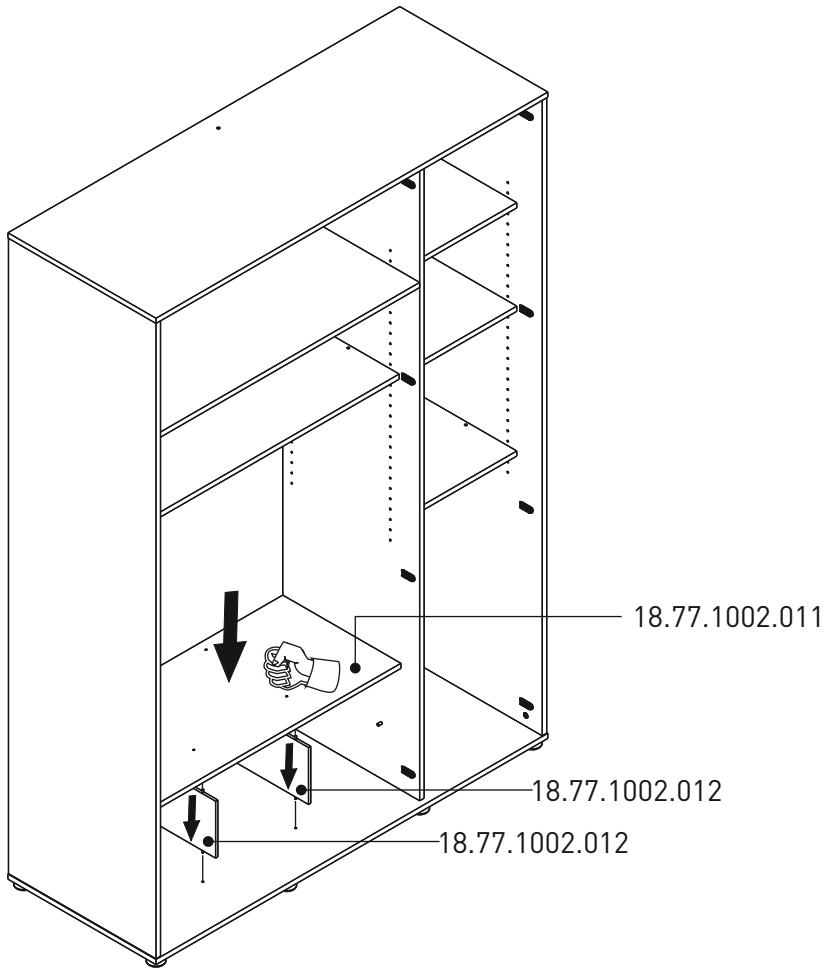
15



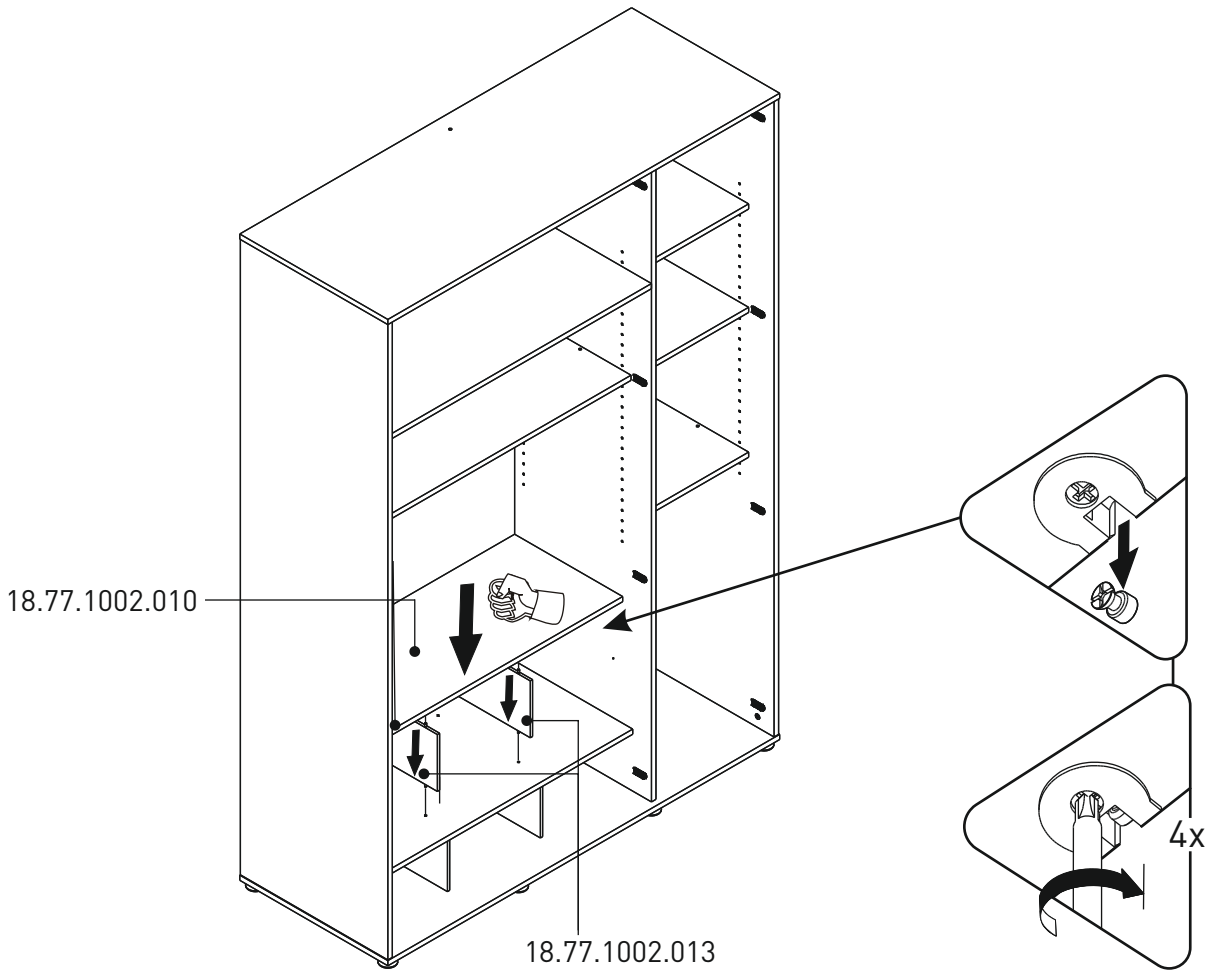
16

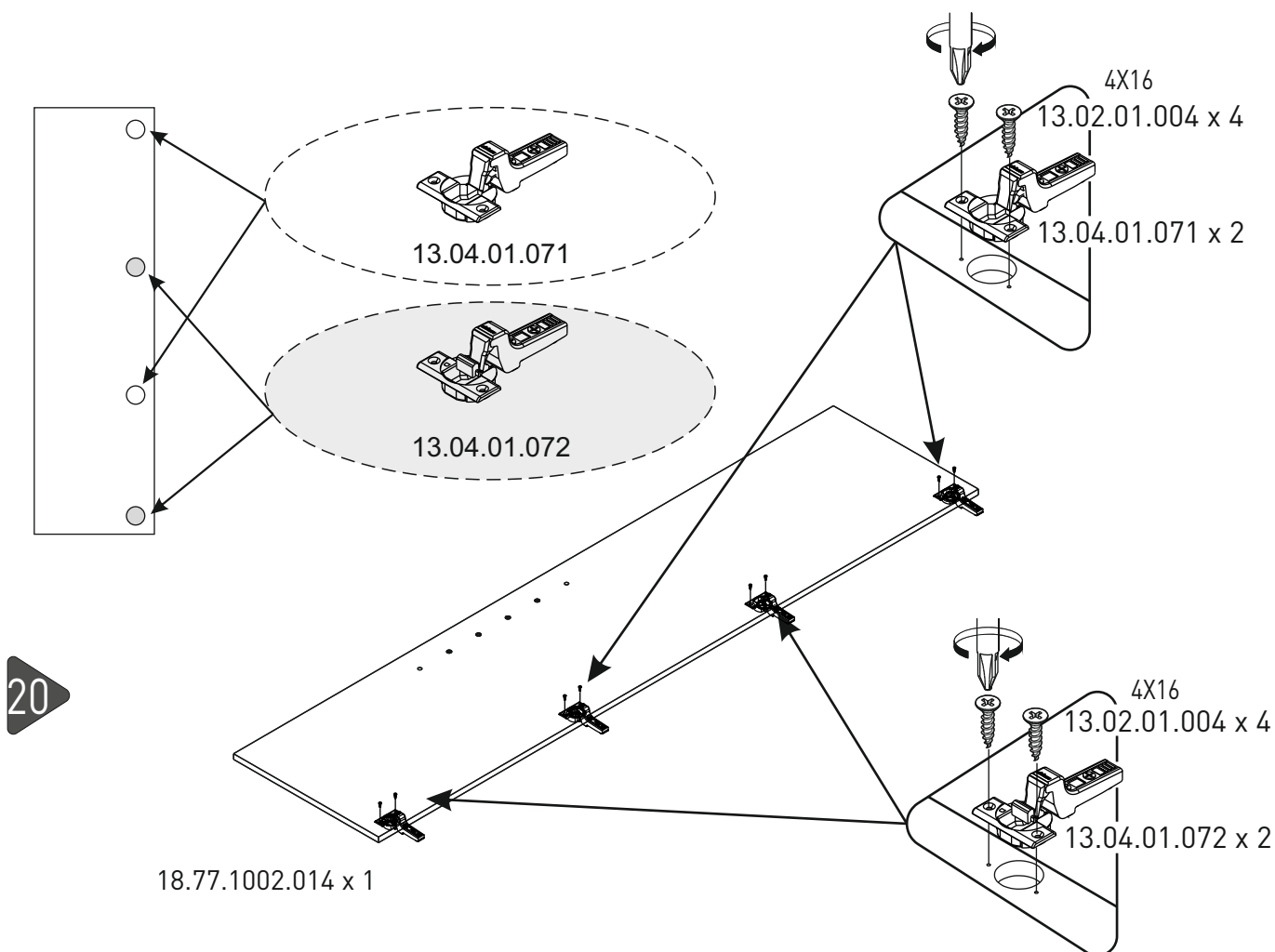
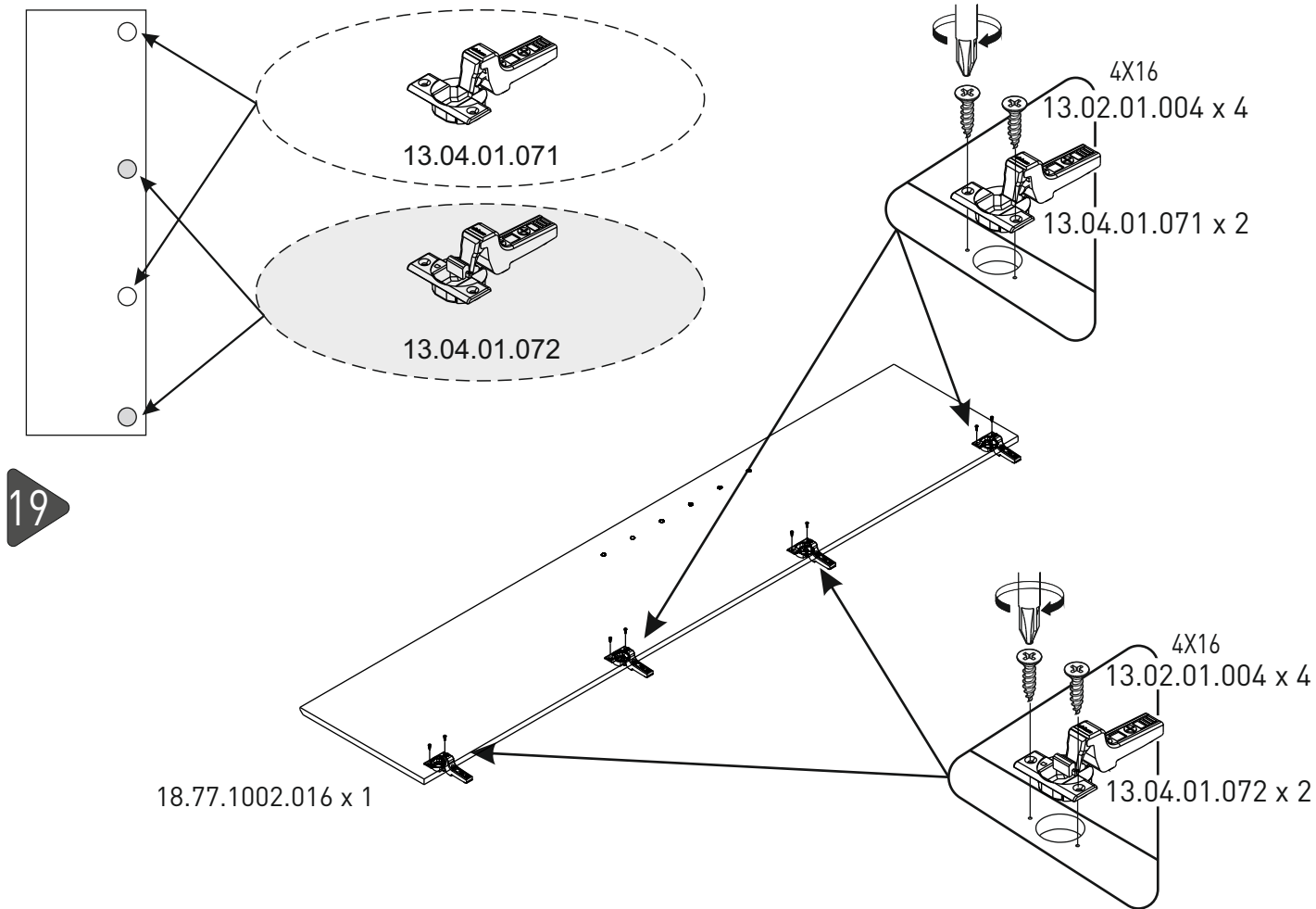


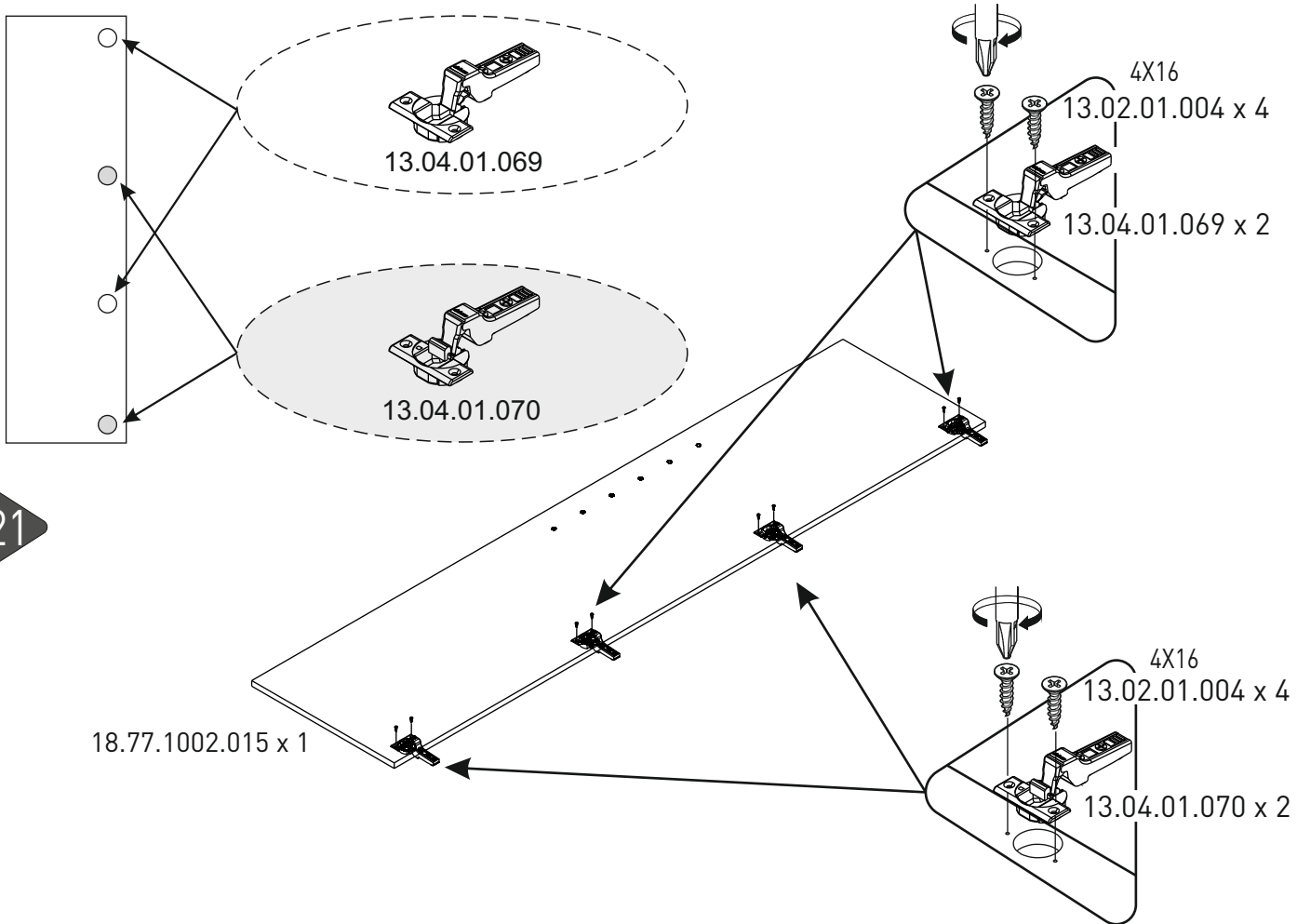
17



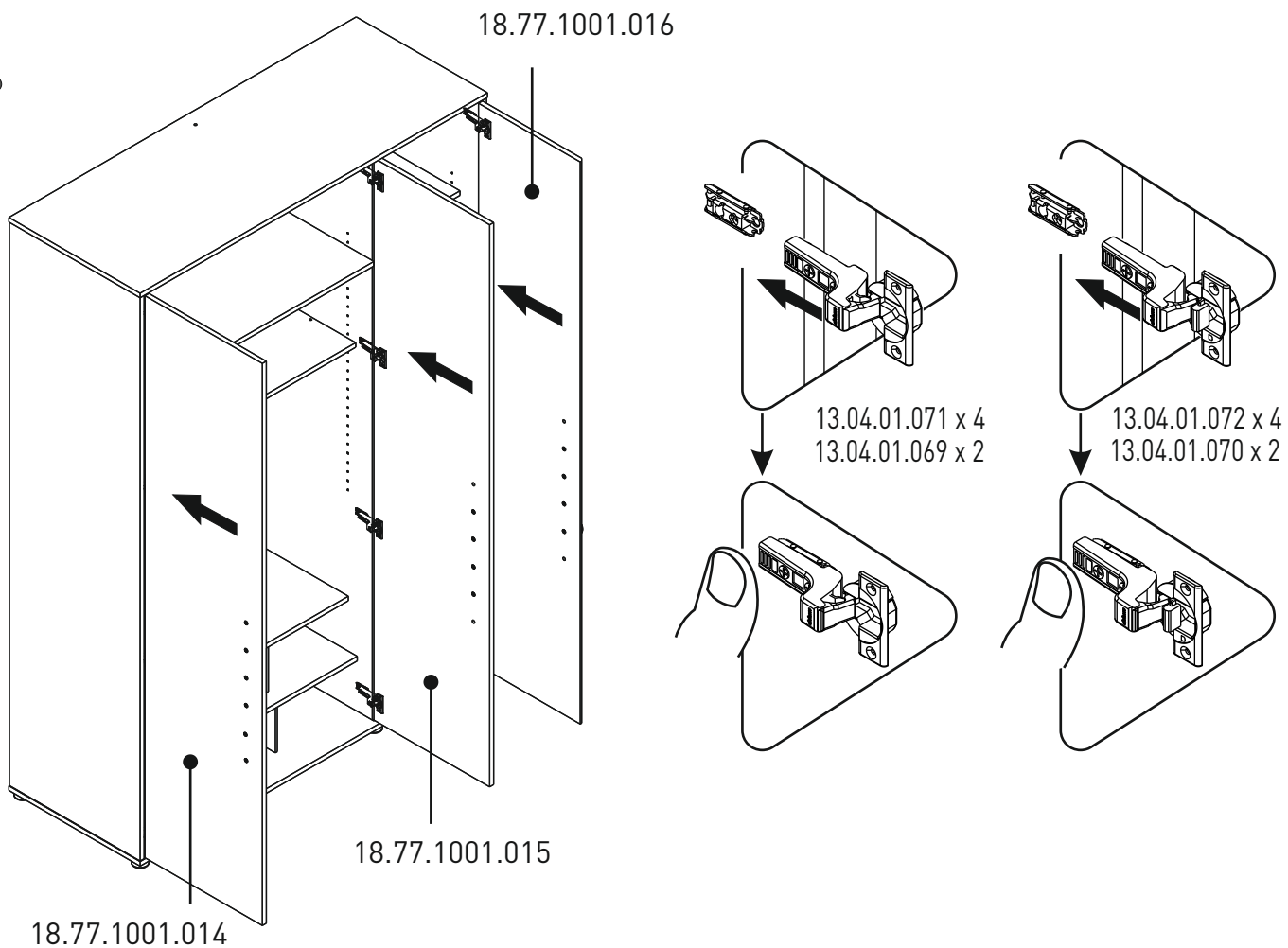
18





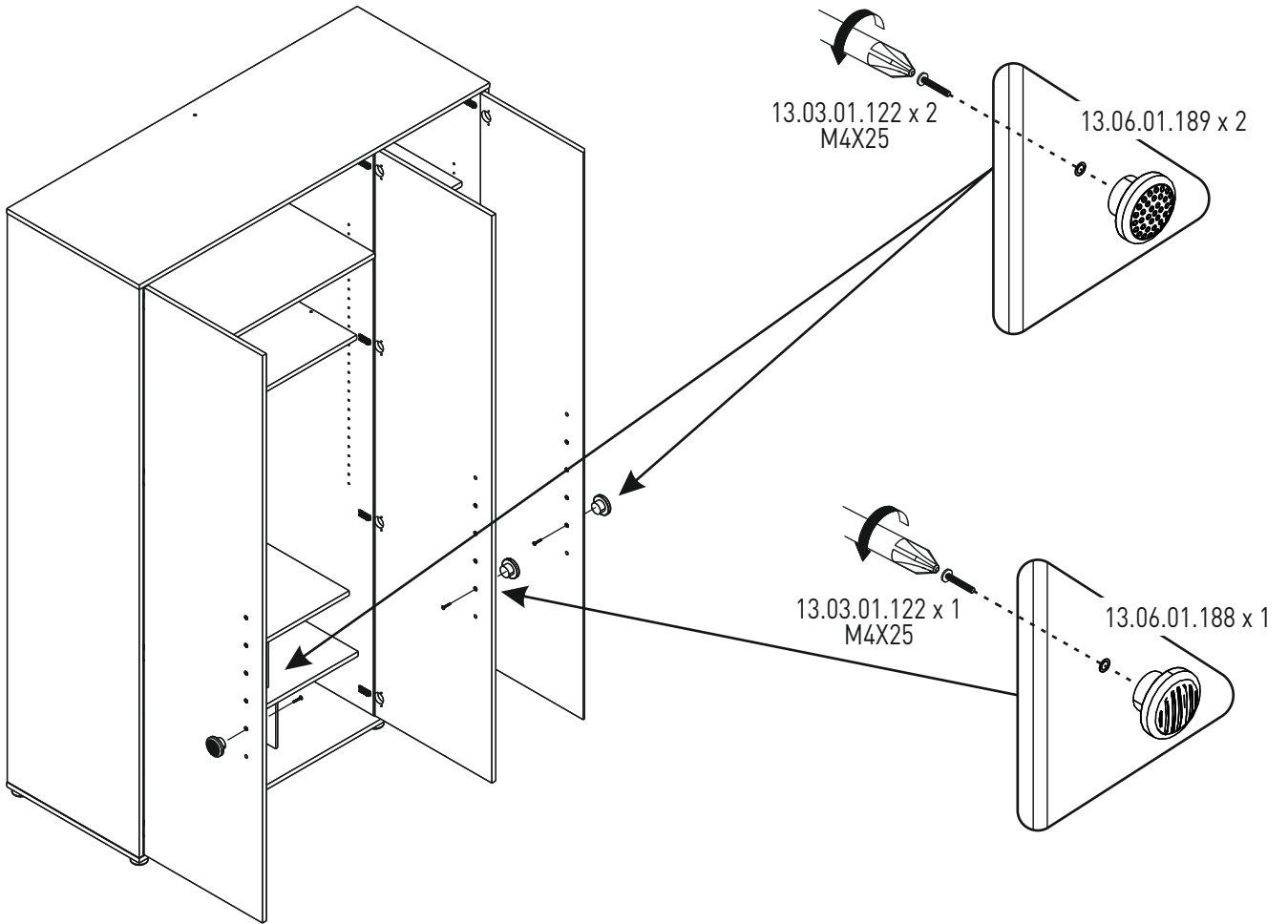


21



22

23



24

