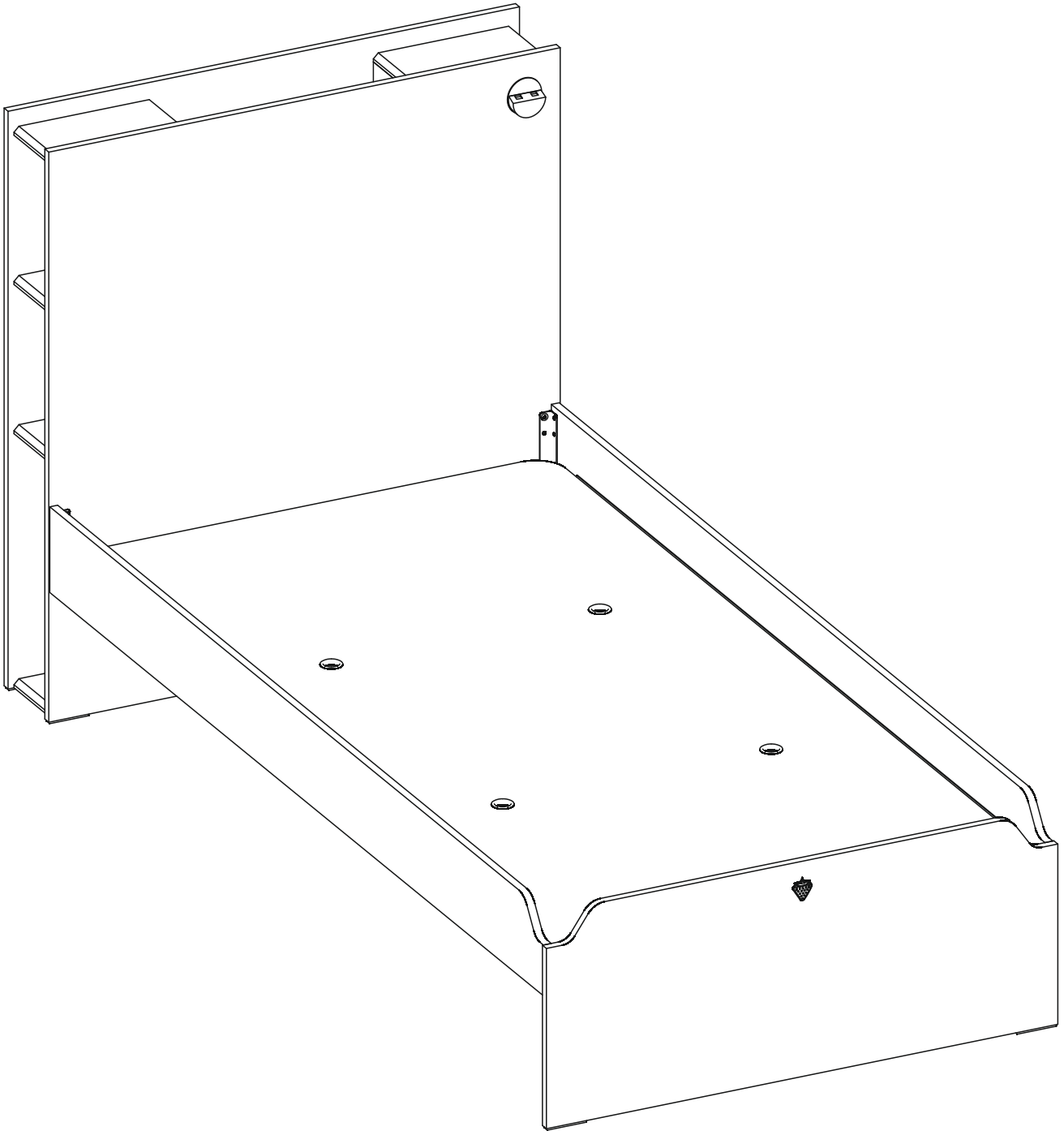
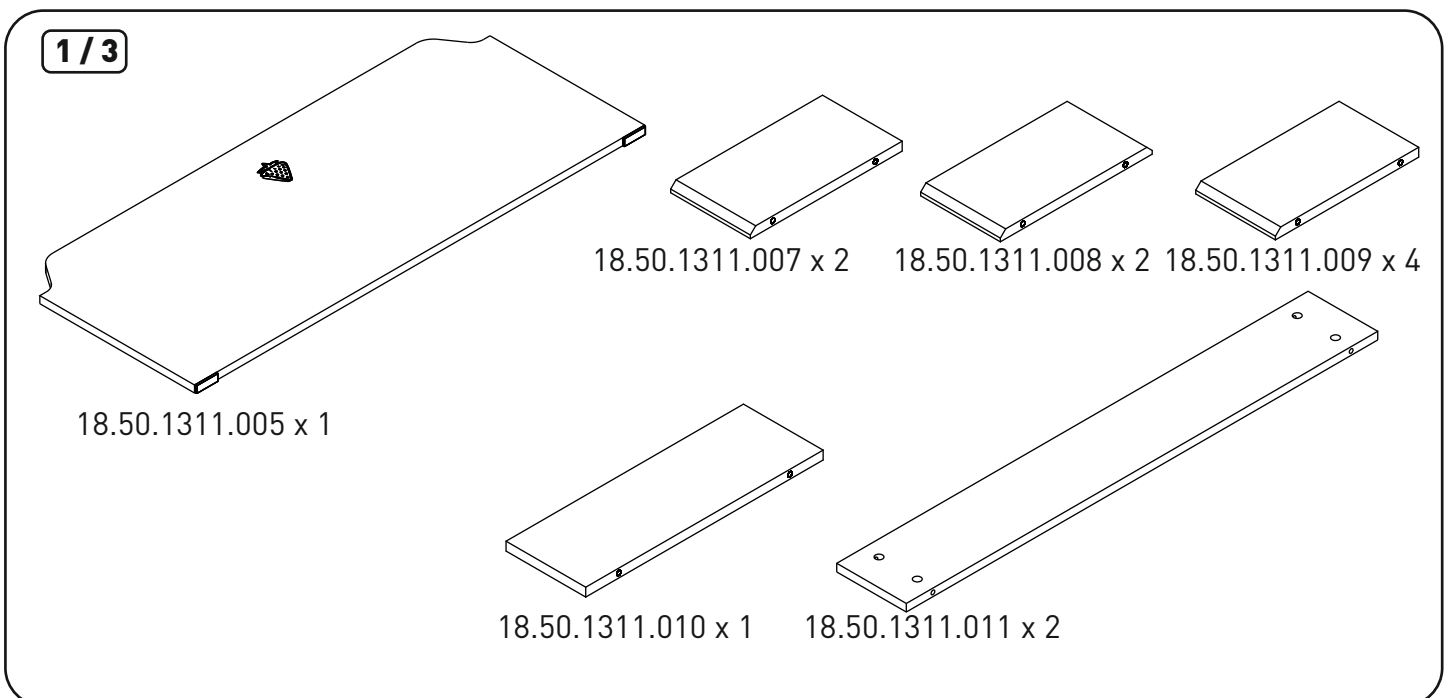
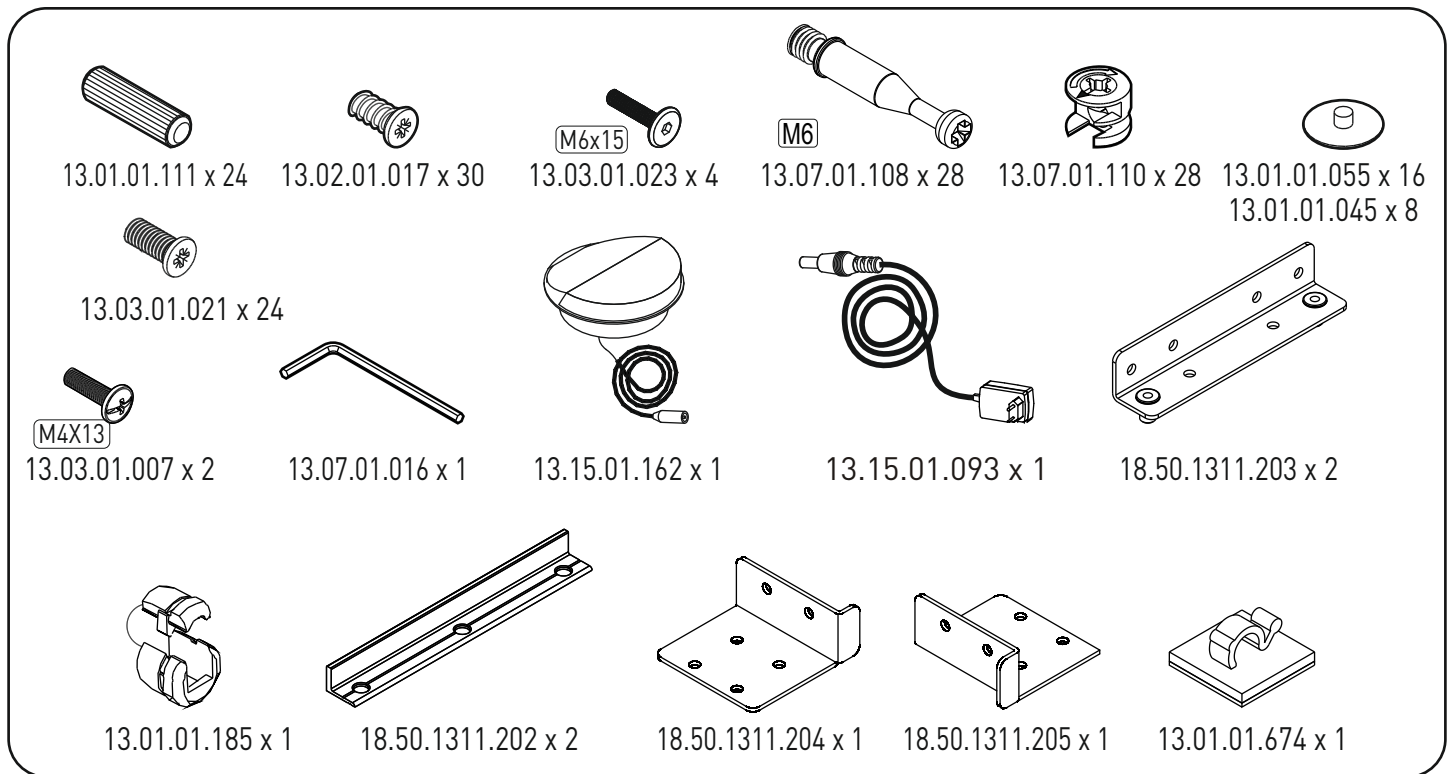
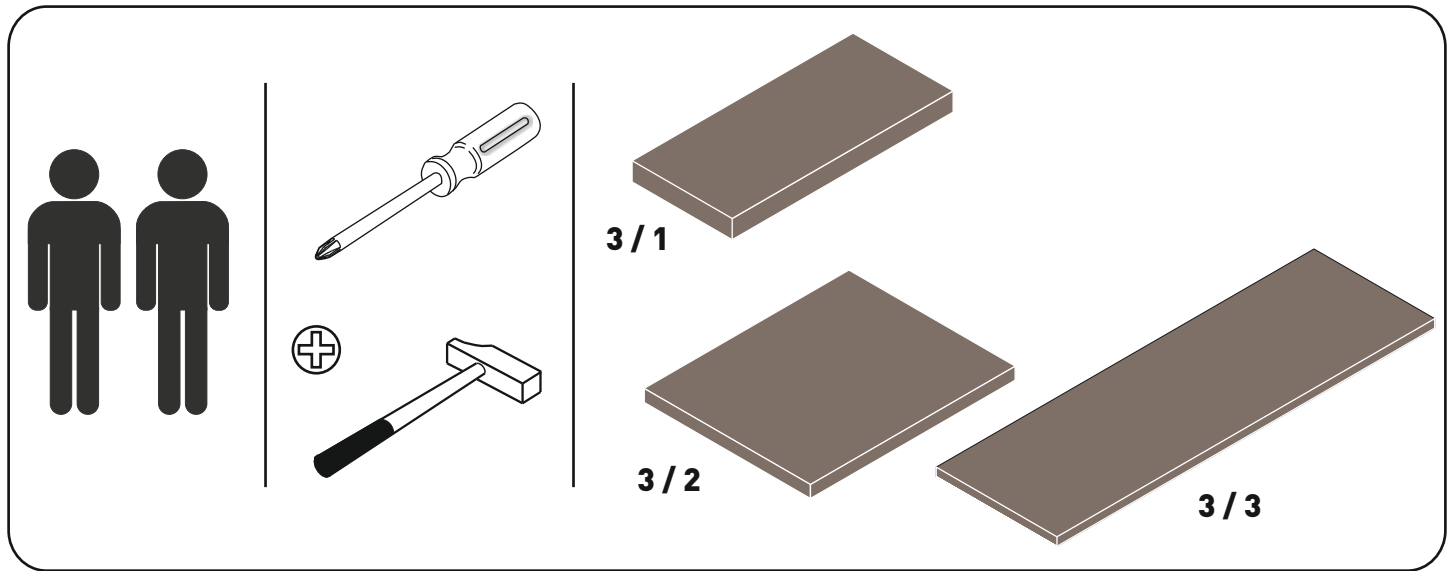
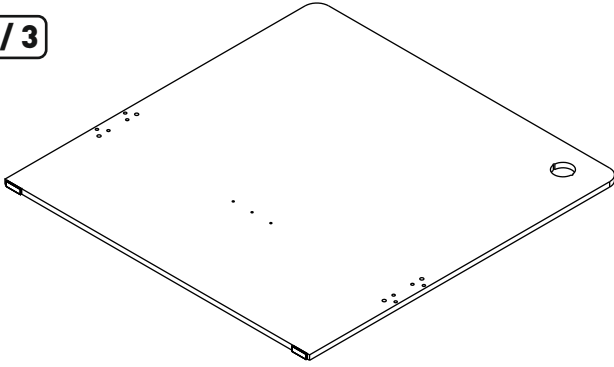


20.50.1311.00

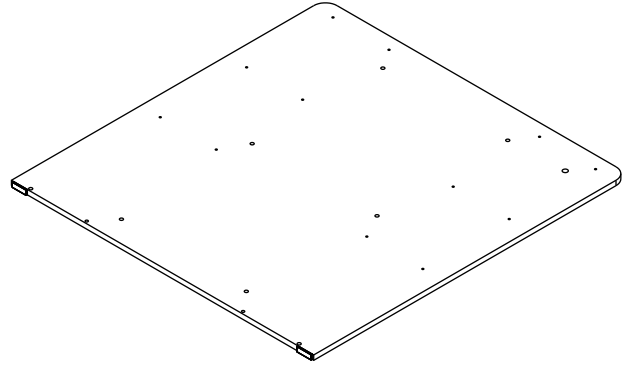




2/3



18.50.1311.001 x 1

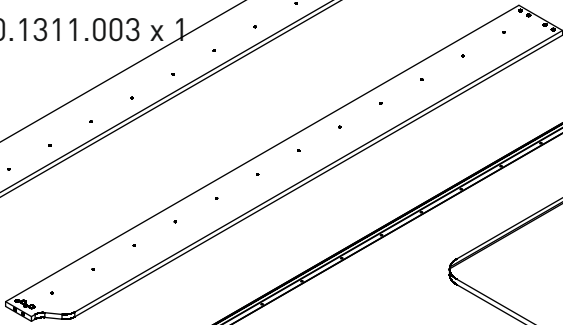


18.50.1311.002 x 1

3/3

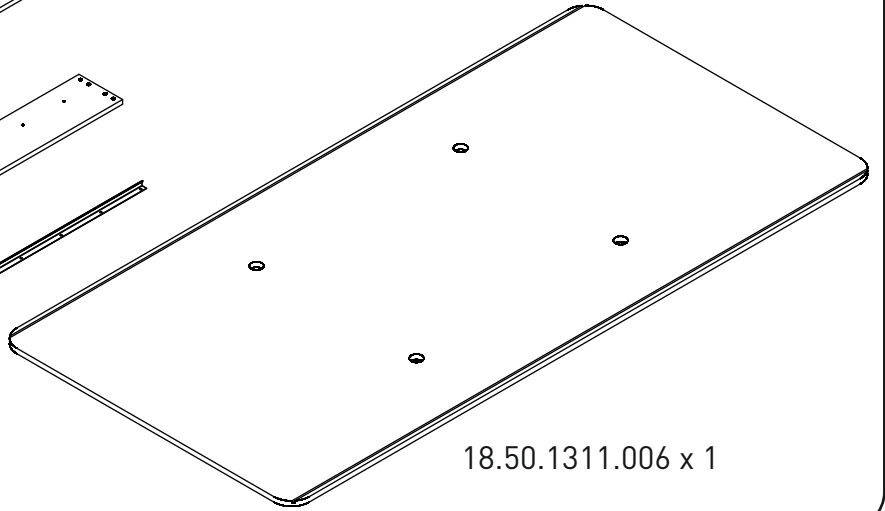


18.50.1311.003 x 1

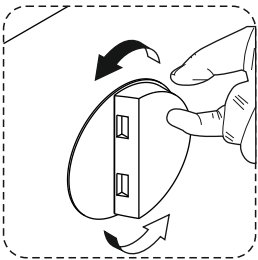


18.50.1311.004 x 1

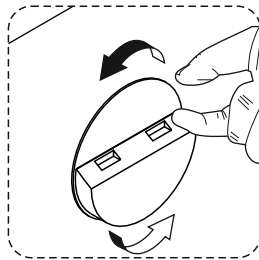
18.50.1311.201 x 2



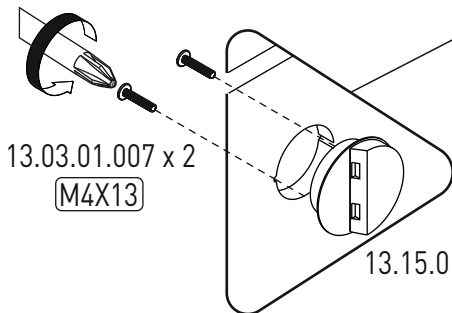
18.50.1311.006 x 1



&



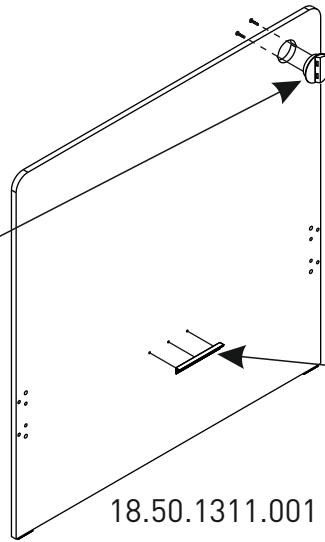
1



13.03.01.007 x 2

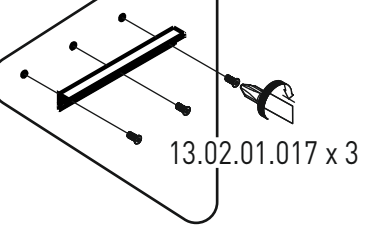
M4X13

13.15.01.162 x 1



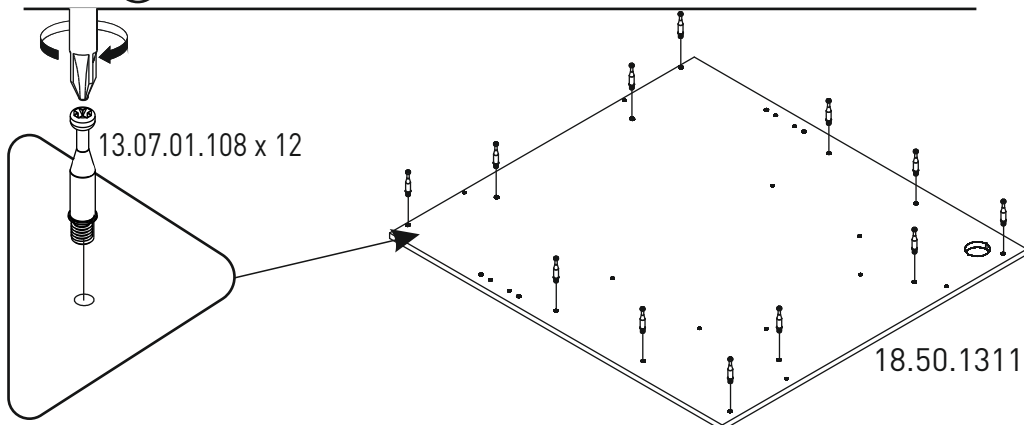
18.50.1311.202 x 1

18.50.1311.001



13.02.01.017 x 3

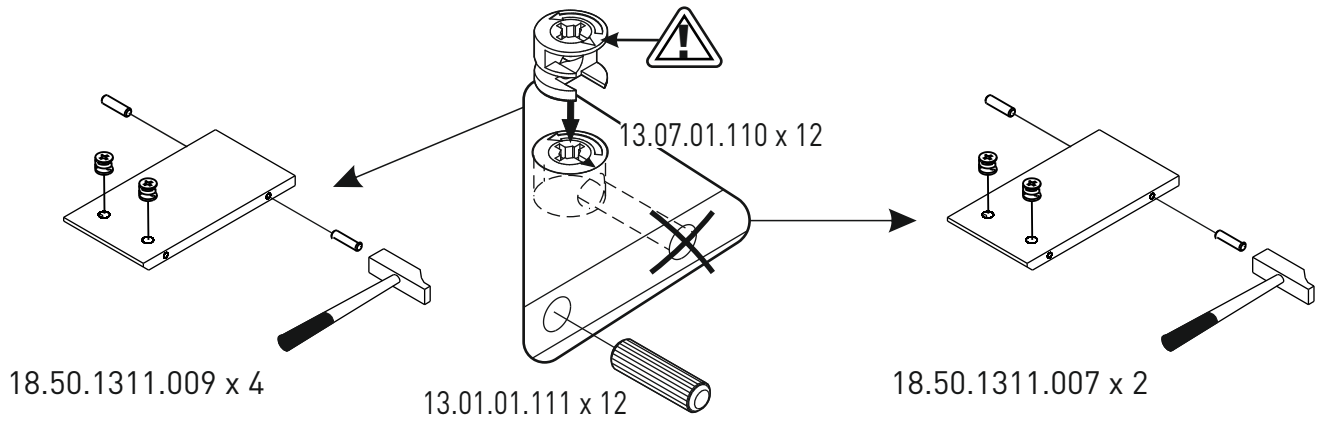
2



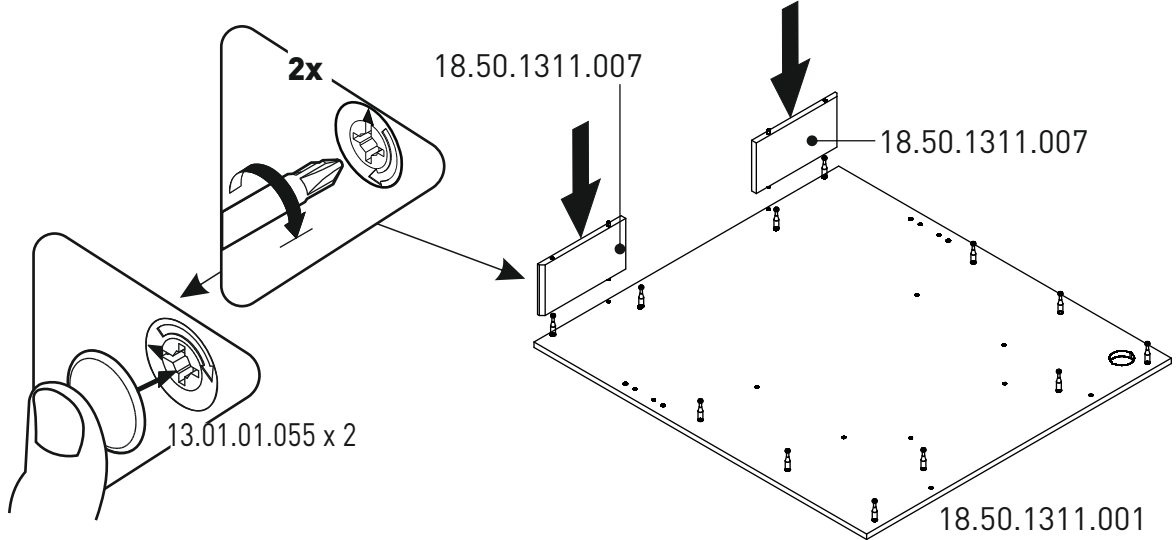
13.07.01.108 x 12

18.50.1311.001

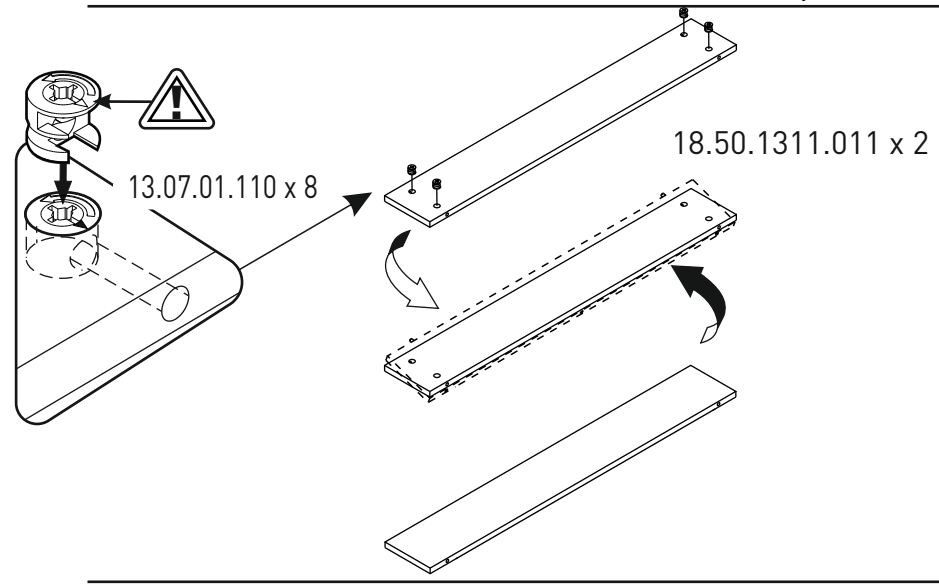
3



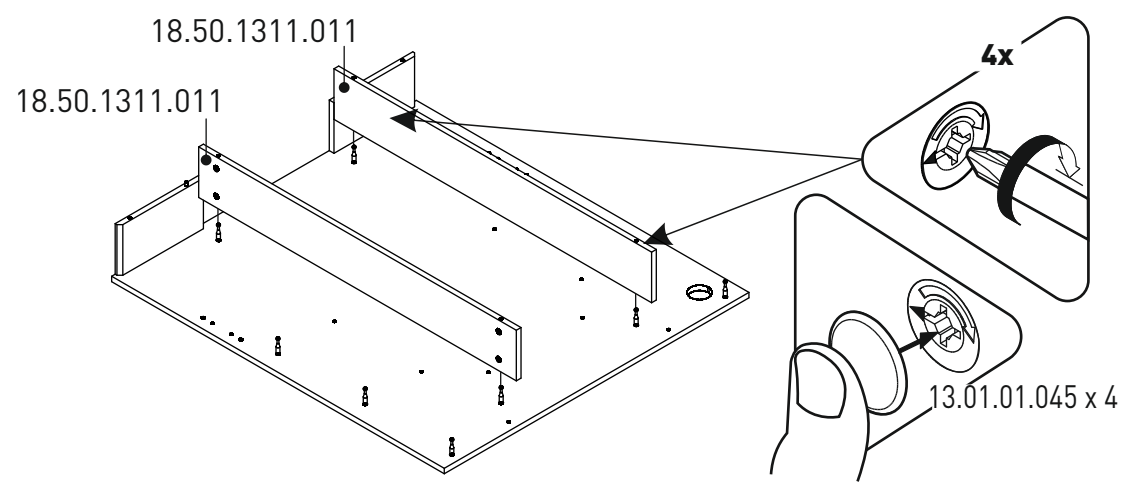
4



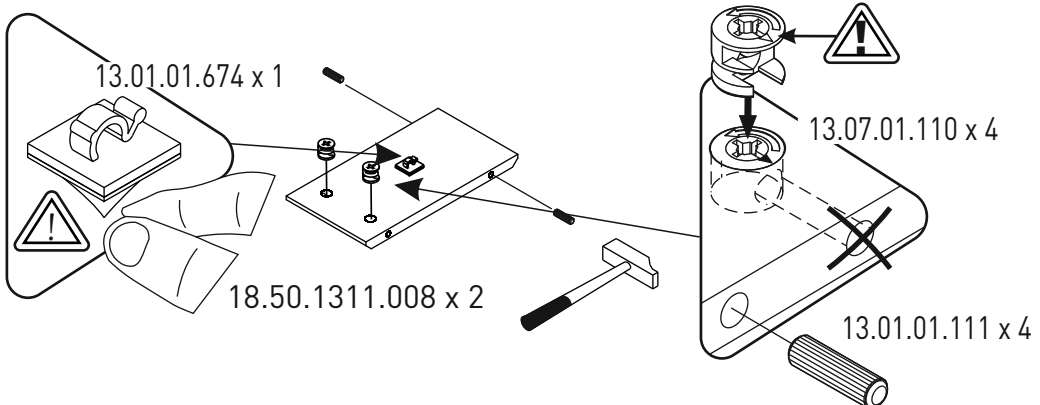
5



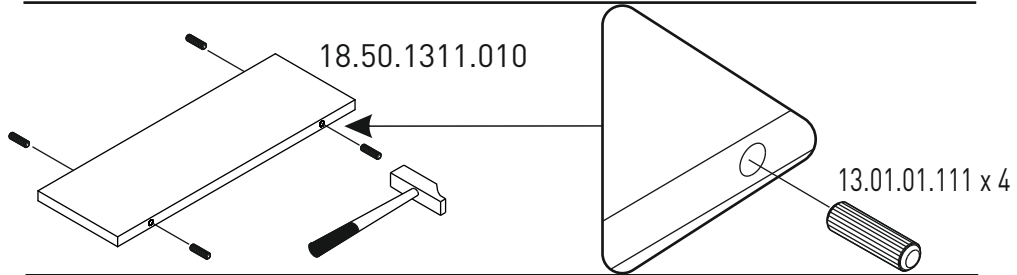
6



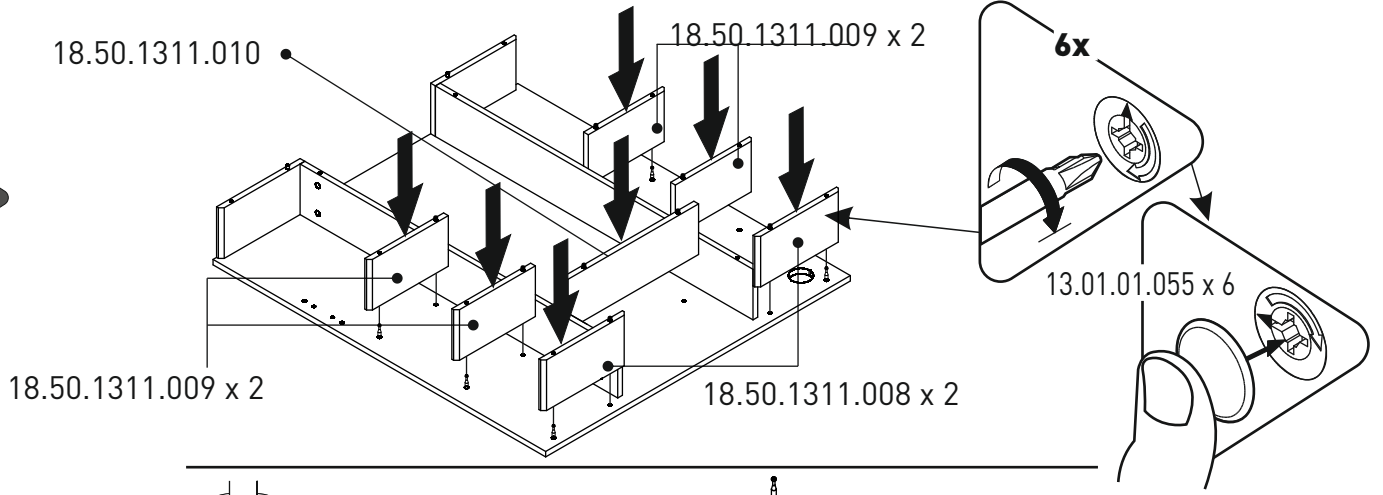
7



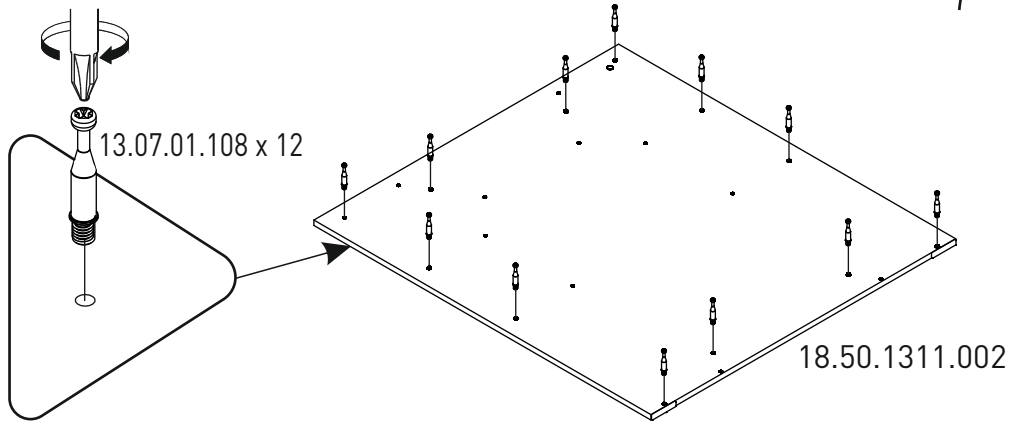
8



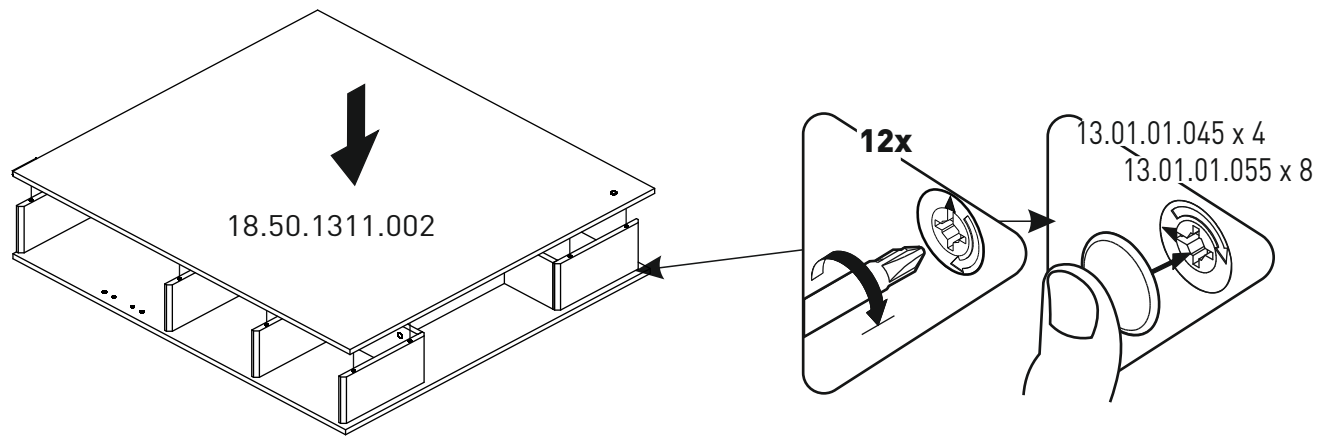
9

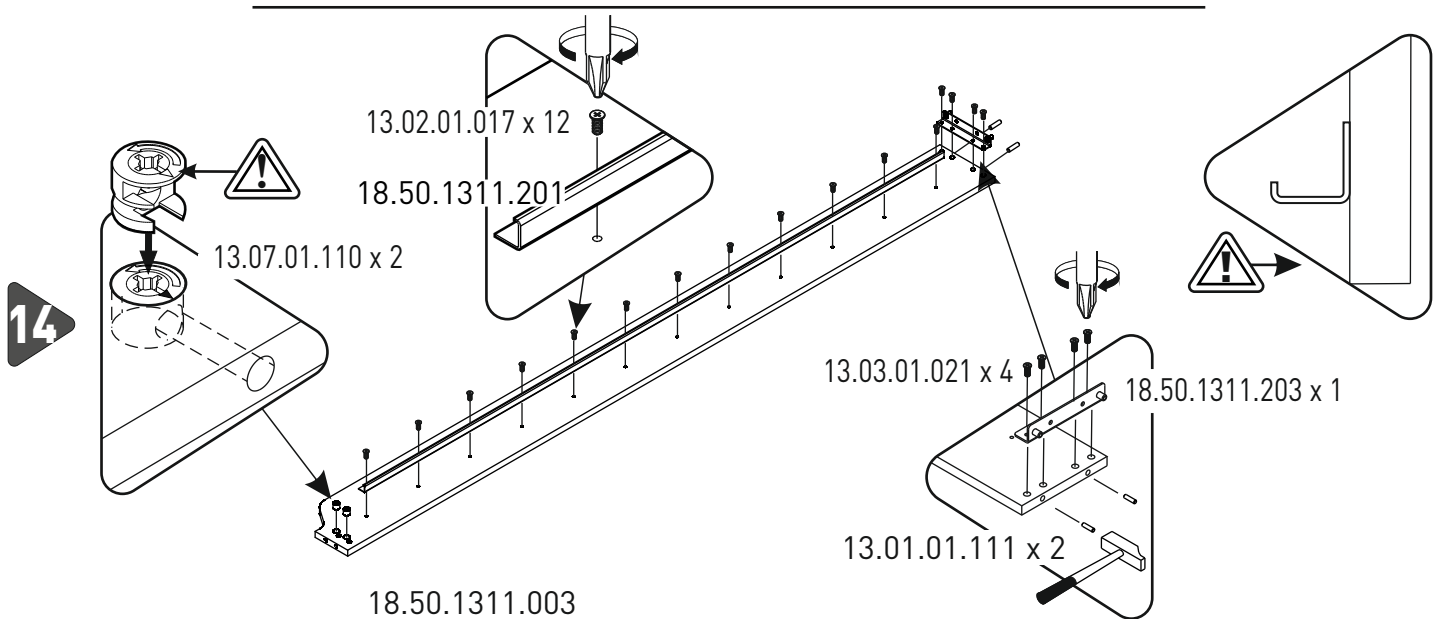
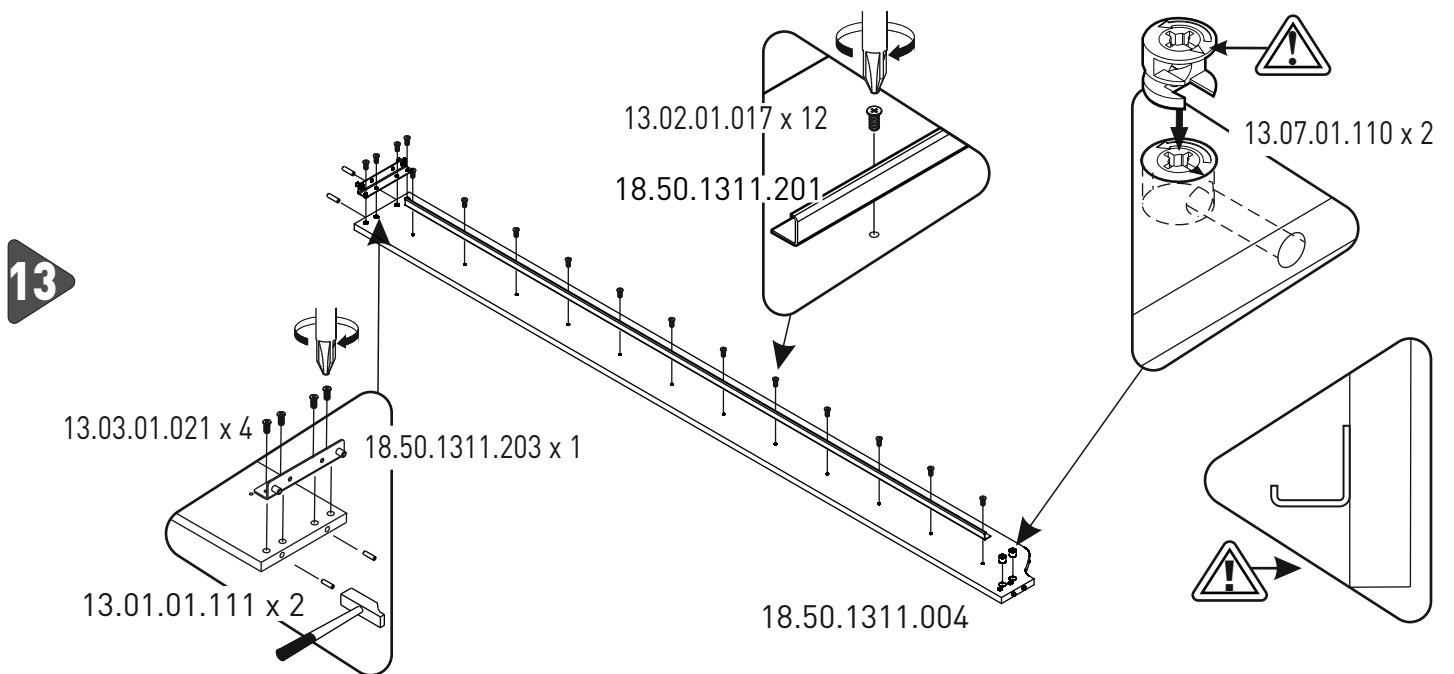
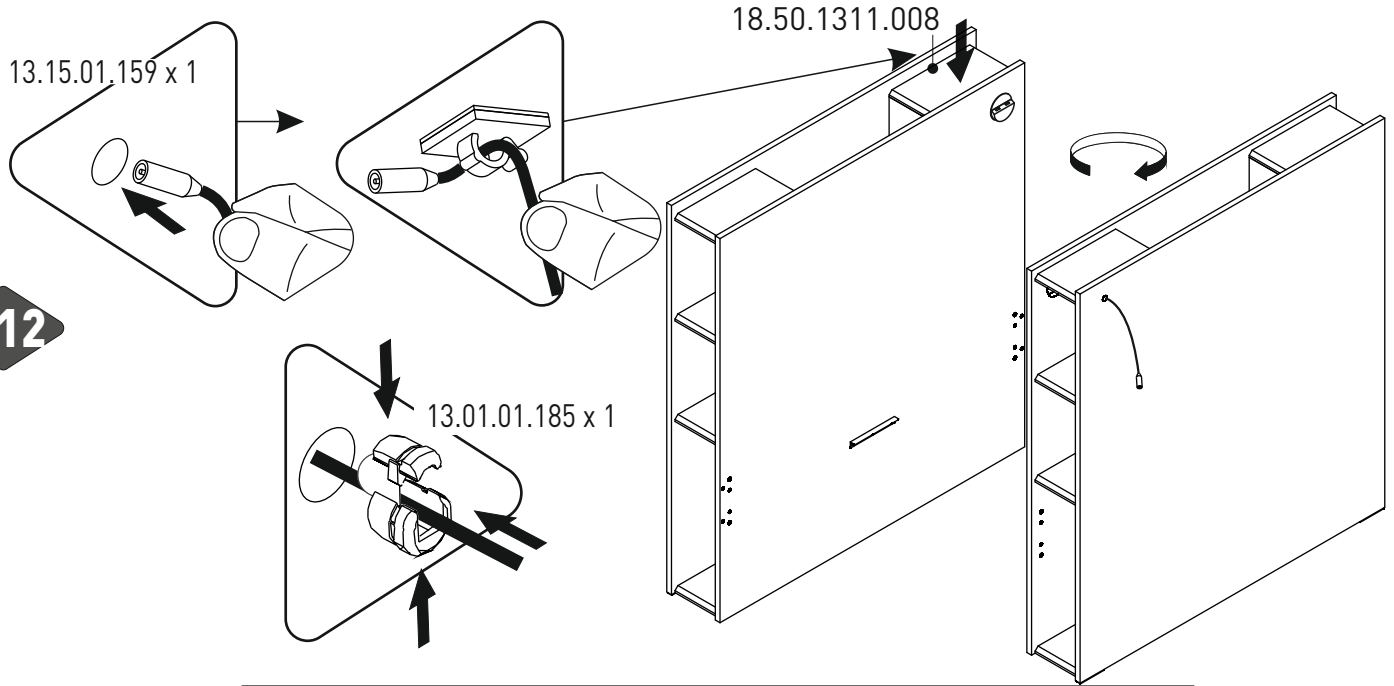


10

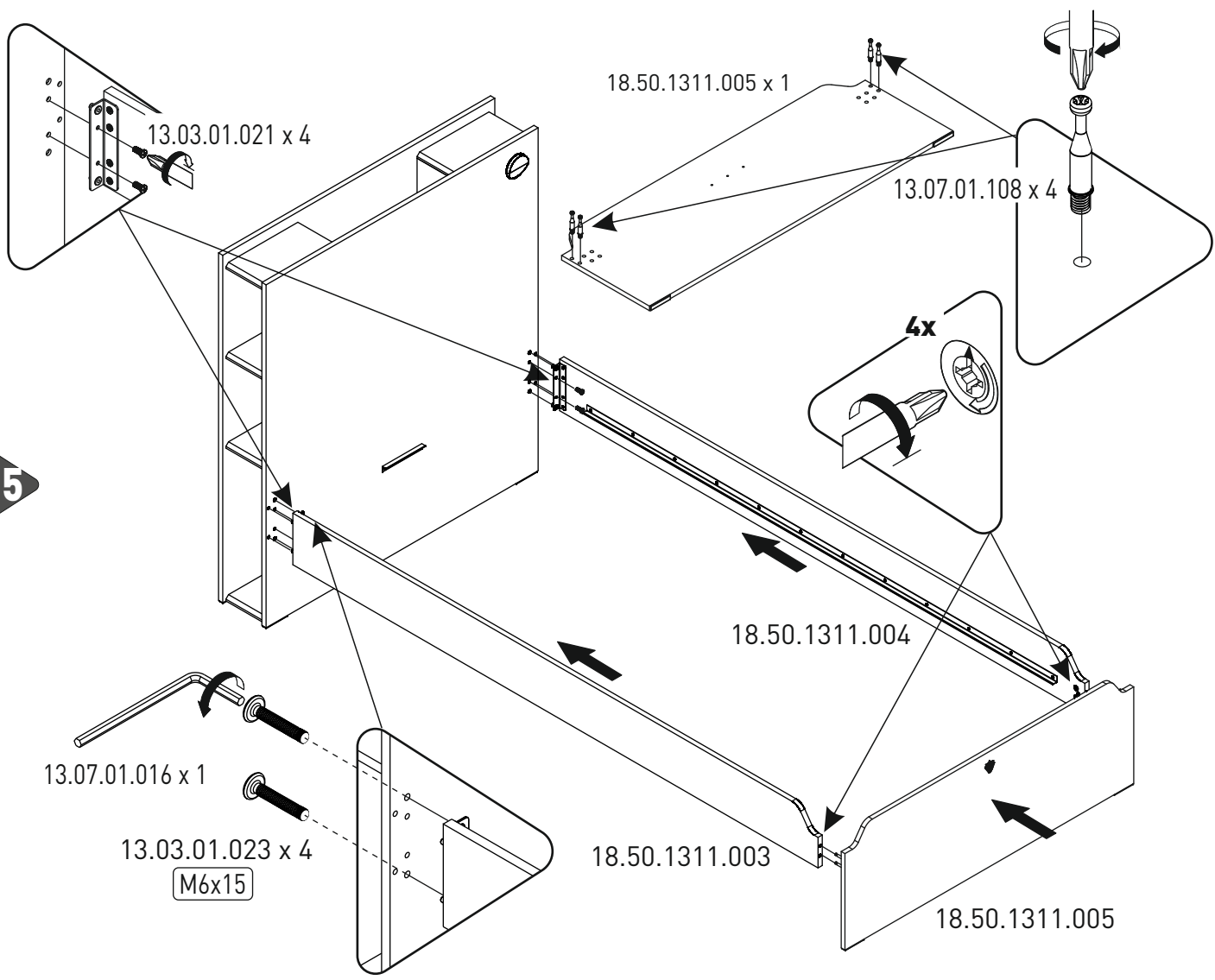


11

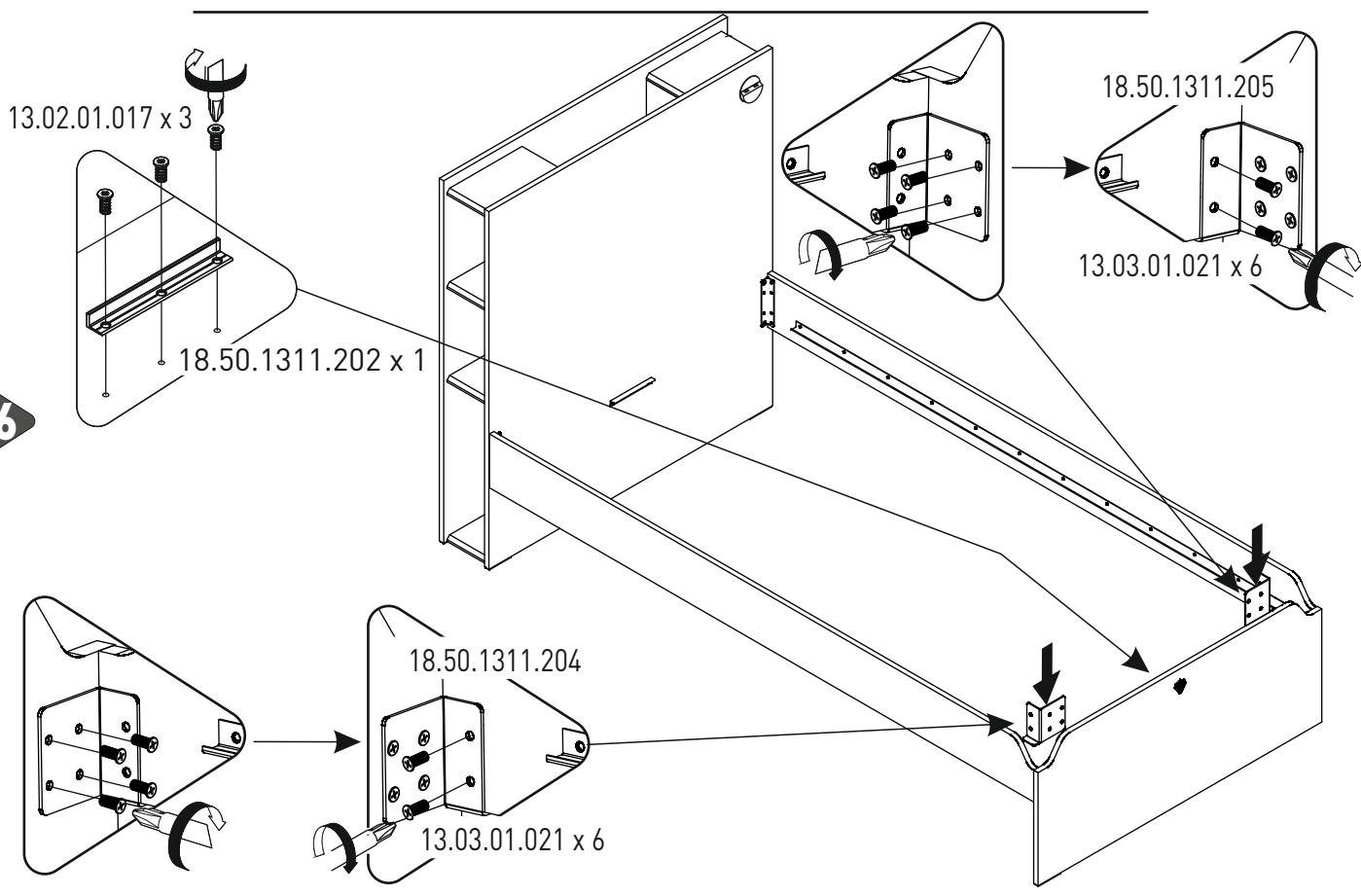




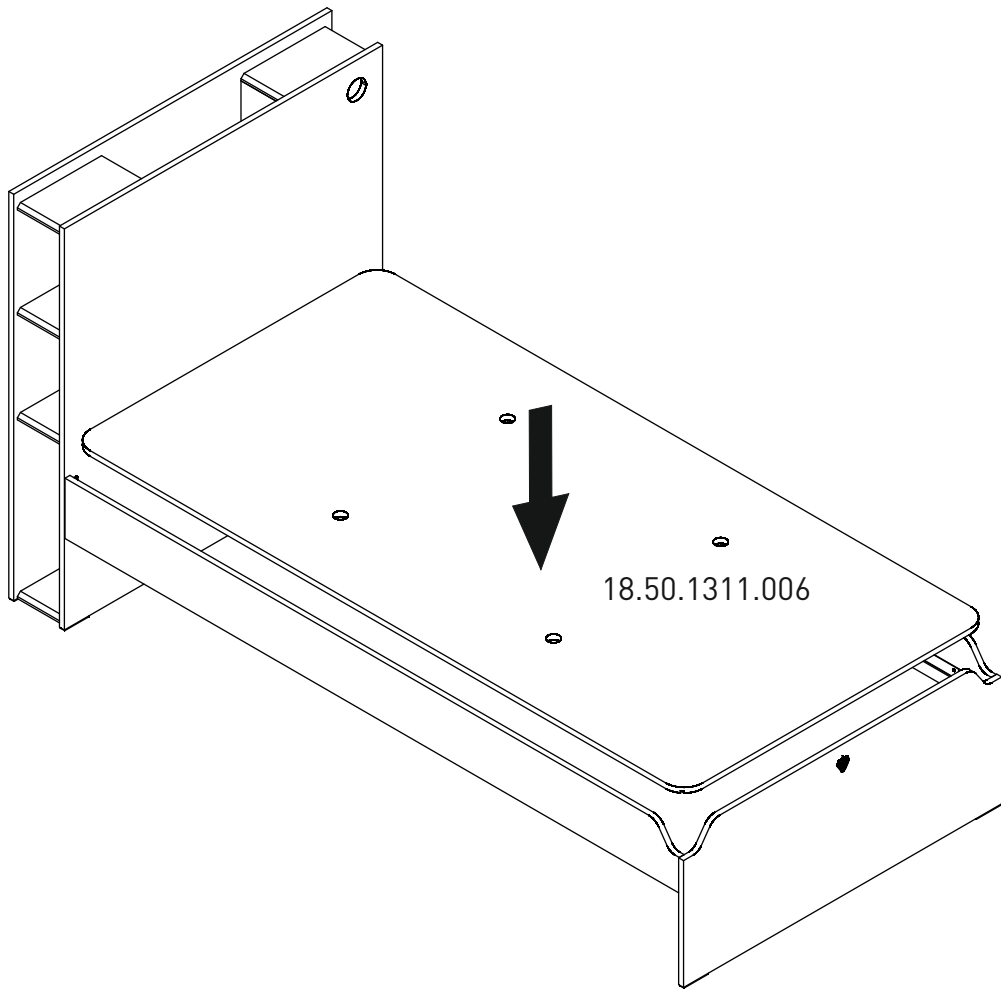
15



16



17



18

13.15.01.093 x 1

