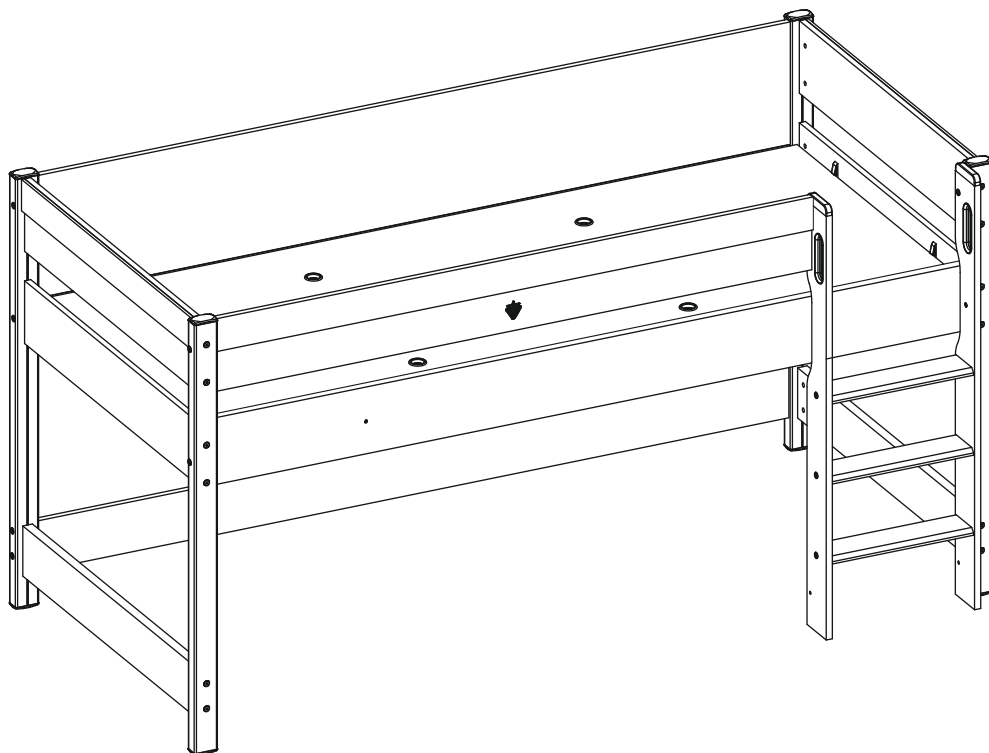
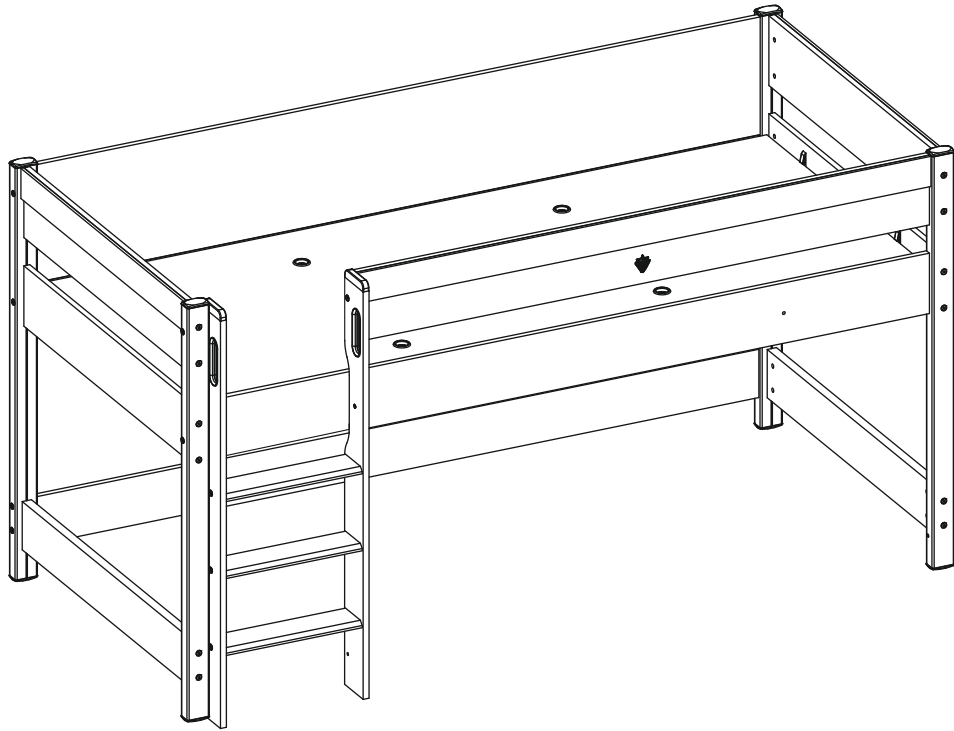
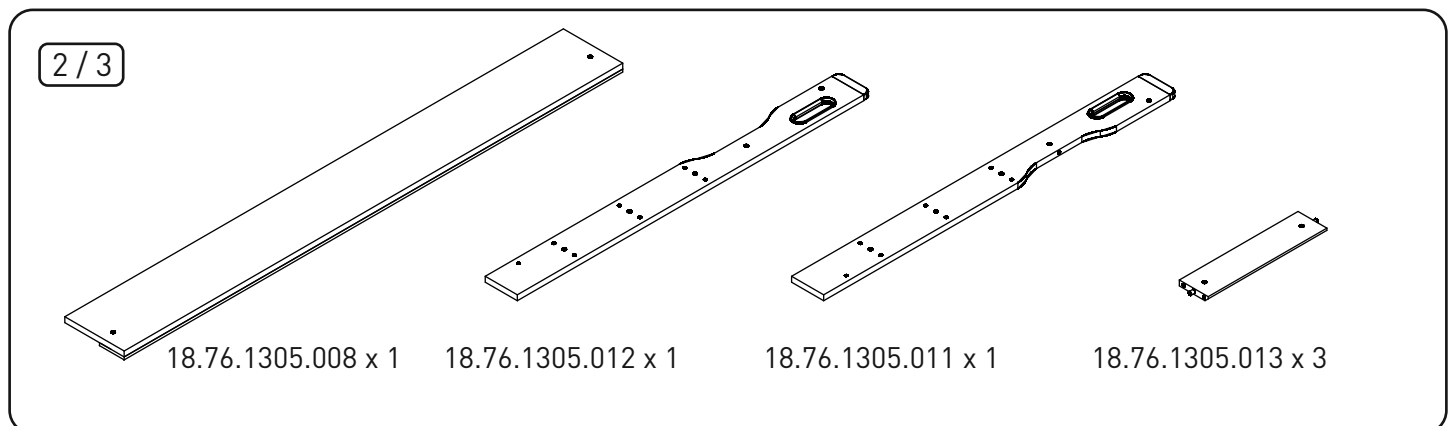
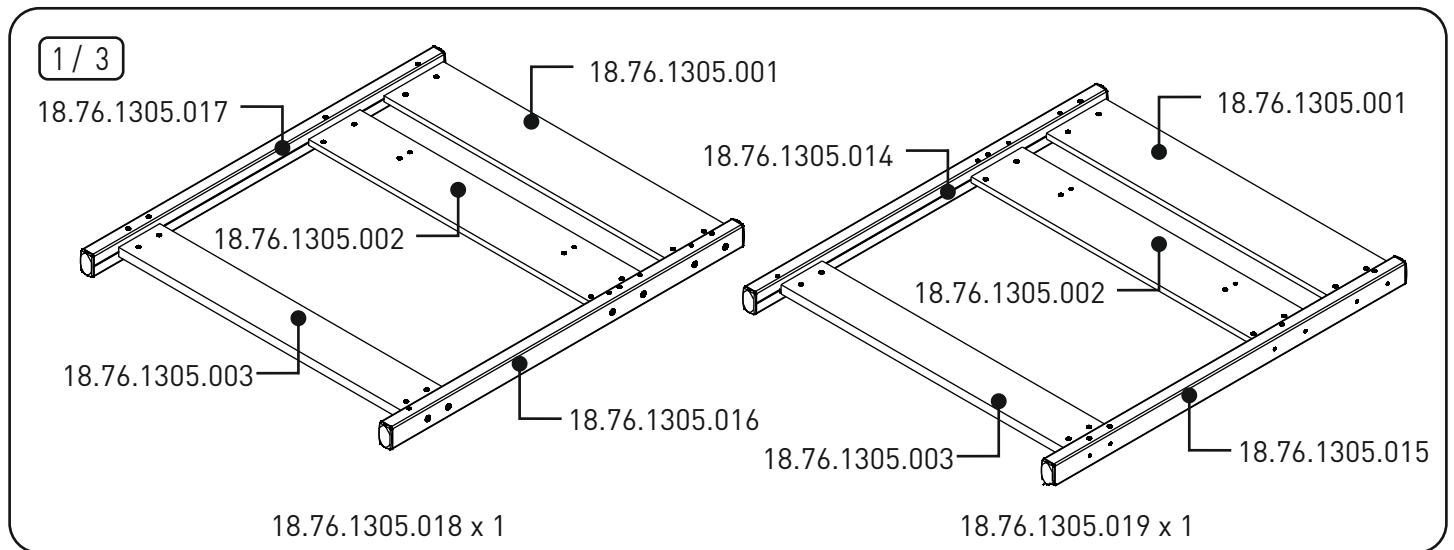
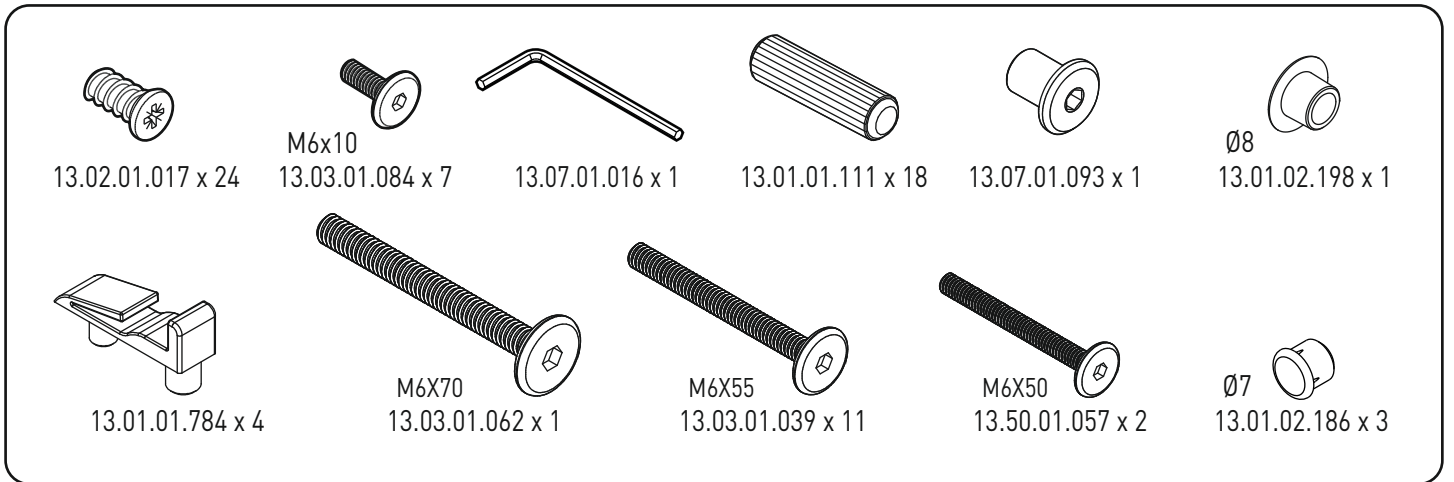
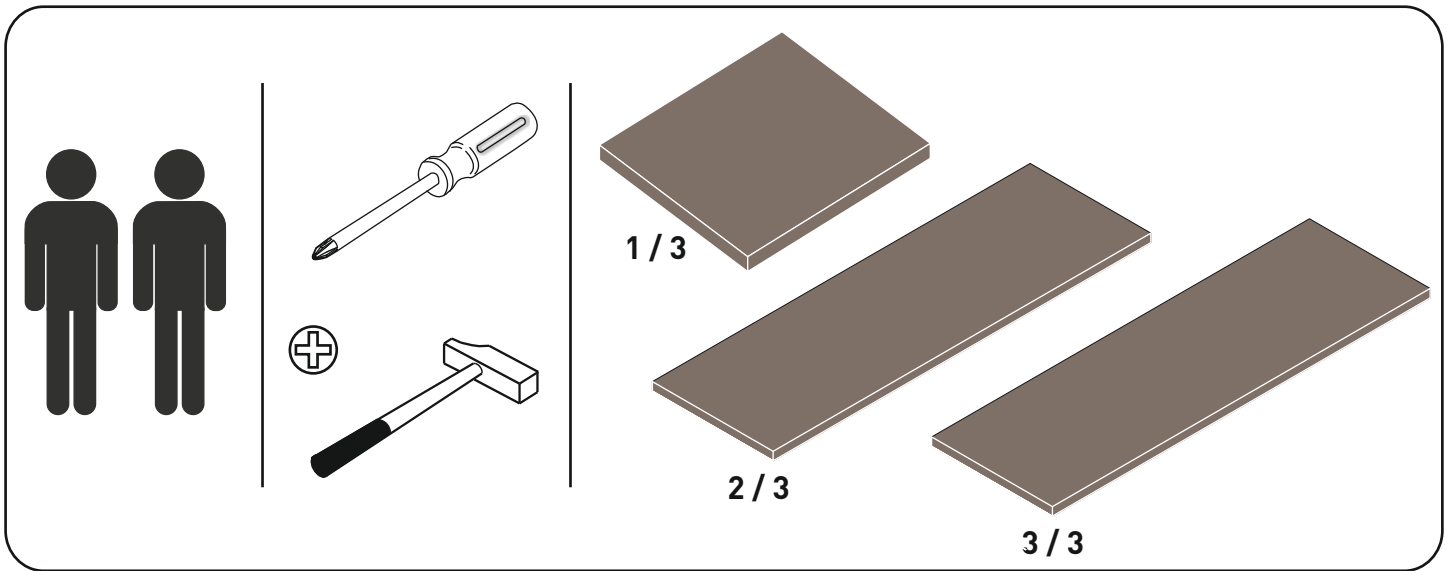
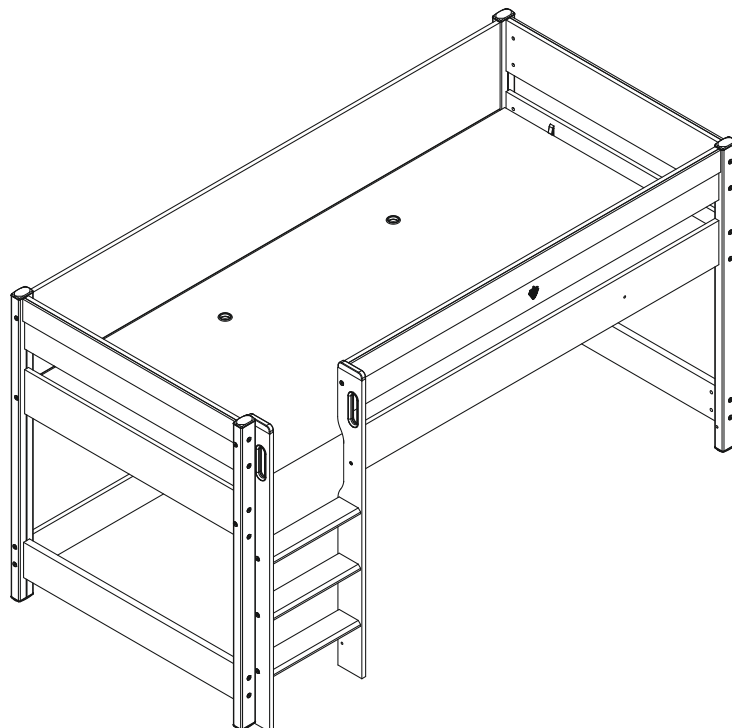
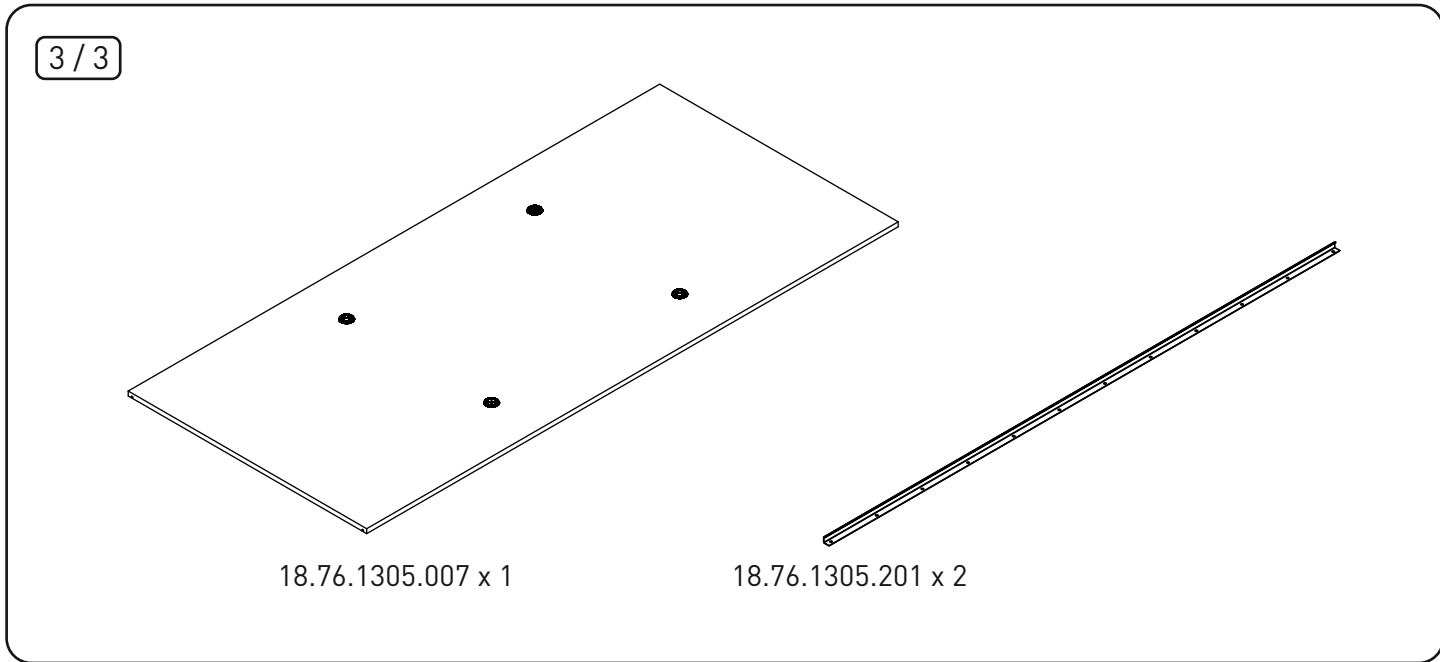
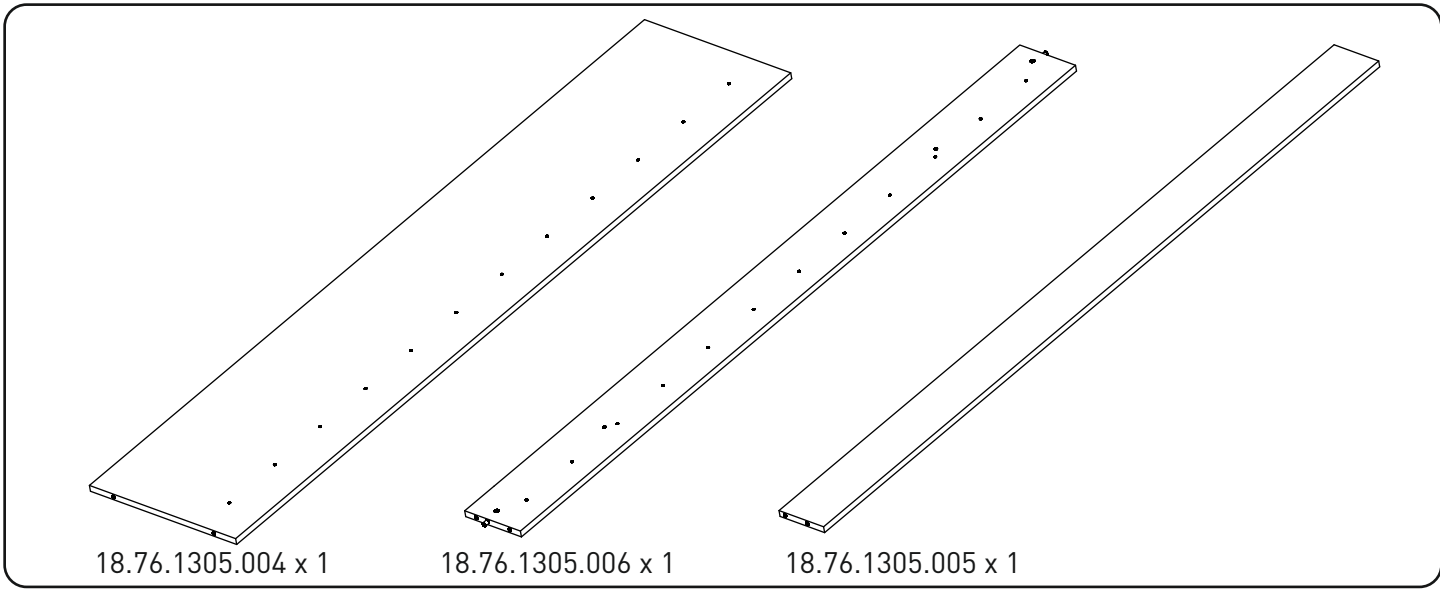


20.76.1305.00

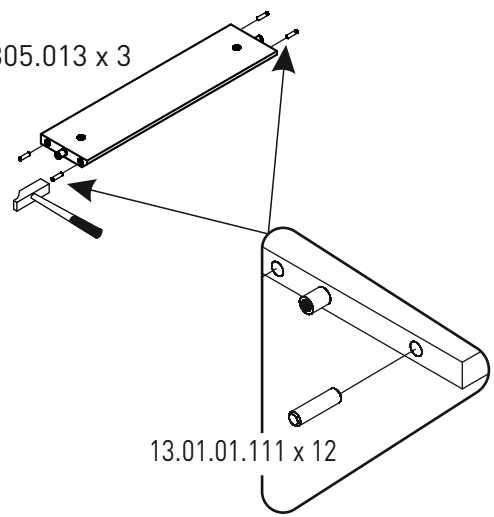






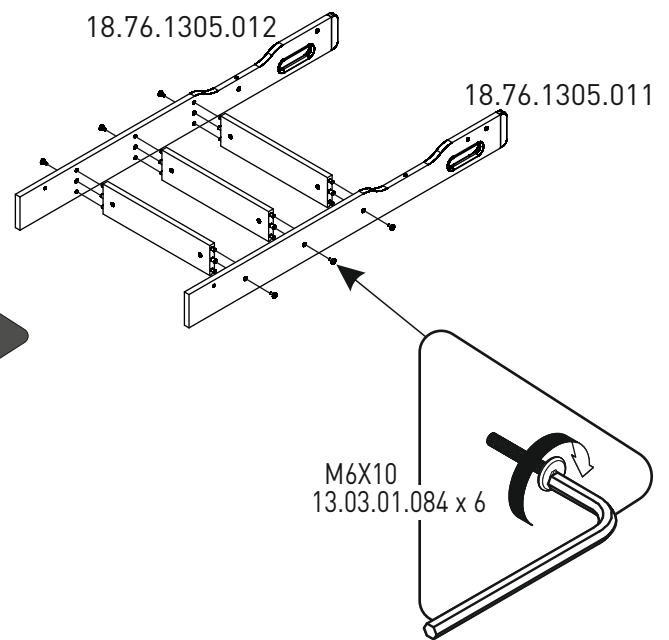
1

18.76.1305.013 x 3



13.01.01.111 x 12

2

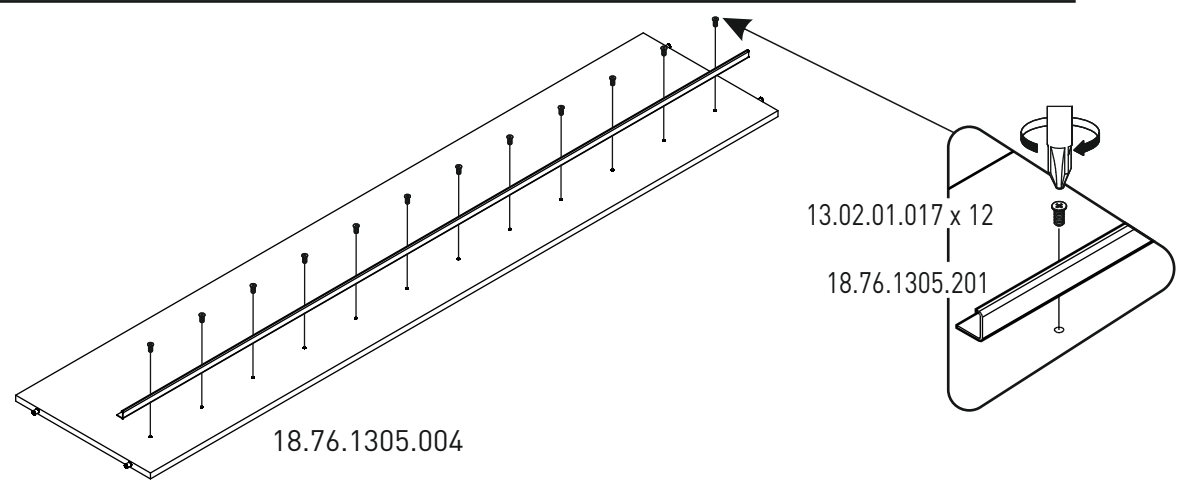


18.76.1305.012

18.76.1305.011

M6X10
13.03.01.084 x 6

3

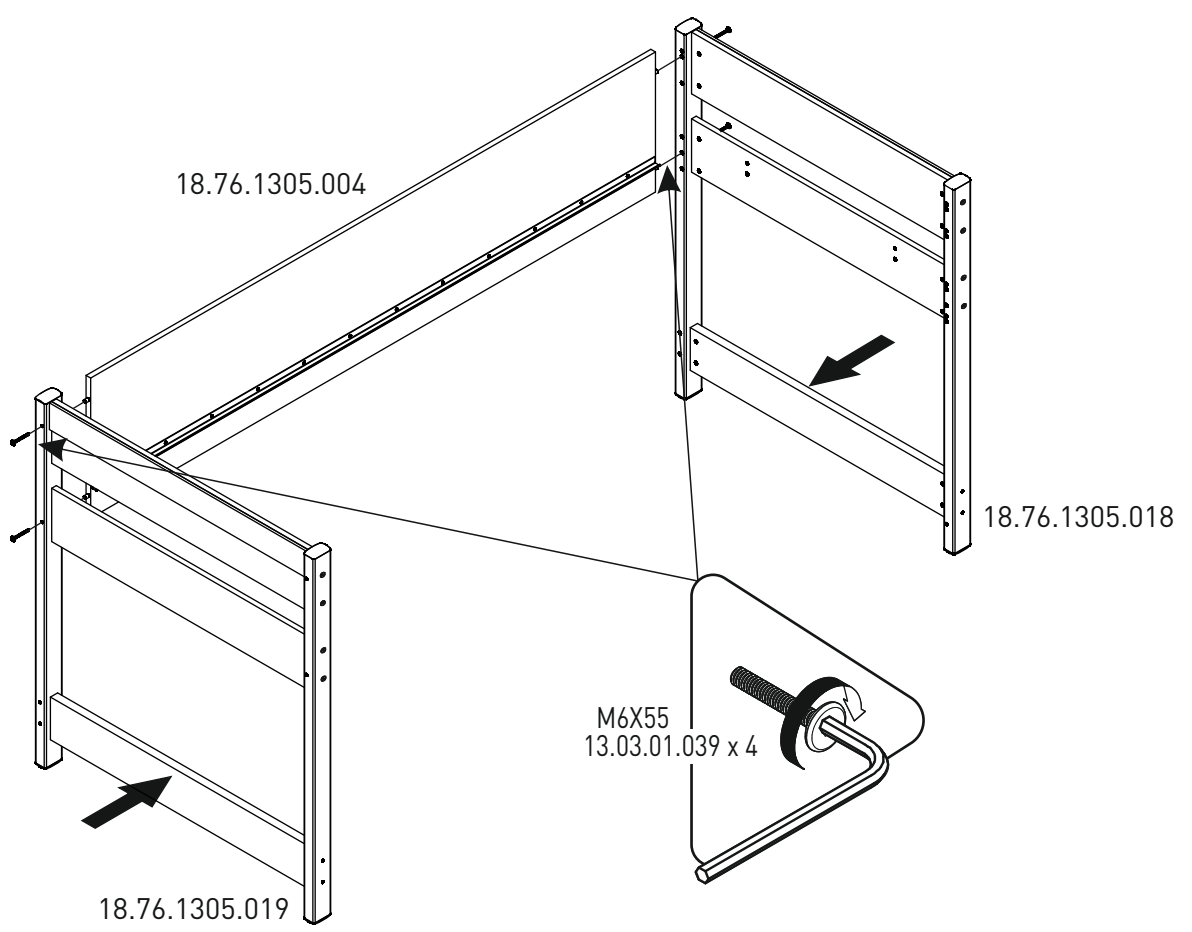


13.02.01.017 x 12

18.76.1305.004

18.76.1305.201

4



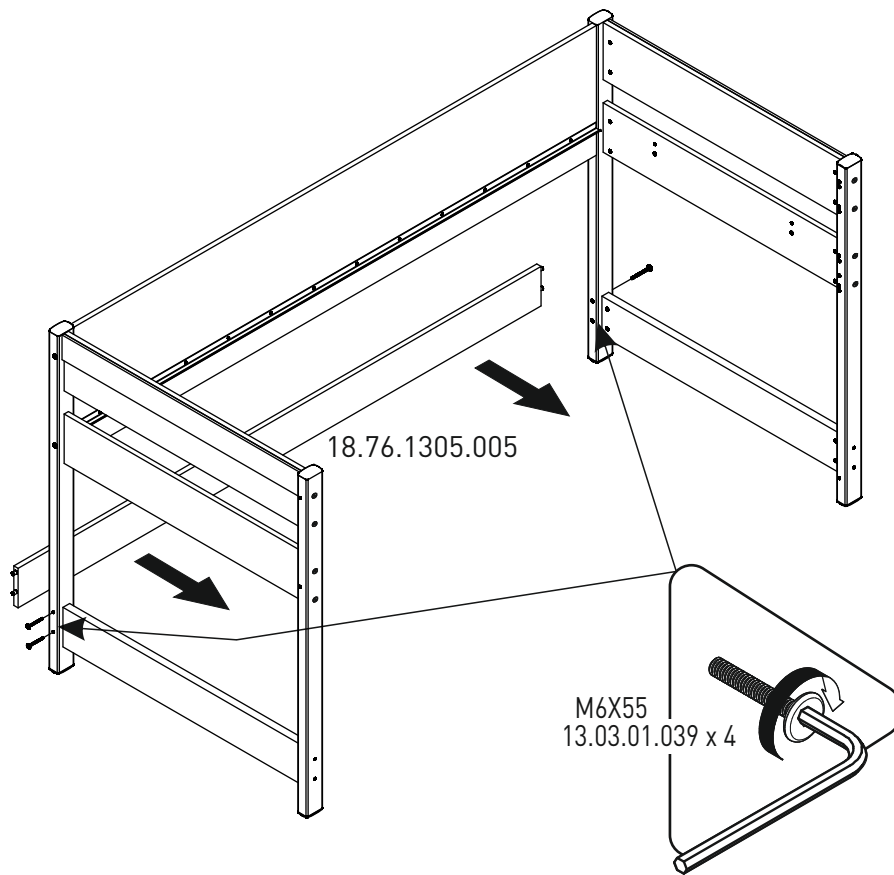
18.76.1305.004

18.76.1305.018

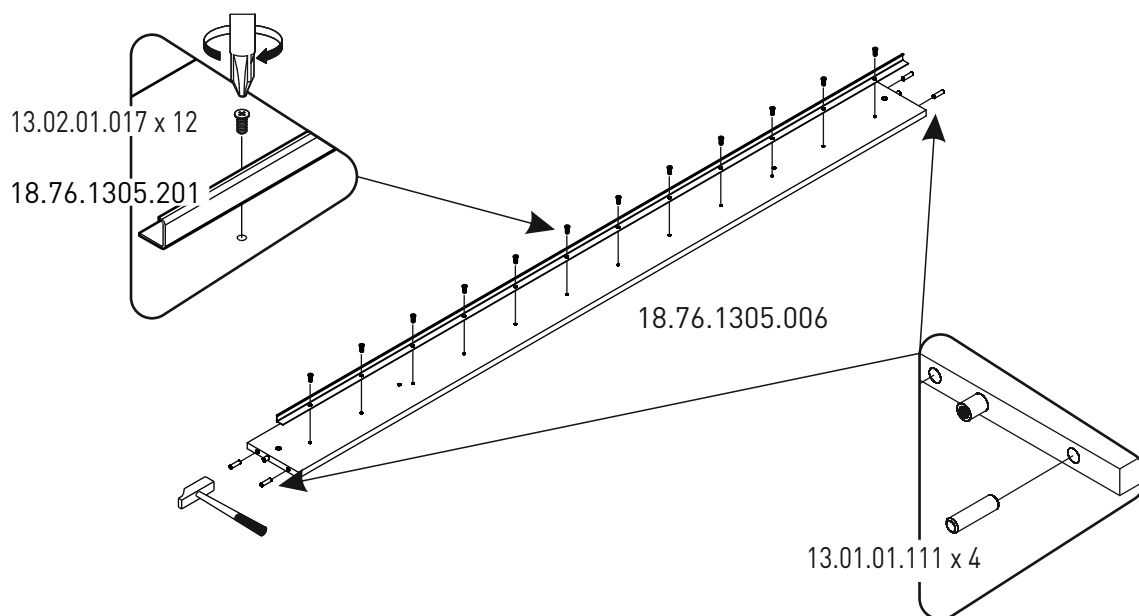
18.76.1305.019

M6X55
13.03.01.039 x 4

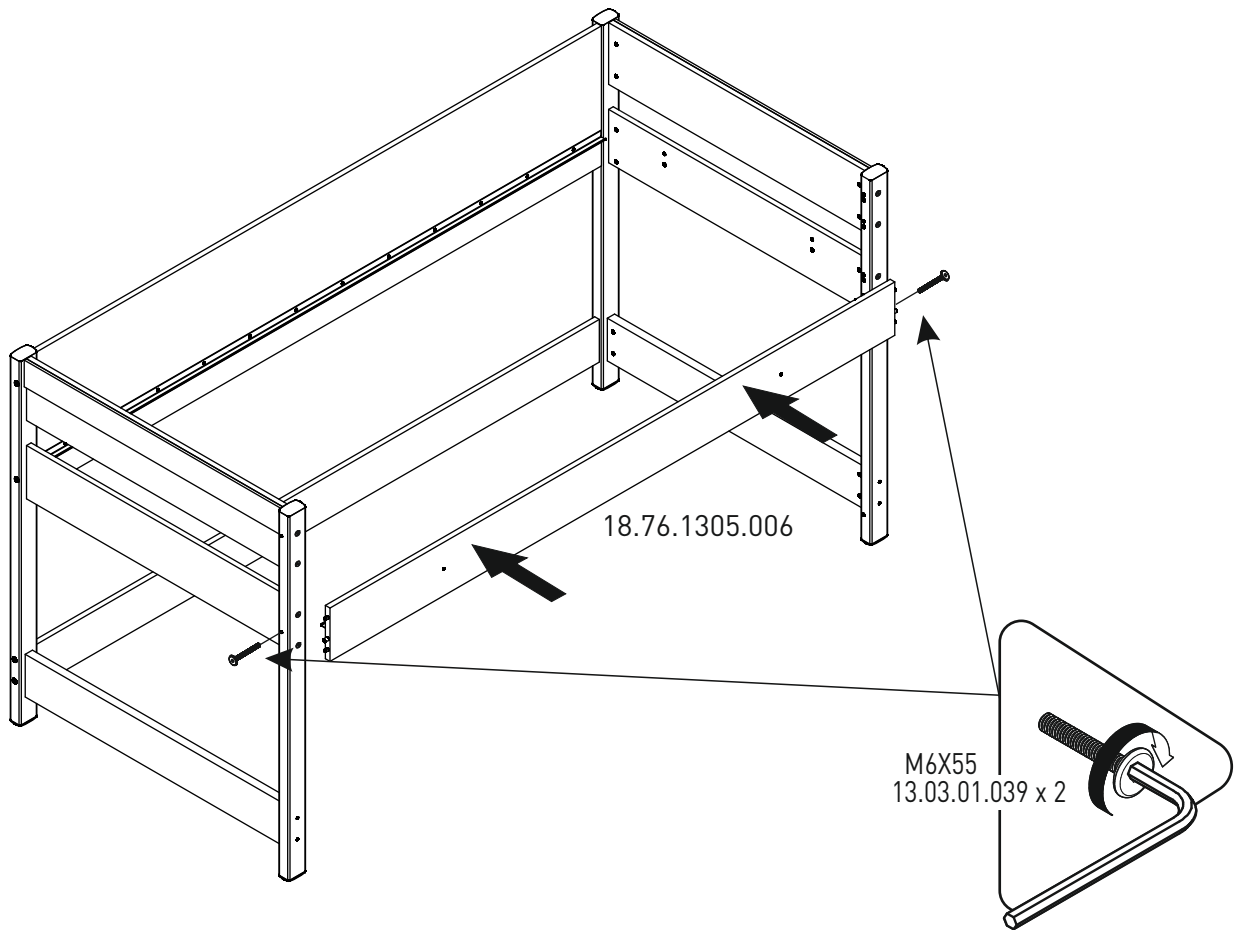
5



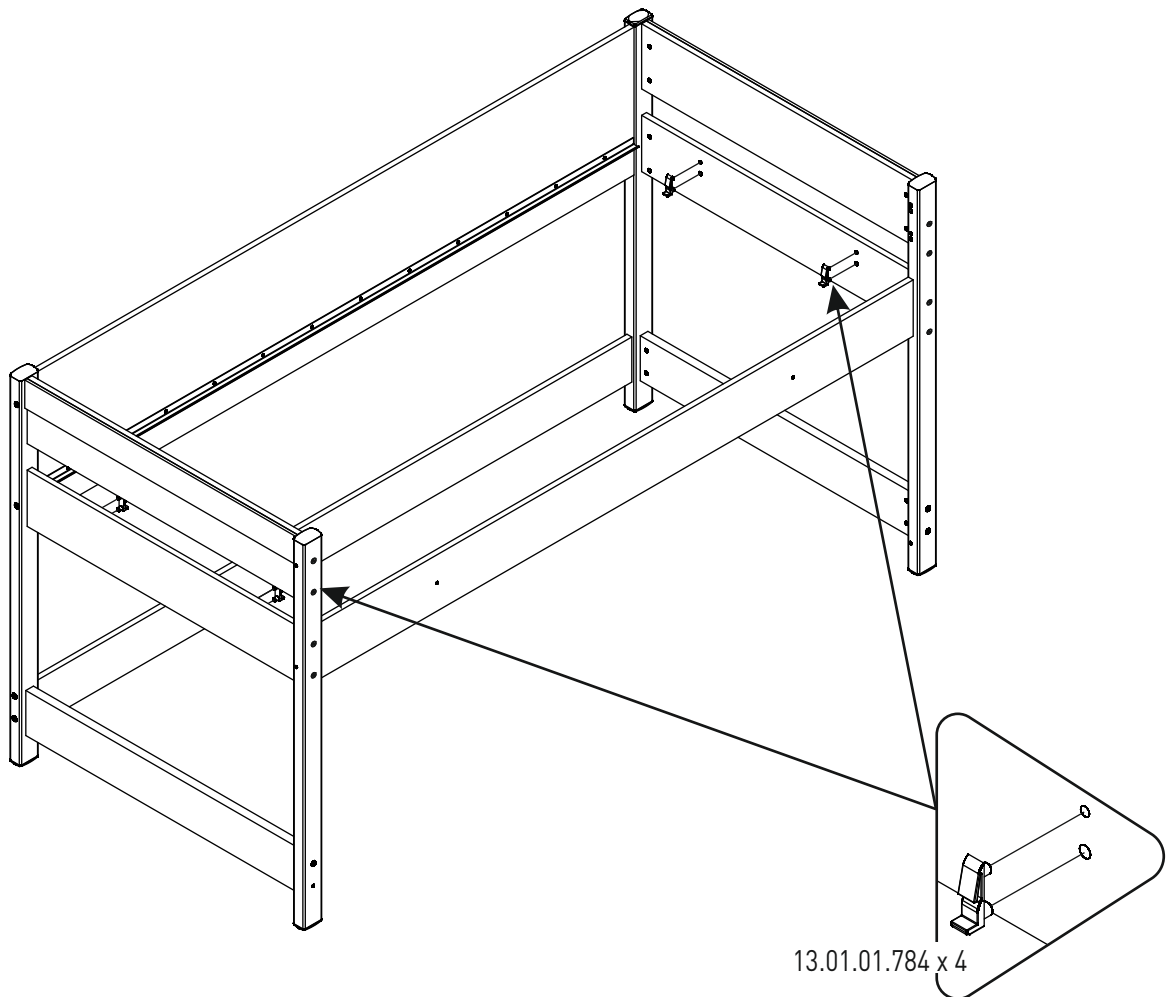
6



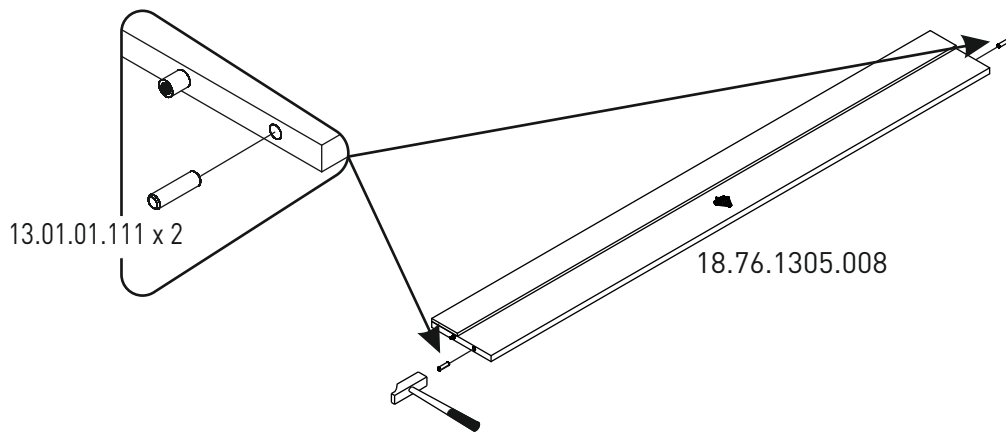
7



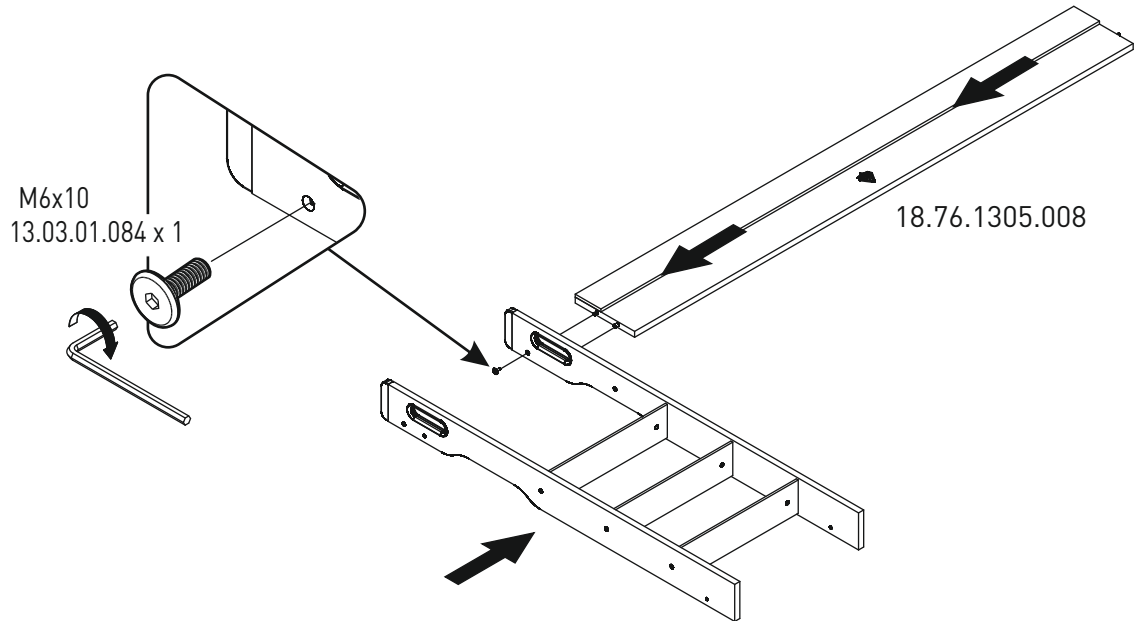
8



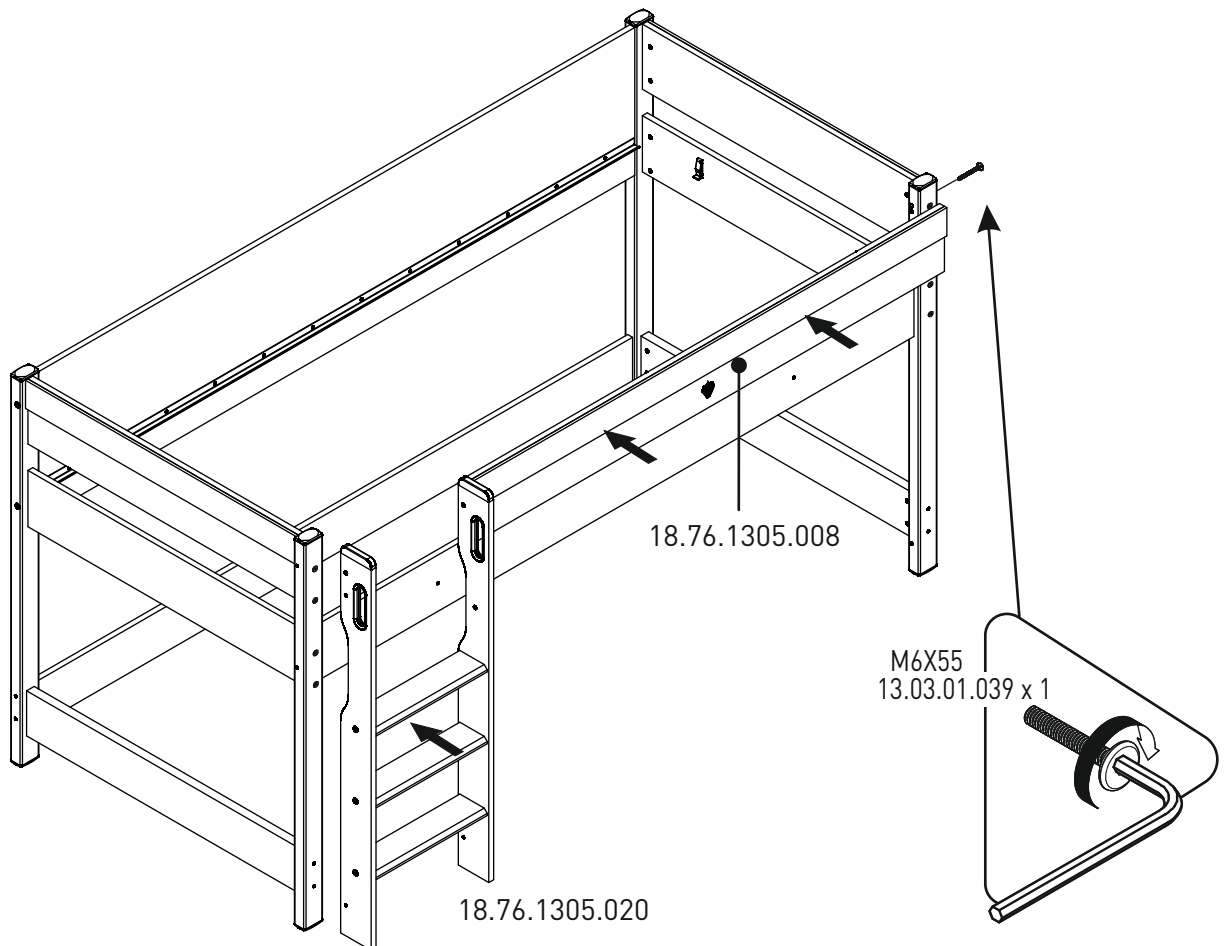
9

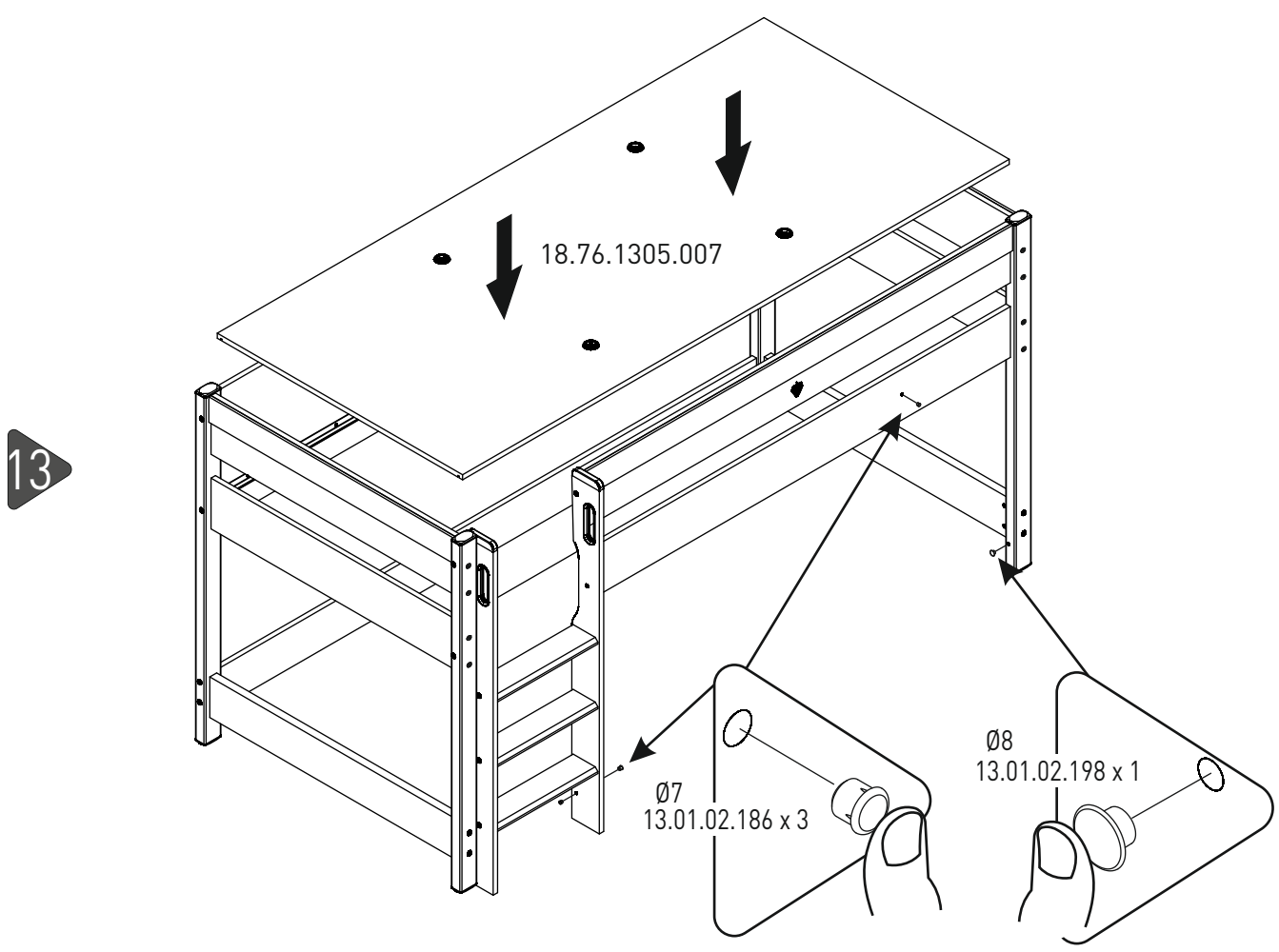
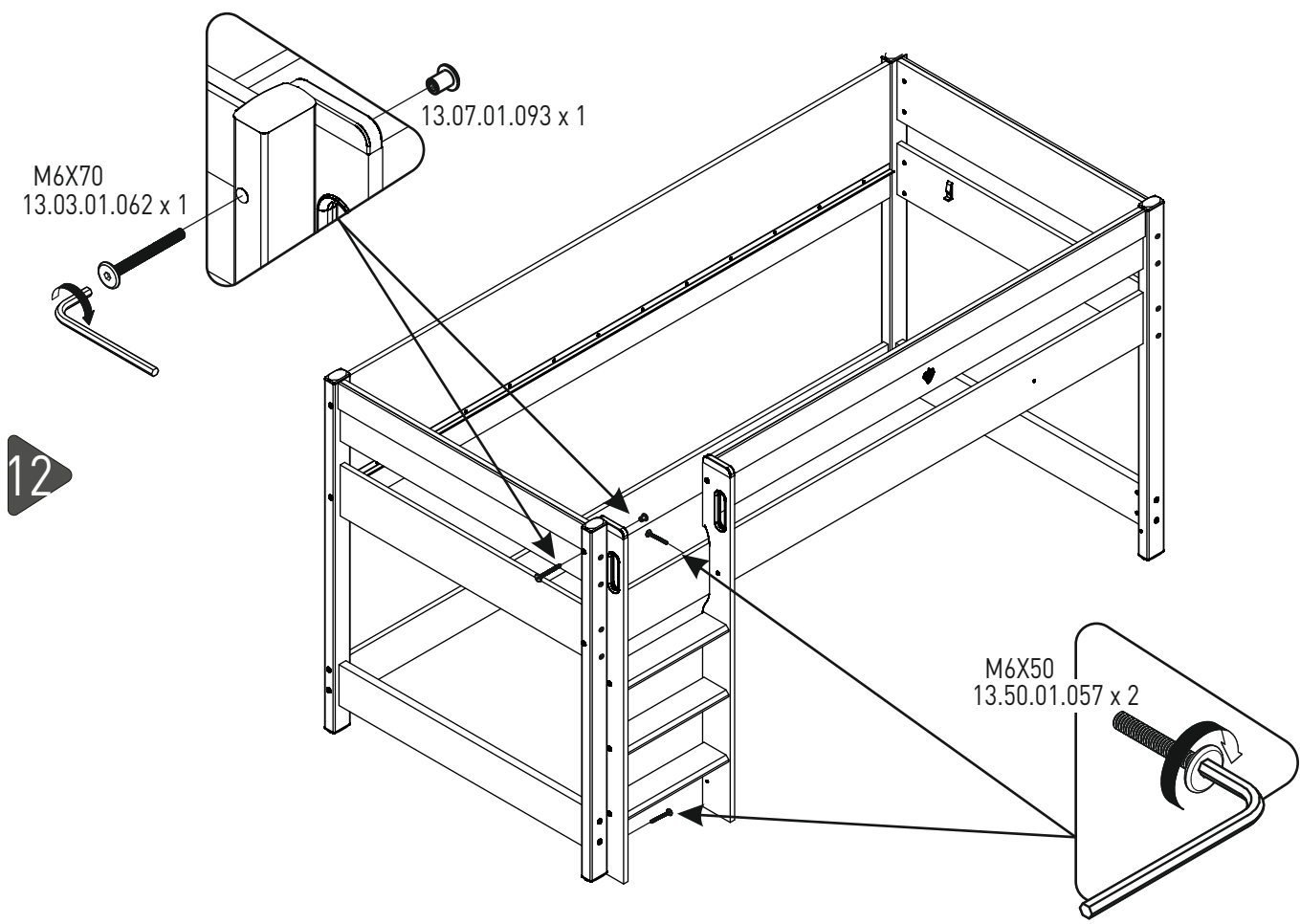


10

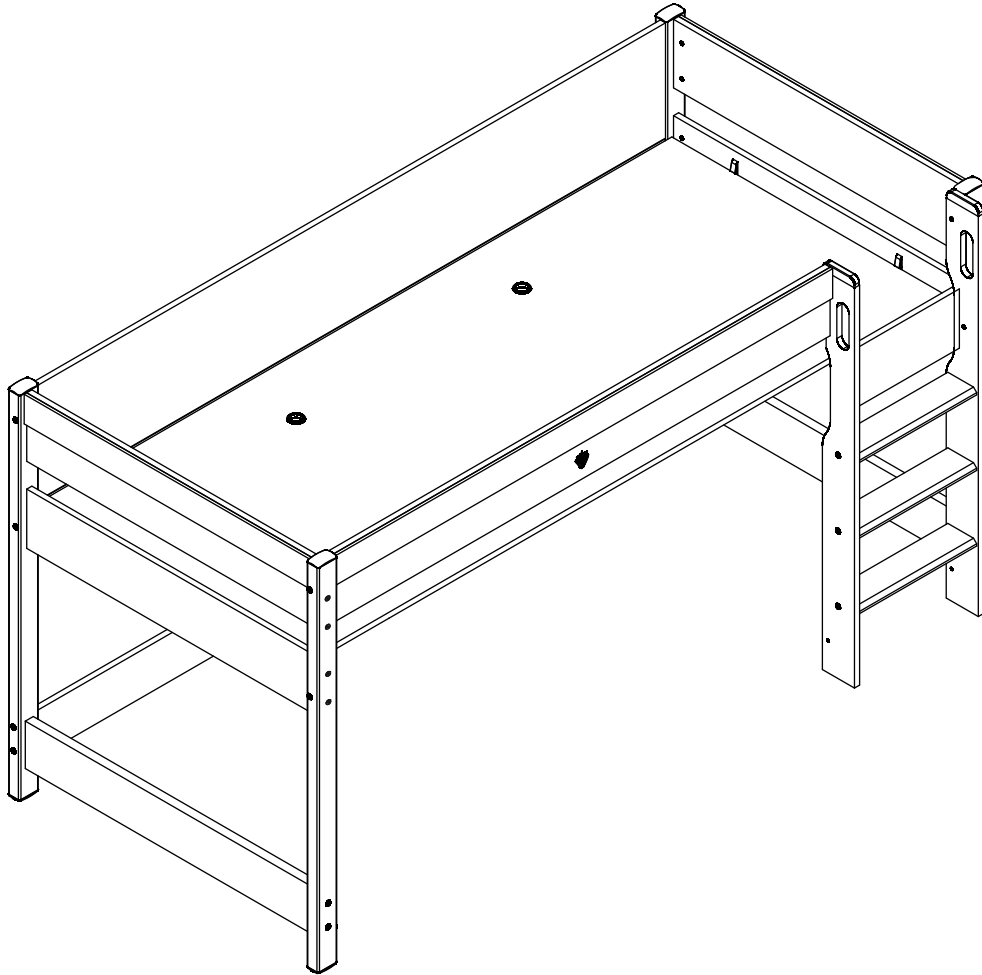


11

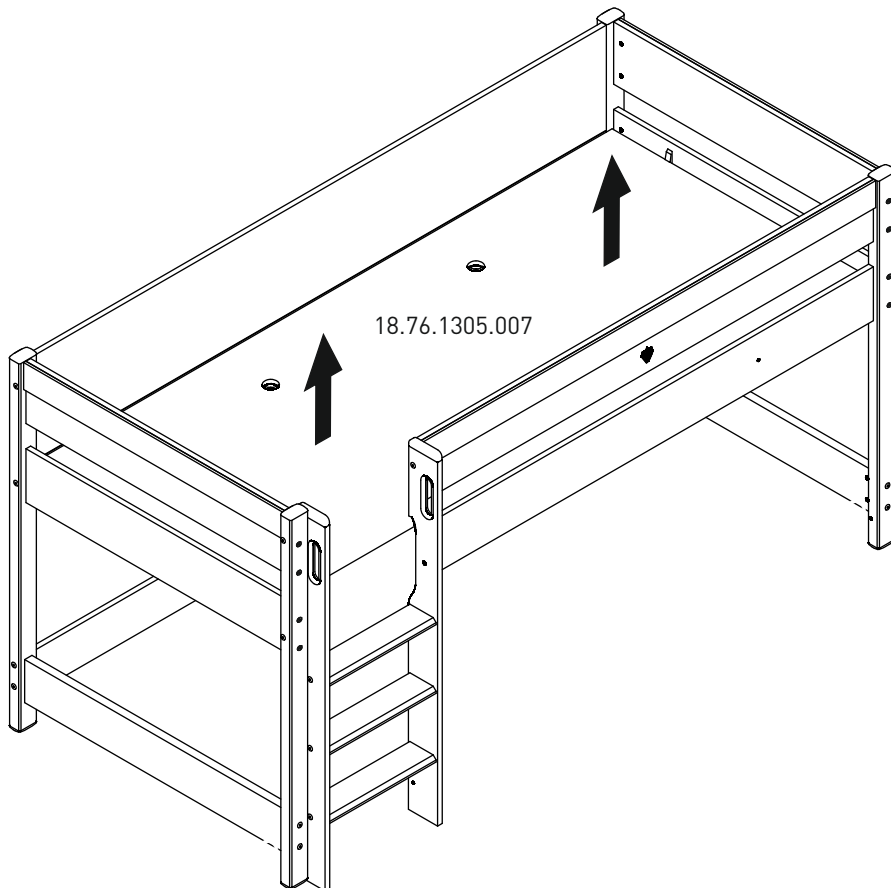




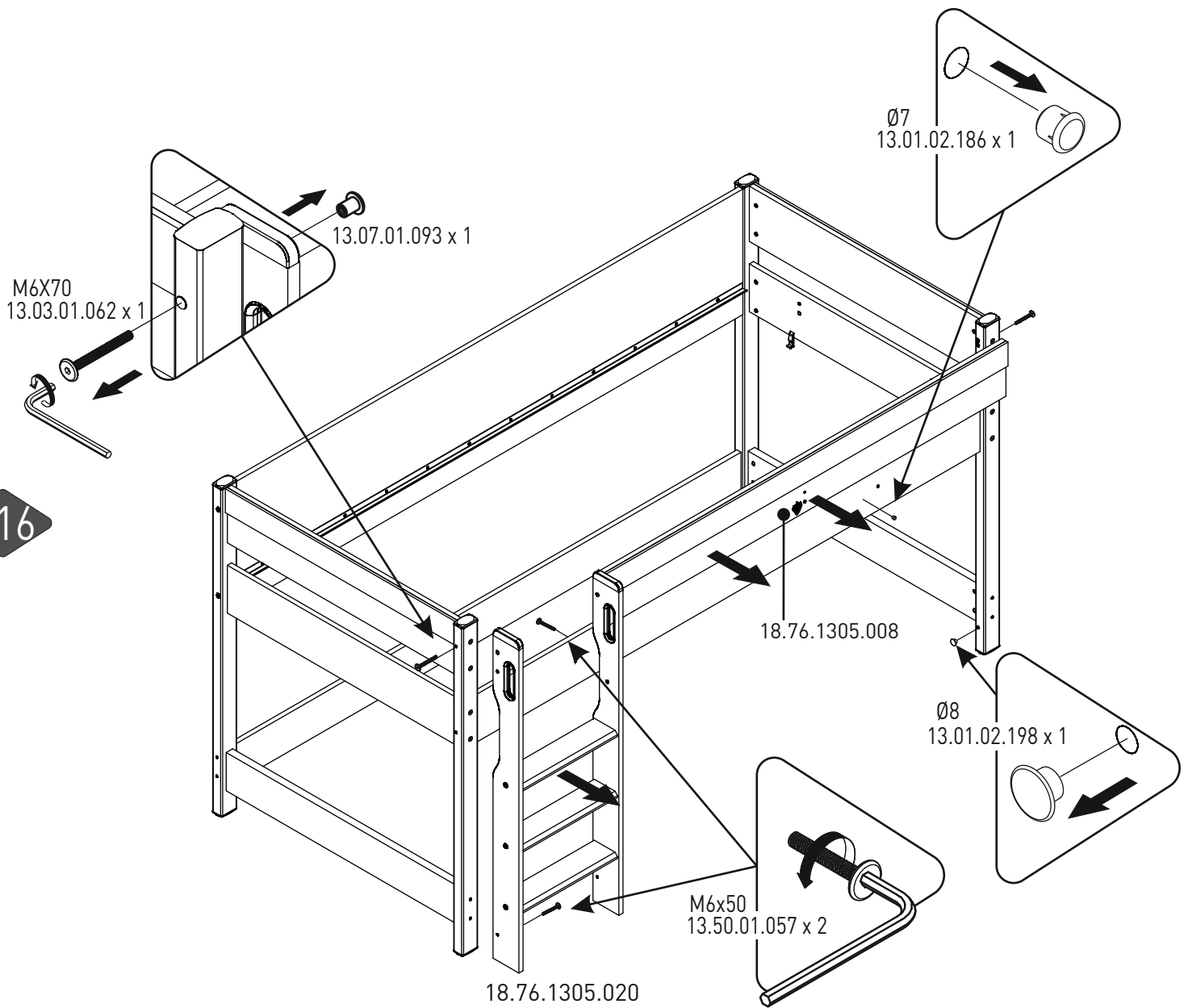
14



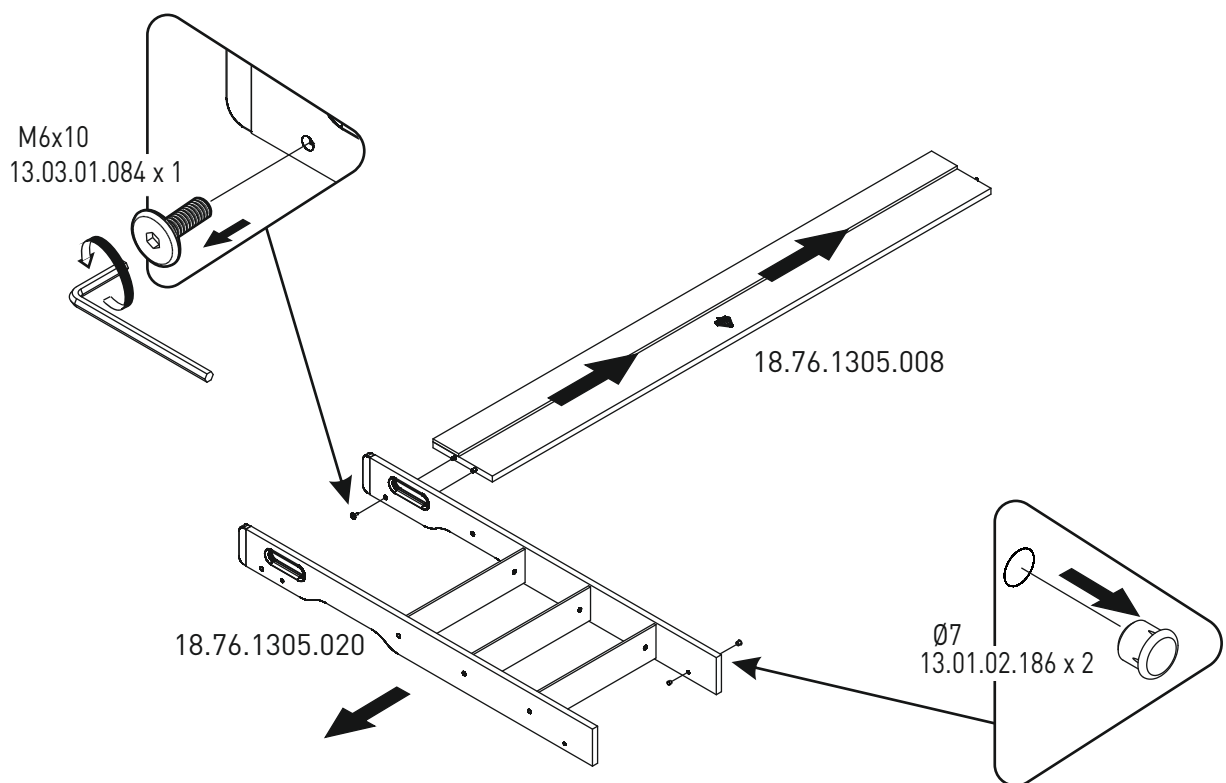
15



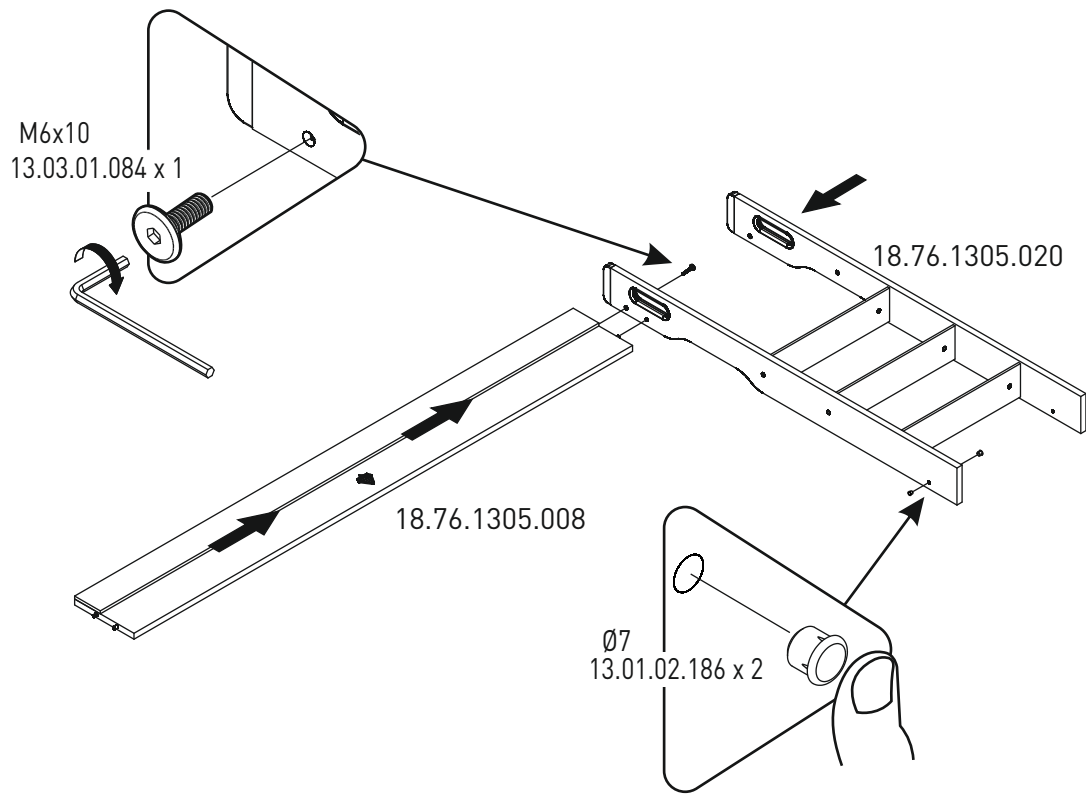
16



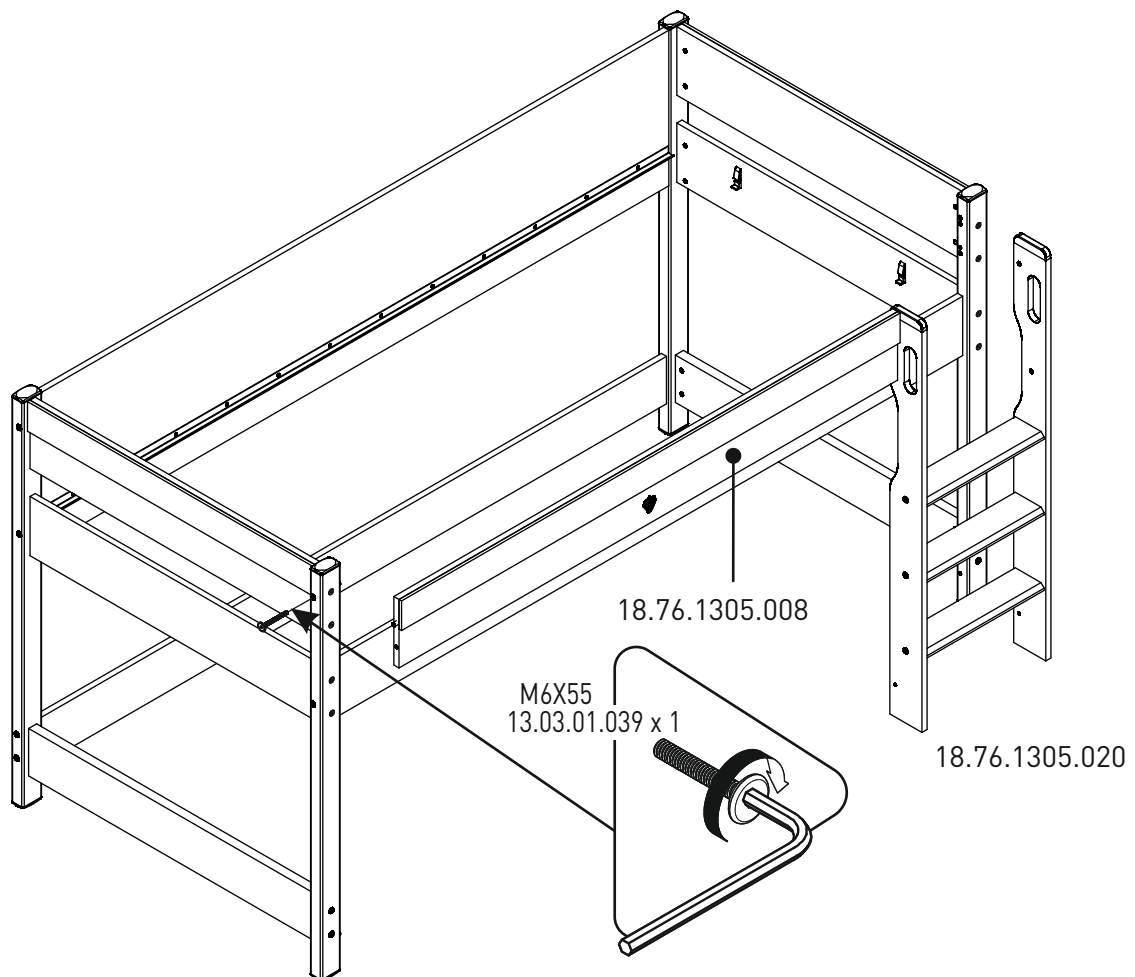
17



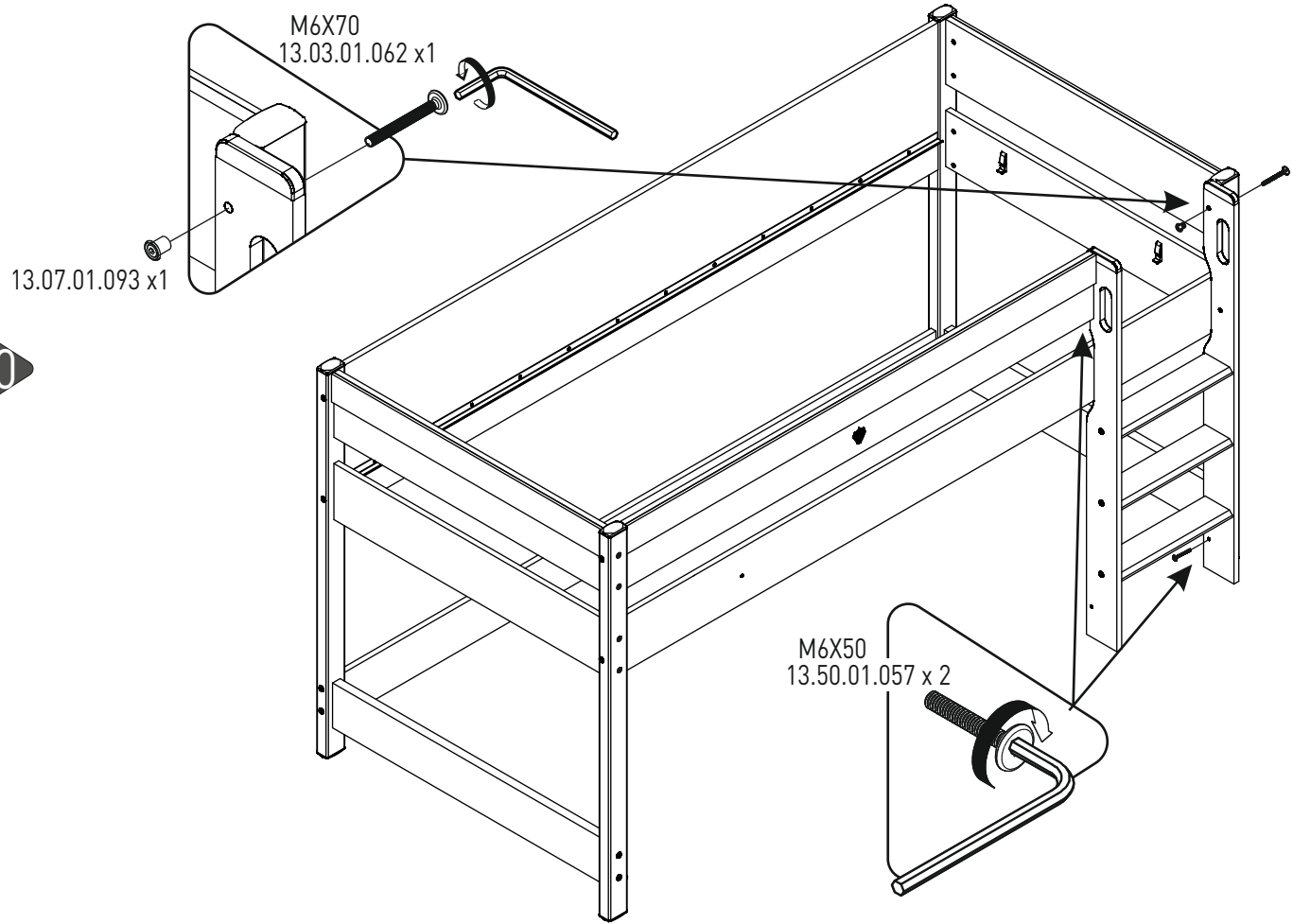
18



19



20



21

