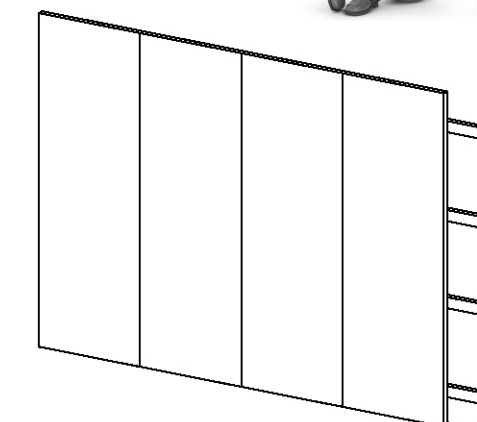
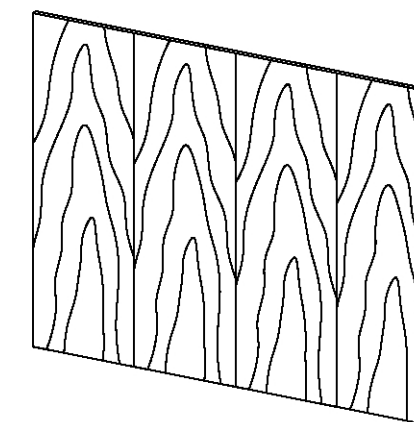
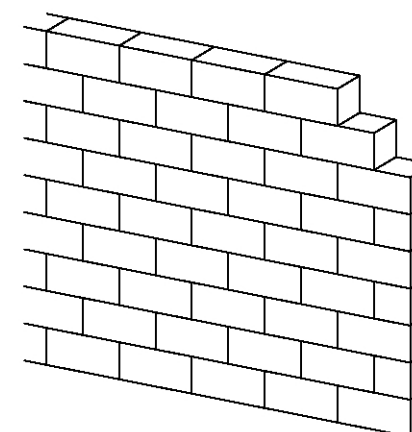
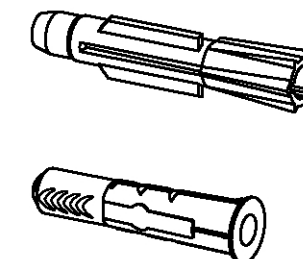
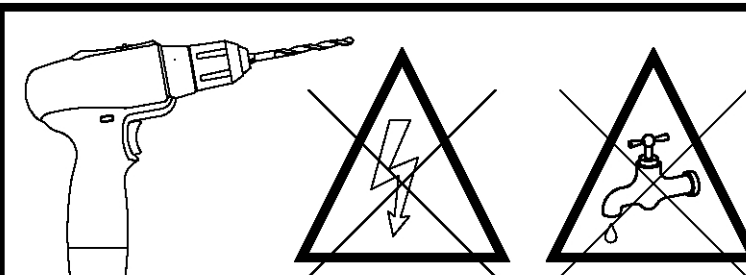
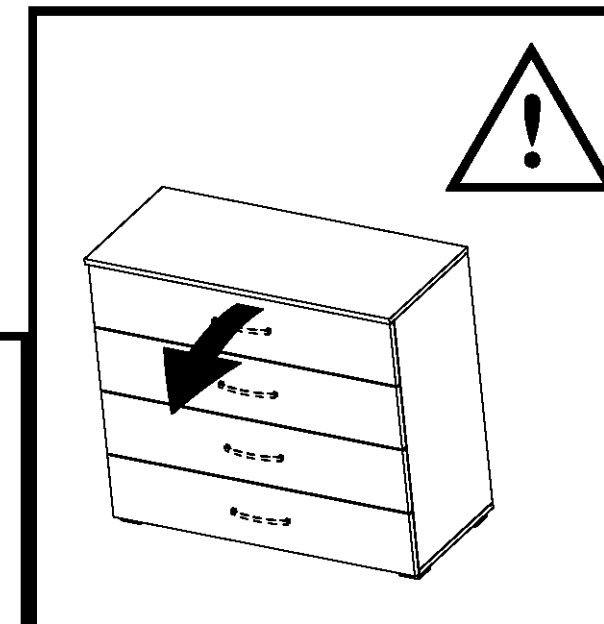
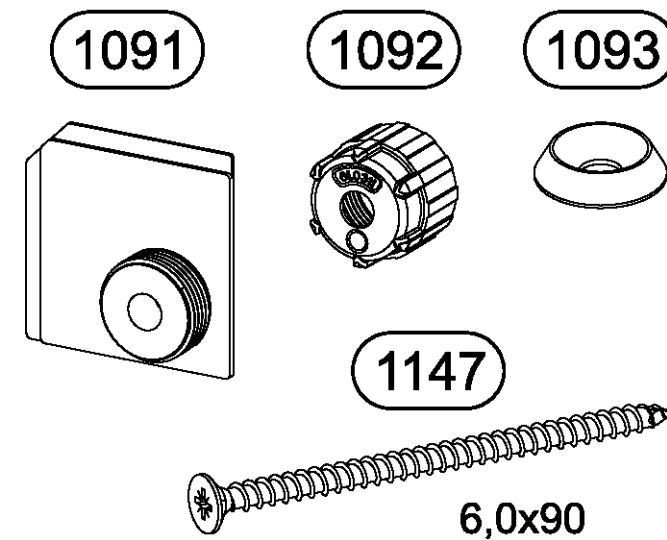
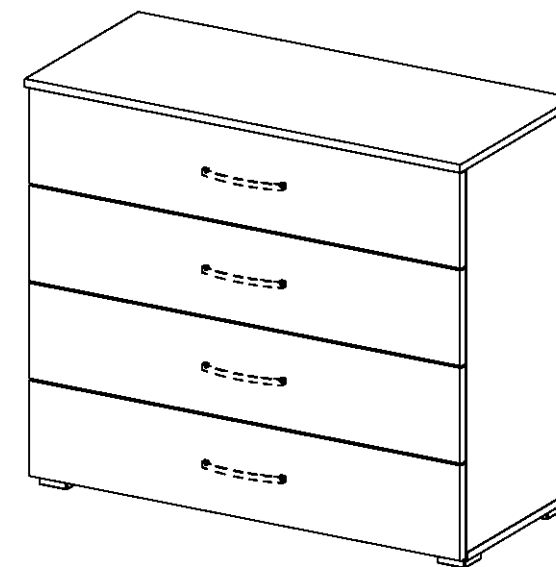
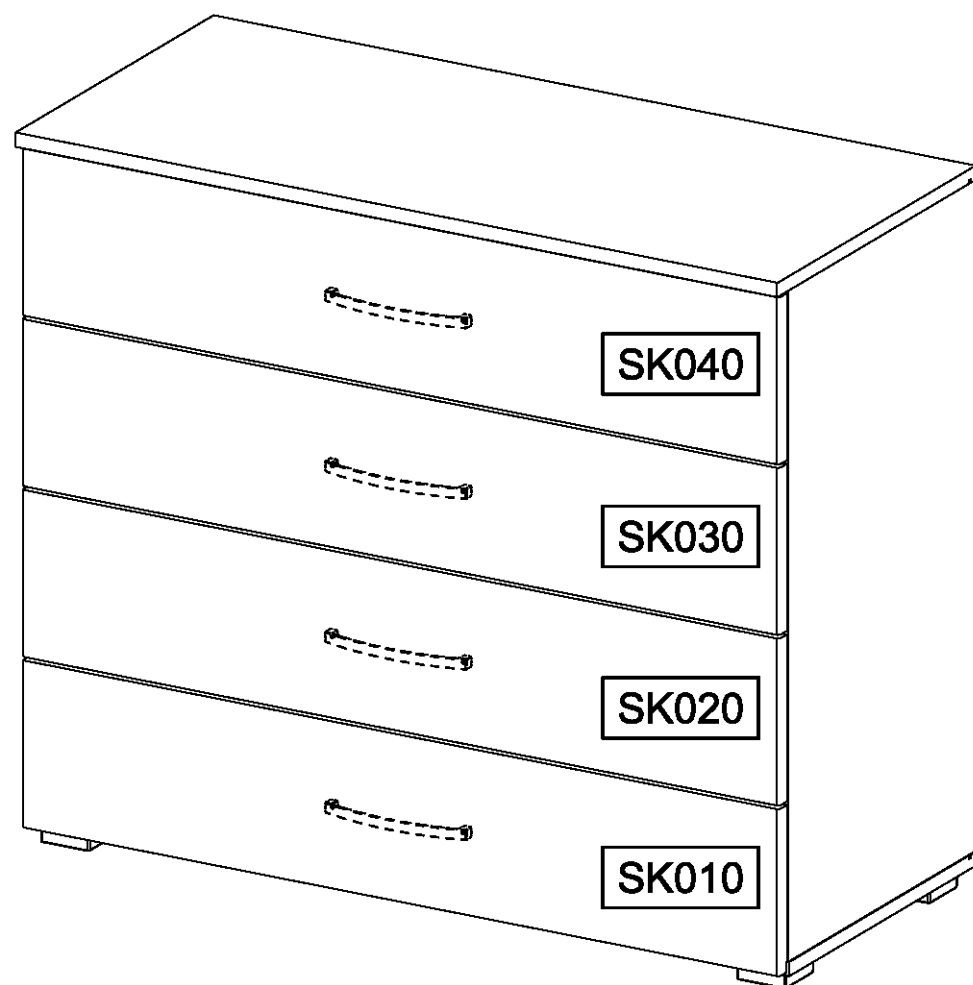
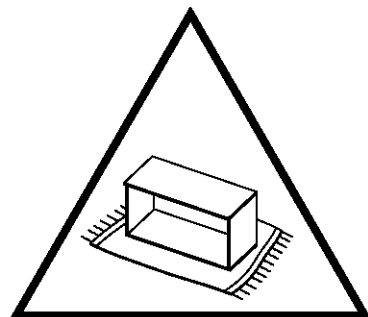
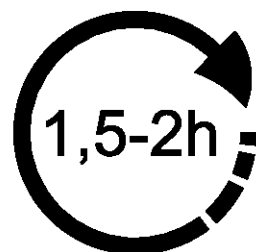
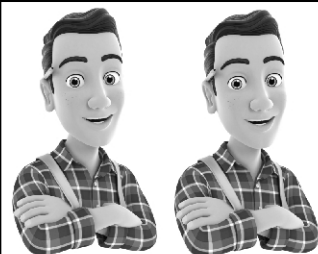
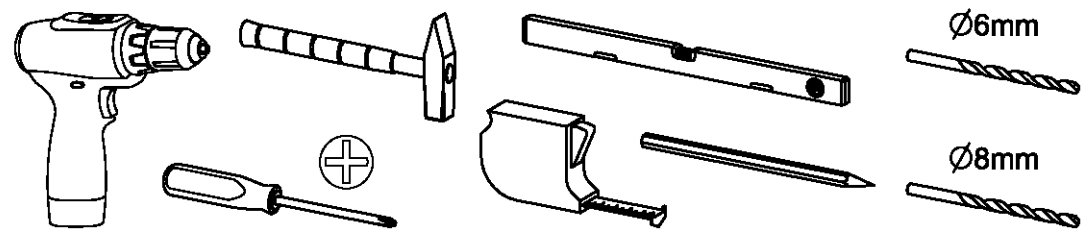
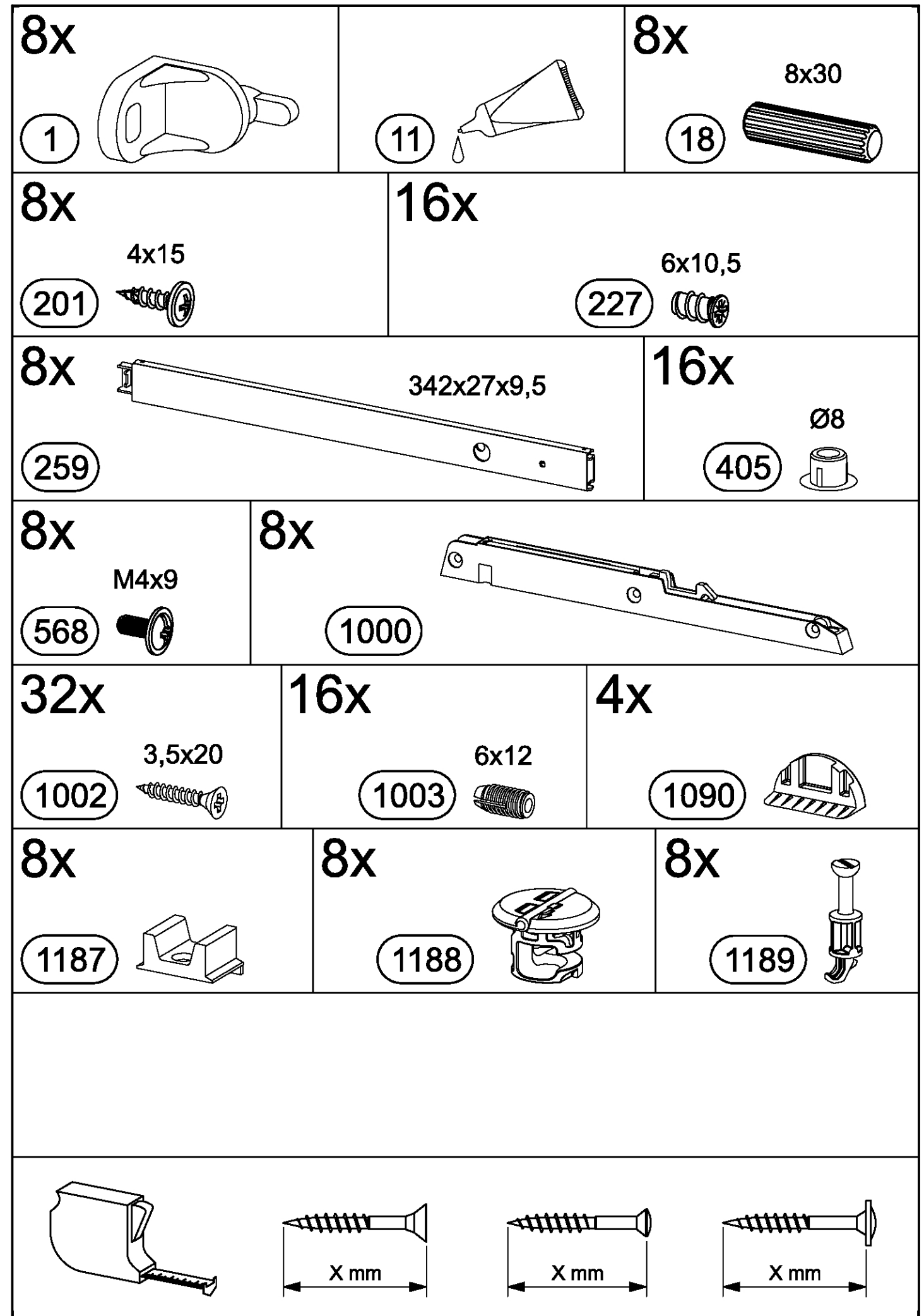
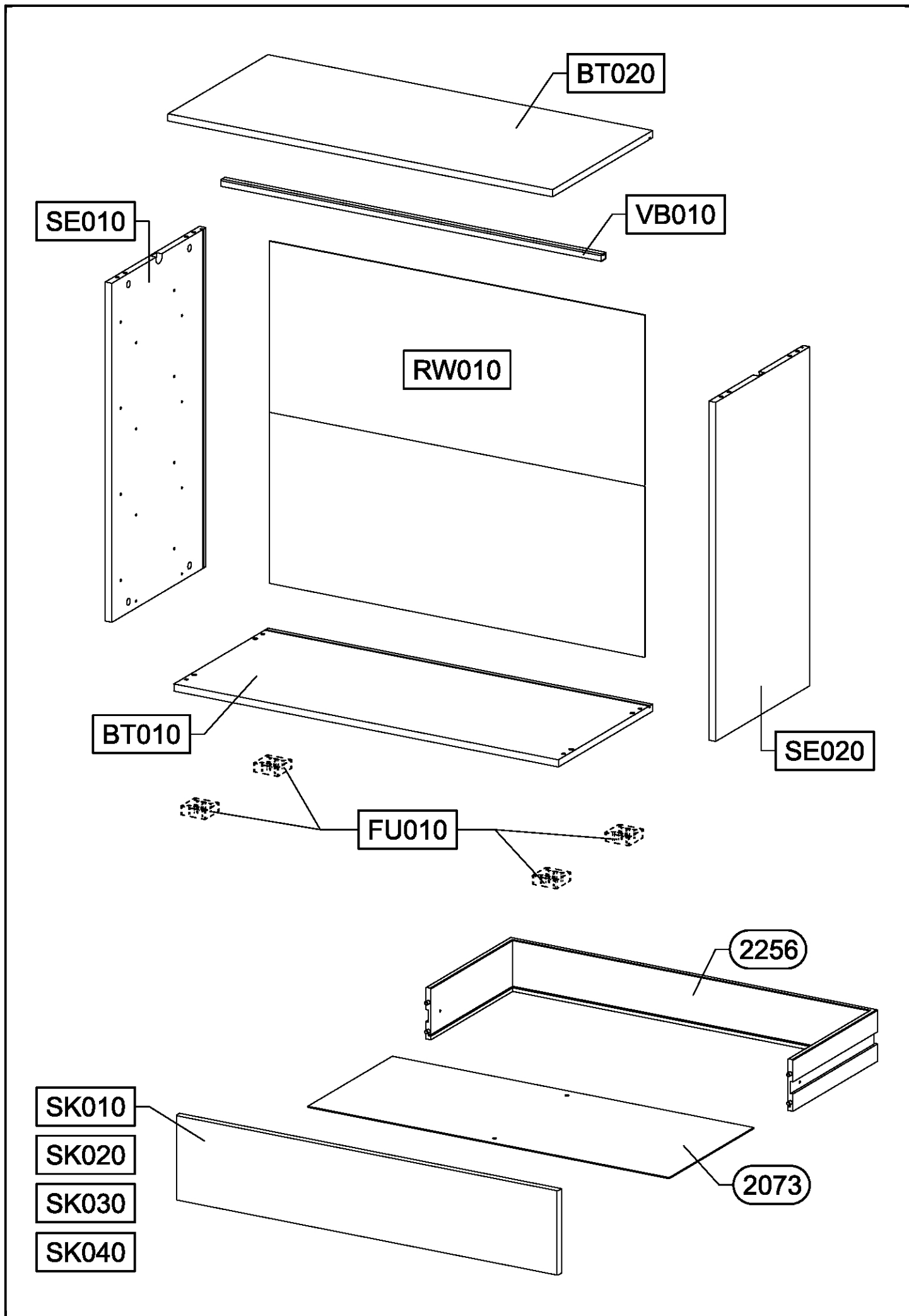
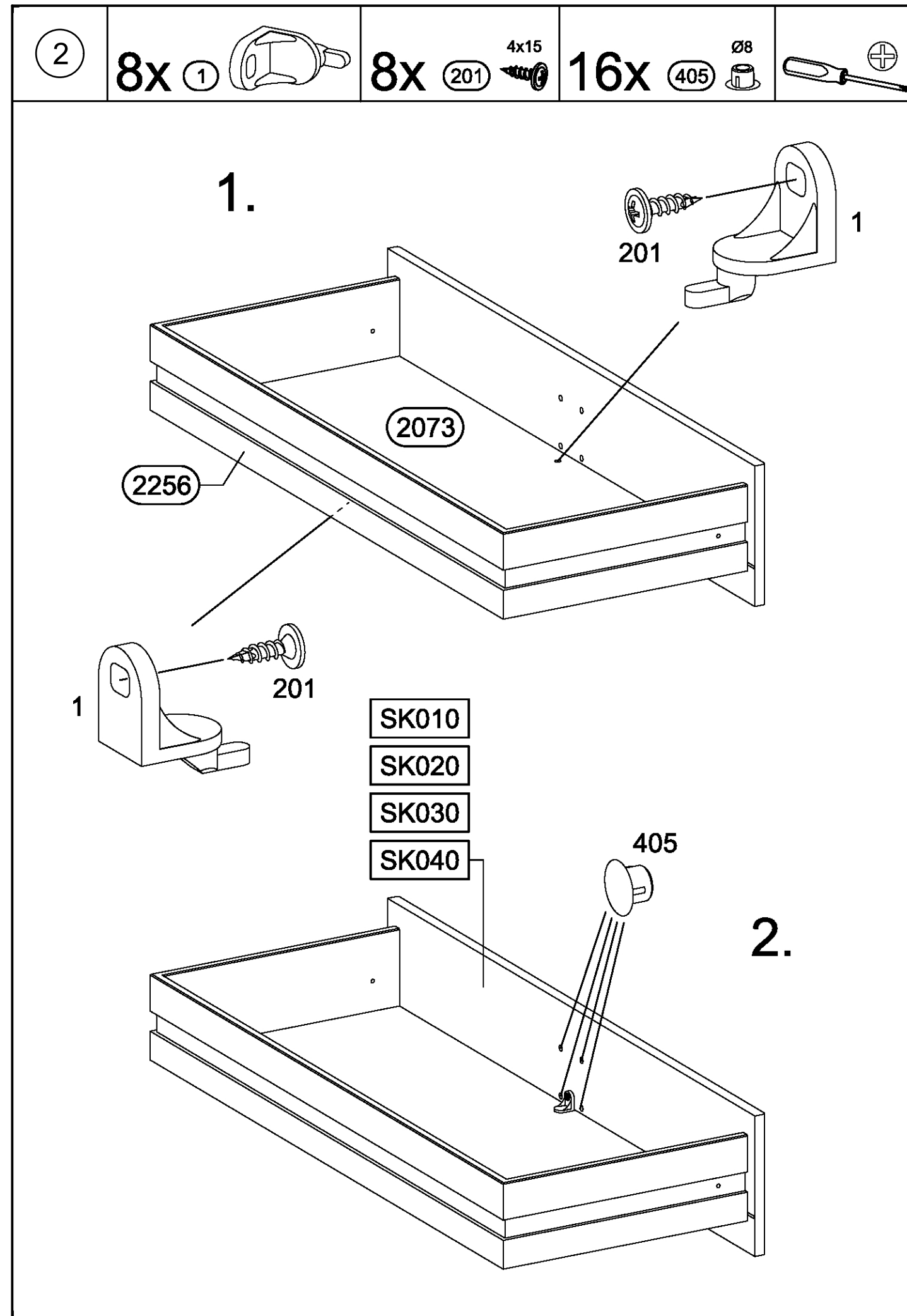
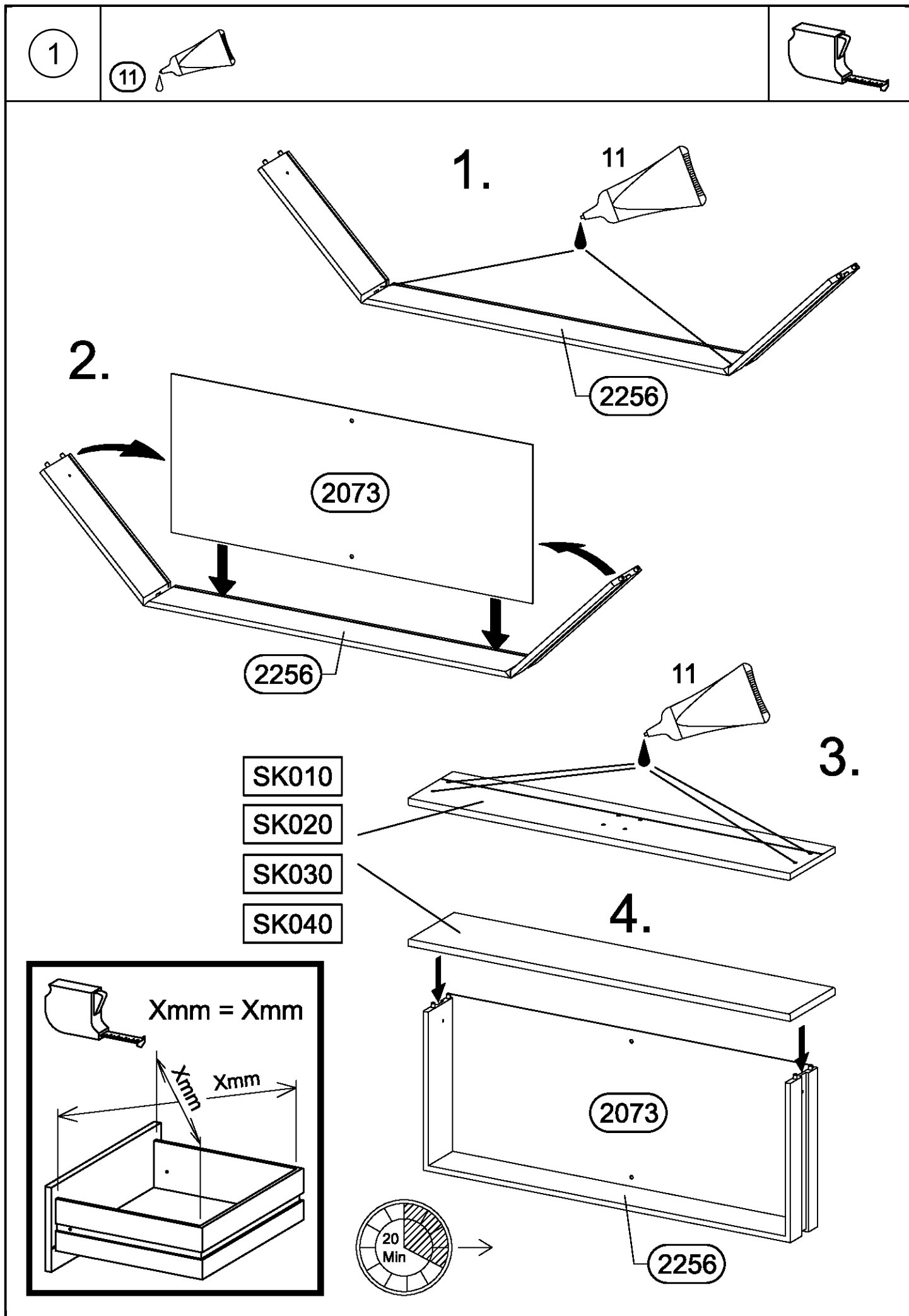


M2611_01

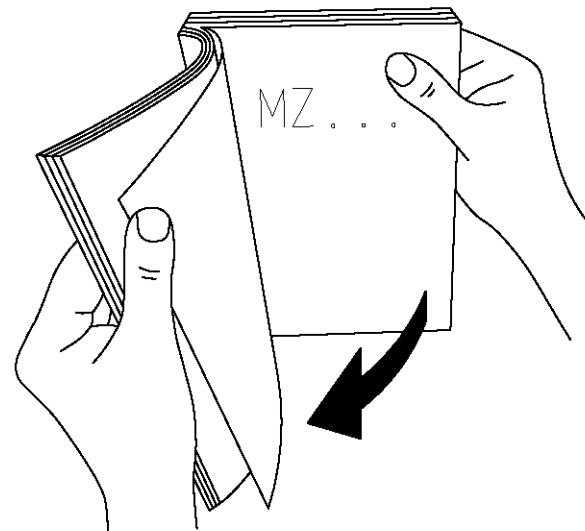
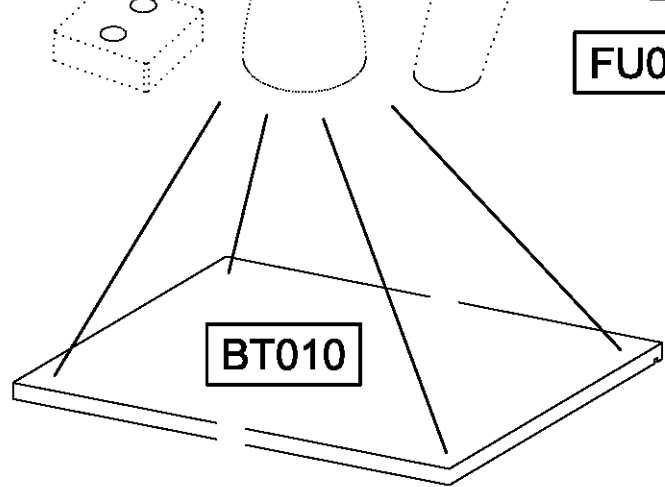
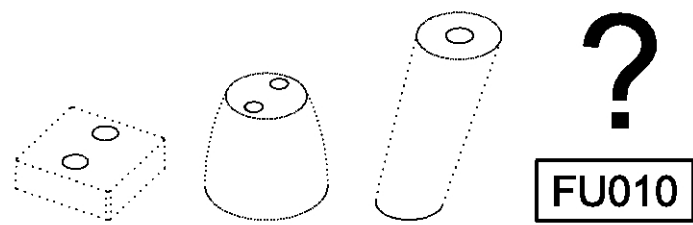
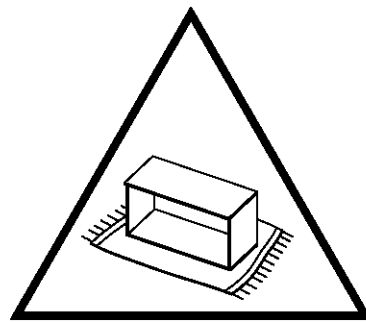
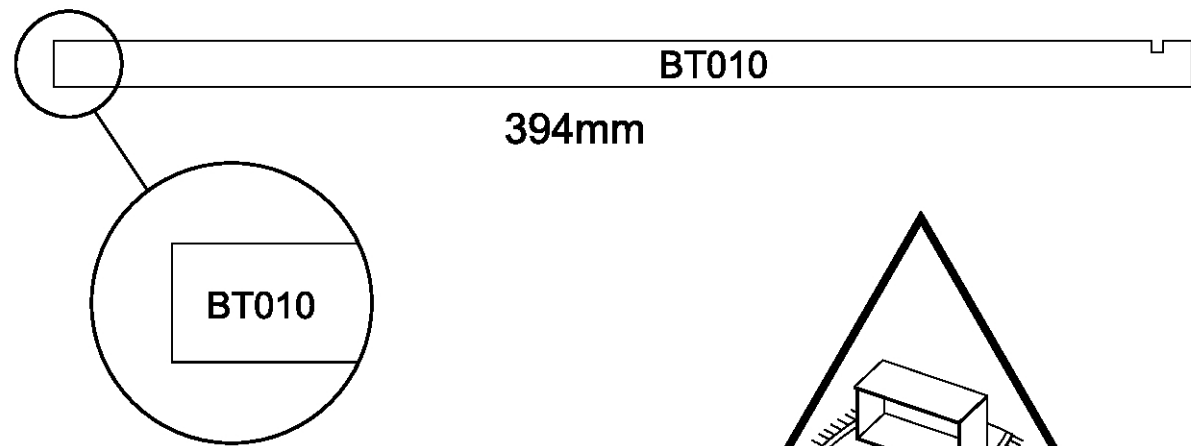
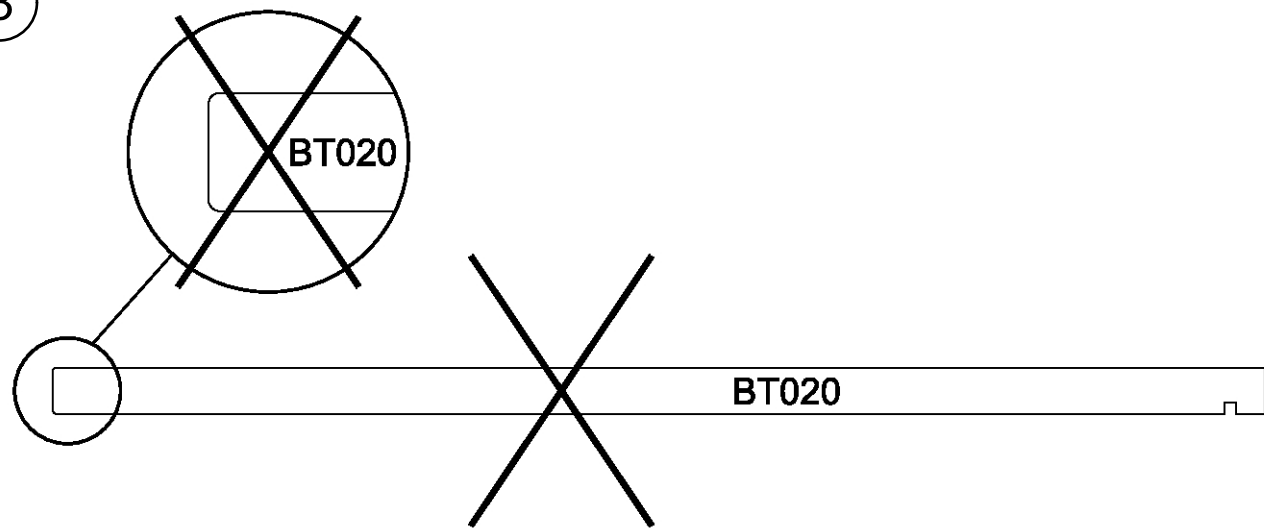
rauch





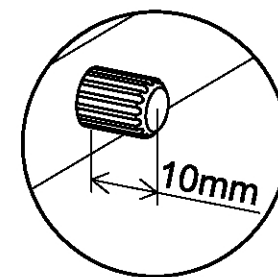
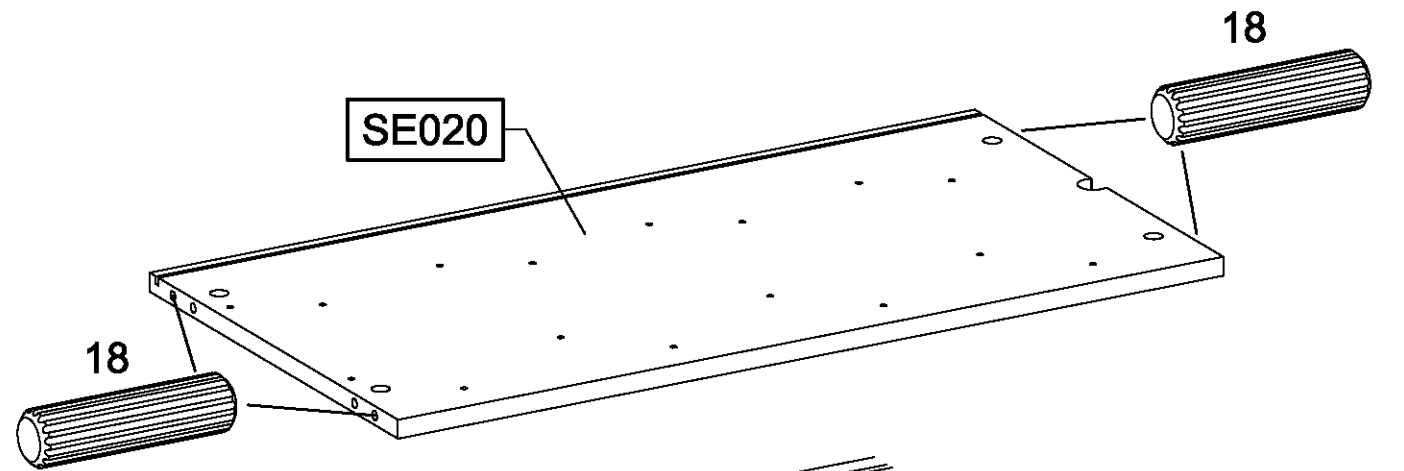
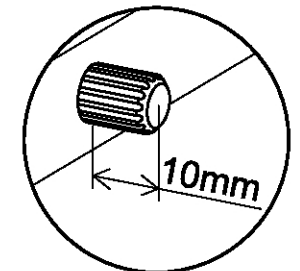
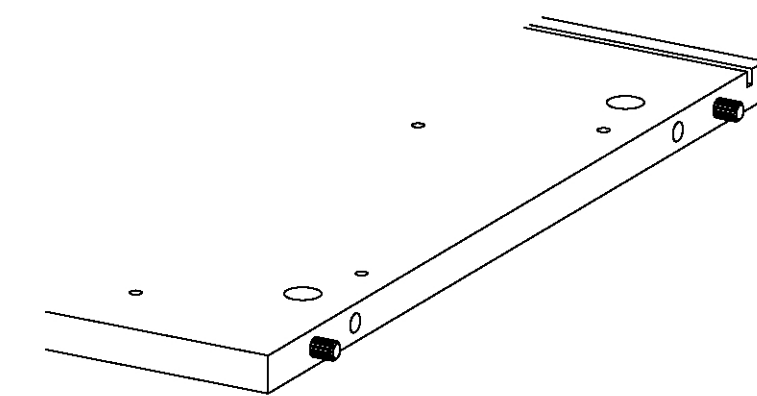
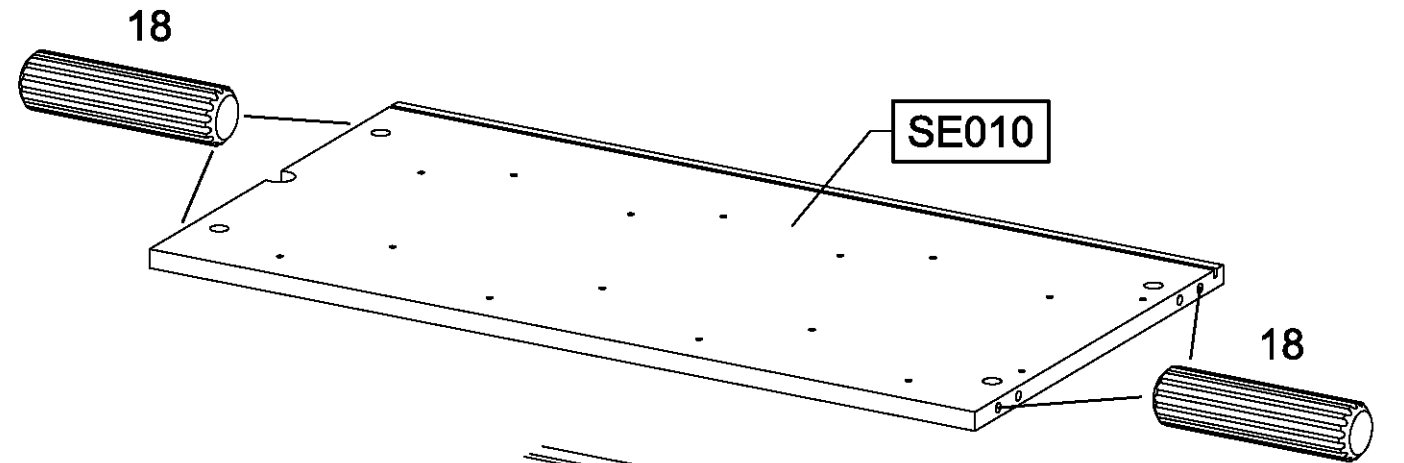
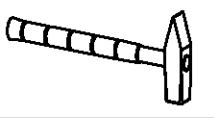


3



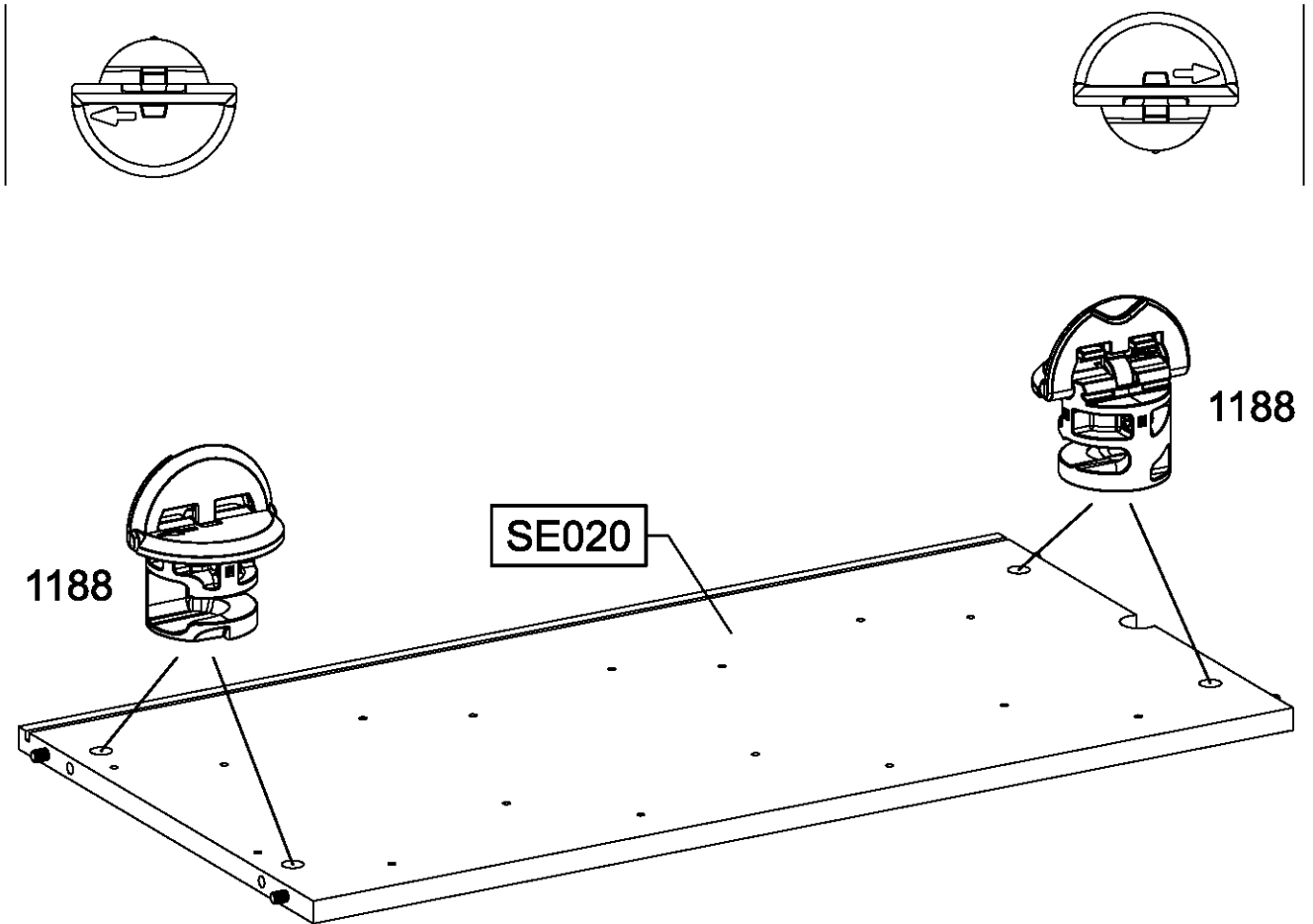
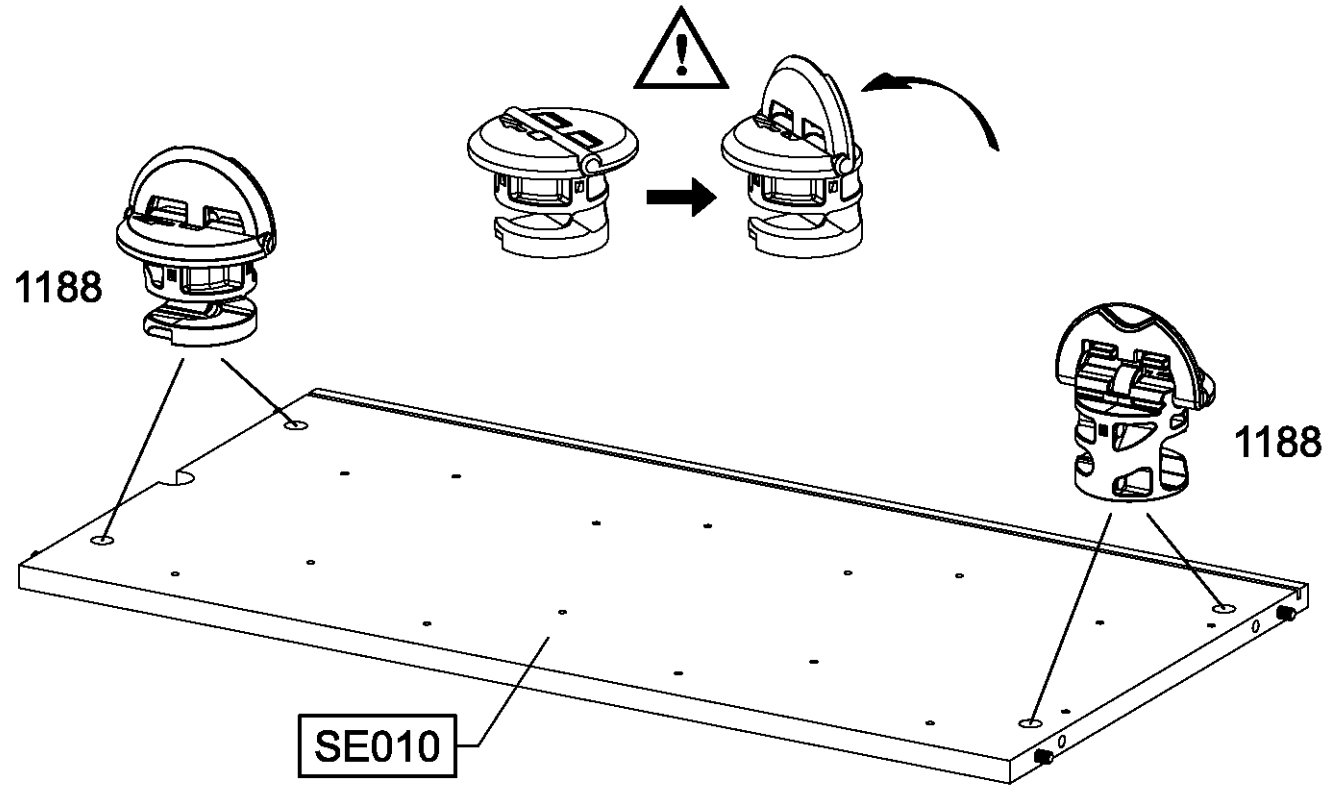
4

8x 18 8x30



5

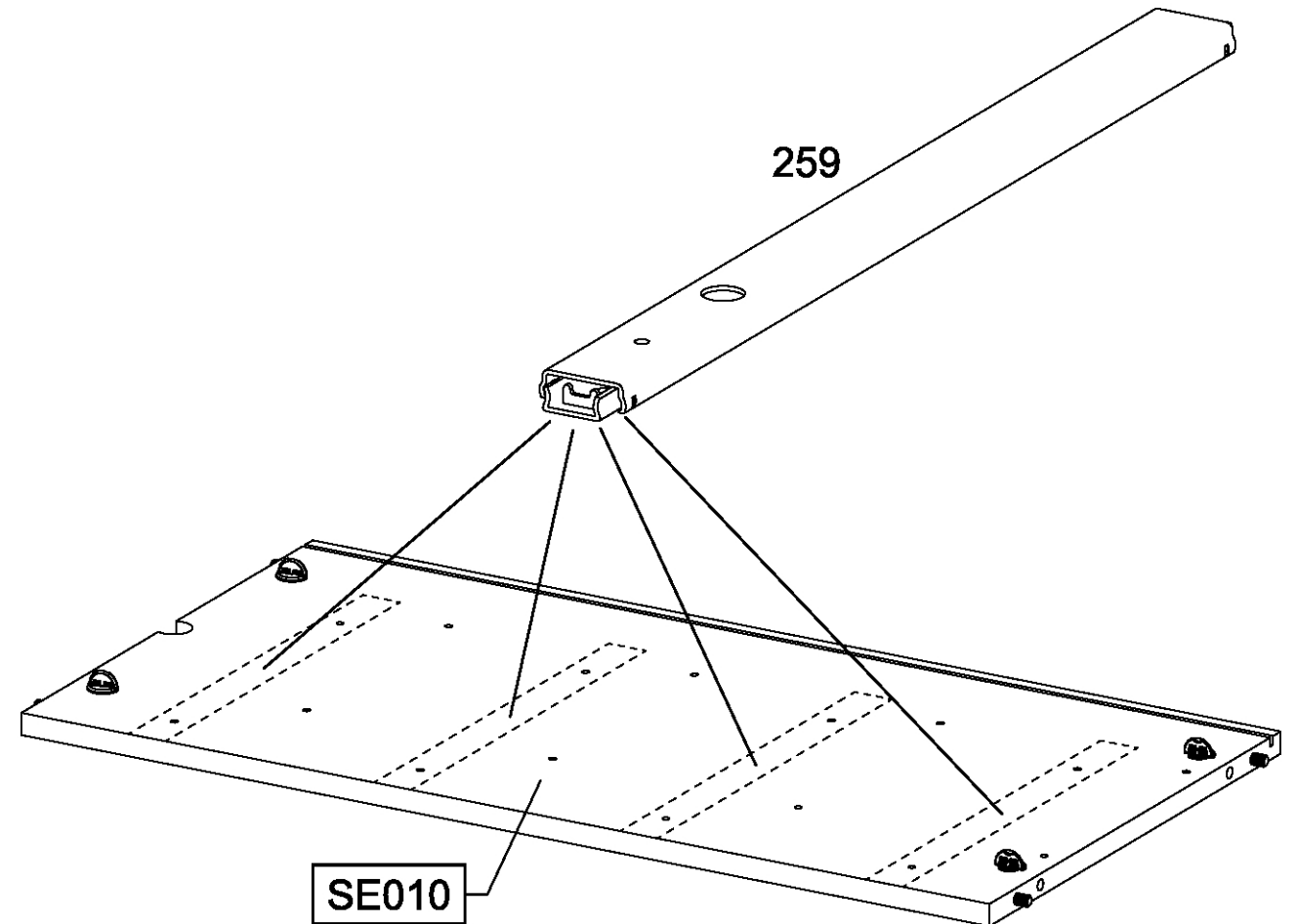
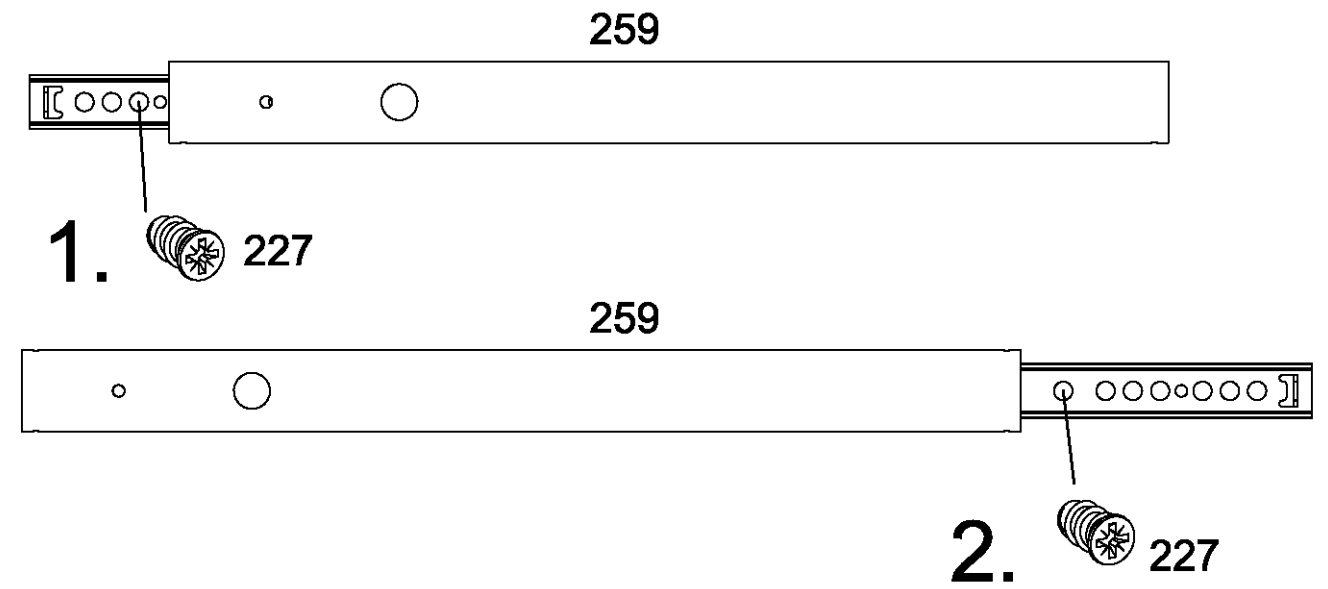
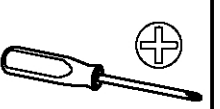
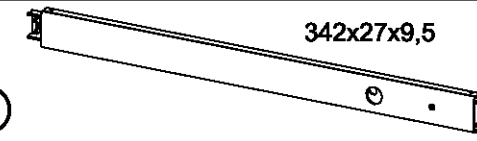
8x 1188



6

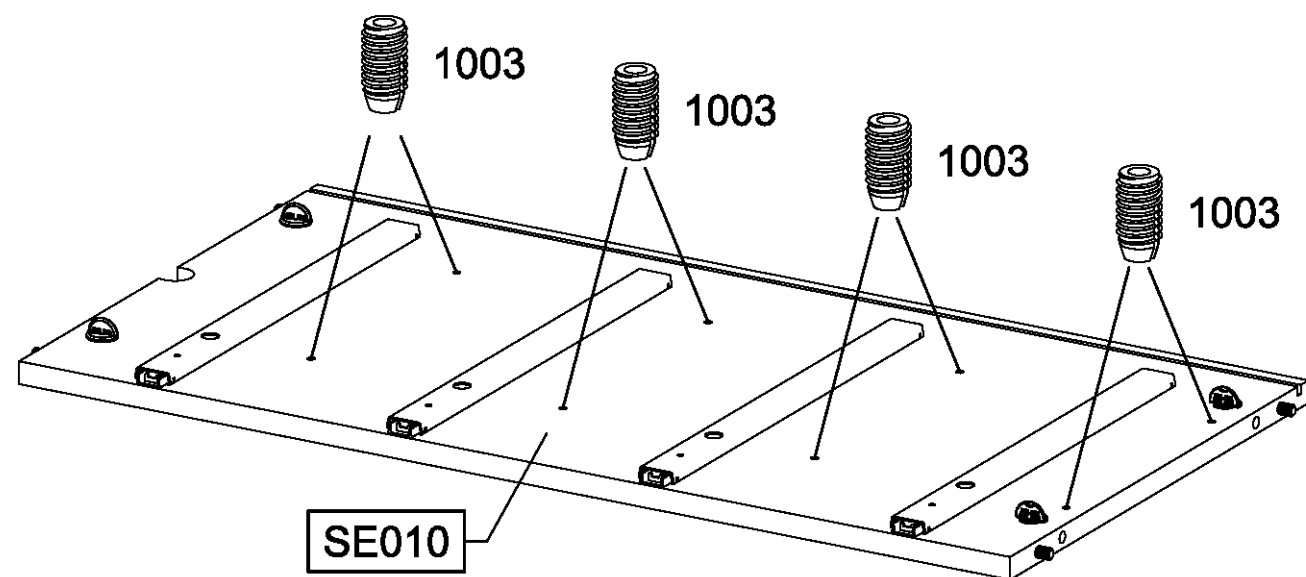
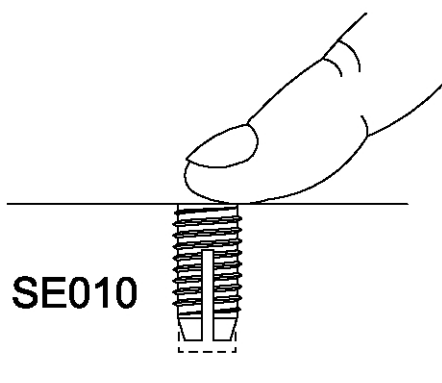
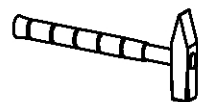
8x 227 6x10,5

4x 259



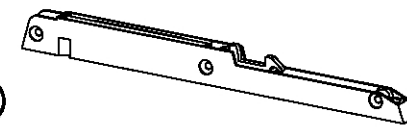
7

8x 1003 6x12

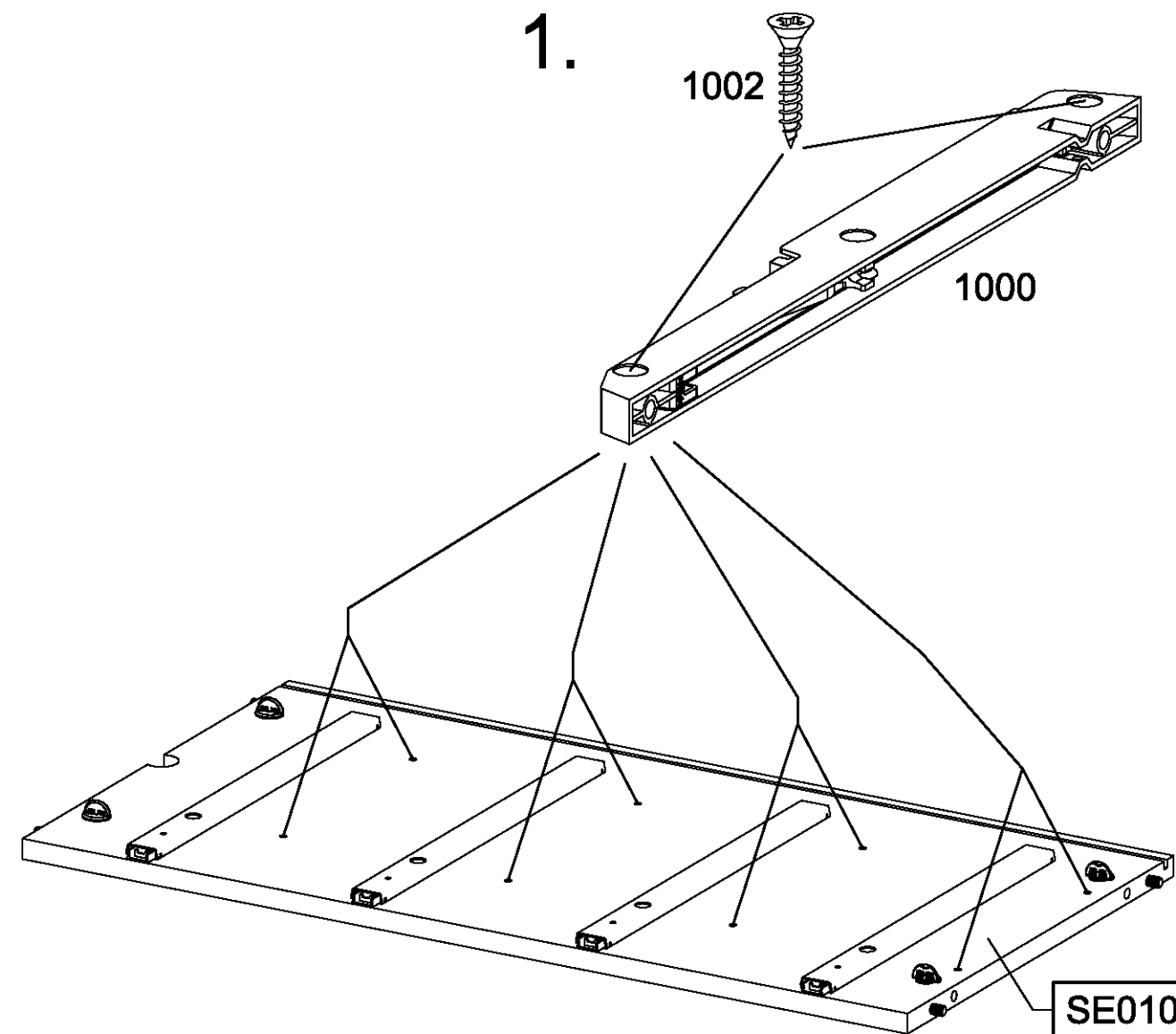
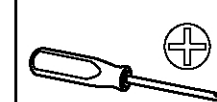


8

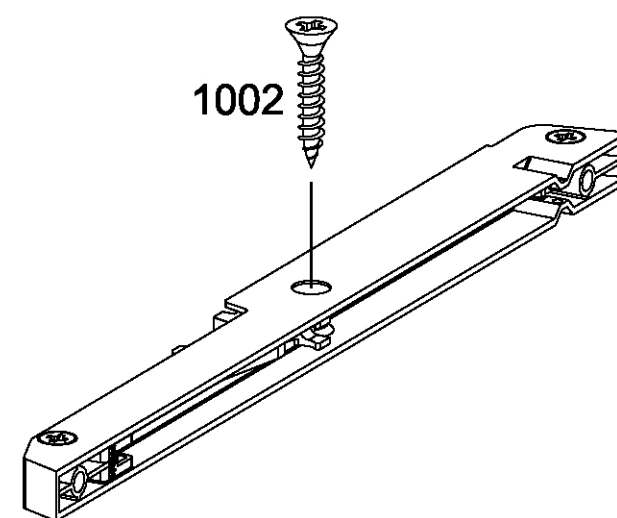
4x 1000



12x 1002 3,5x20



2.



9

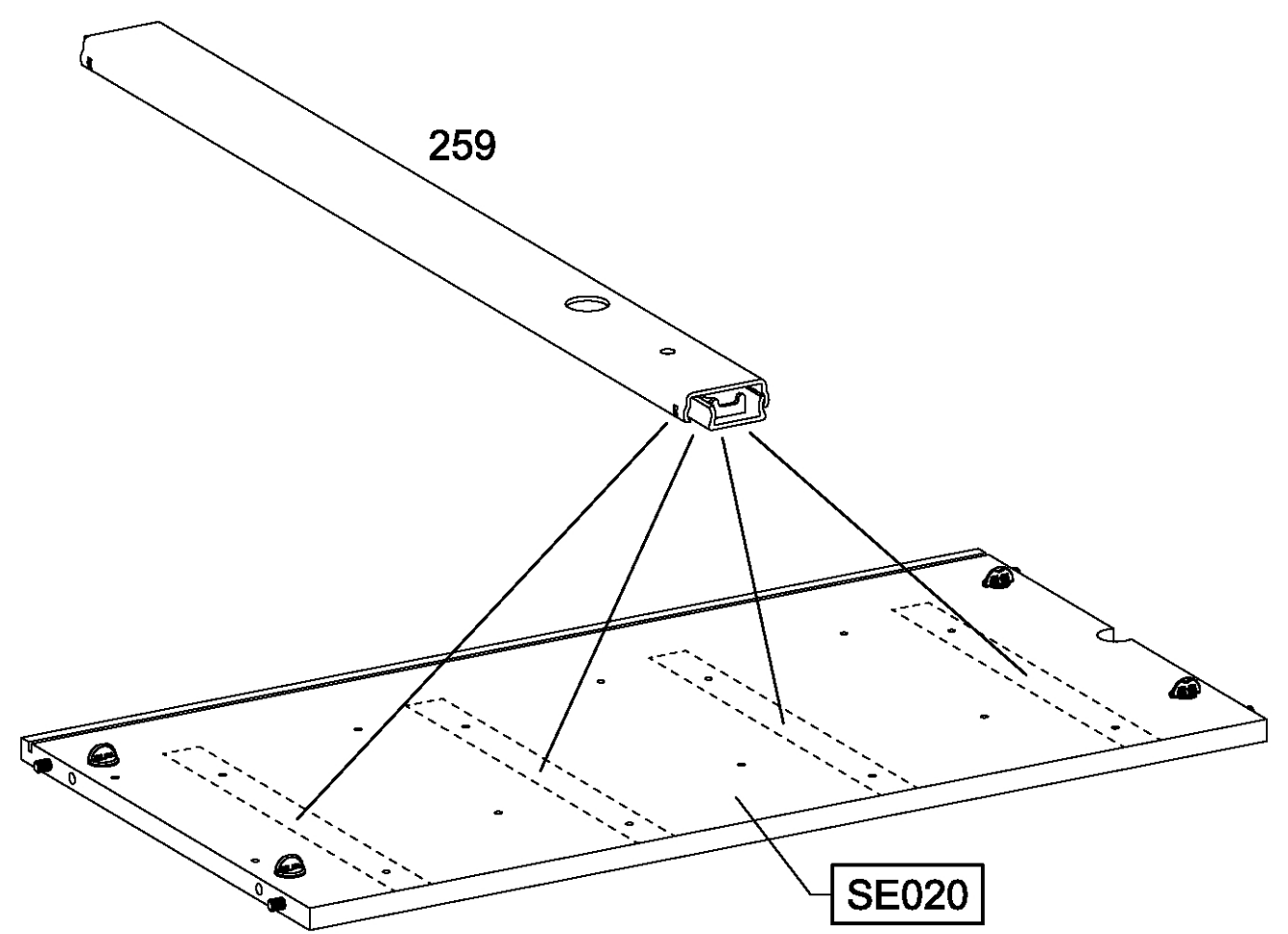
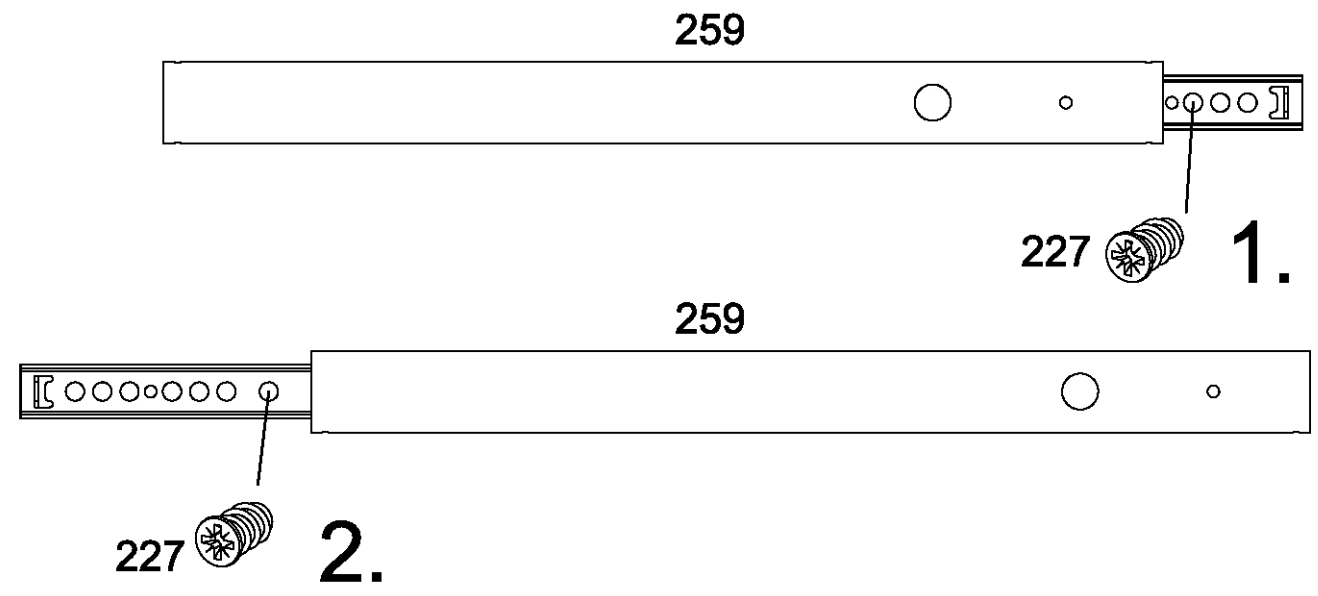
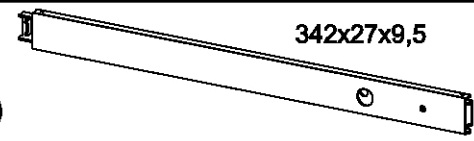
8x

227

6x10,5

4x

259

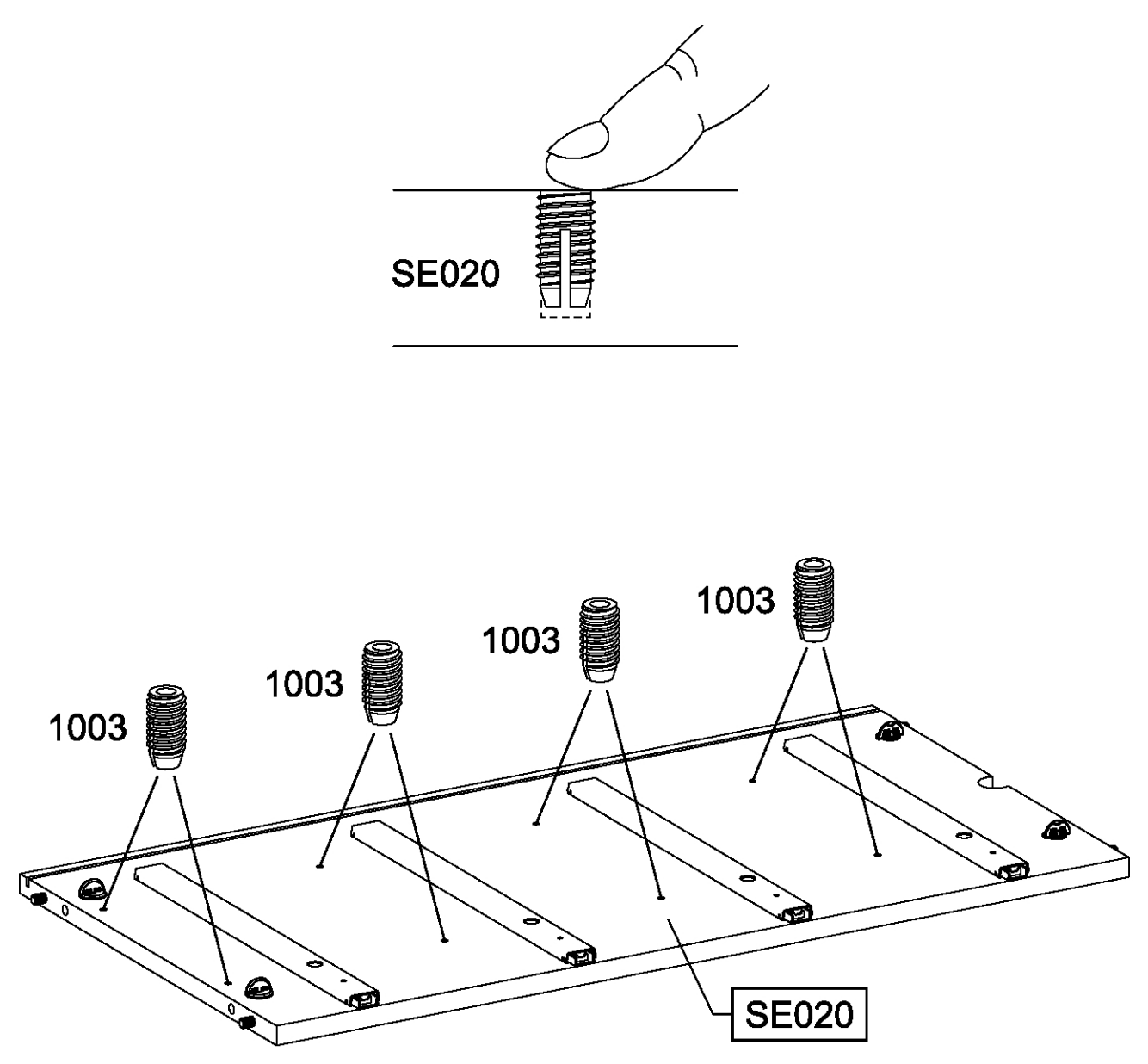
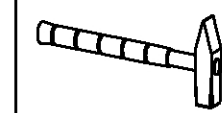


10

8x

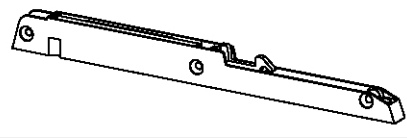
1003

6x12

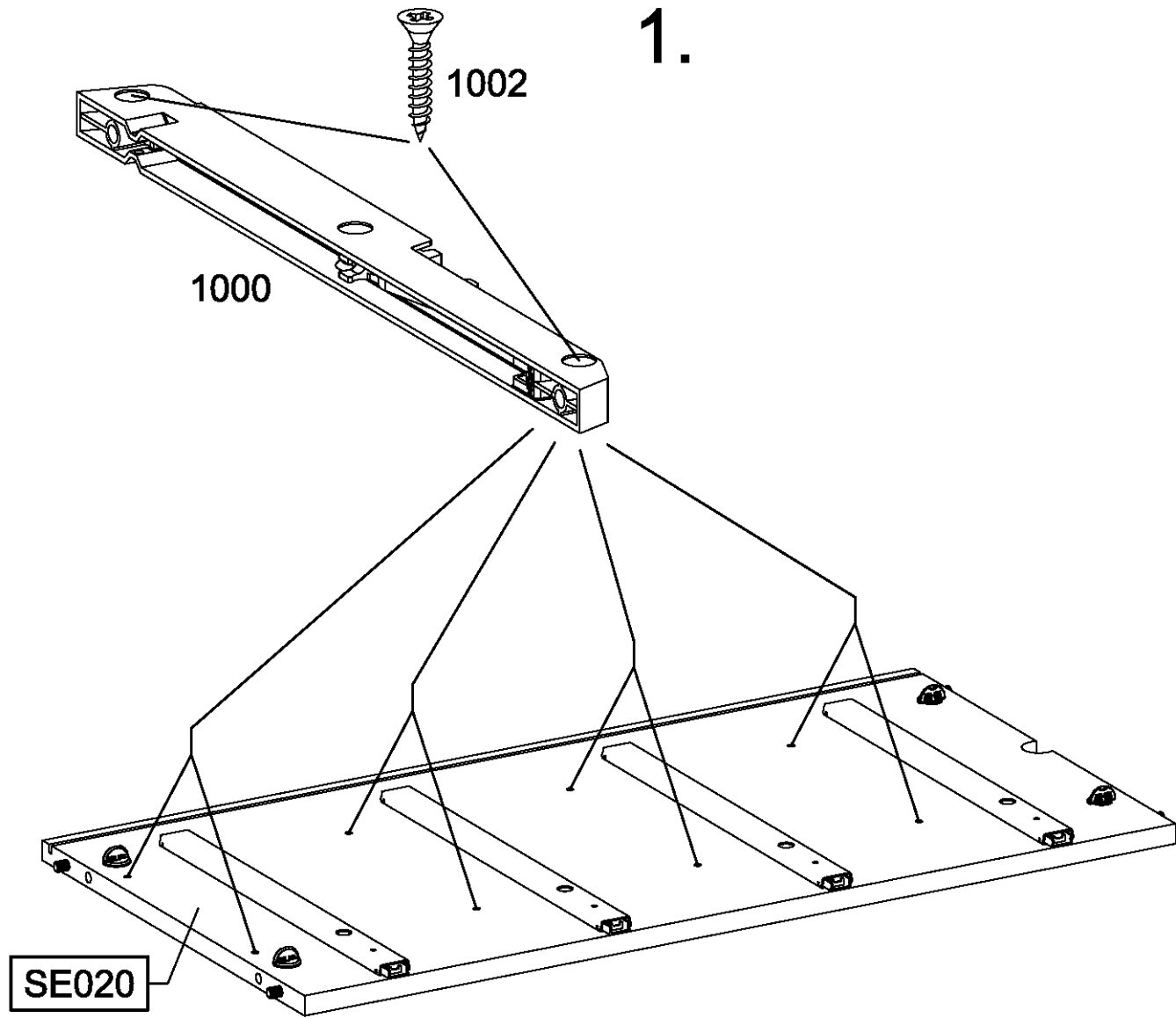
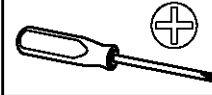
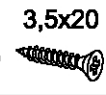


11

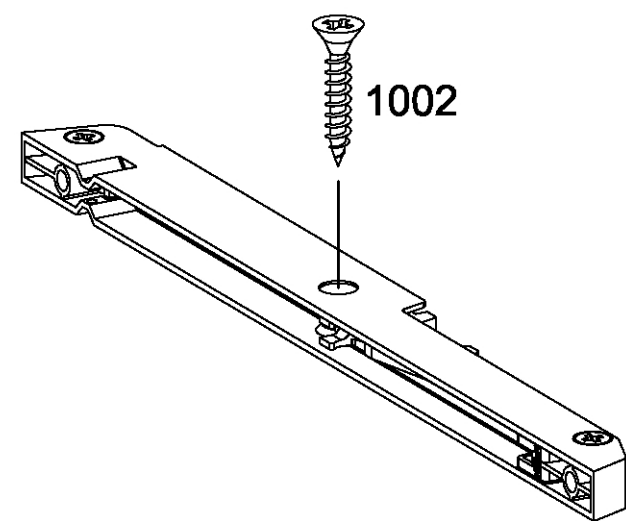
4x 1000



12x 1002

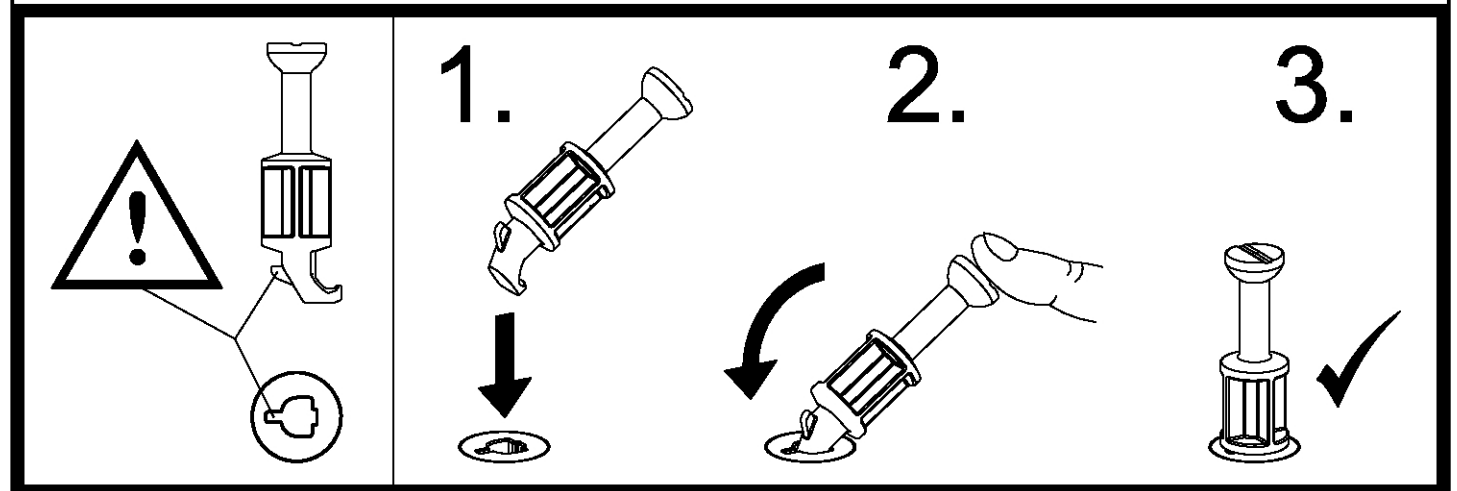
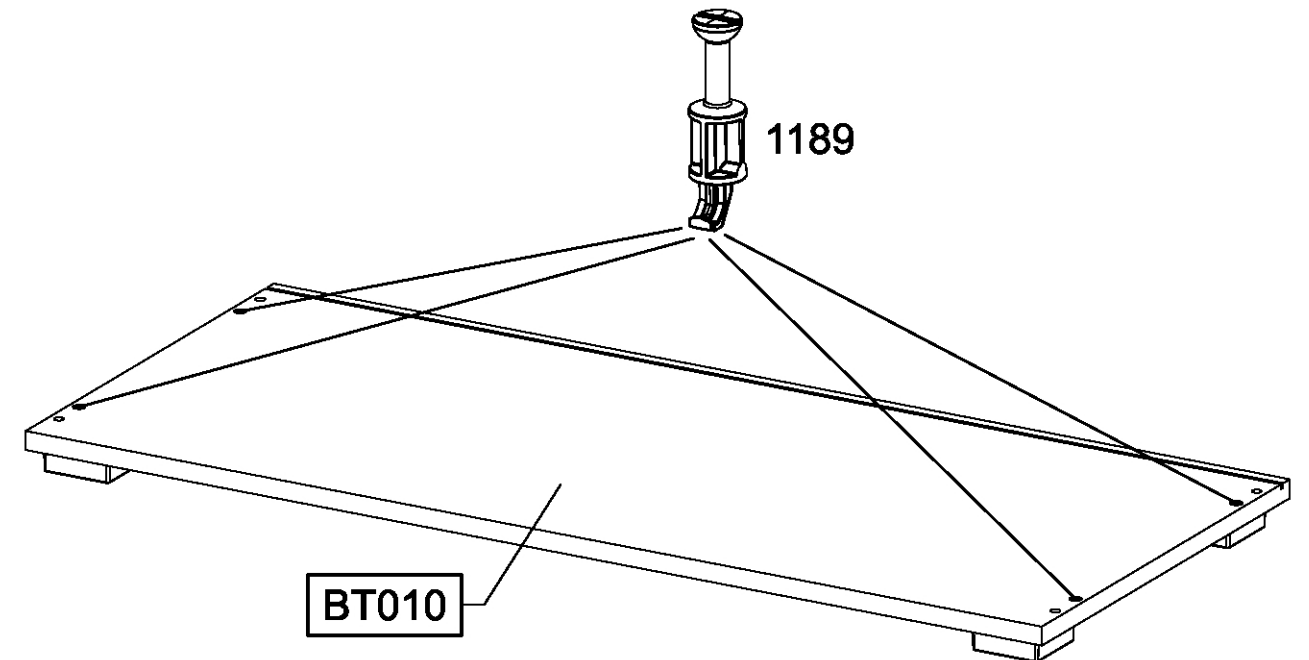


2.

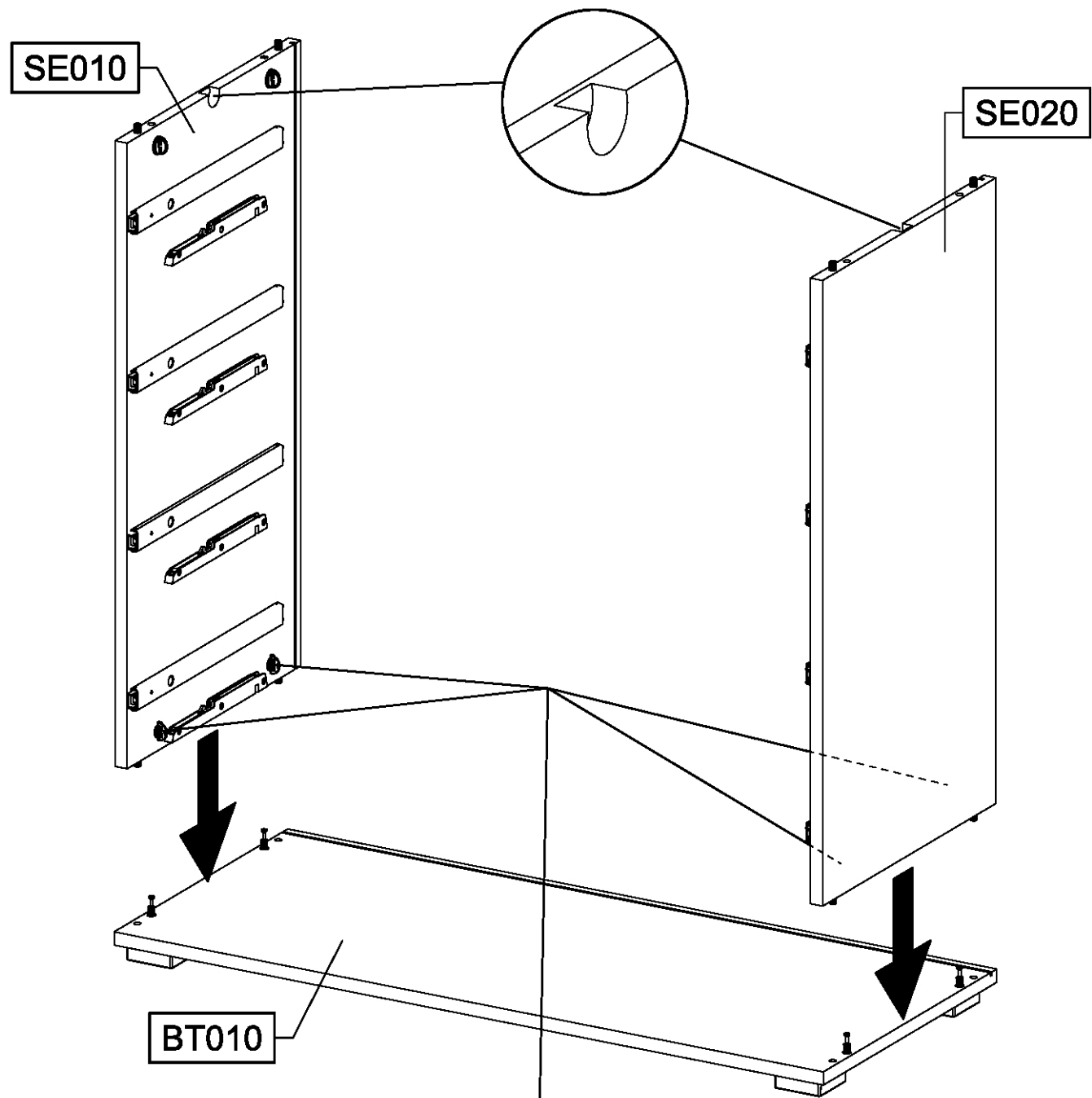


12

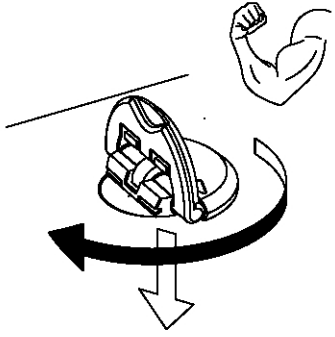
4x 1189



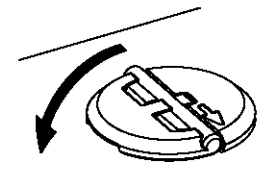
13



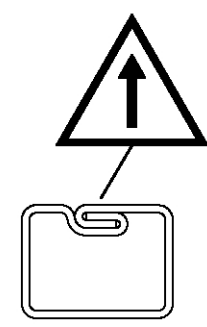
1.



2.



14

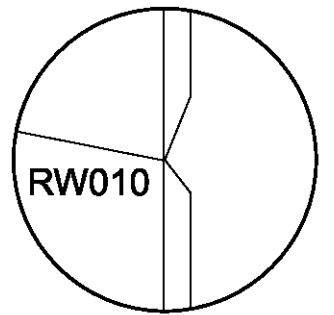


SE010

RW010

VB010

SE020

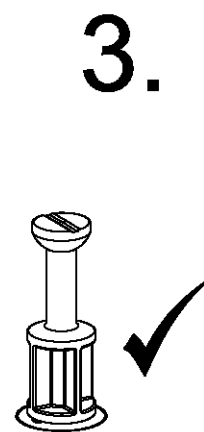
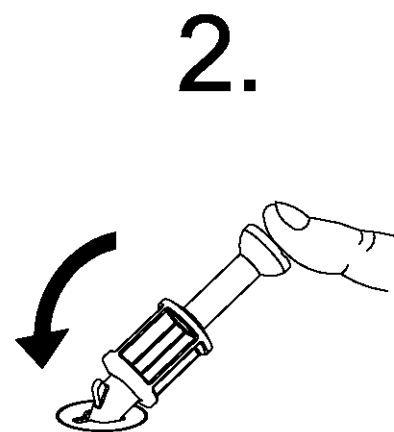
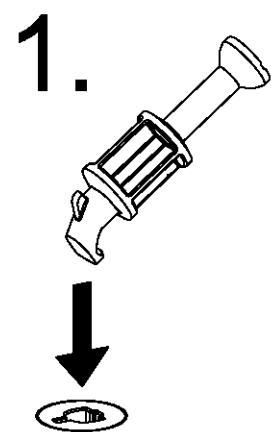
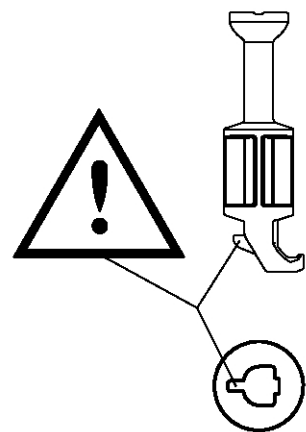
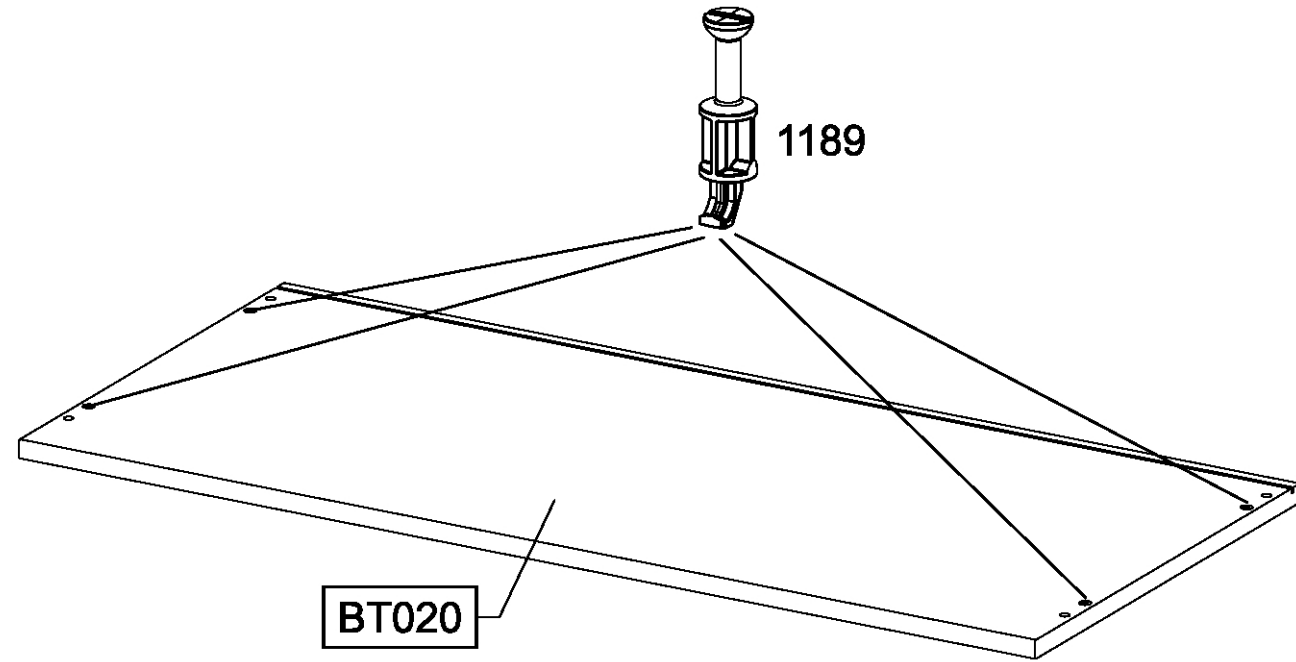


BT010

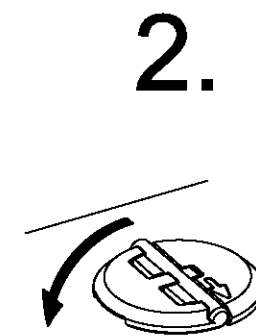
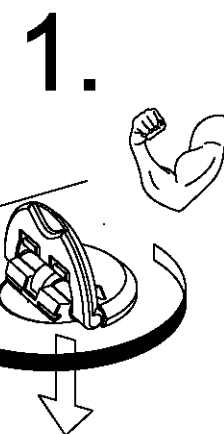
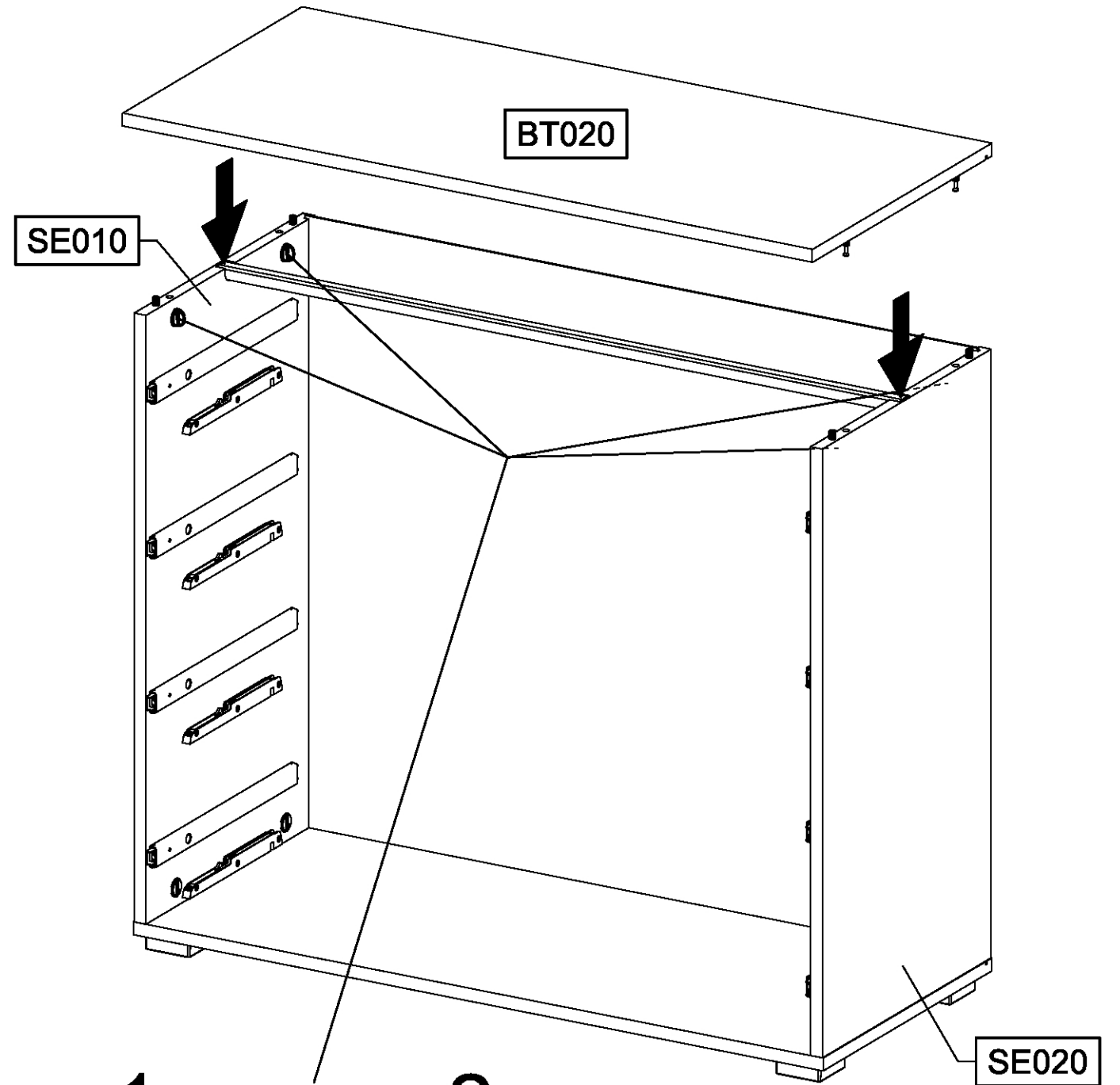
SE020

15

4x 1189



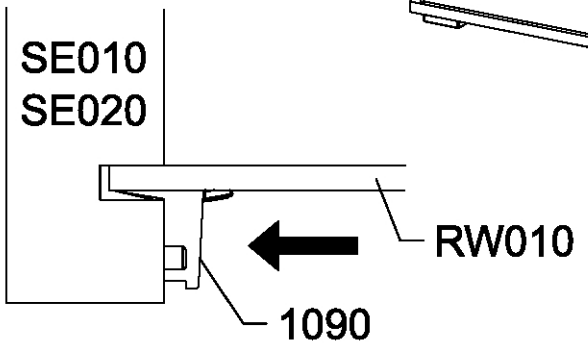
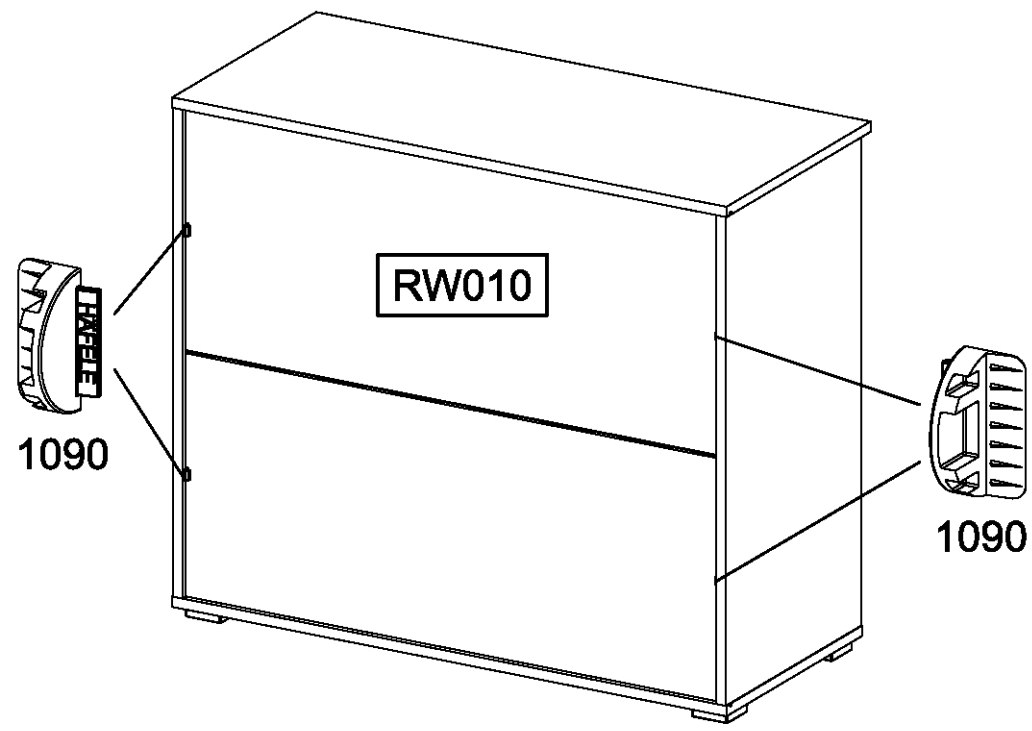
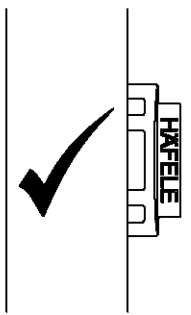
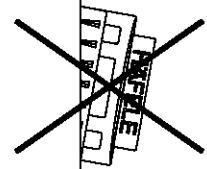
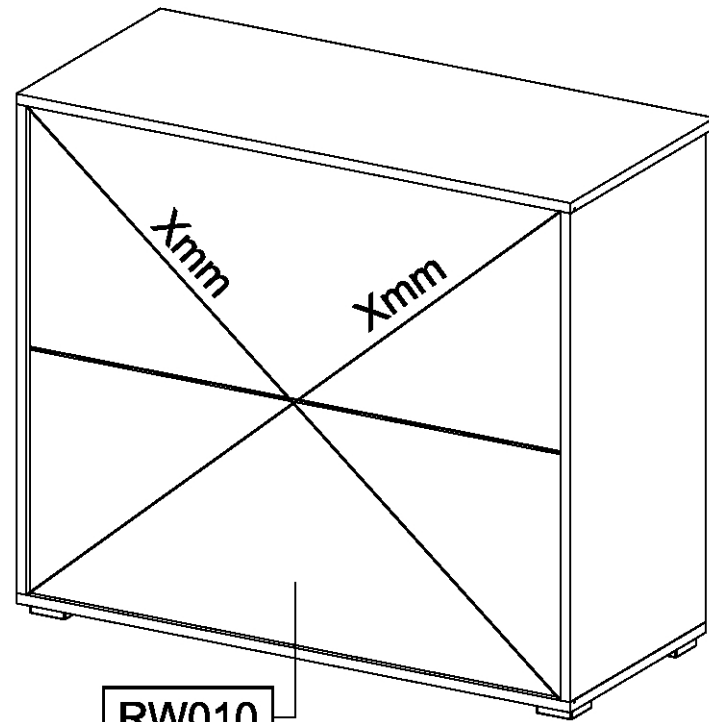
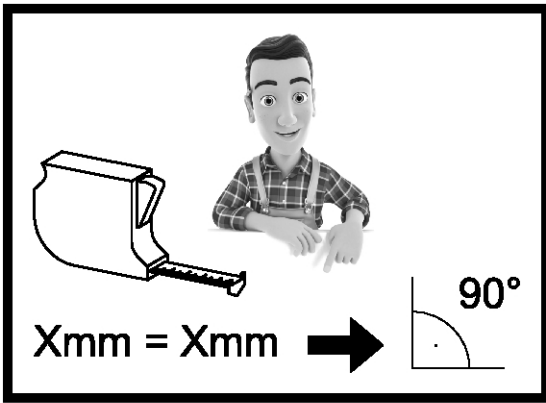
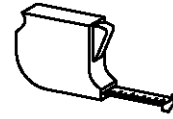
16



17

4x

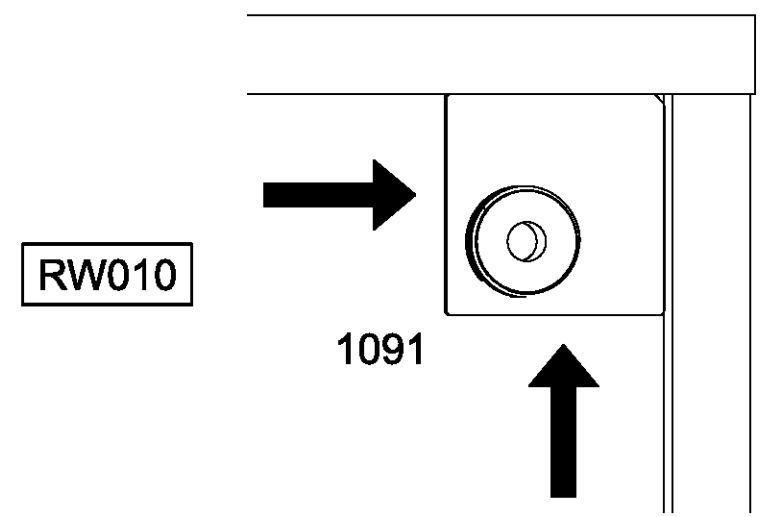
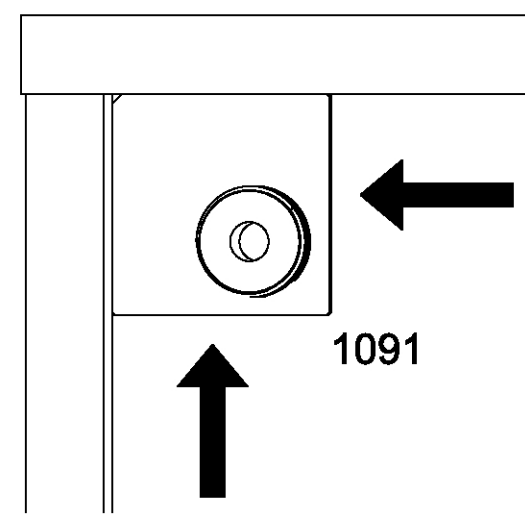
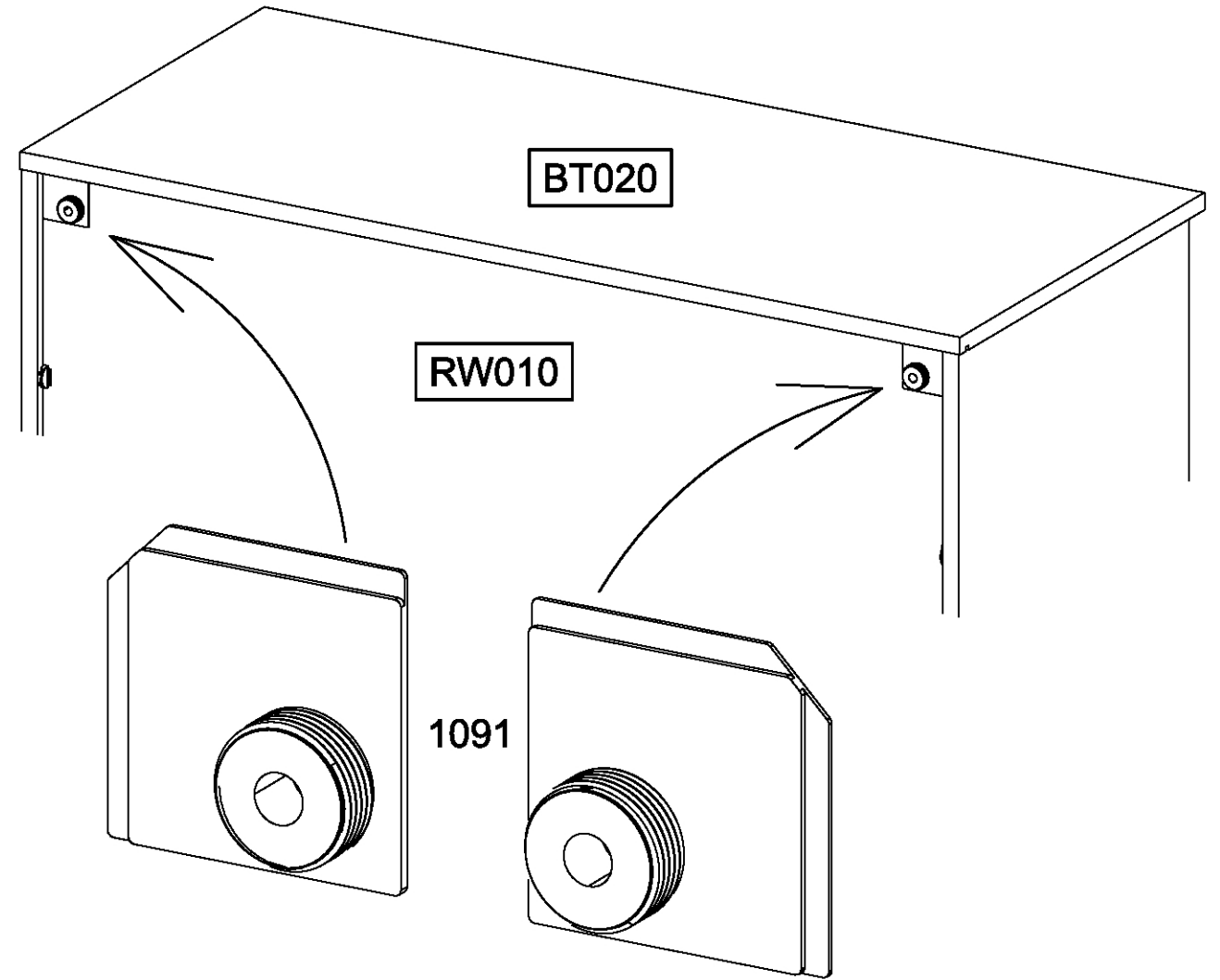
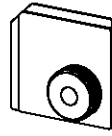
1090

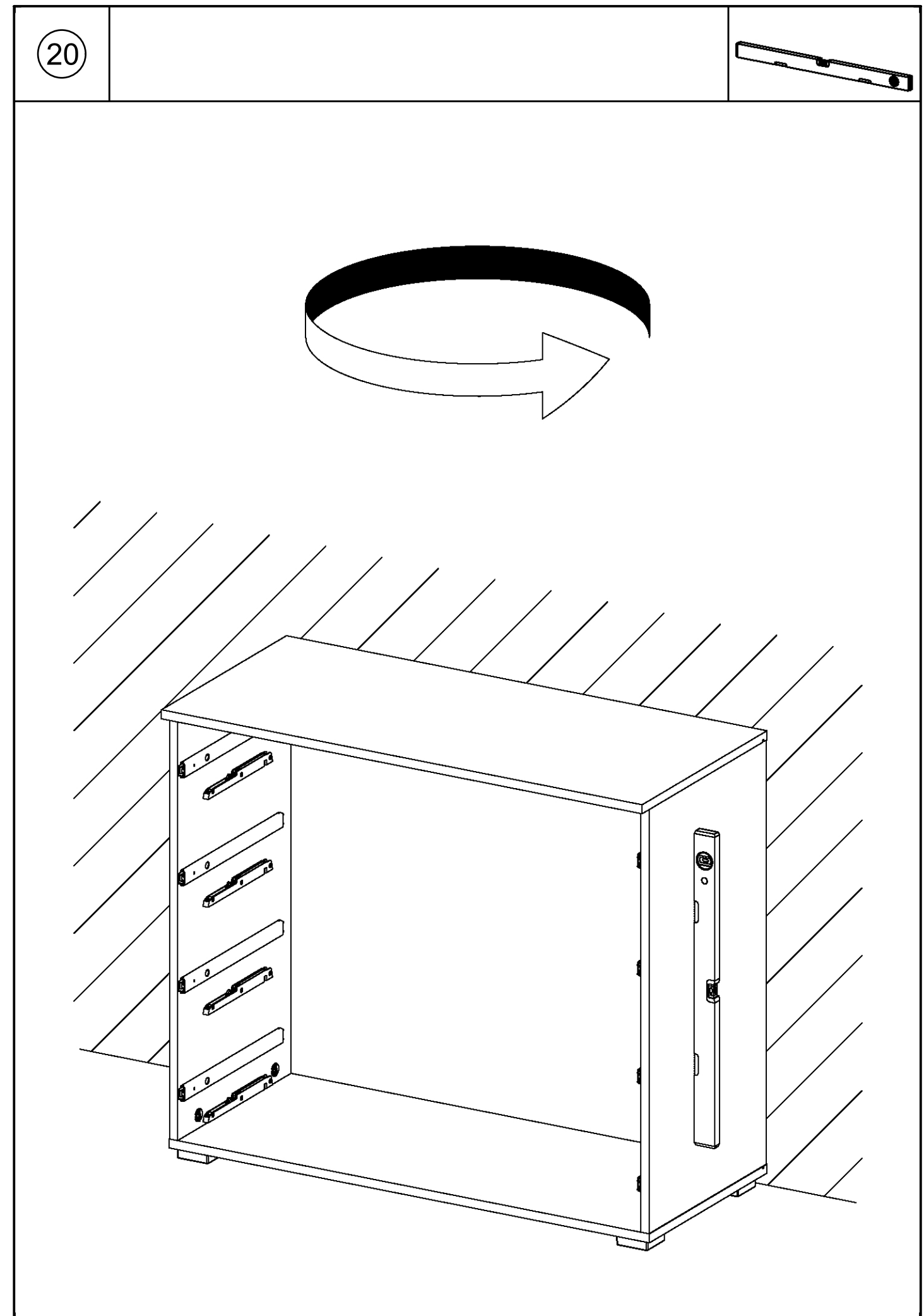
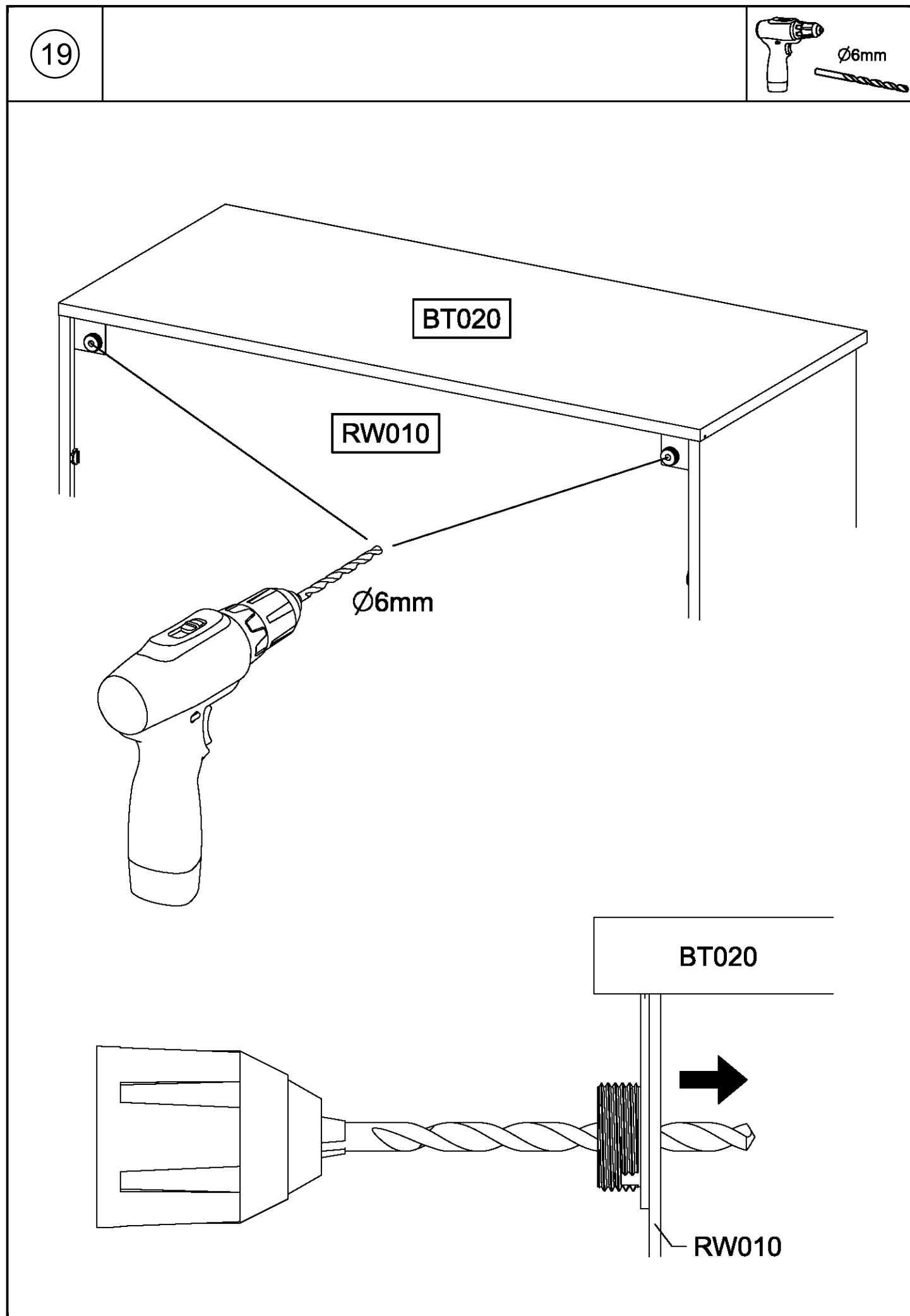


18

2x

1091





21

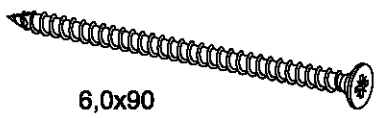
2x

1093

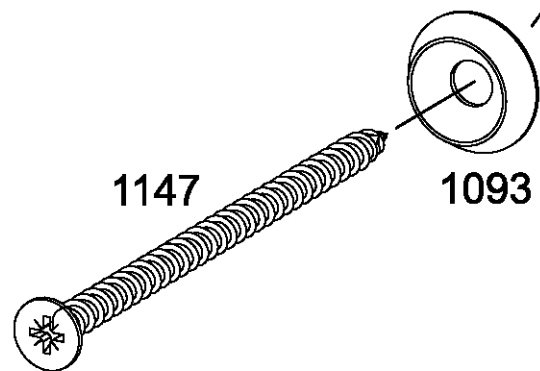
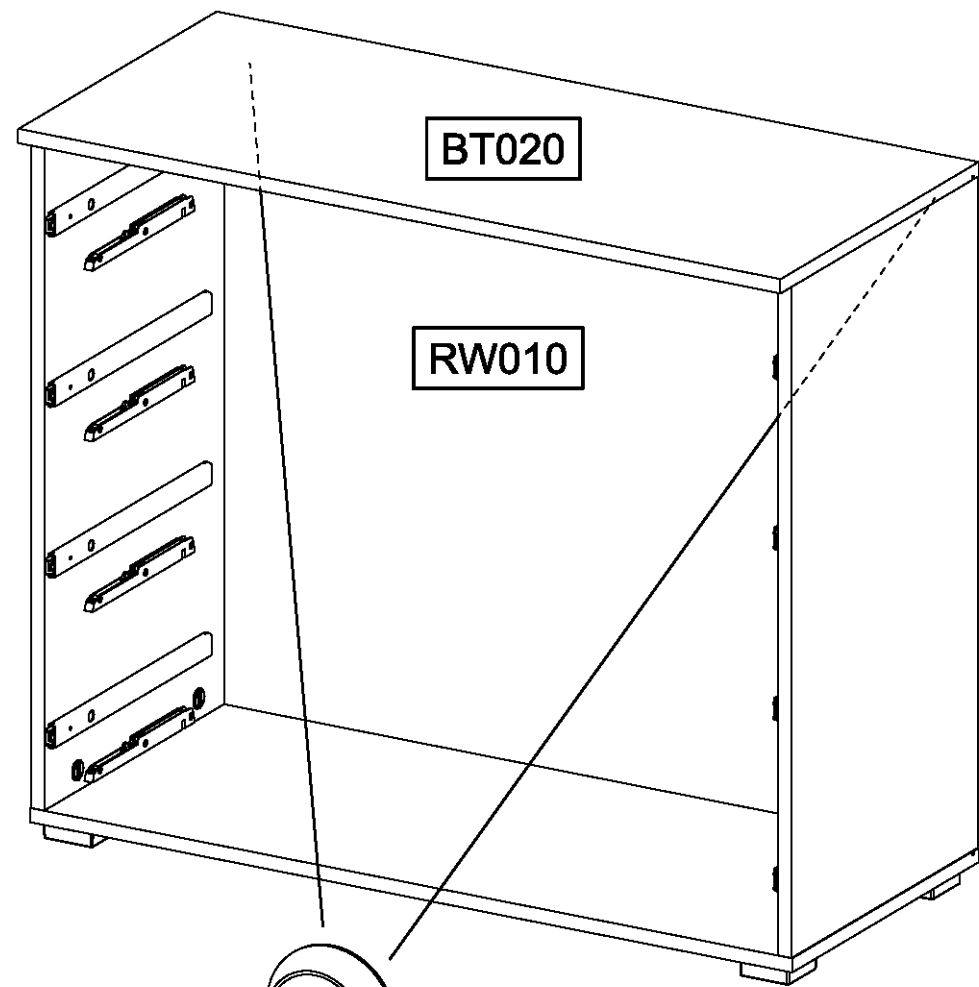


2x

1147

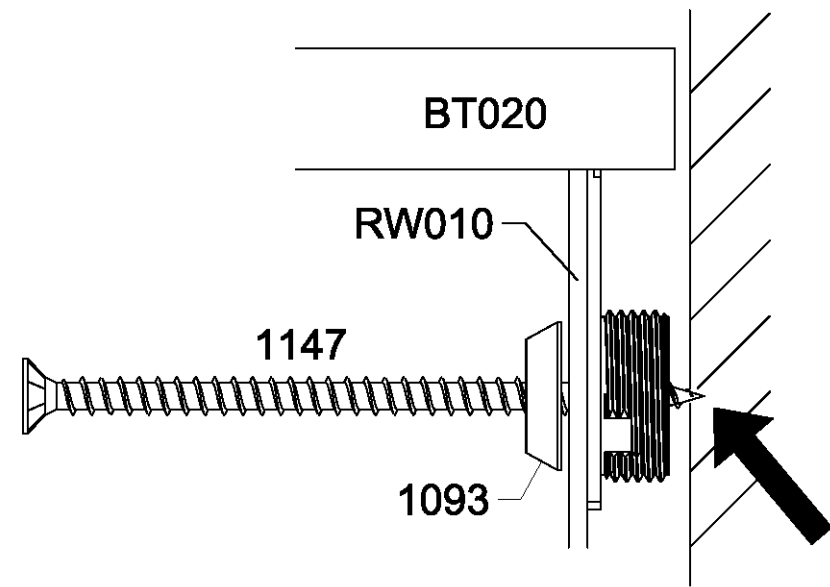


6,0x90



1147

1093



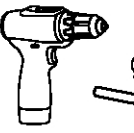
BT020

RW010

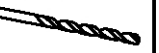
1147

1093

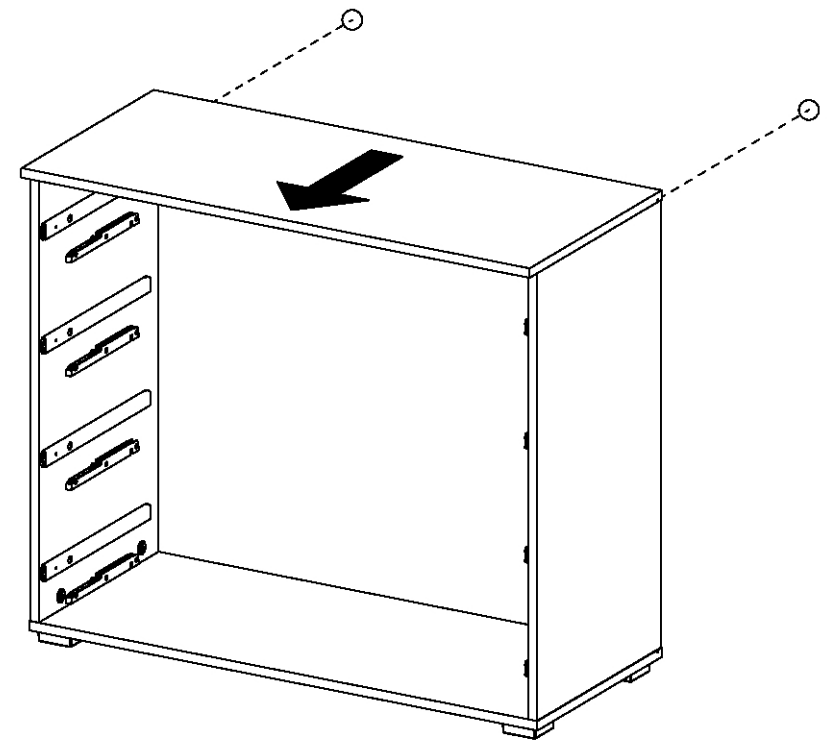
22



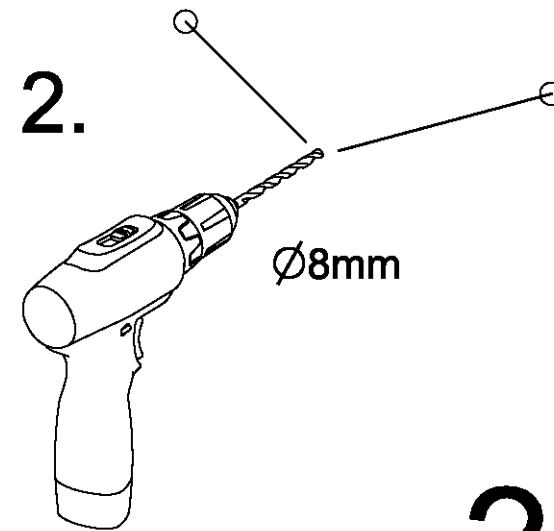
Ø8mm



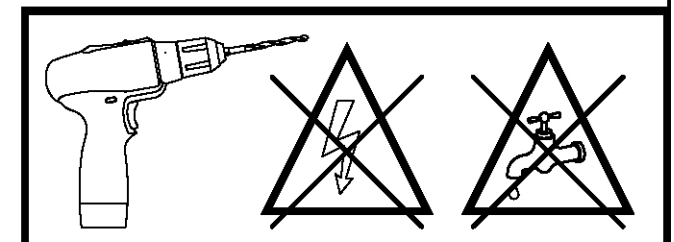
1.



2.

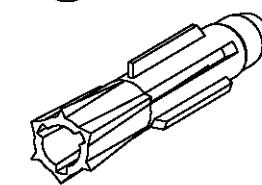
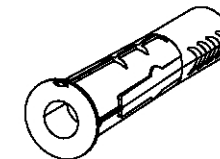


Ø8mm



?

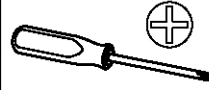
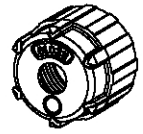
3.



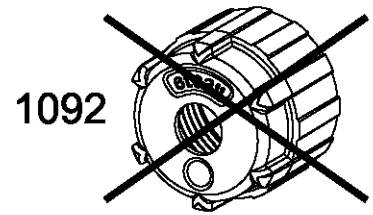
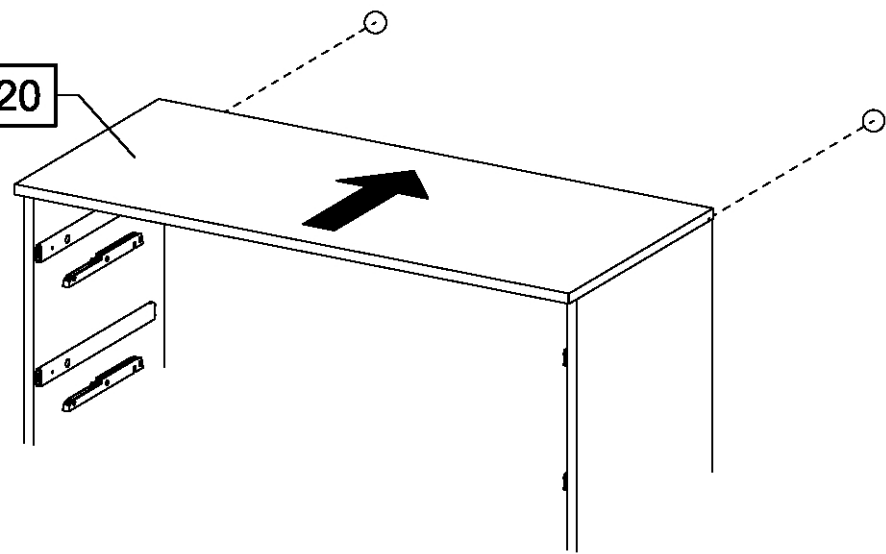
Ø8mm

23

2x 1092



BT020



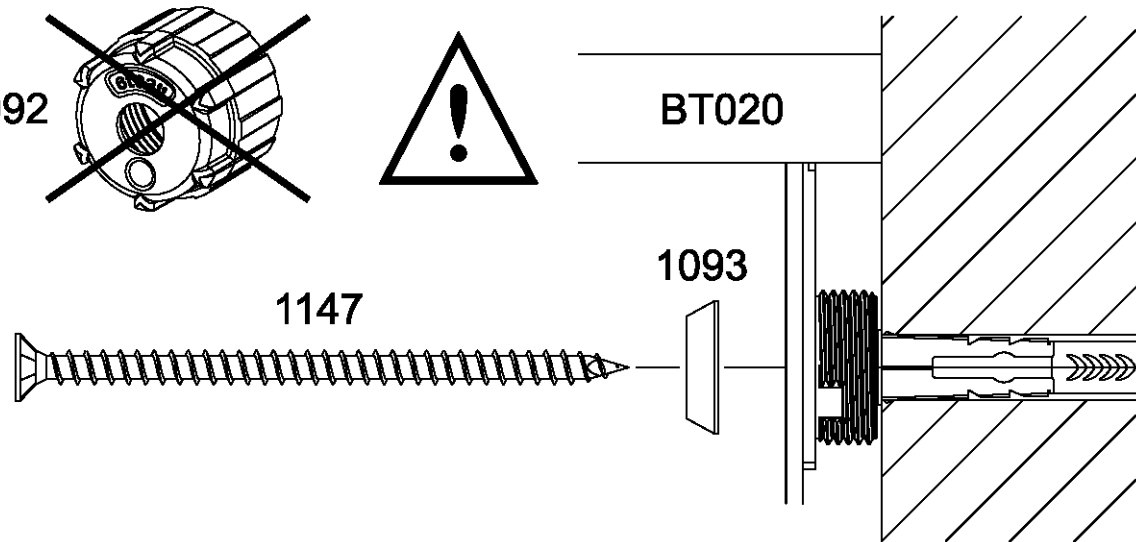
1092



BT020

1093

1147



10-15mm

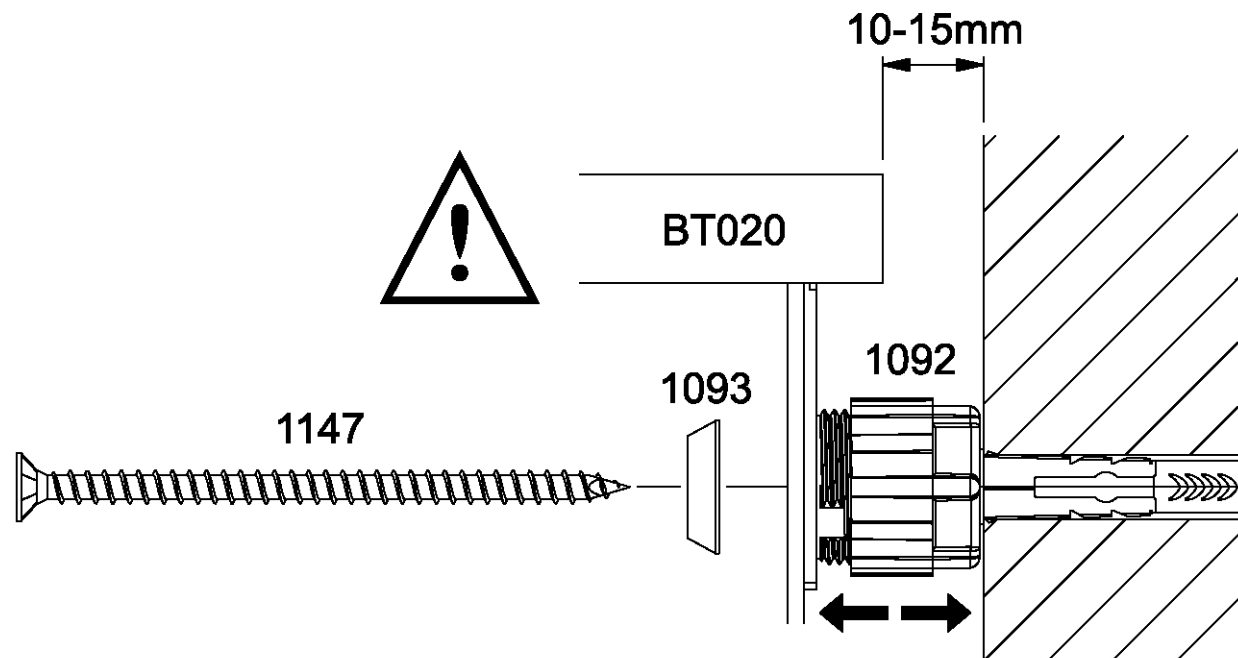


BT020

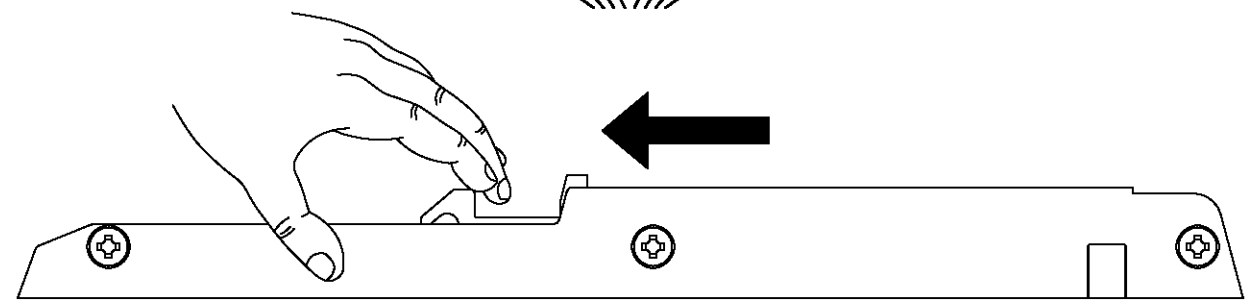
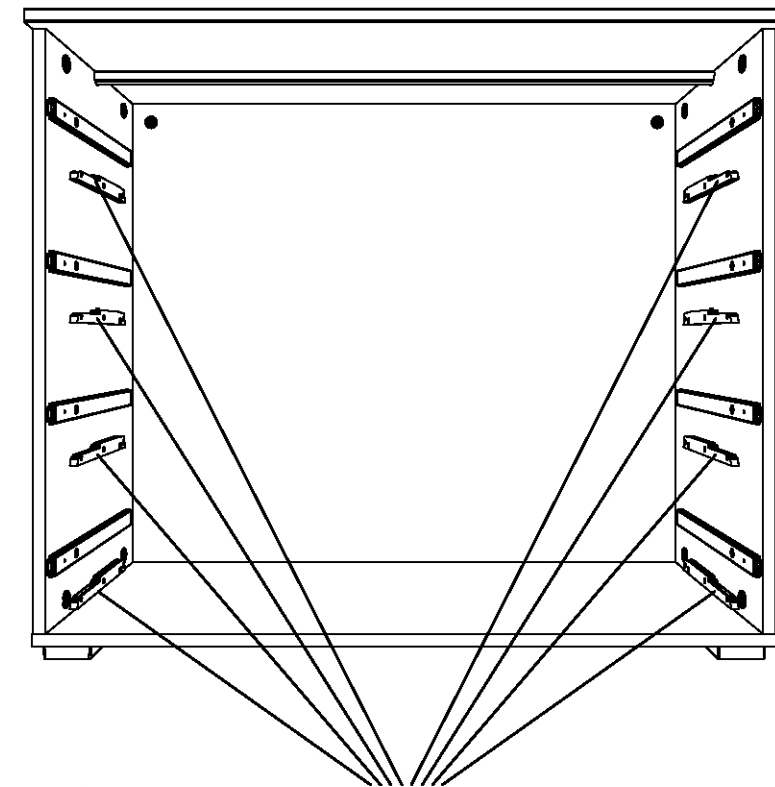
1093

1092

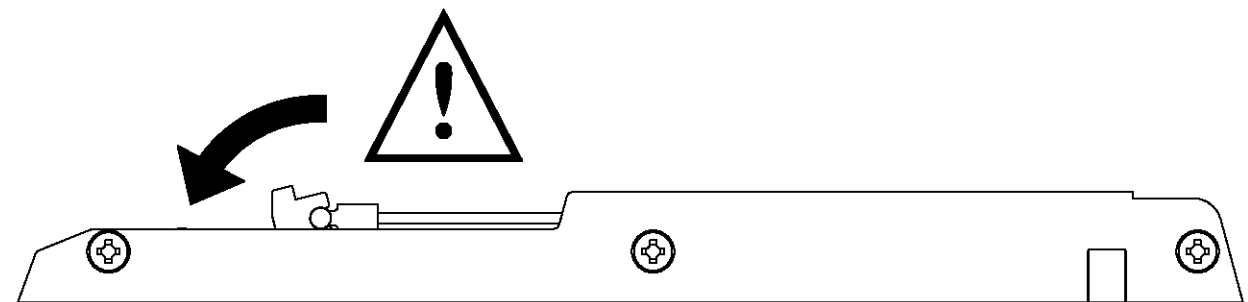
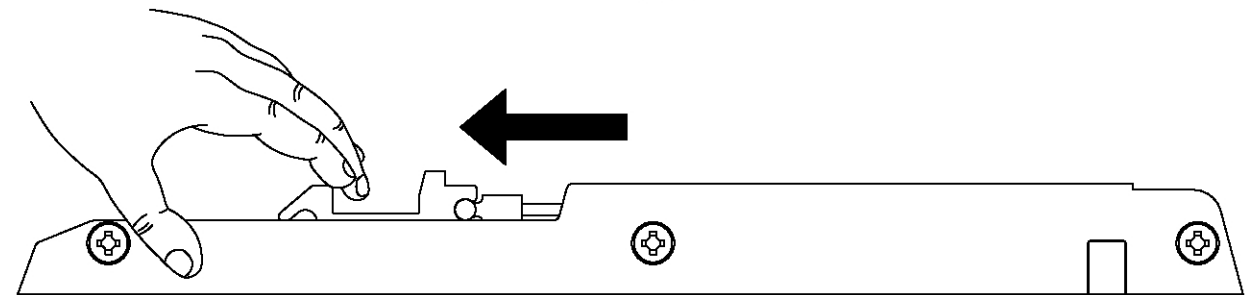
1147



24



1000



25

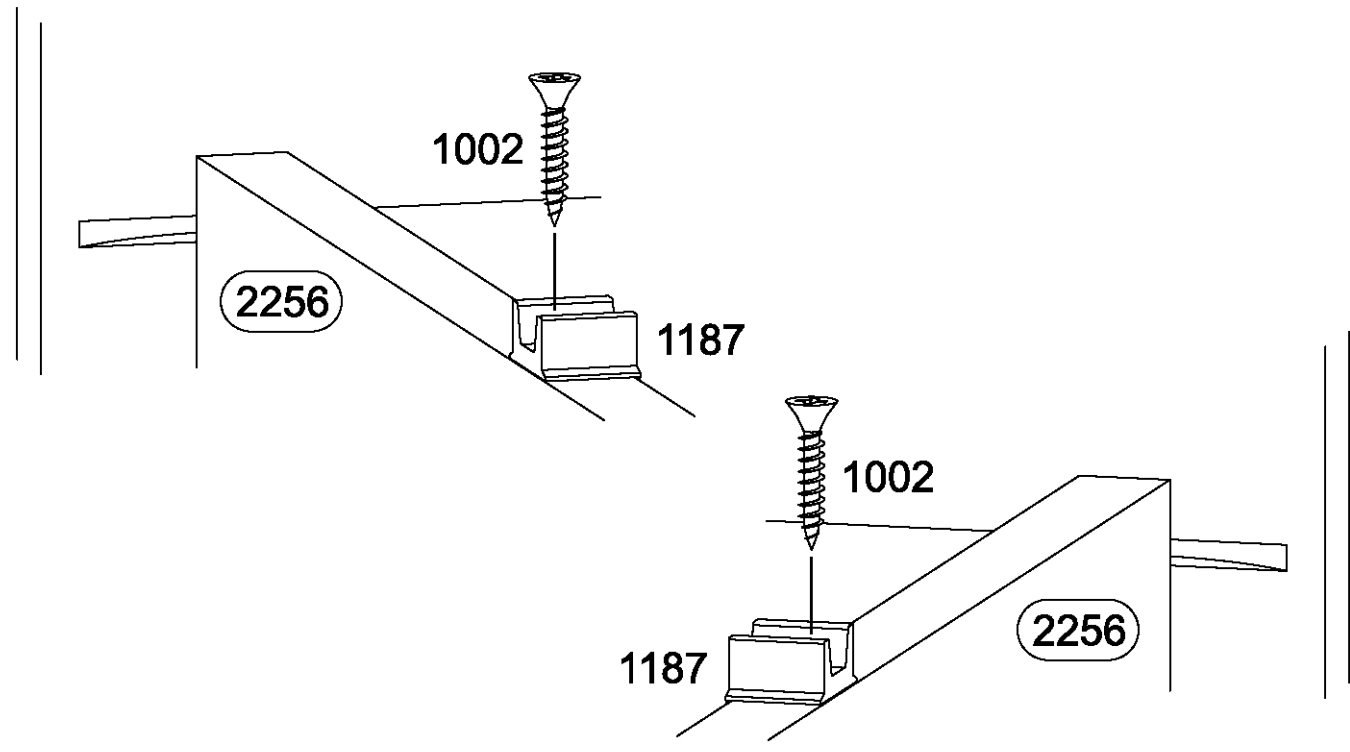
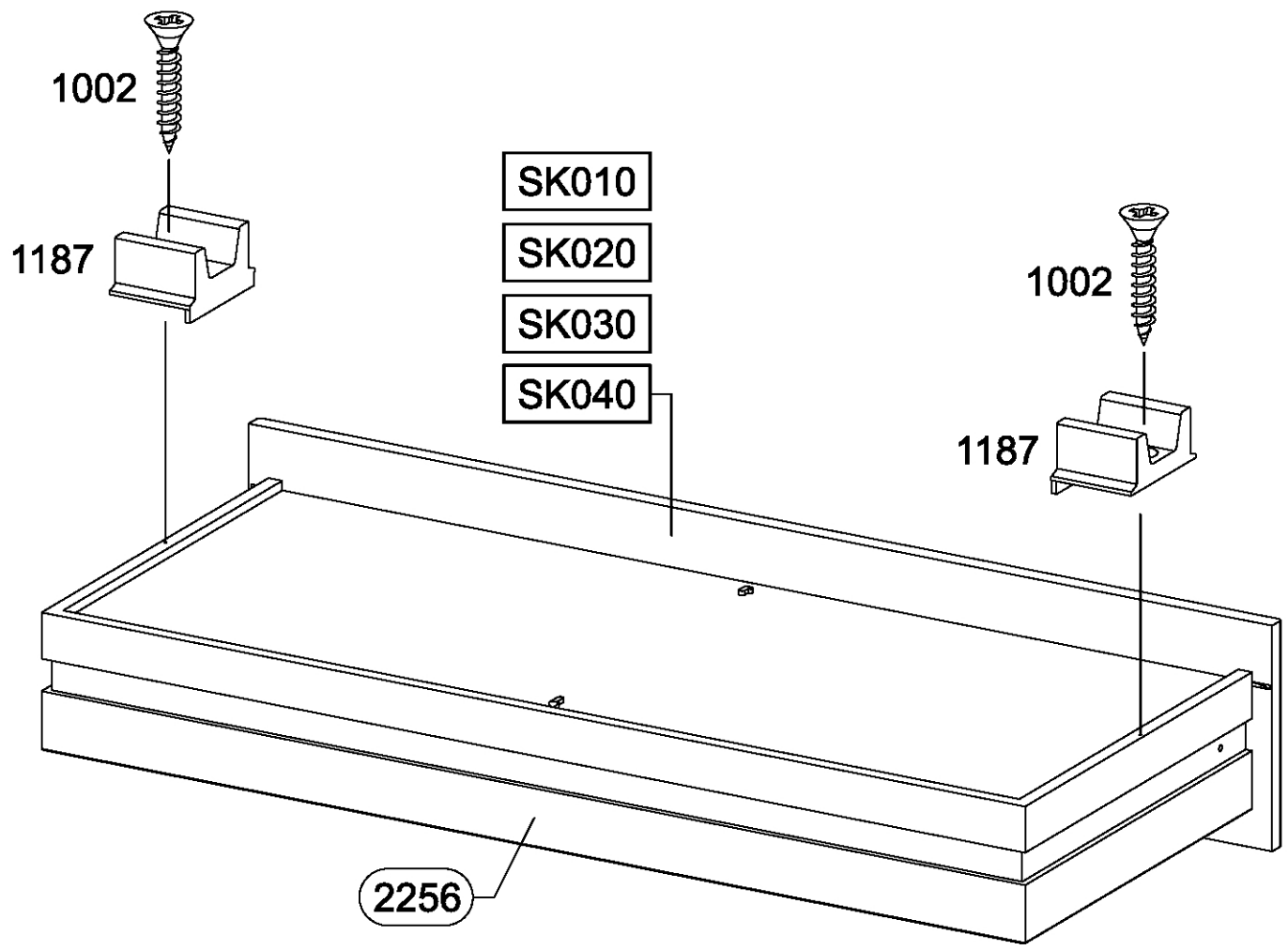
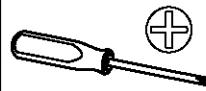
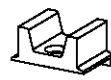
8x

1002

3,5x20

8x

1187



26

8x

568

M4x9

