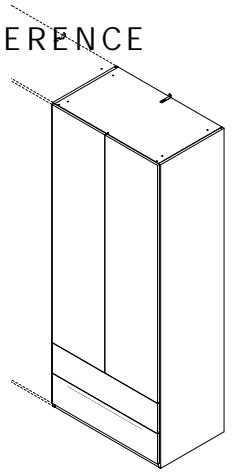
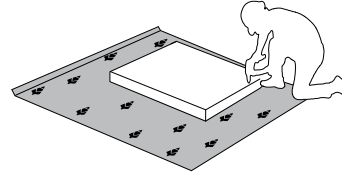
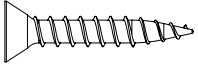
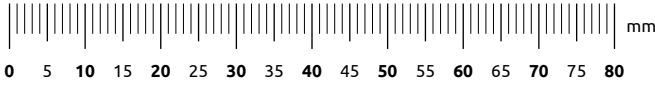
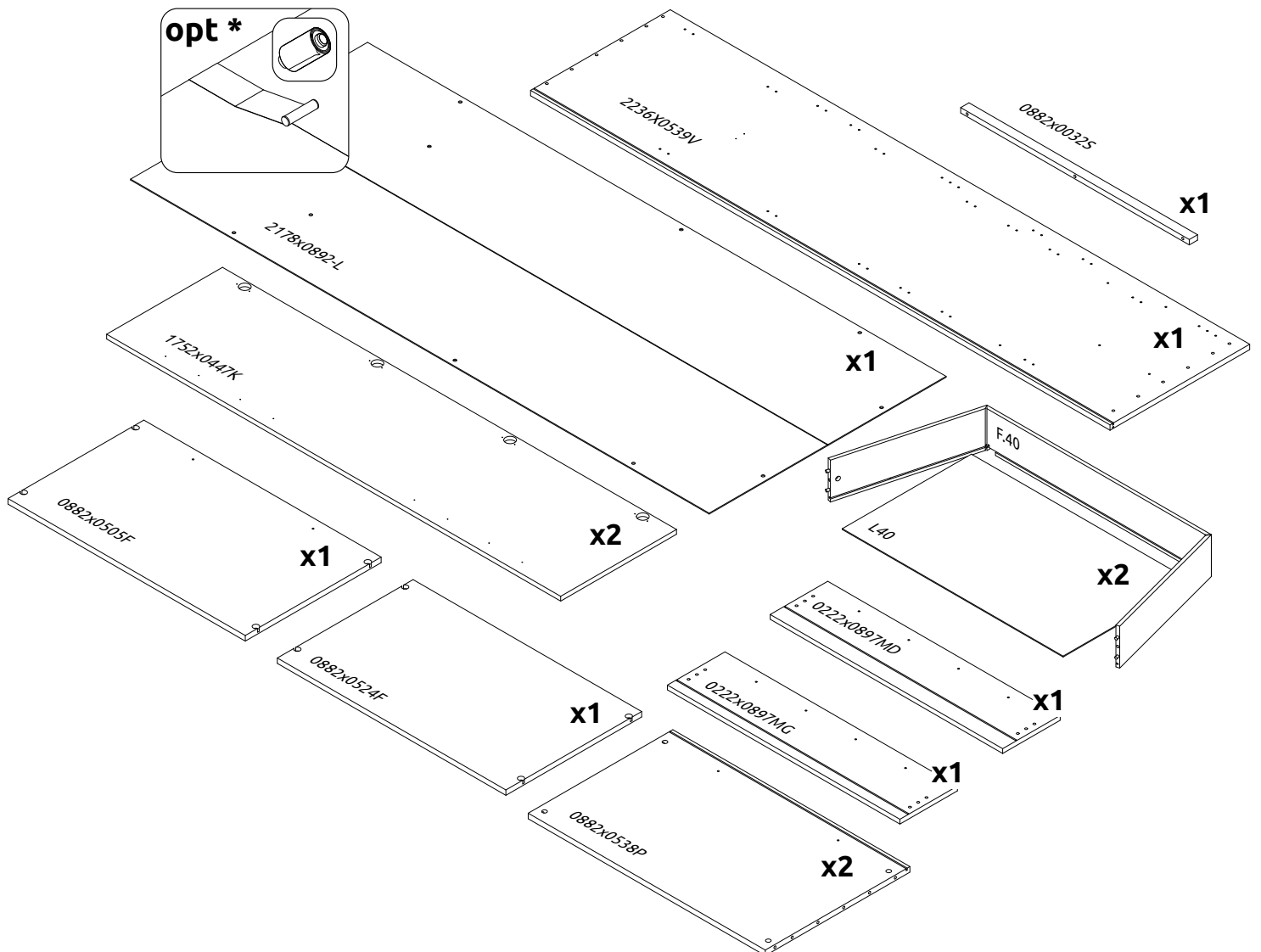
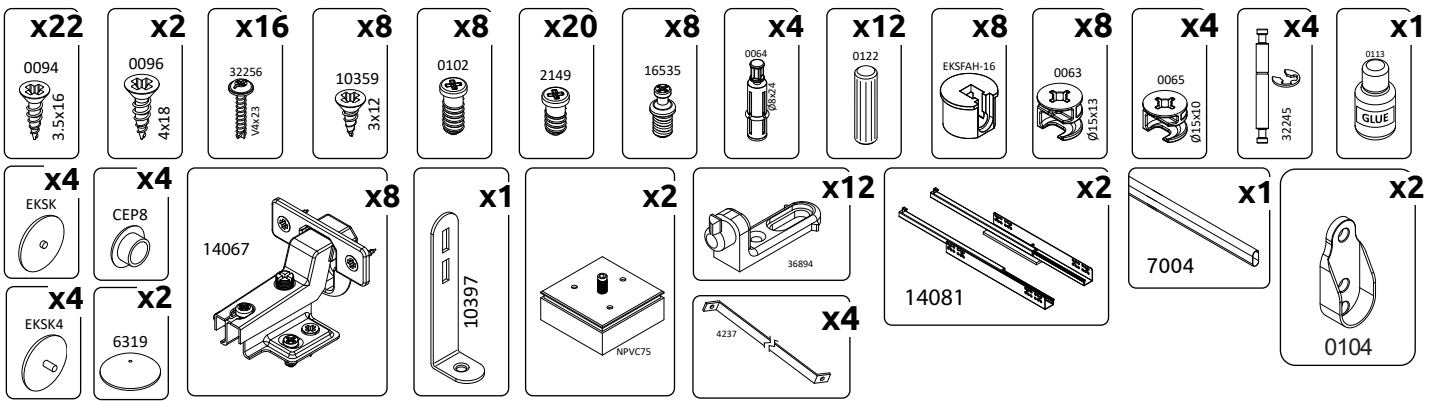


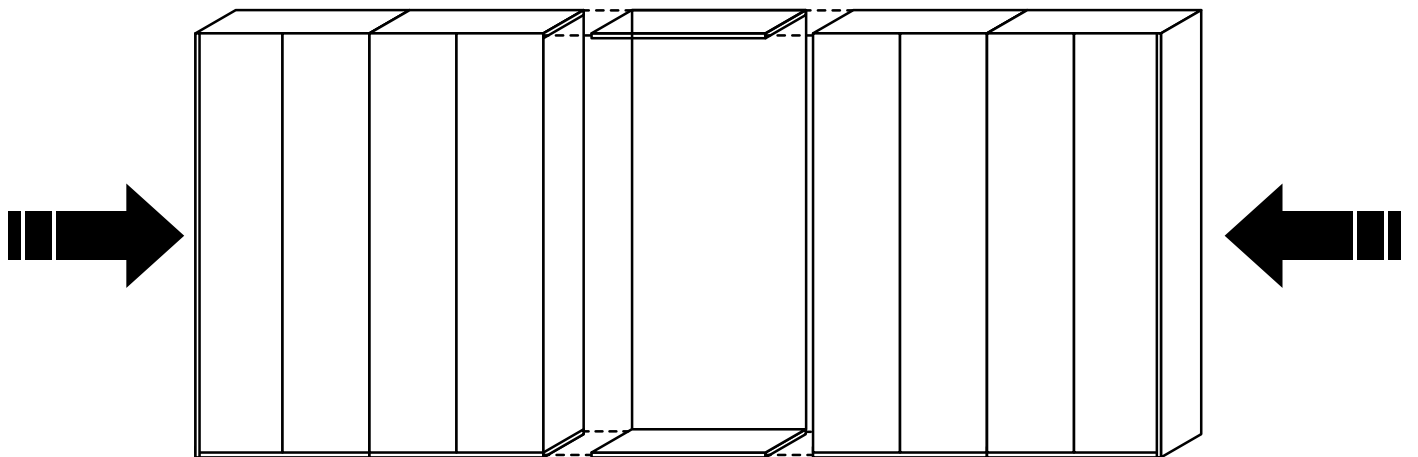
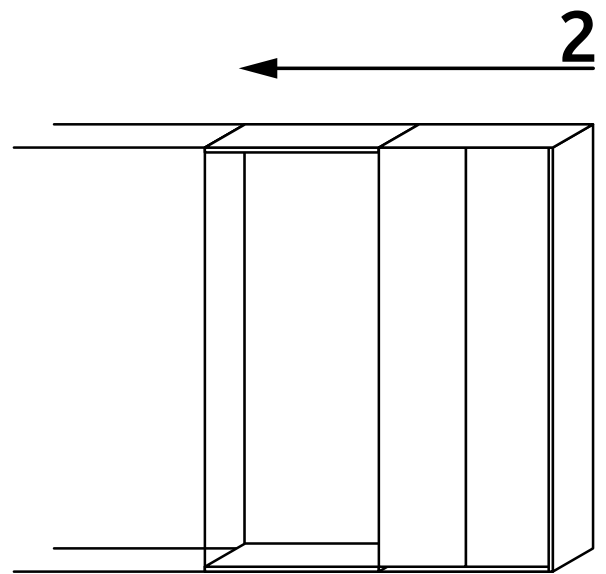
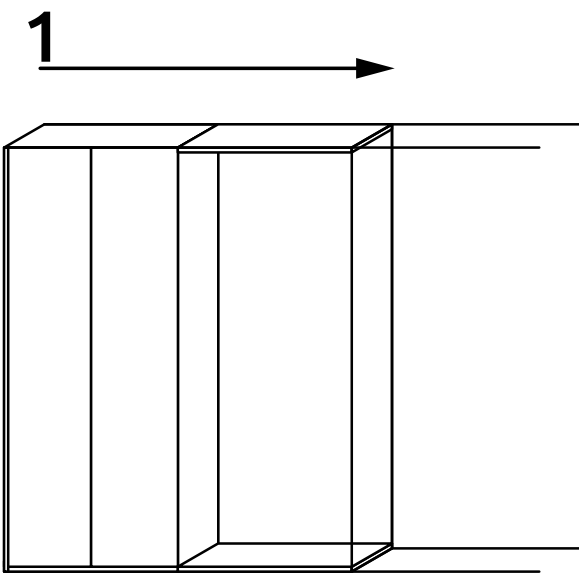
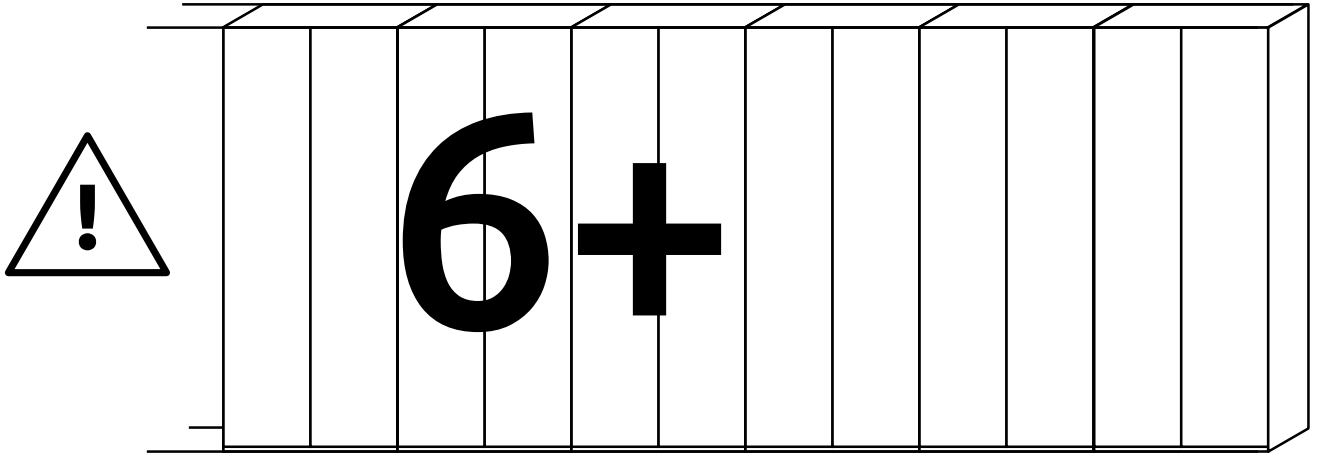


IMPORTANT - READ CAREFULLY - RETAIN FOR FUTURE REFERENCE
WICHTIG - SORGFÄLTIG LESEN UND AUFBEWAHREN

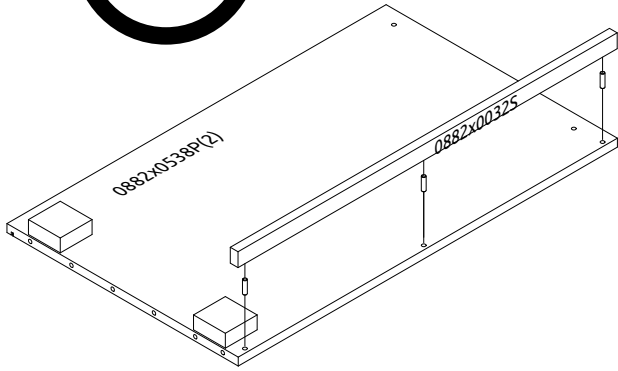
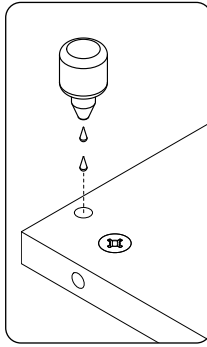
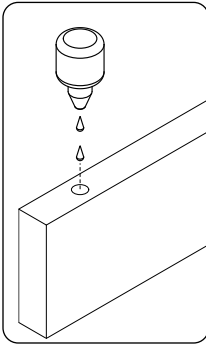
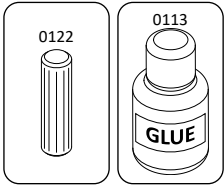


DP22-AR
LWH - 900x555x2236

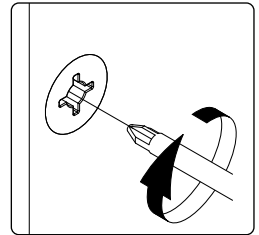
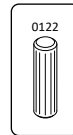
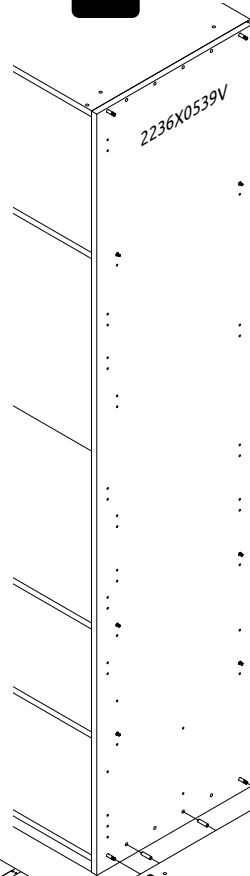




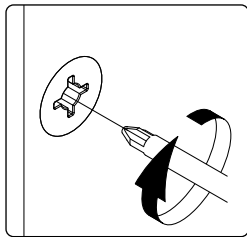
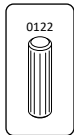
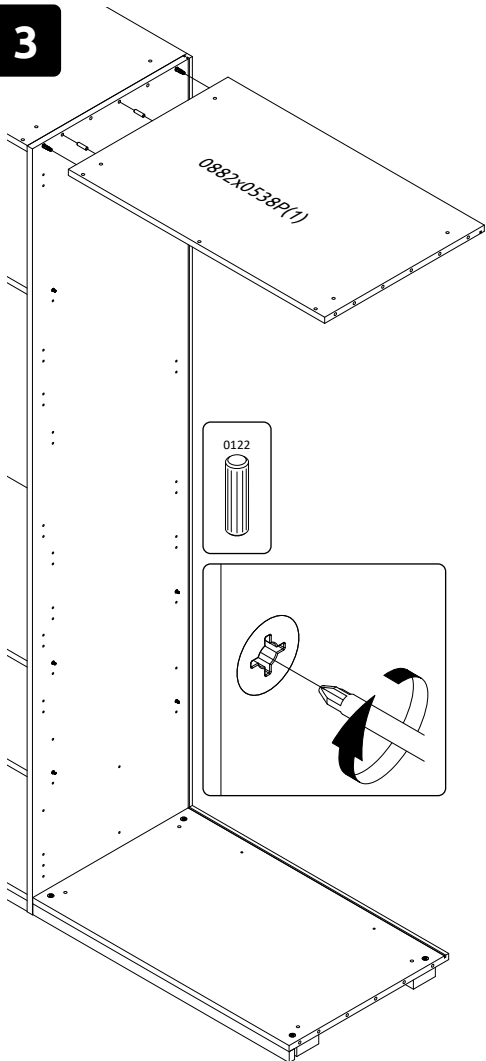
1



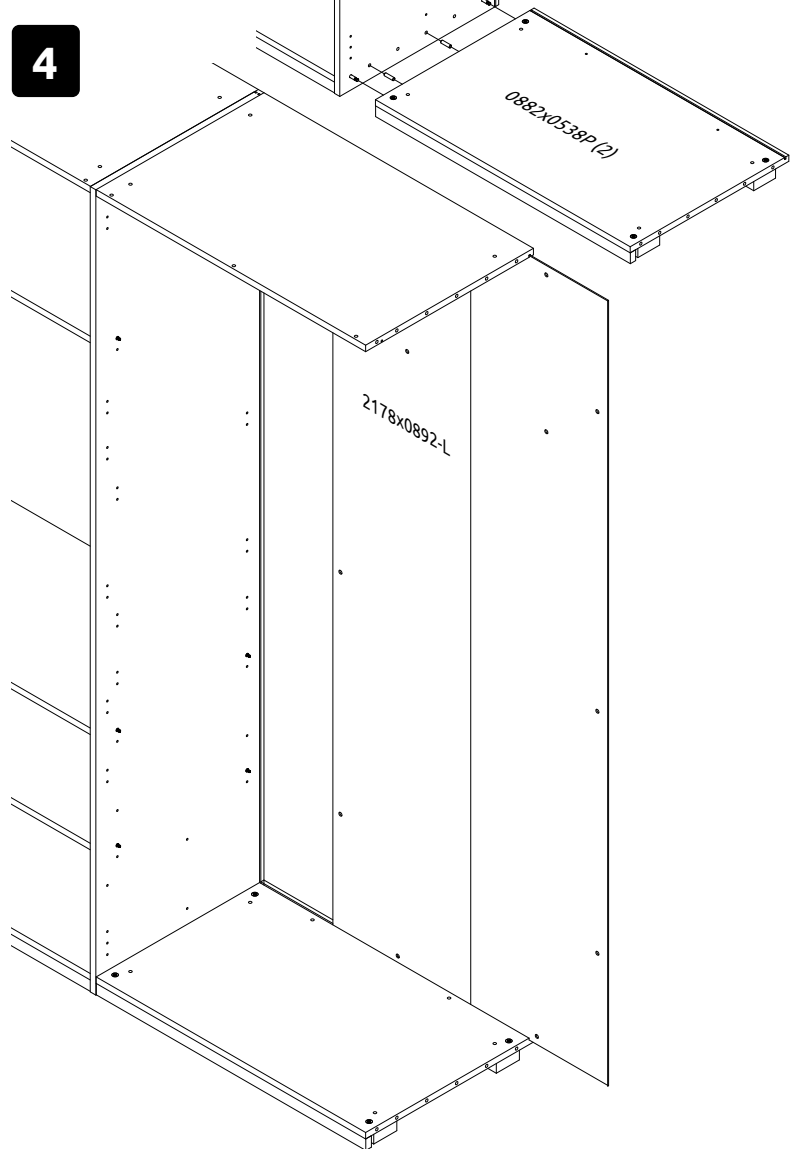
2



3

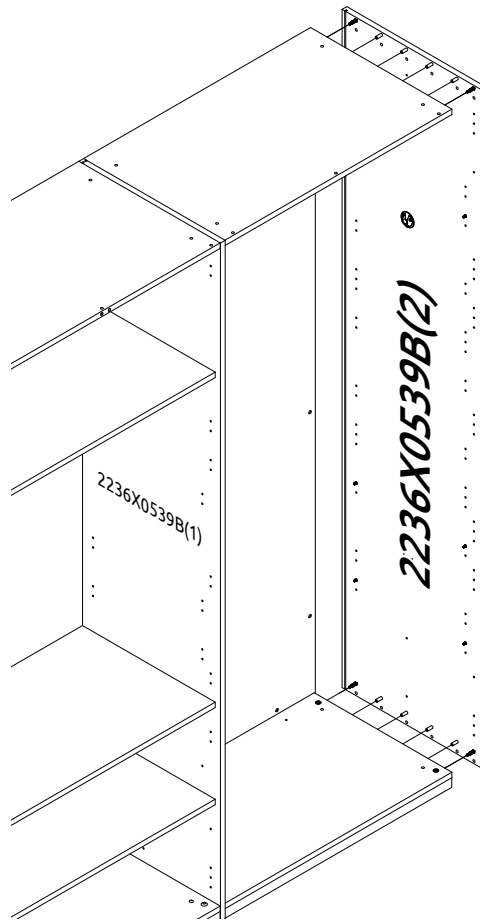
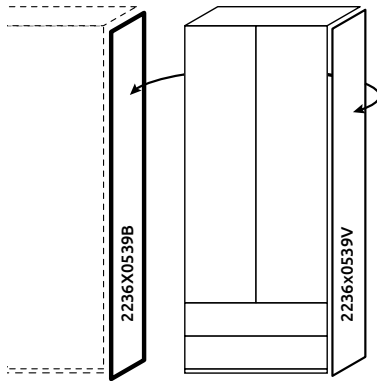


4

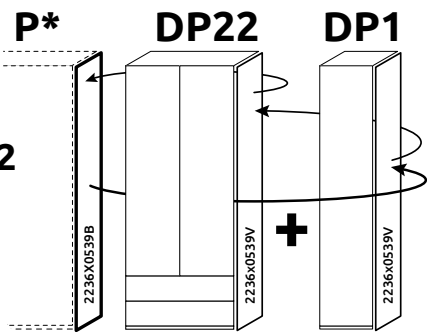


5 

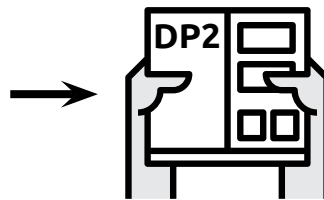
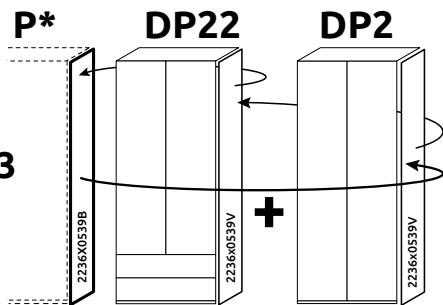
***opt 1**



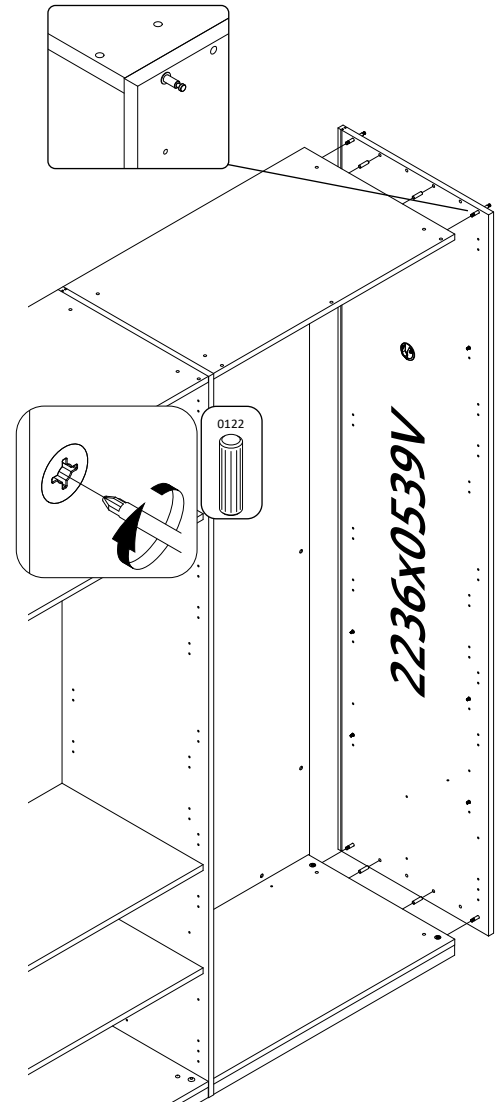
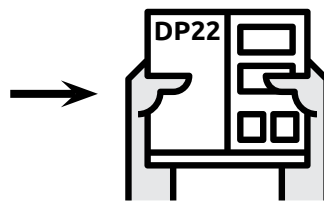
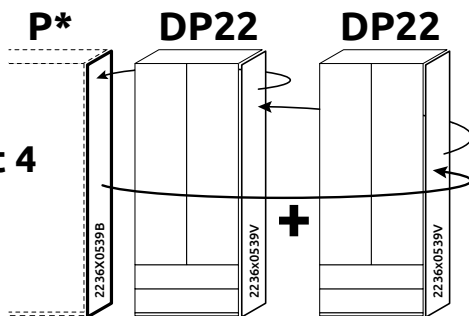
***opt 2**

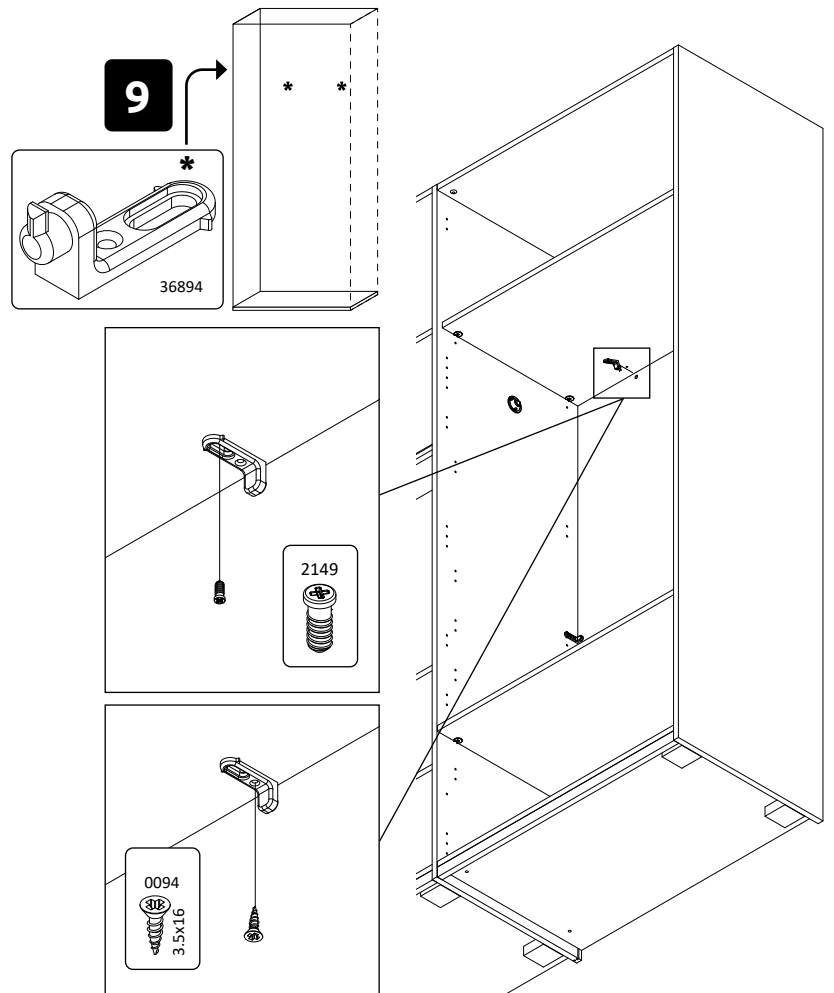
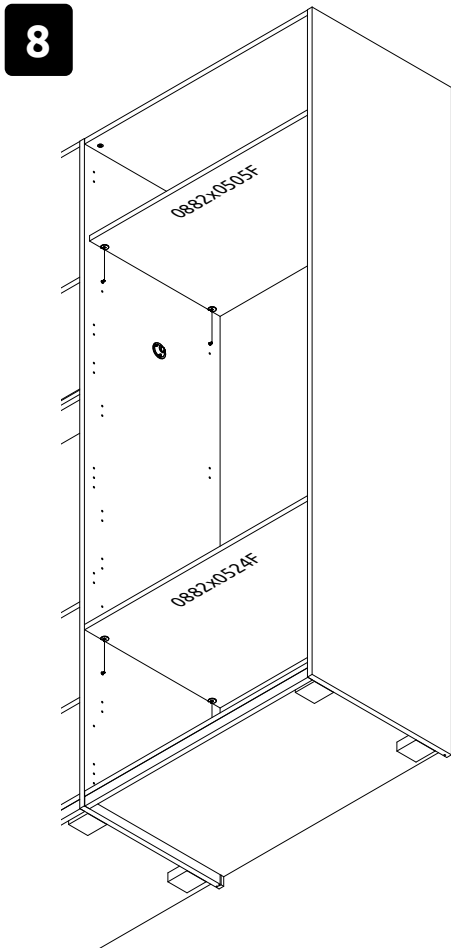
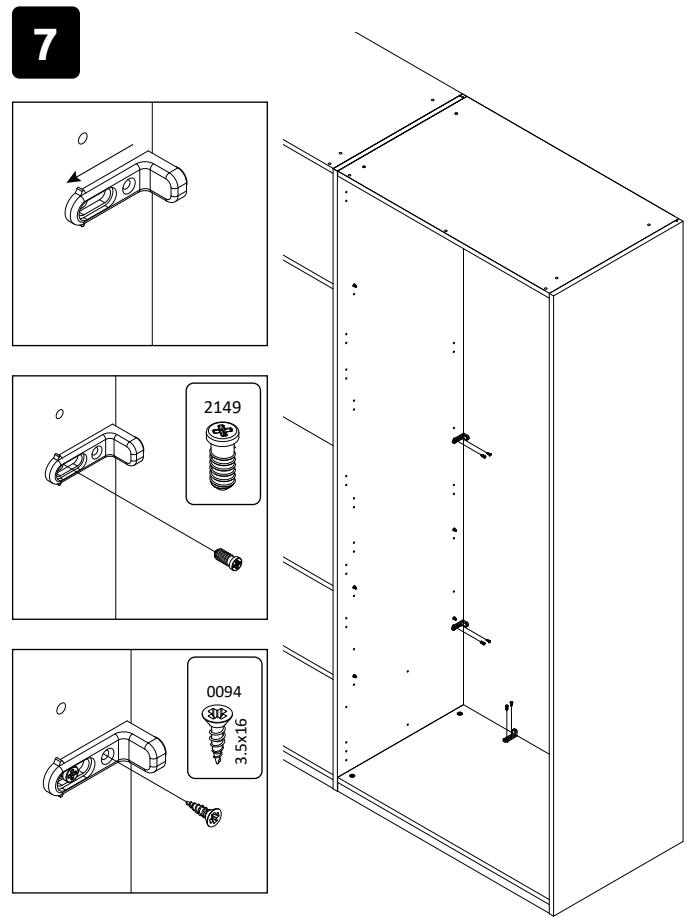
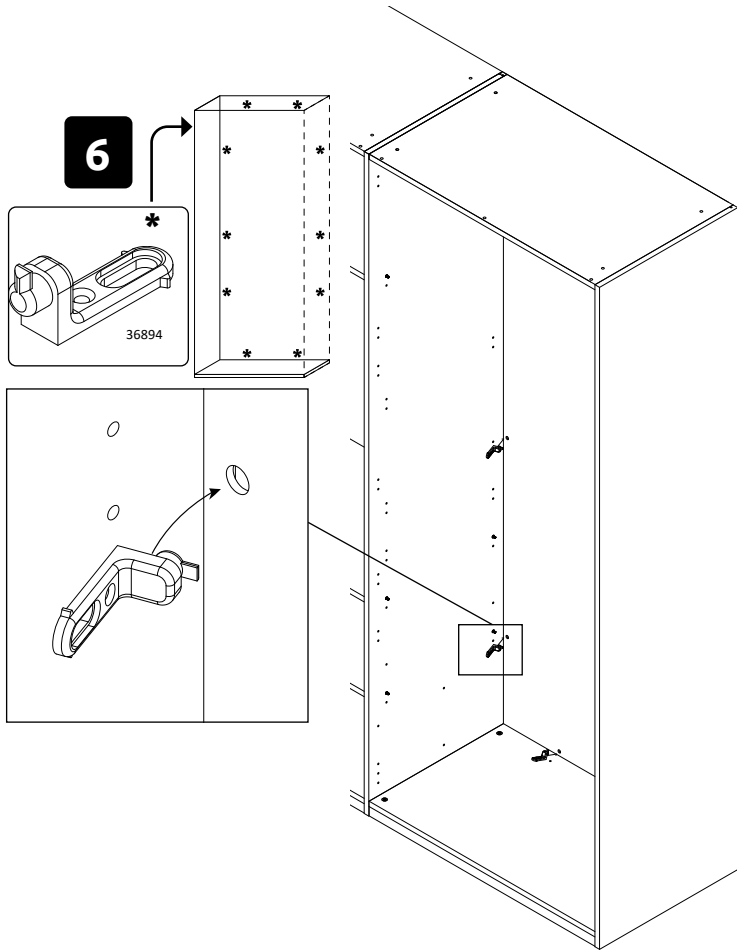


***opt 3**

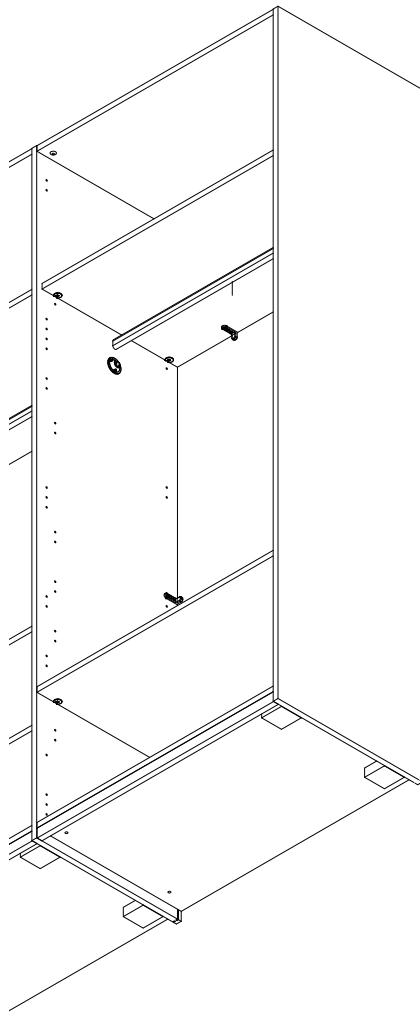
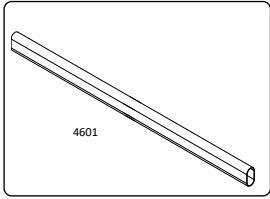


***opt 4**

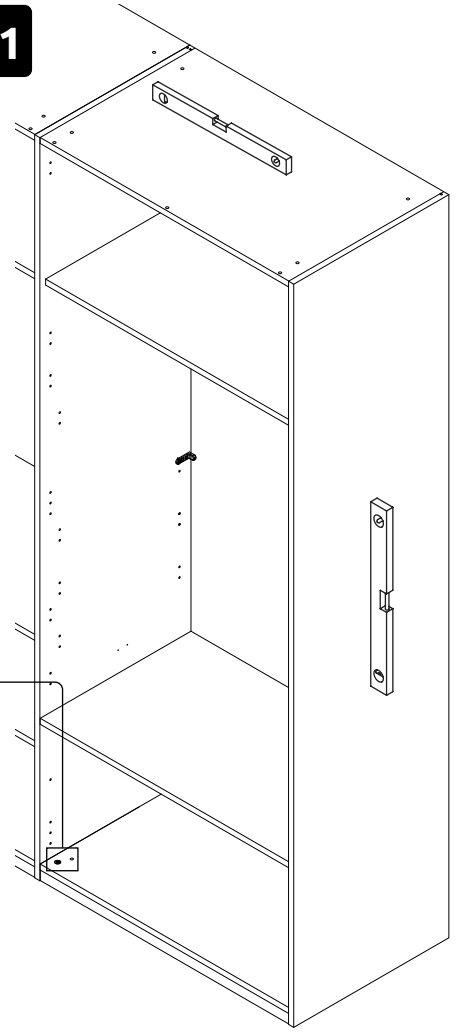
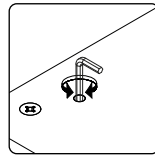
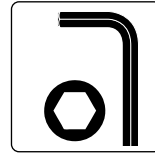
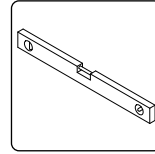




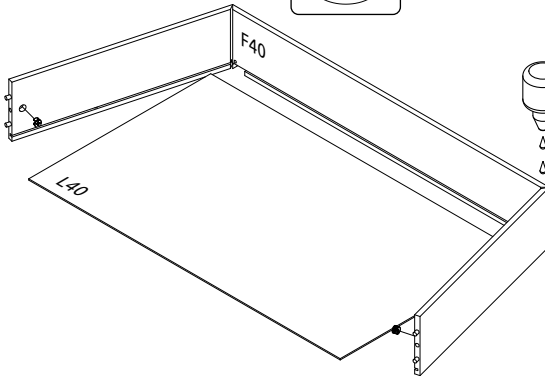
10



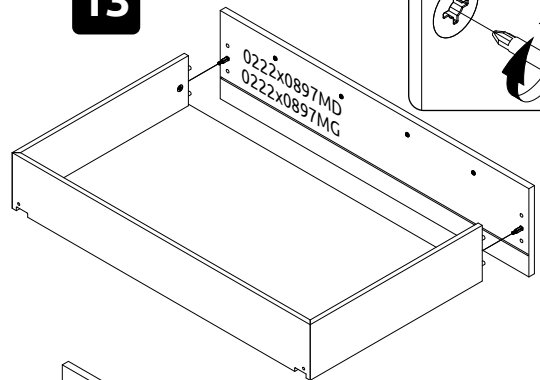
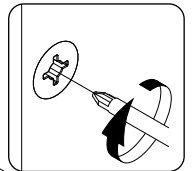
11



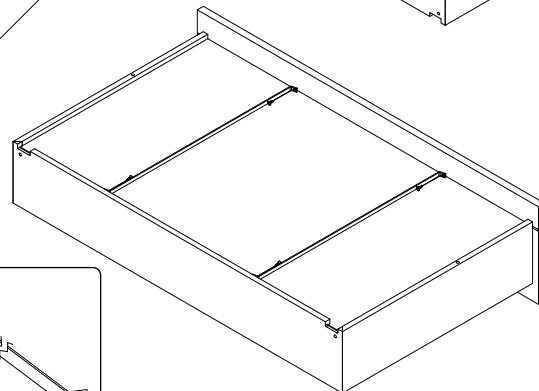
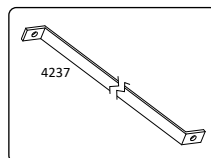
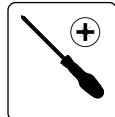
12



13

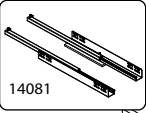


14

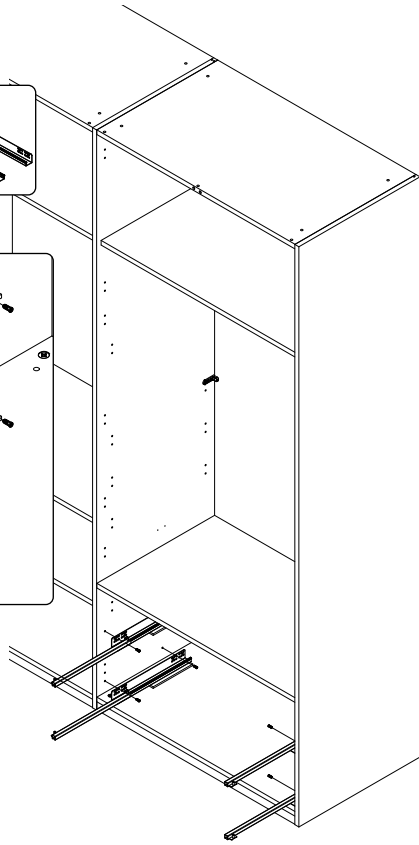
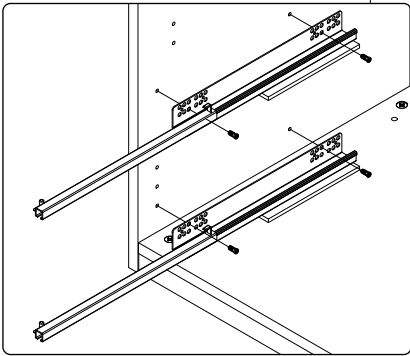


15

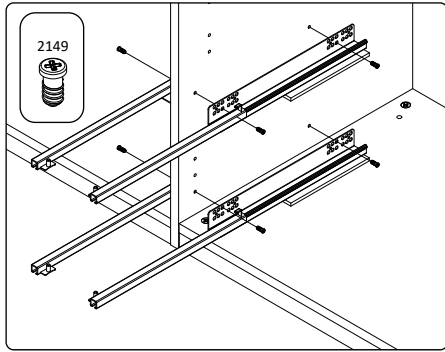
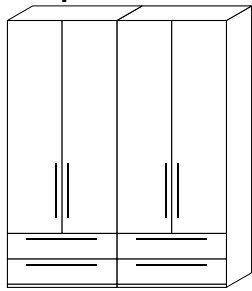
0102



14081

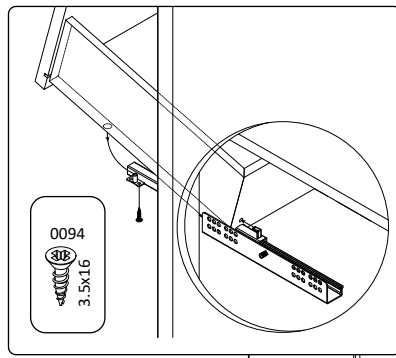


*opt



2149

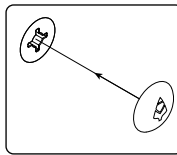
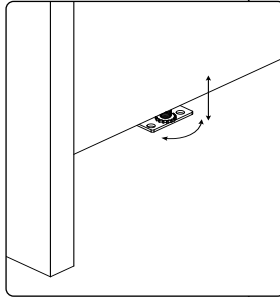
16



0094



3.5x16

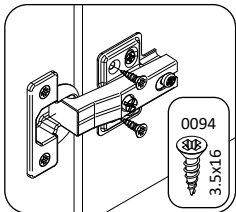
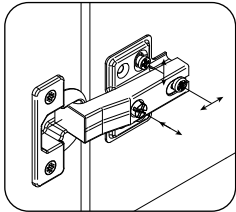
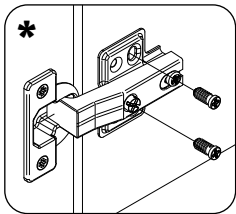


159



18

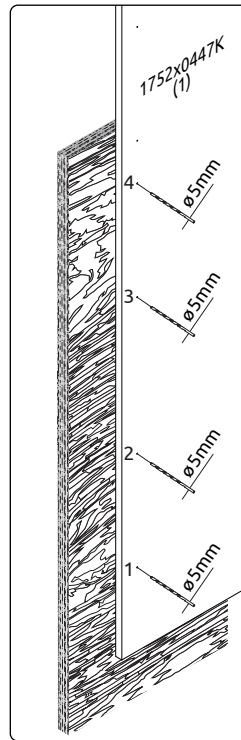
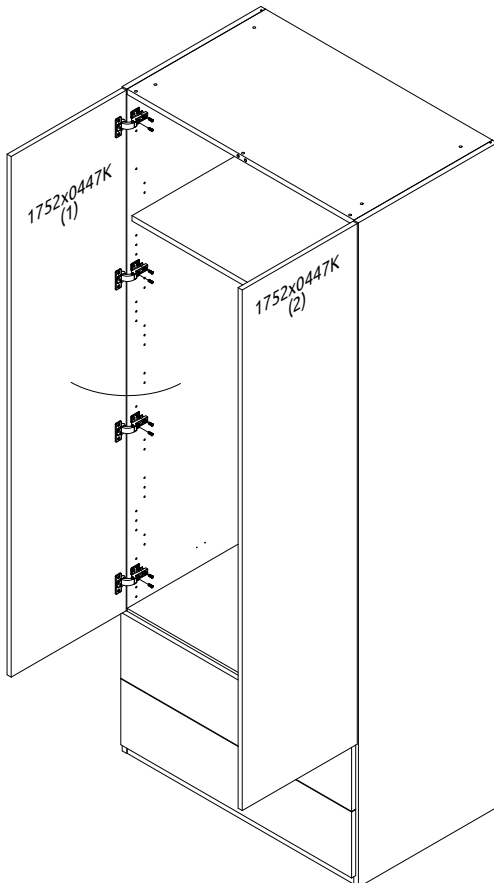
17



0094



3.5x16



1752x0447K (1)

4

ø5mm

3

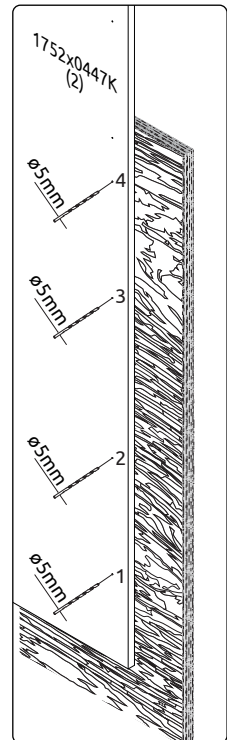
ø5mm

2

ø5mm

1

ø5mm



1752x0447K (2)

4

ø5mm

3

ø5mm

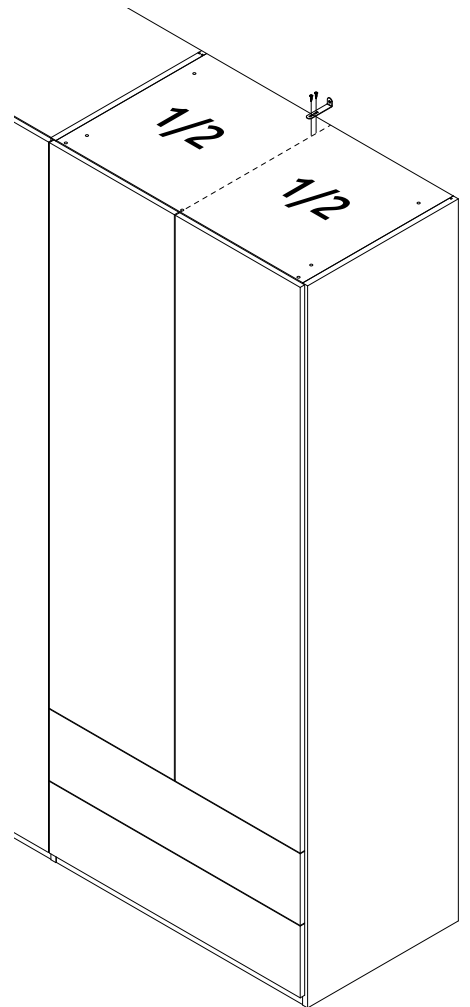
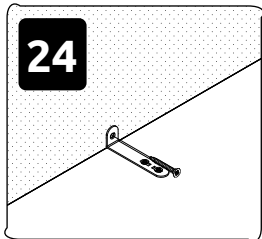
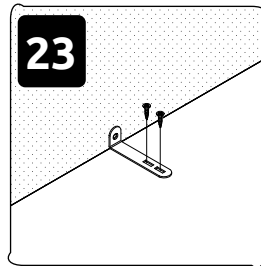
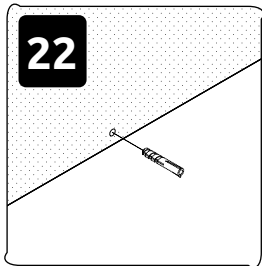
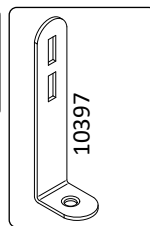
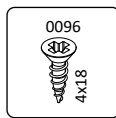
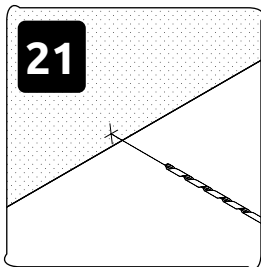
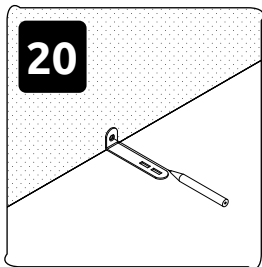
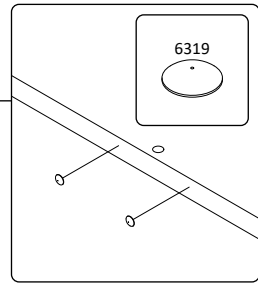
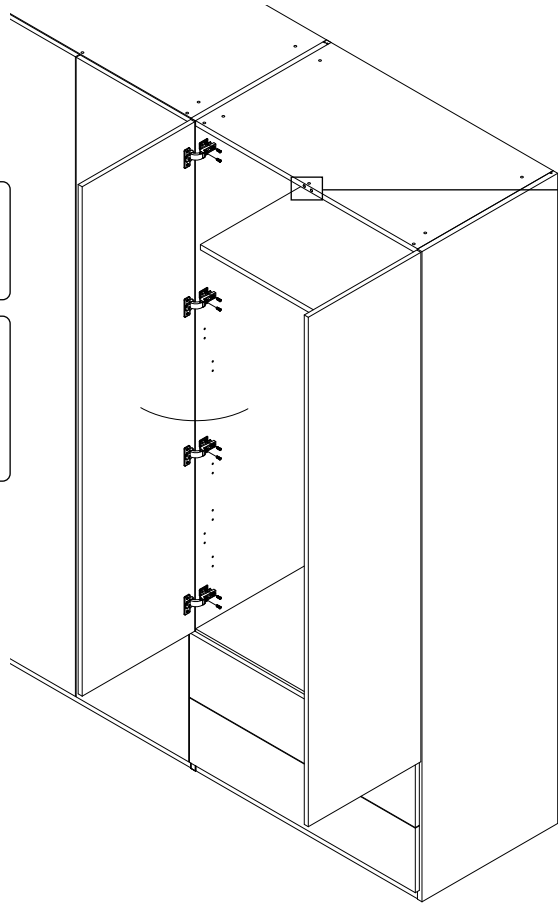
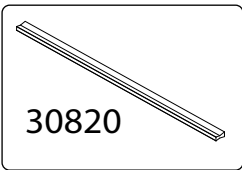
2

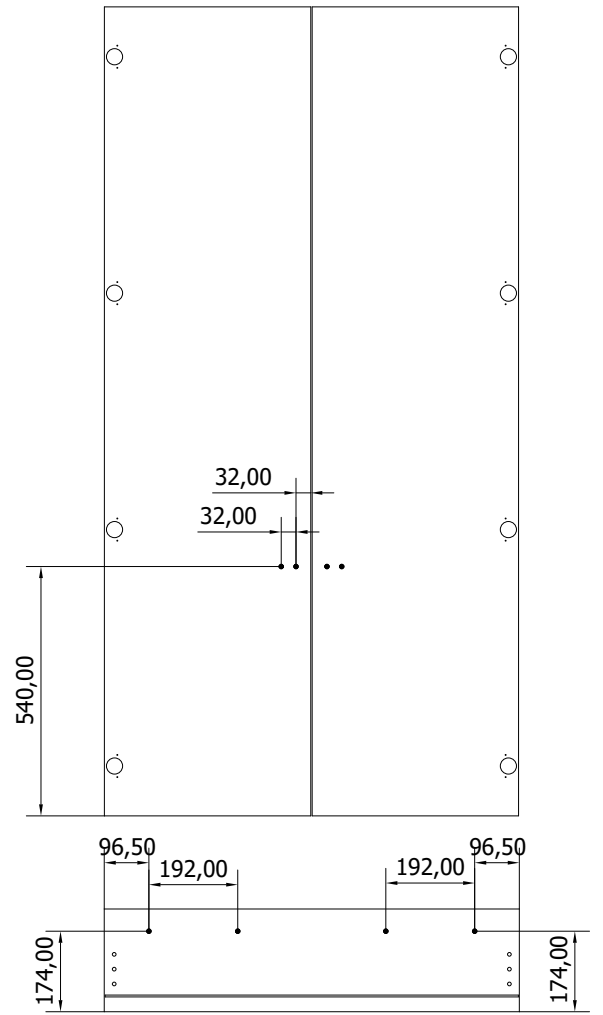
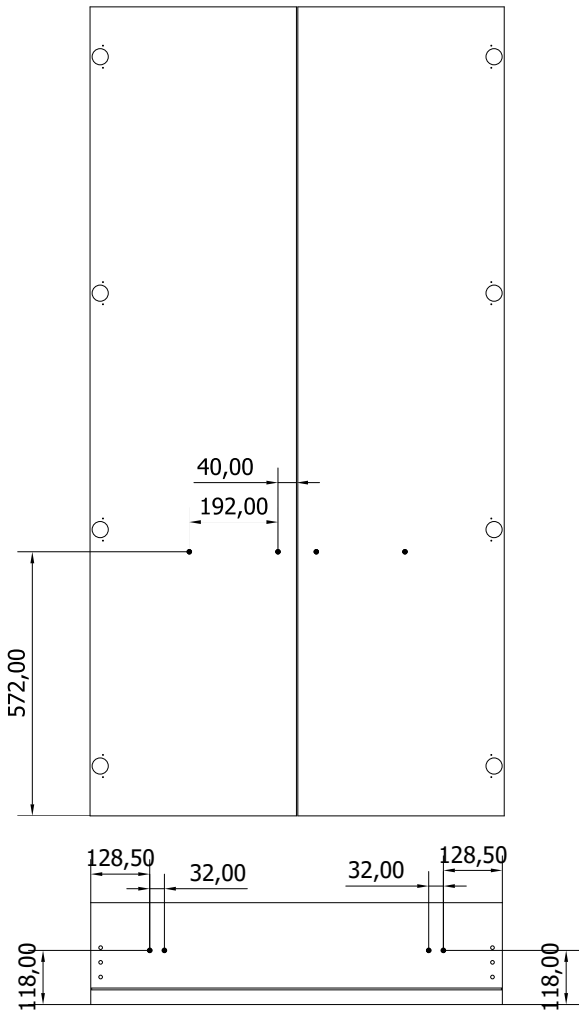
ø5mm

1

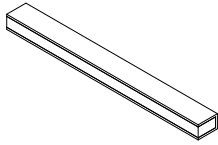
ø5mm

19

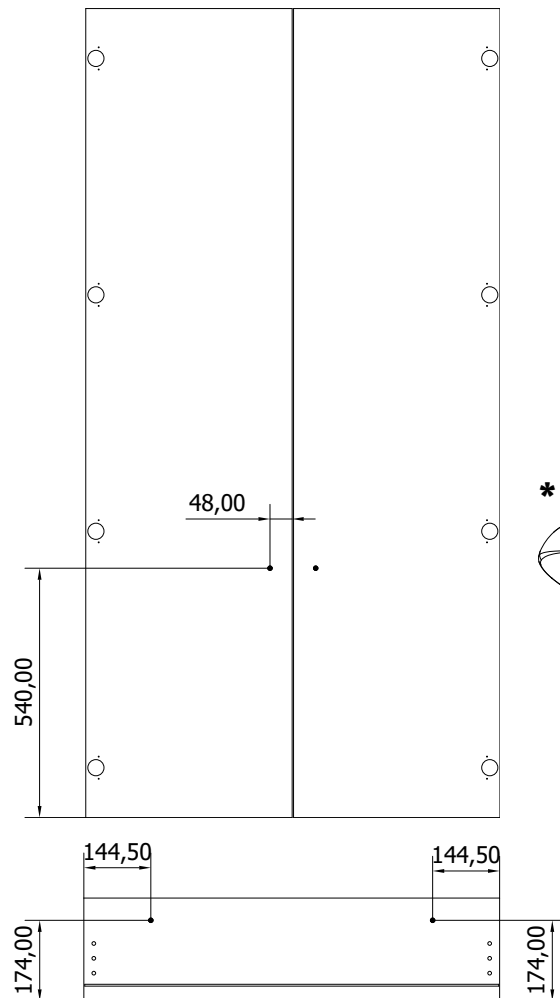
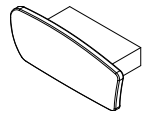




*** OPT**



*** OPT**



*** OPT**

