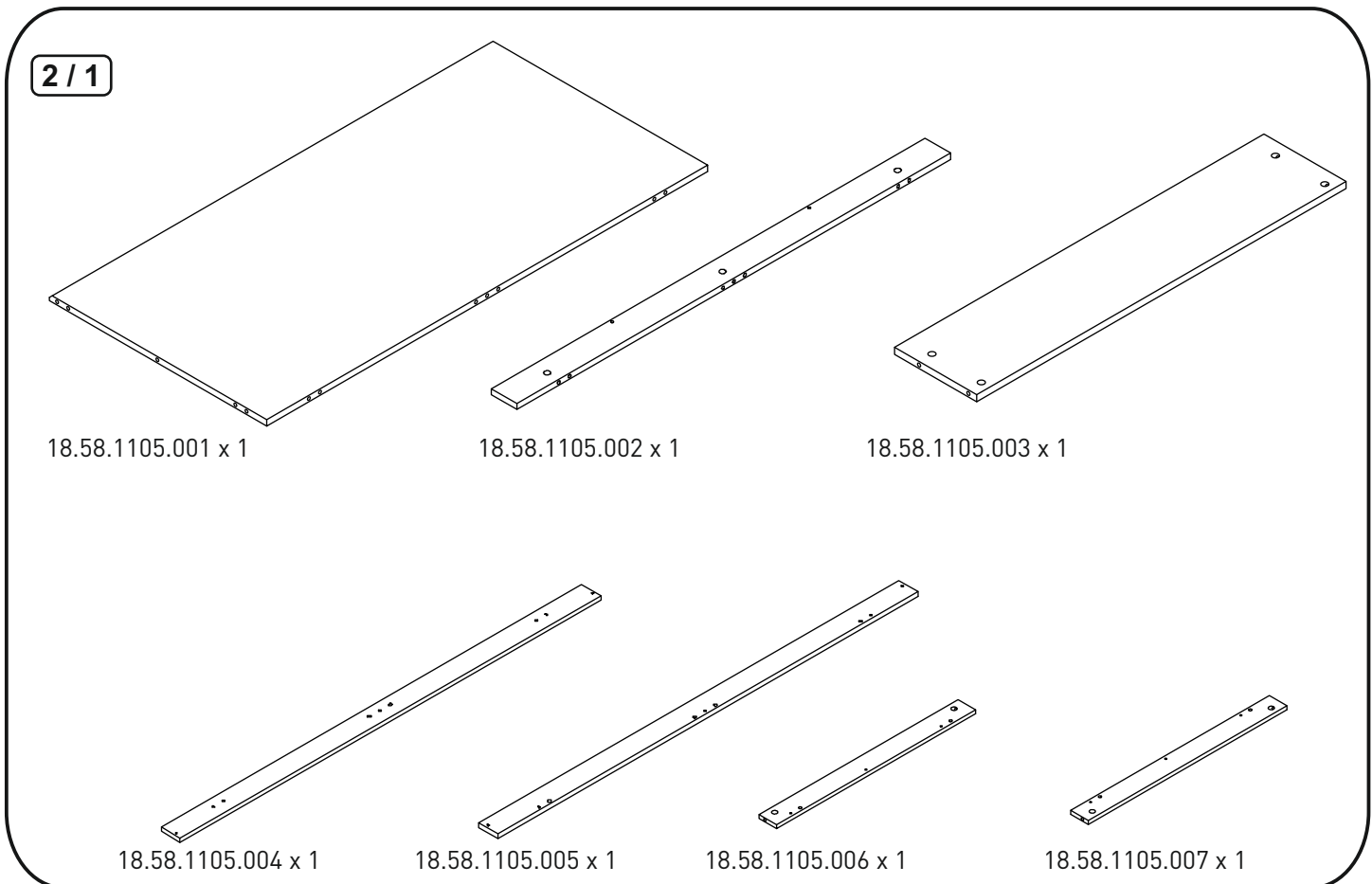
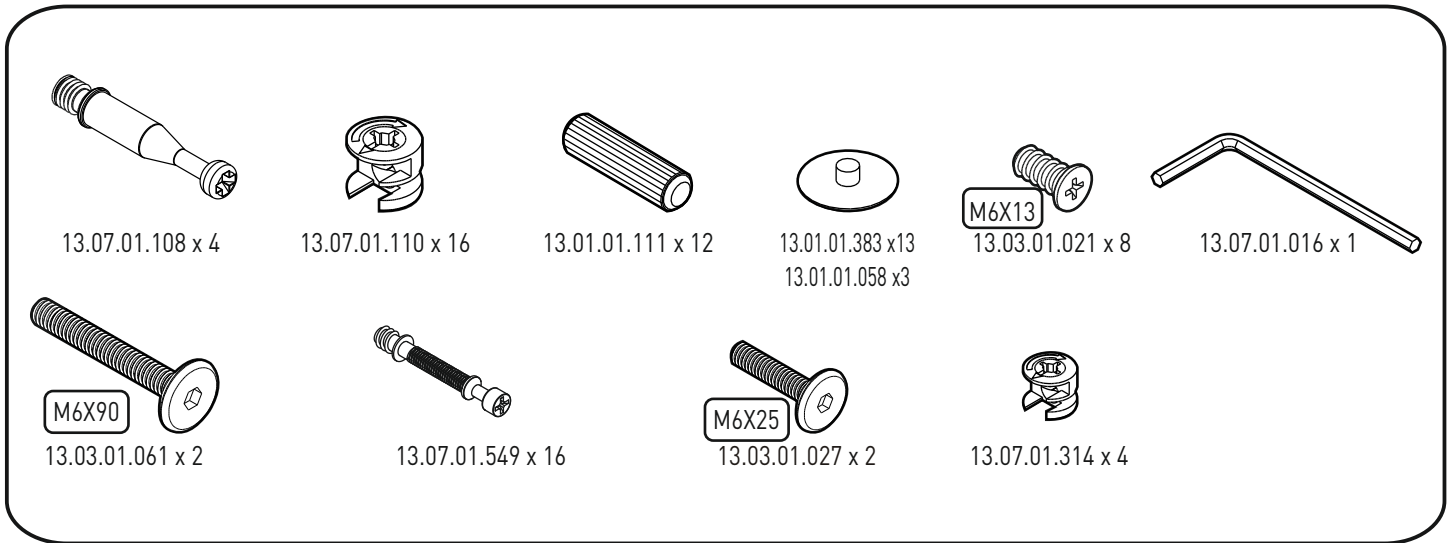
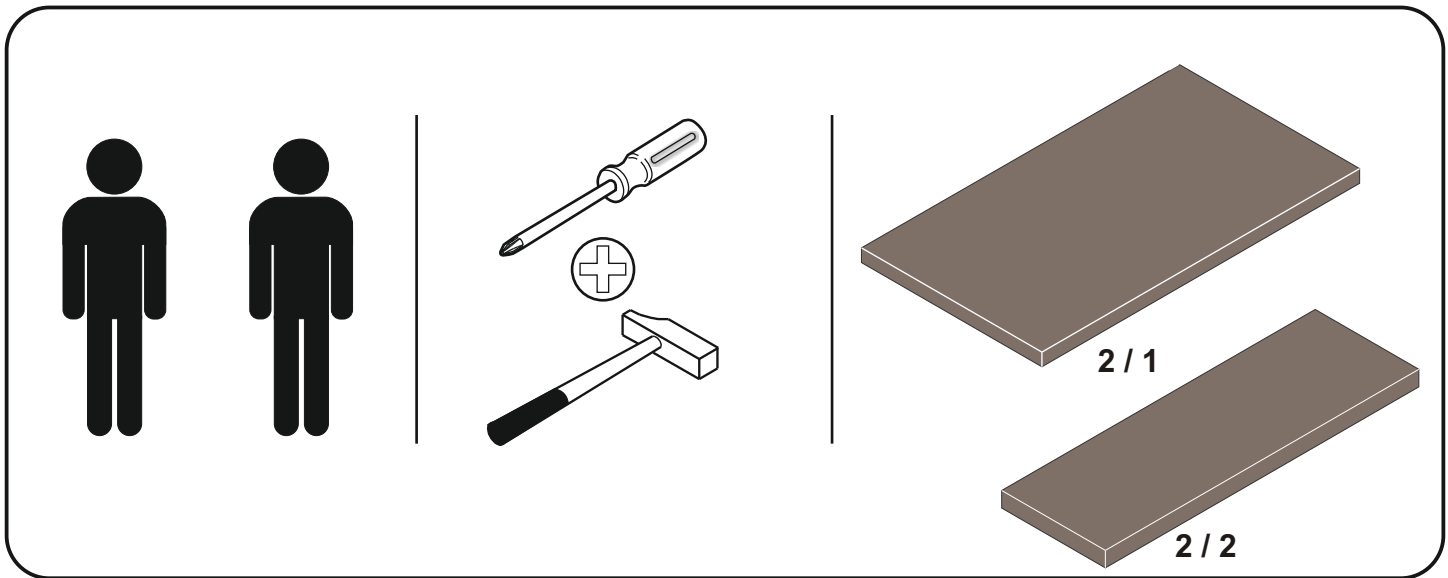
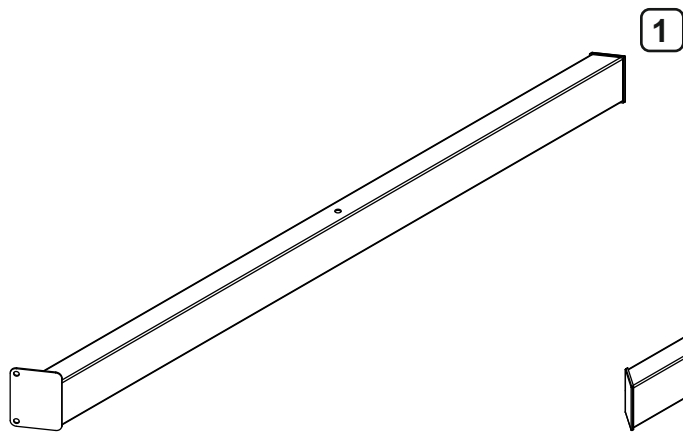


**20.58.1105.00**

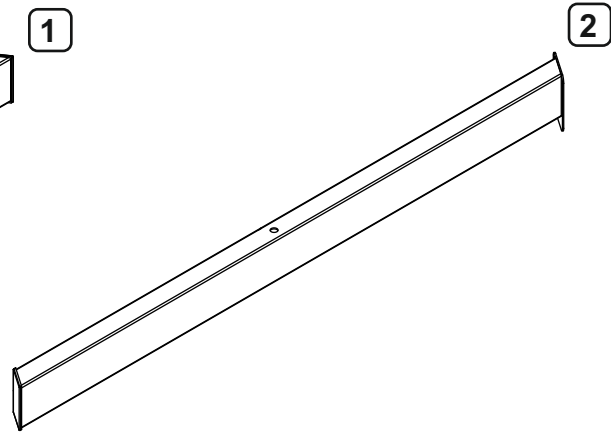




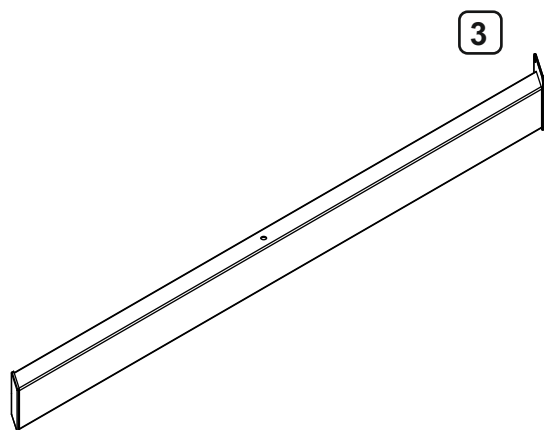
2 / 2



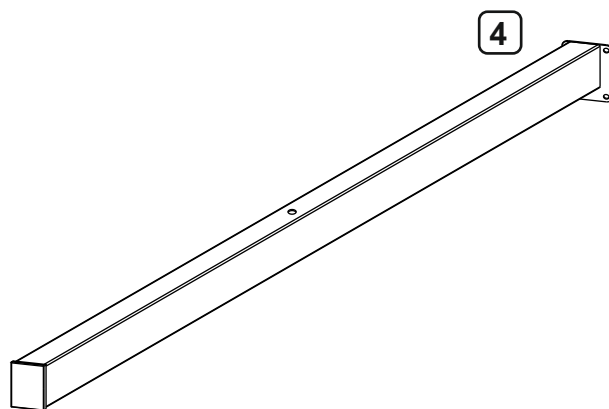
18.58.1105.201 x 1



18.58.1105.202 x 1

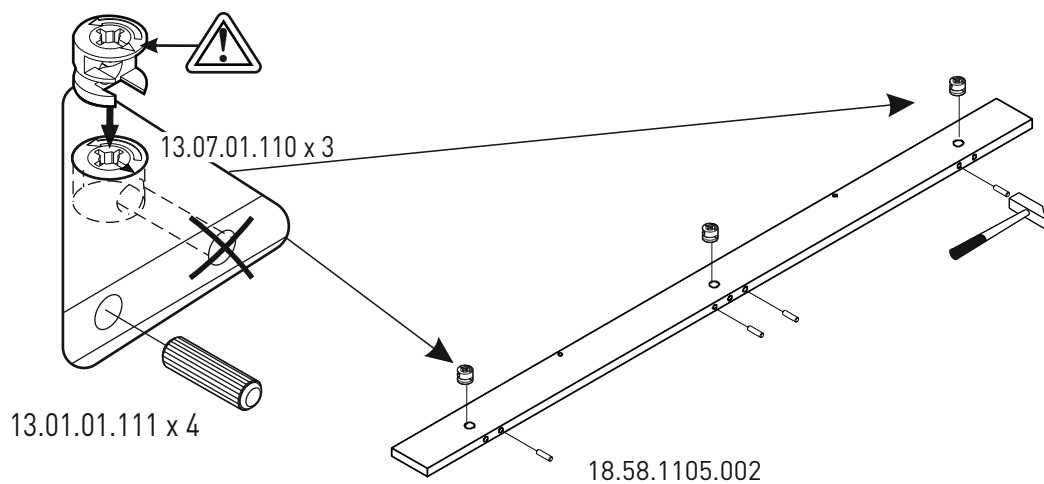


18.58.1105.203 x 1

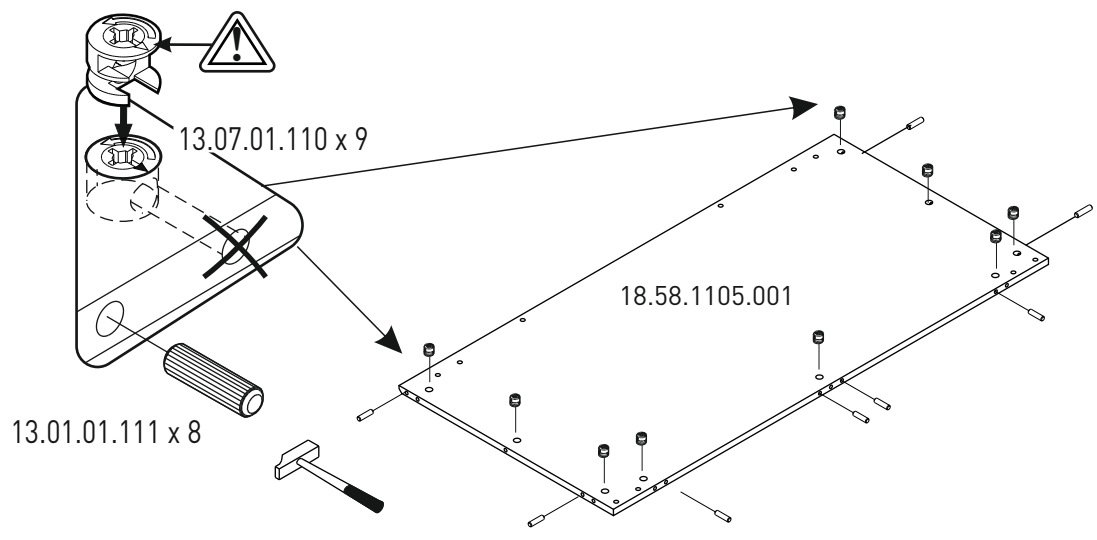


18.58.1105.204 x 1

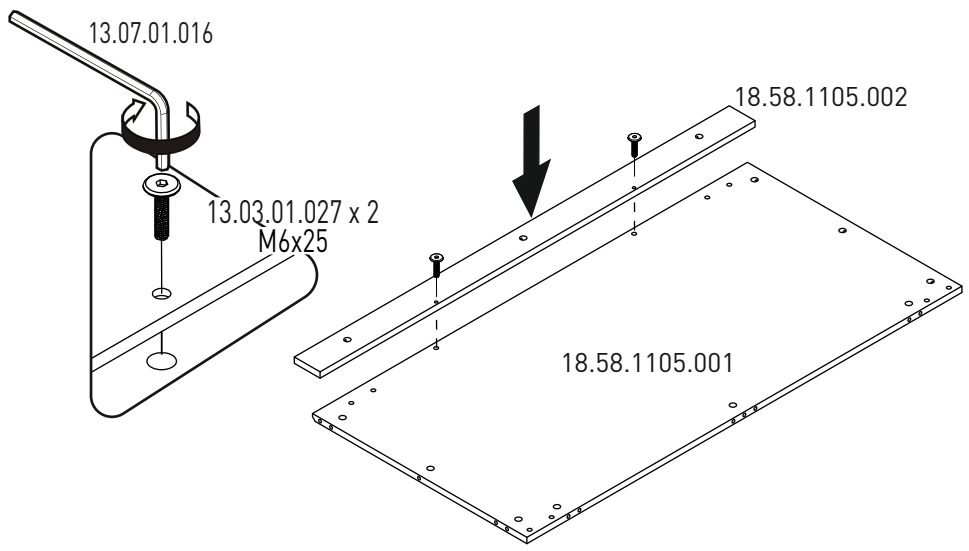
1



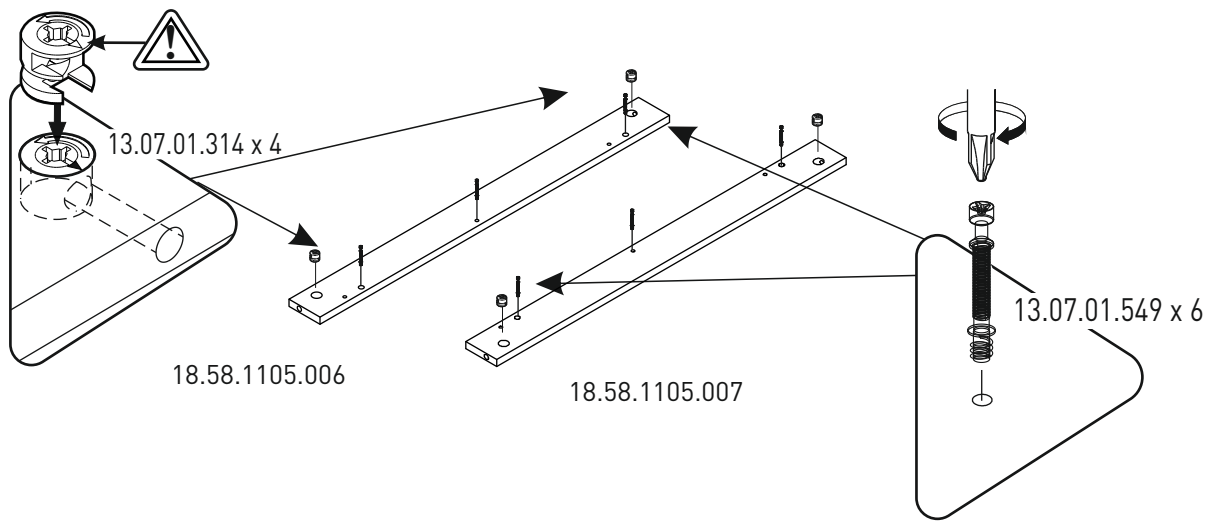
2



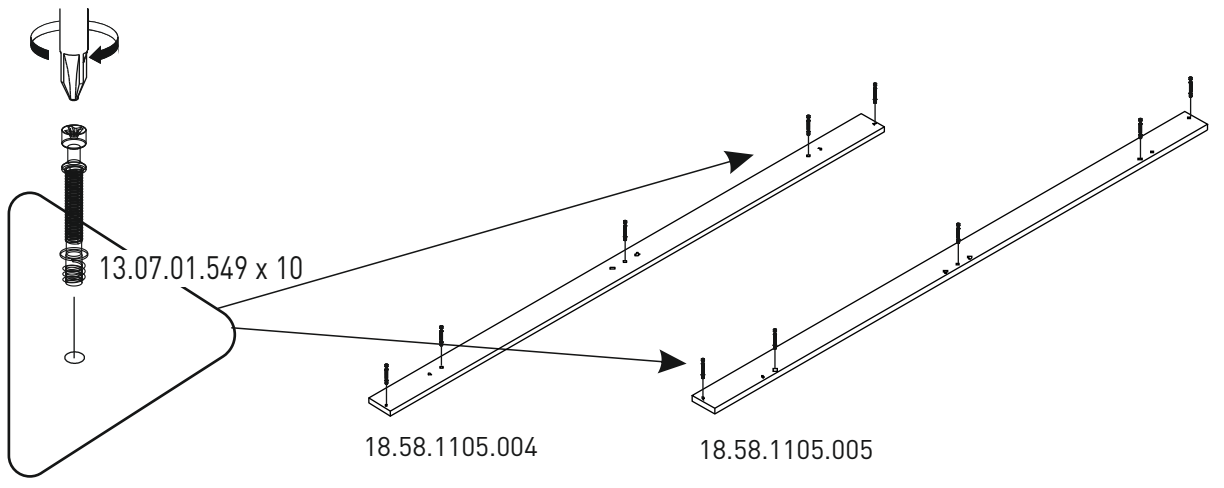
3



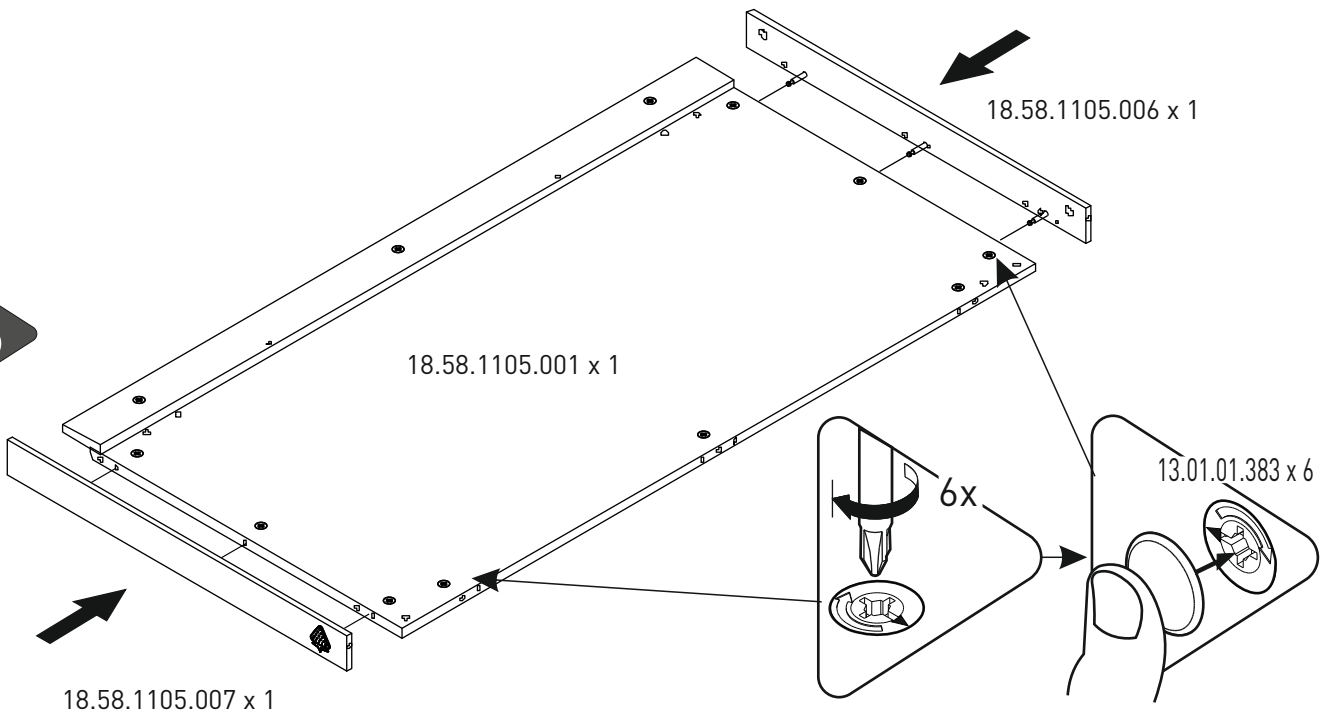
4



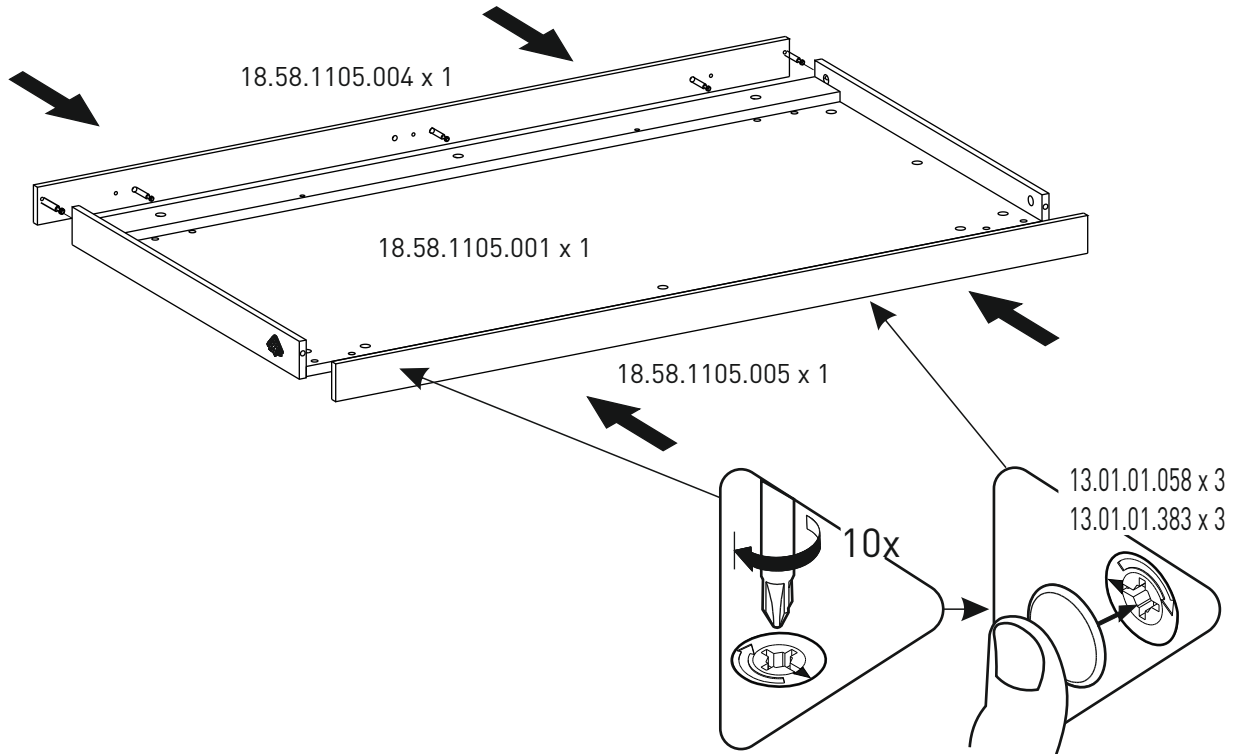
5



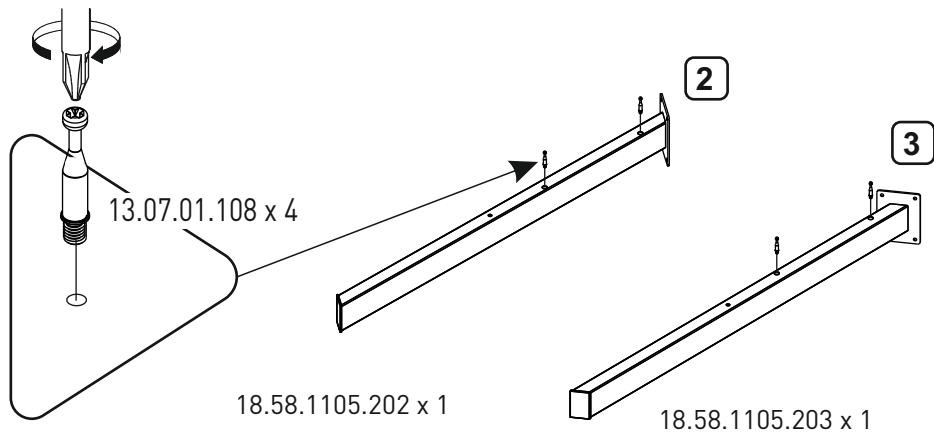
6



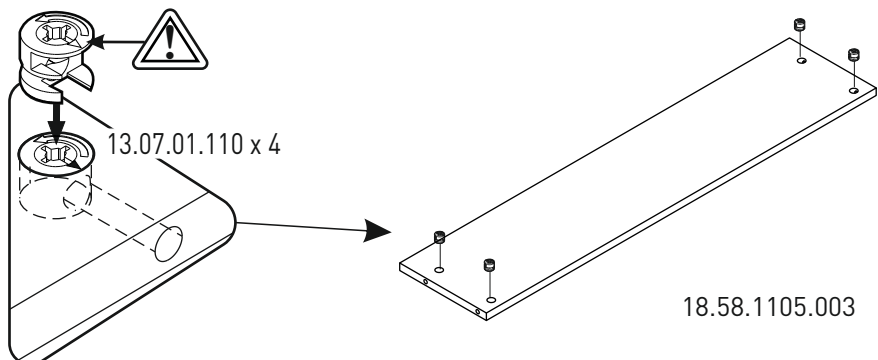
7



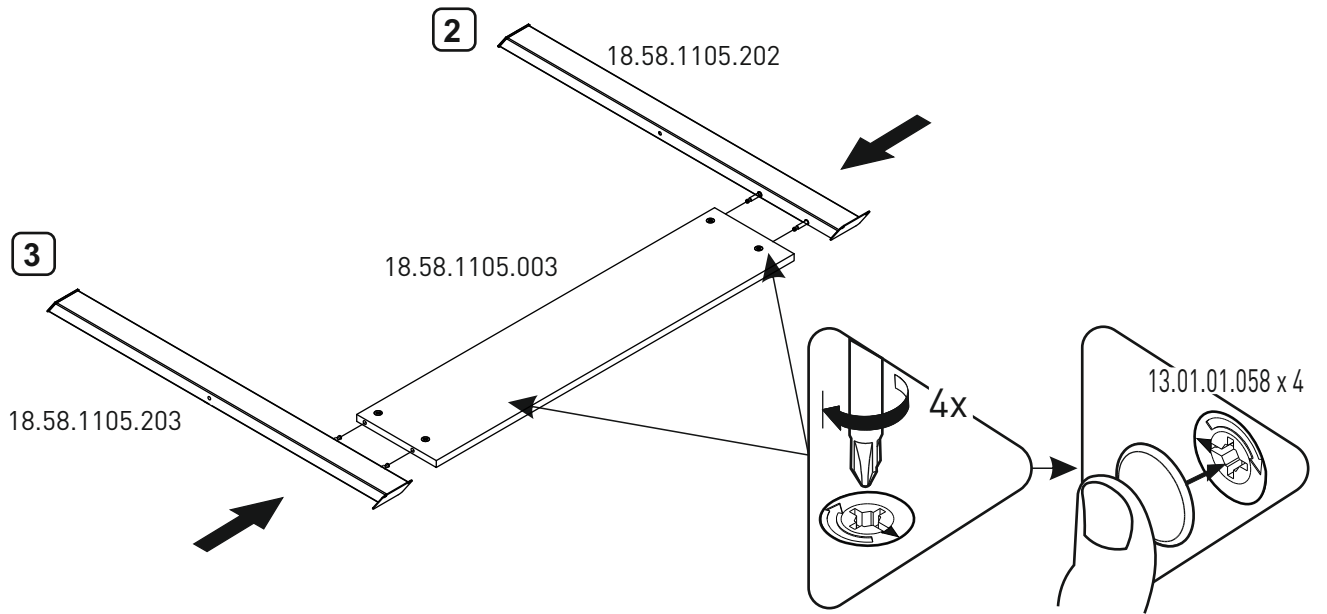
8



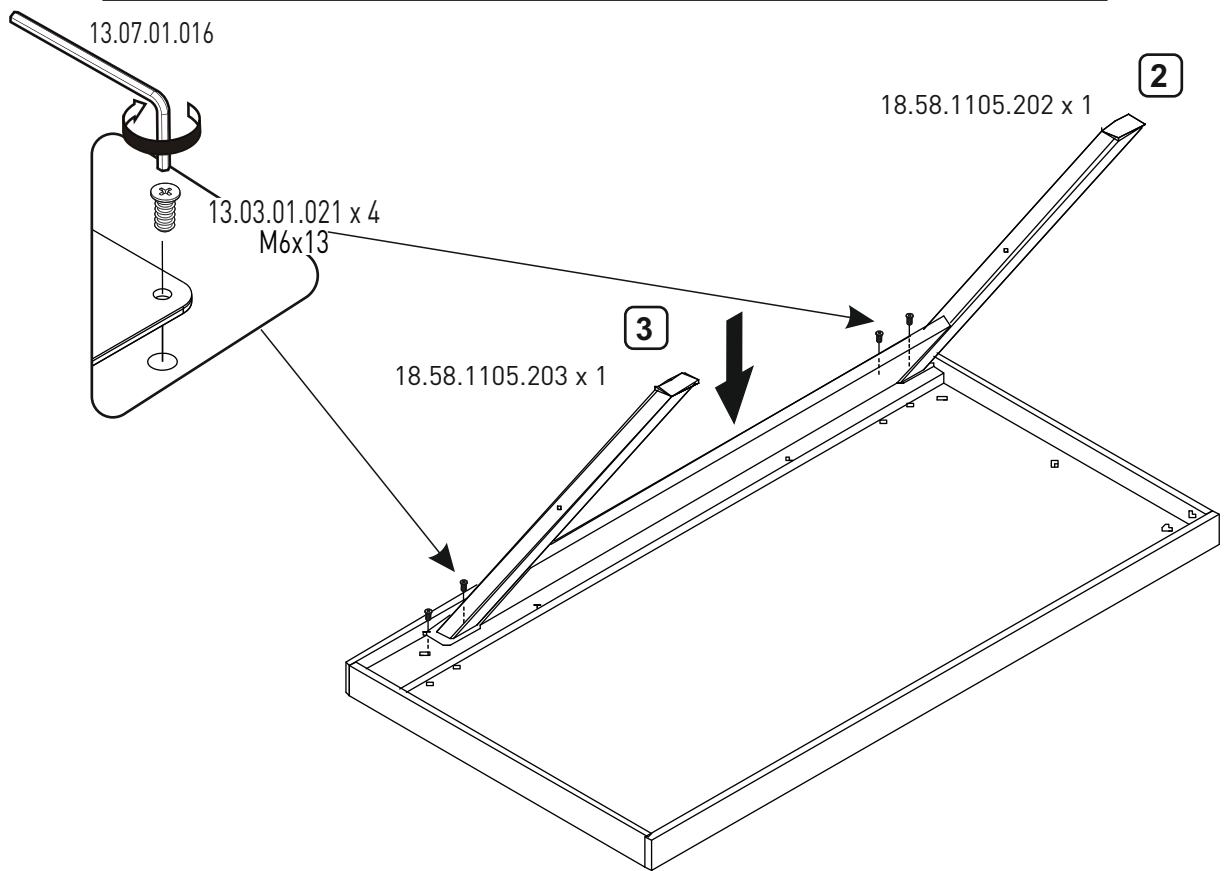
9



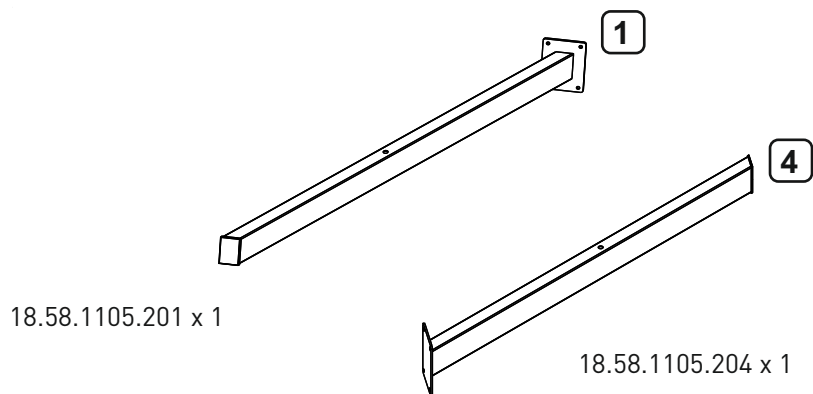
10



11



12



13

