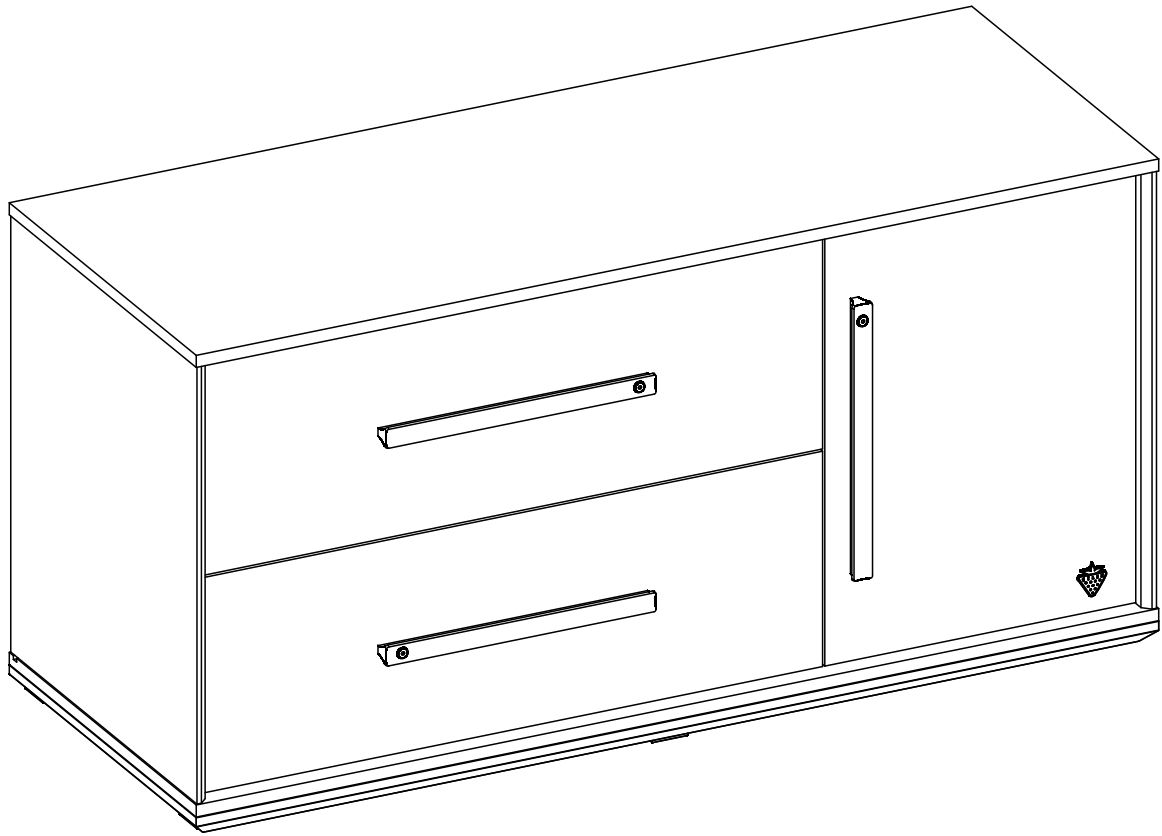
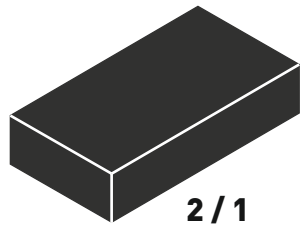
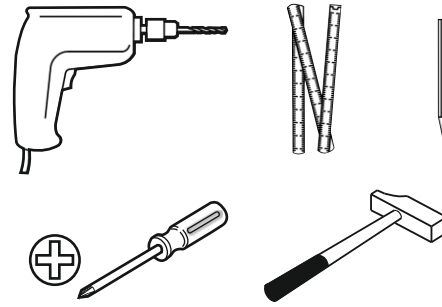
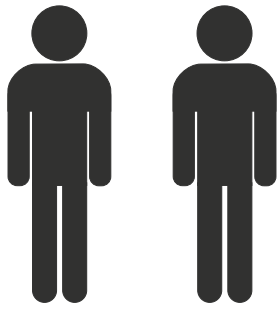
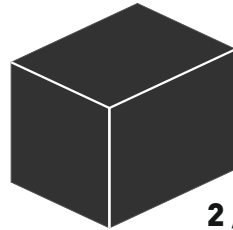


20.73.1203.00

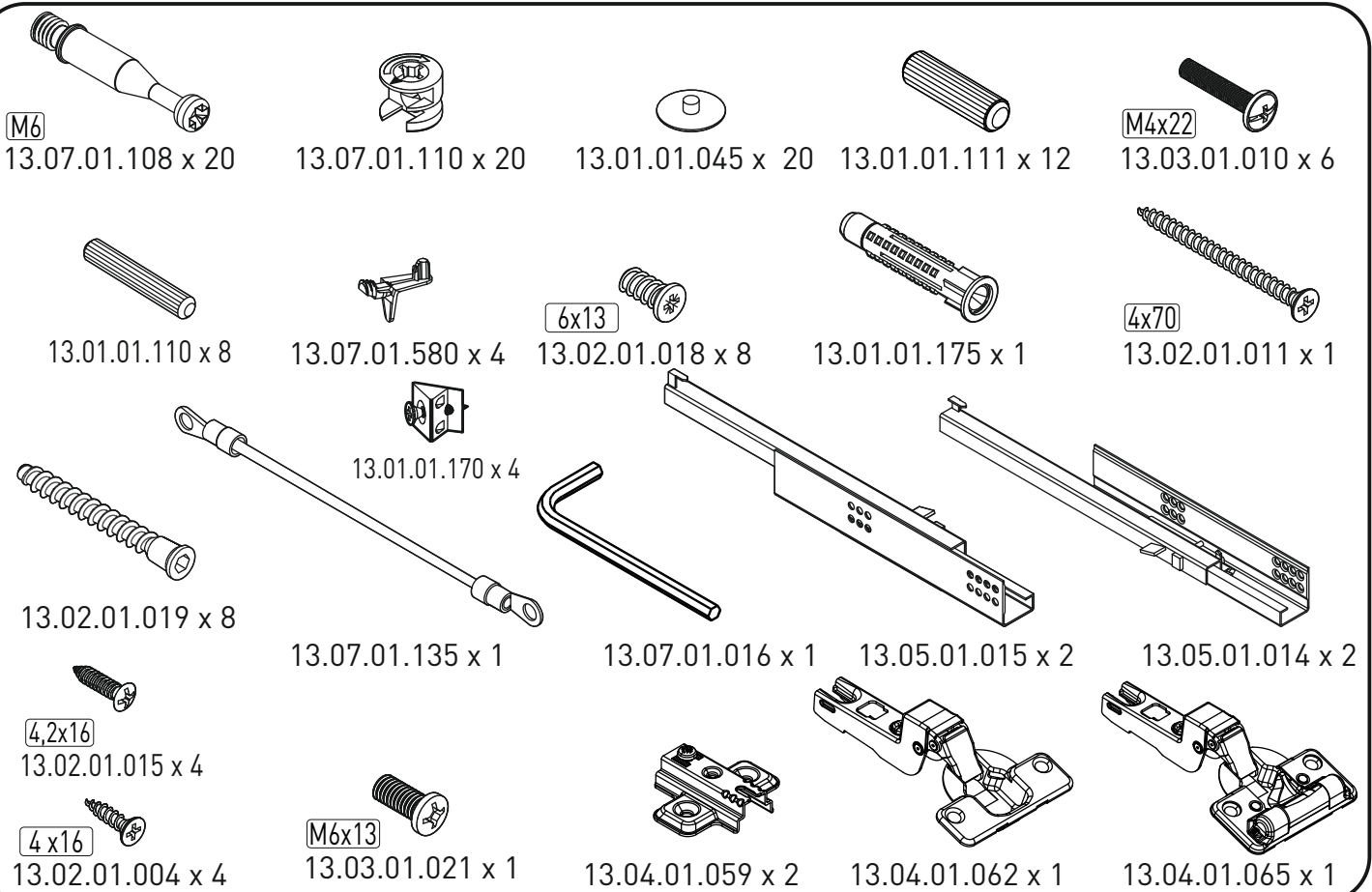




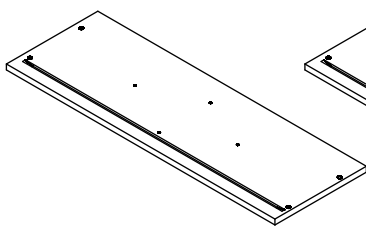
2 / 1



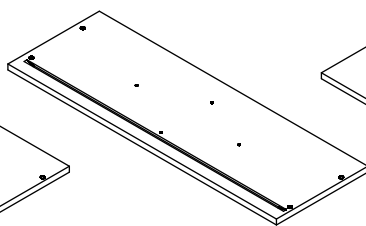
2 / 2



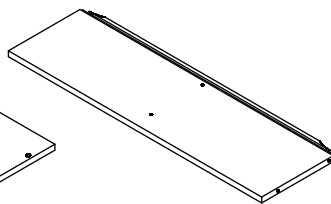
2 / 1



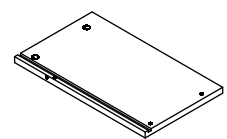
18.73.1203.008 x 1



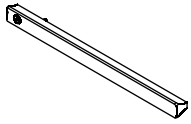
18.73.1203.009 x 1



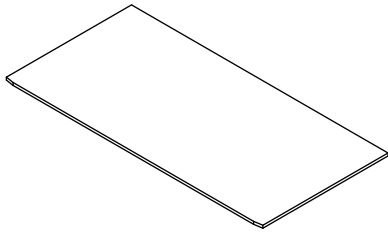
18.73.1203.012 x 2



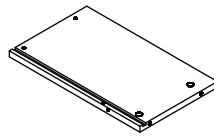
18.73.1203.010 x 2



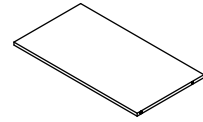
13.06.01.176 x 3



18.73.1203.014 x 2

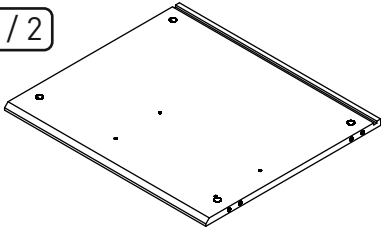


18.73.1203.011 x 2

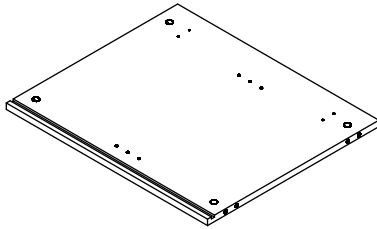


18.73.1203.013 x 2

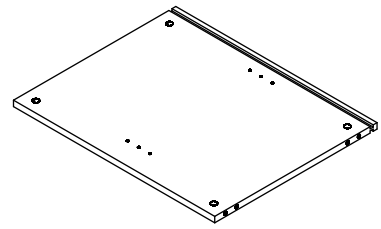
2 / 2



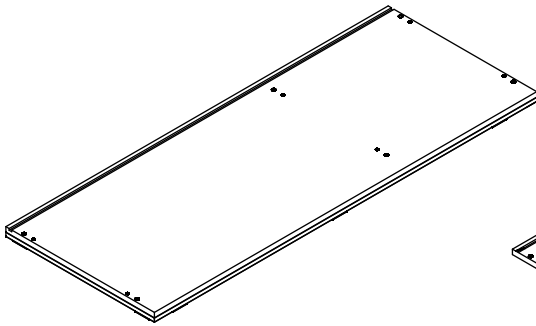
18.73.1203.001 x 1



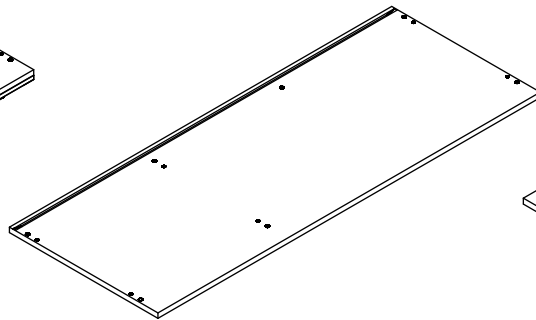
18.73.1203.002 x 1



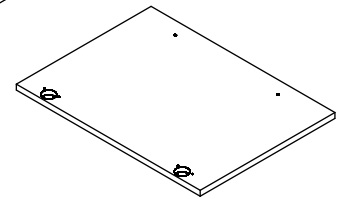
18.73.1203.005 x 1



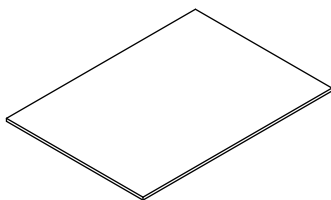
18.73.1203.003 x 1



18.73.1203.004 x 1

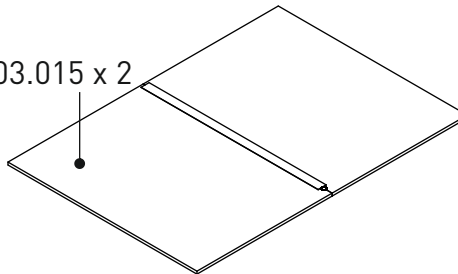


18.73.1203.006 x 1

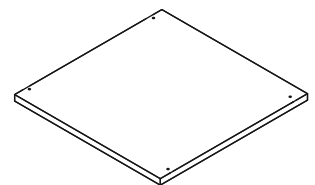


18.73.1203.016 x 1

18.73.1203.015 x 2

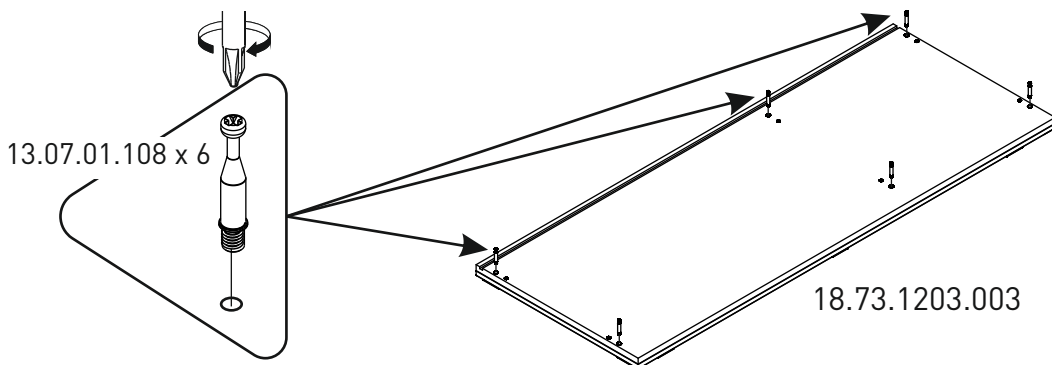


18.73.1203.017 x 1

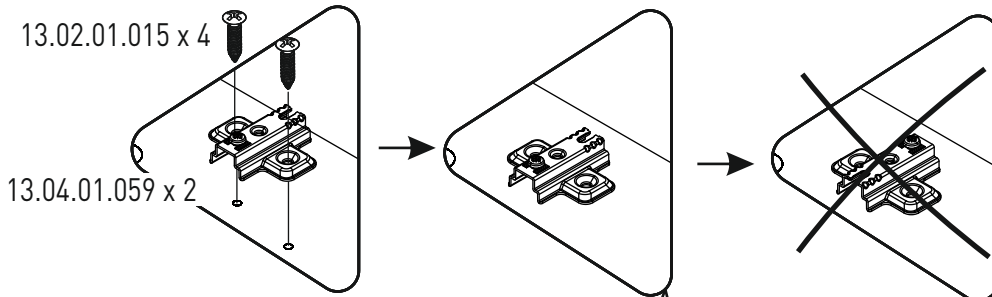
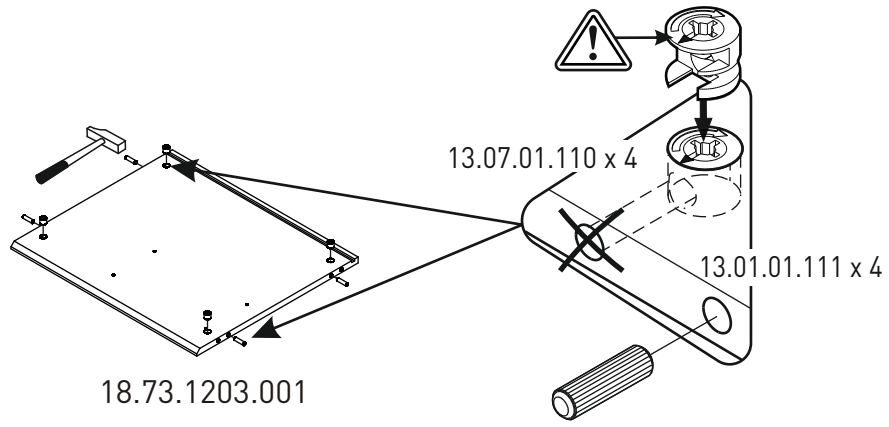


18.73.1203.007 x 1

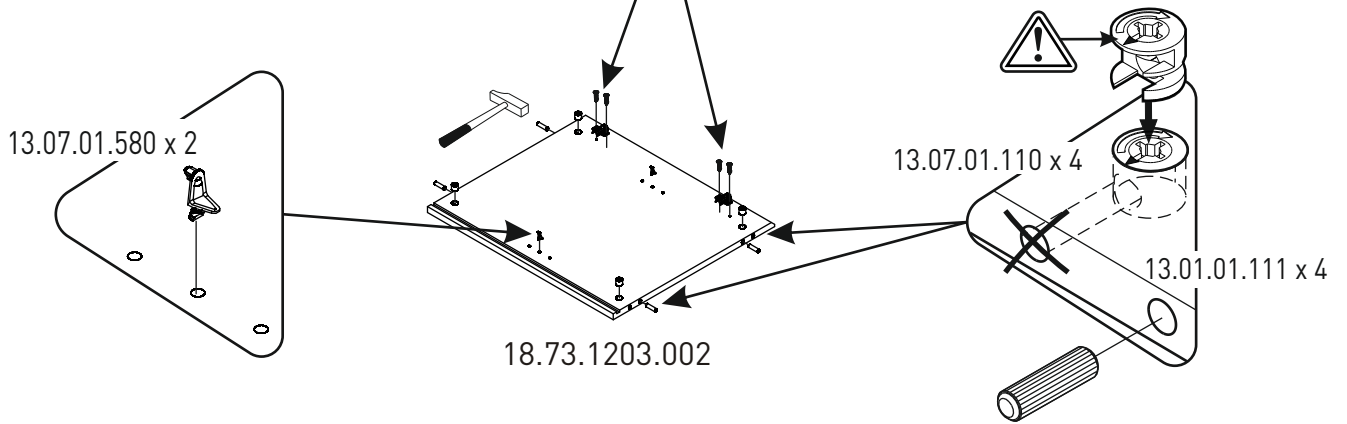
1



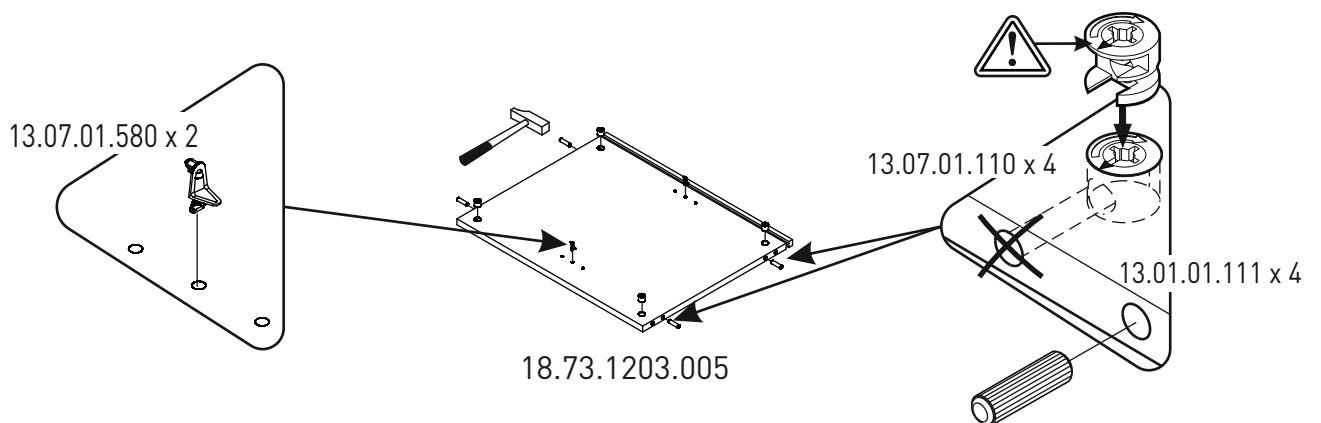
2



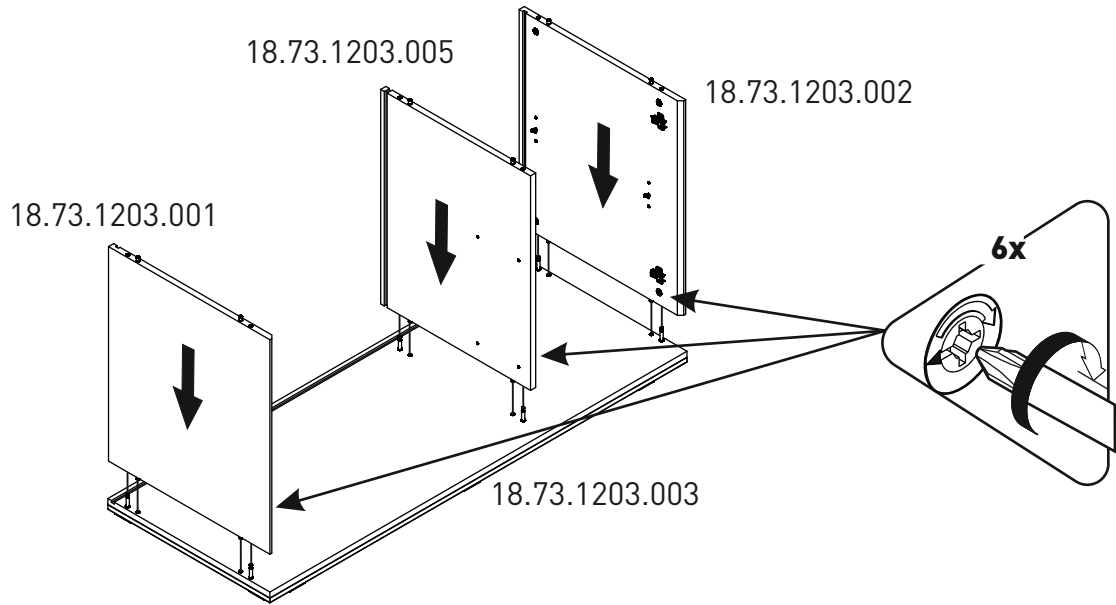
3



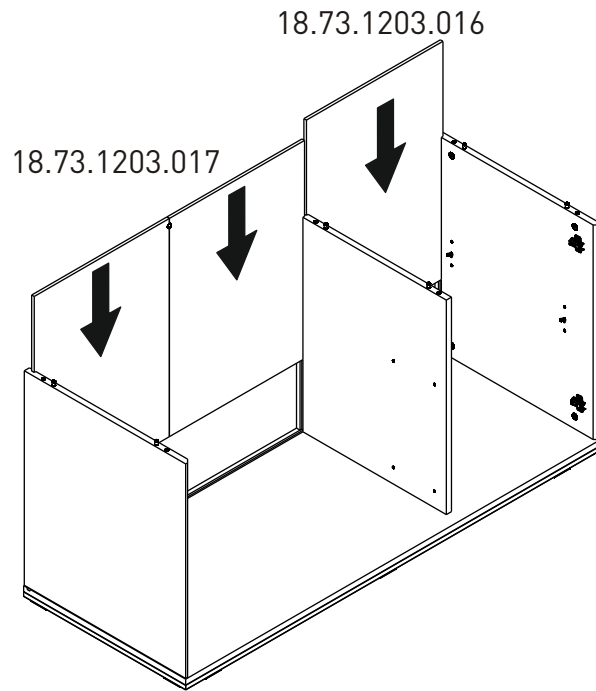
4



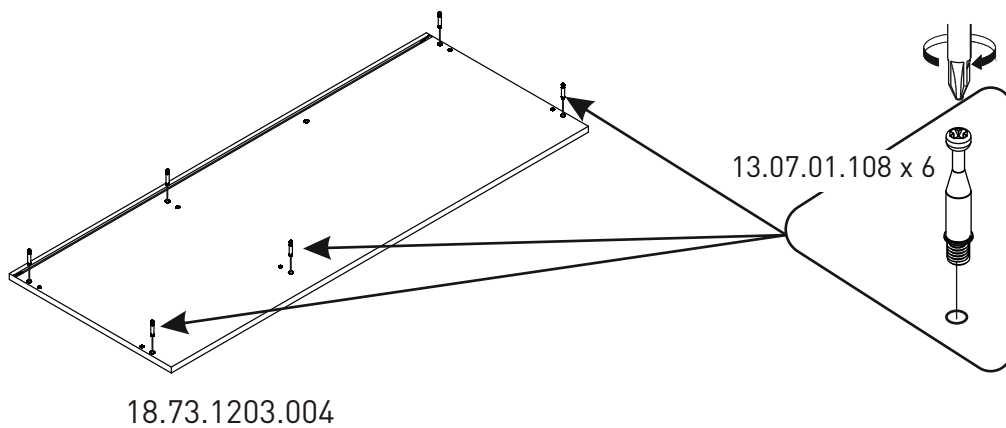
5



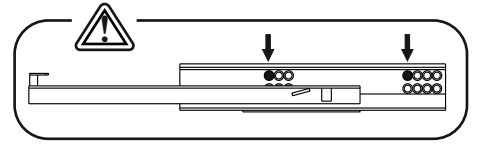
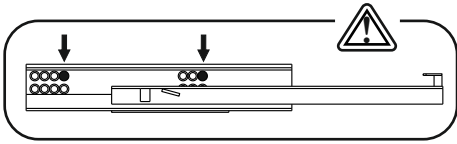
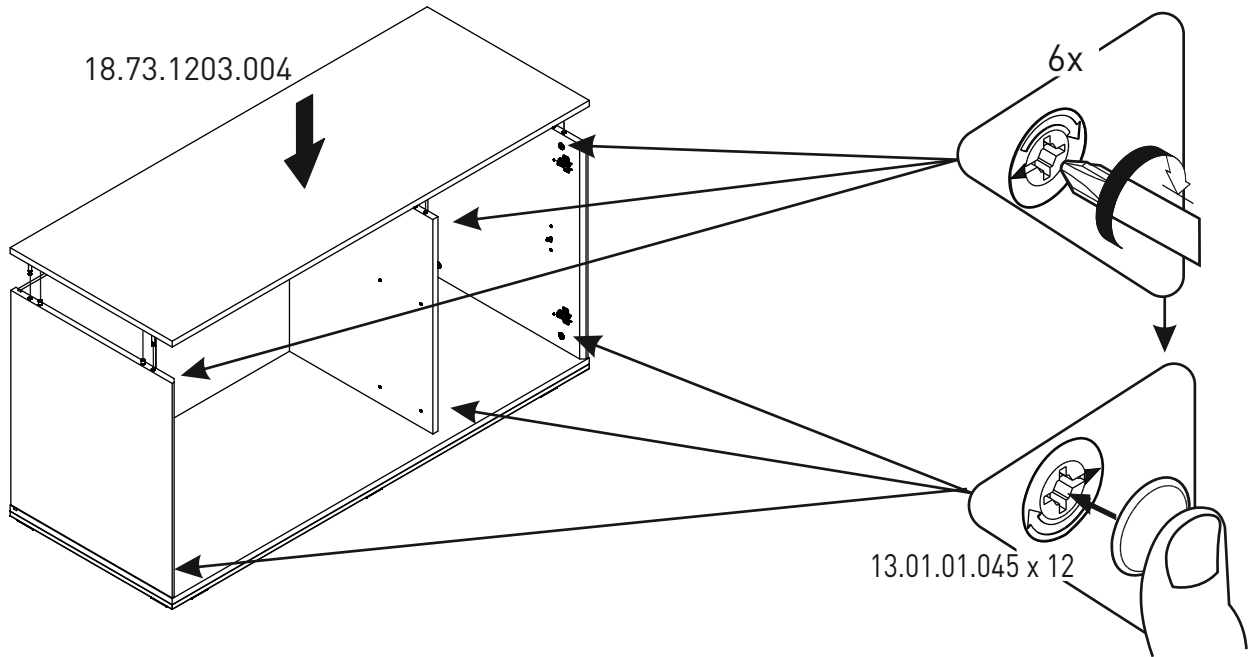
6



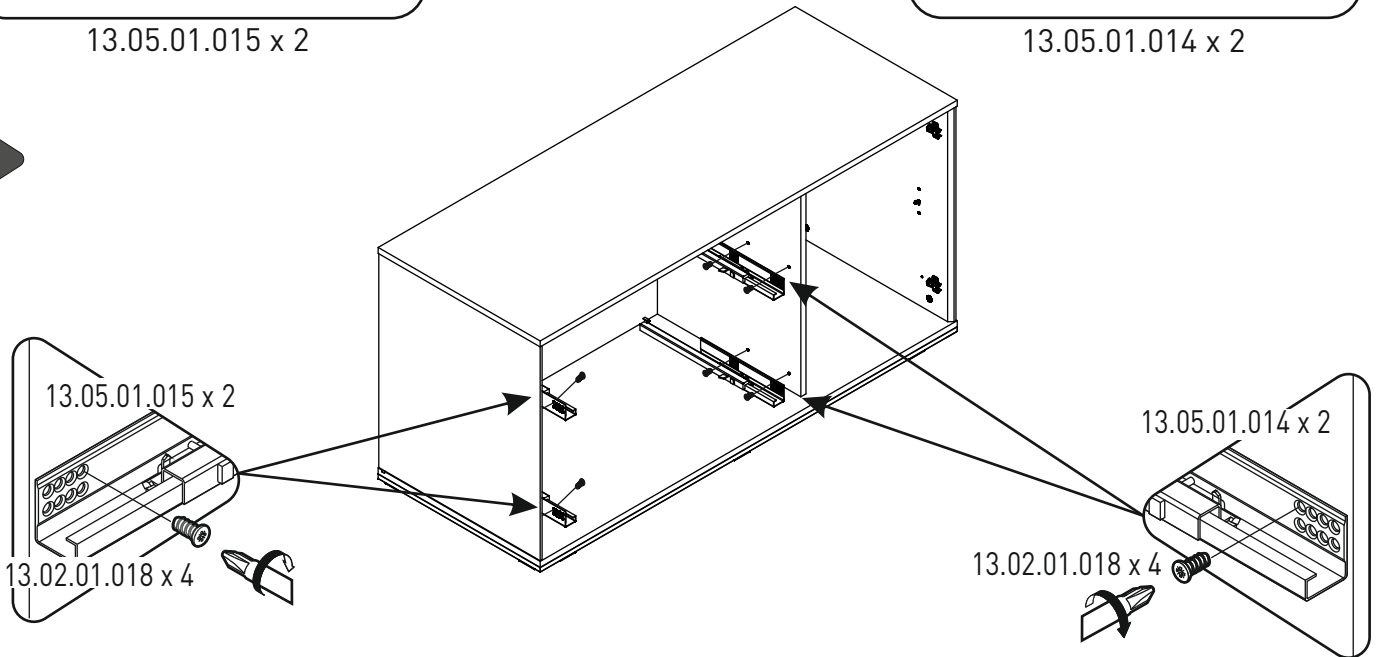
7



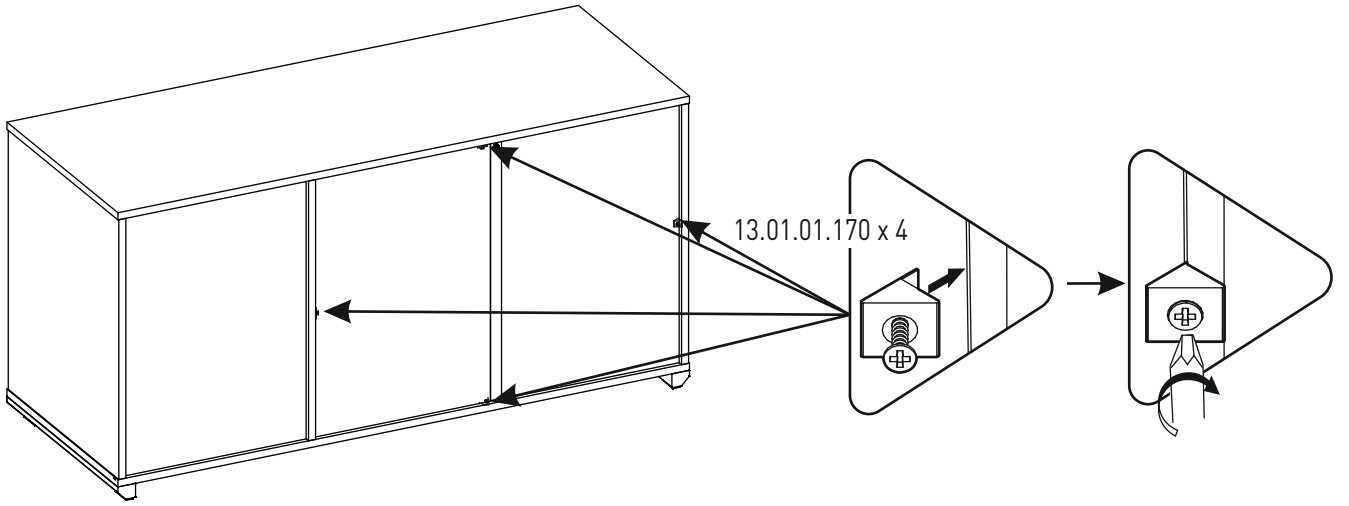
8



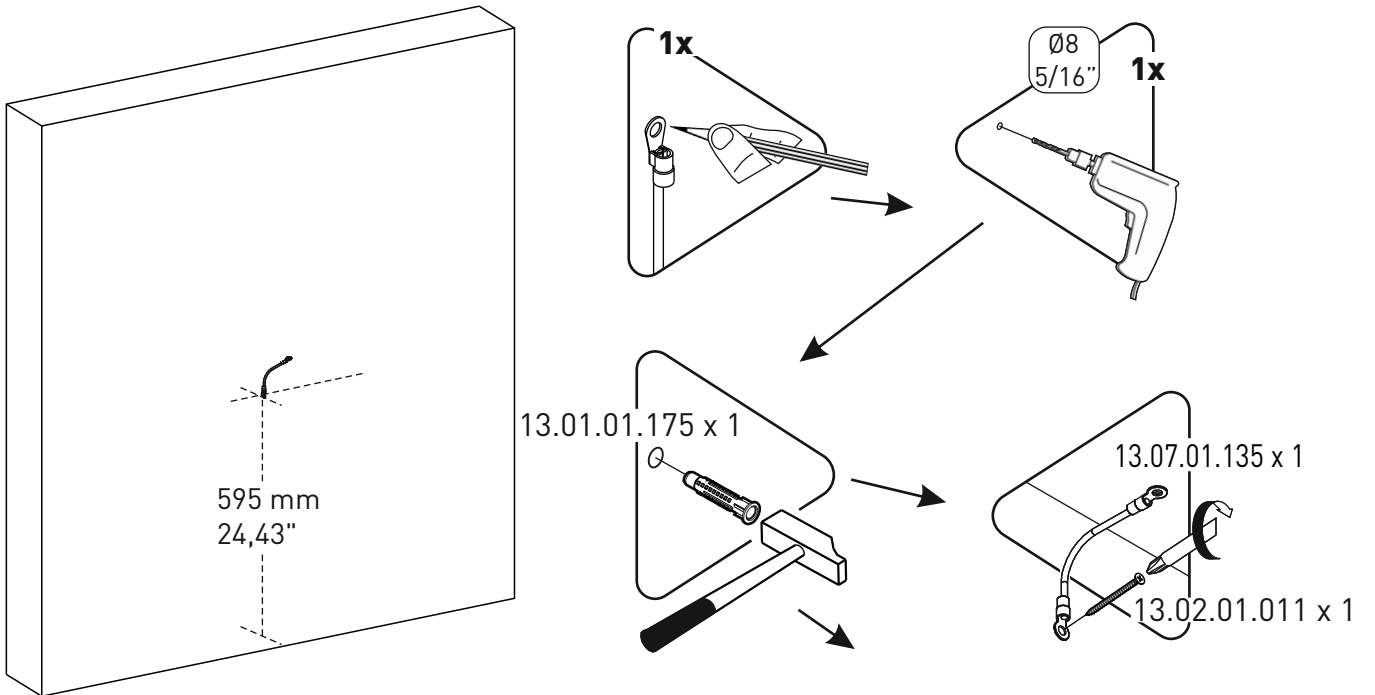
9



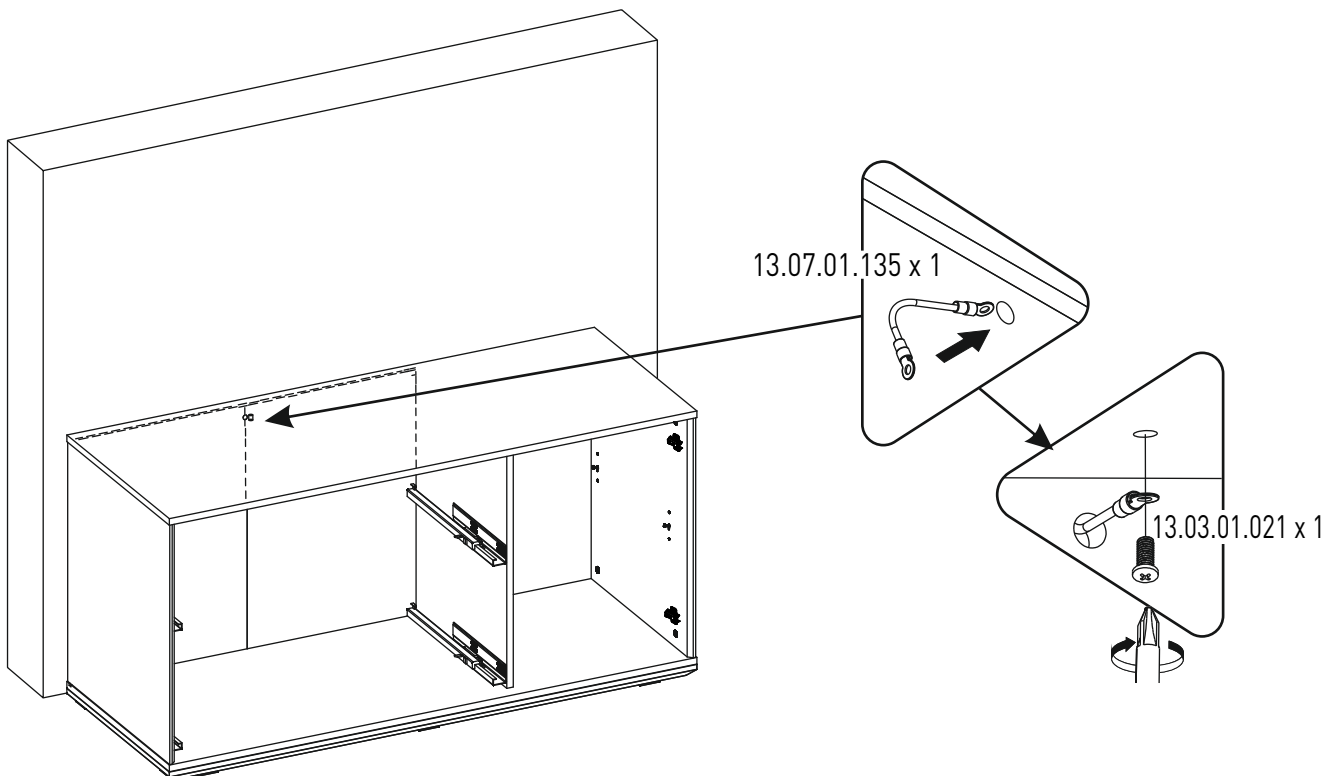
10



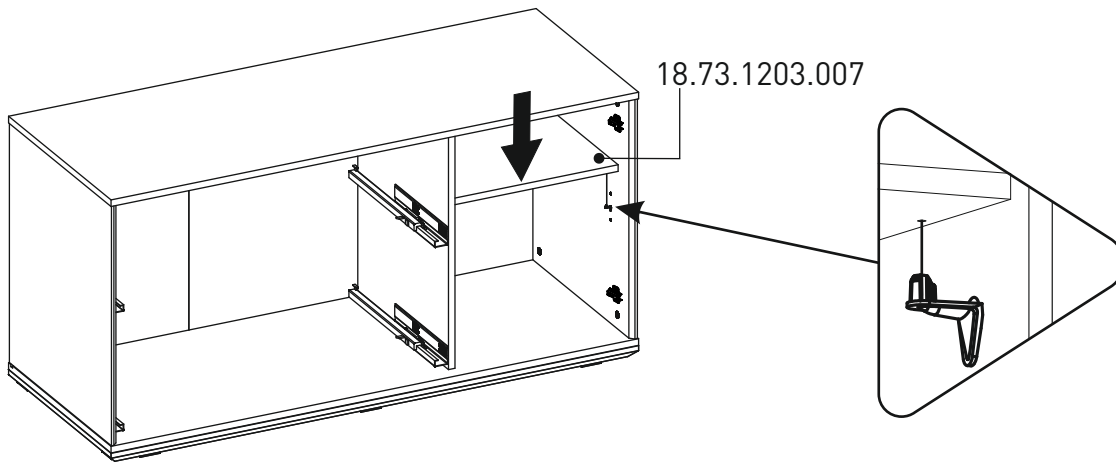
11



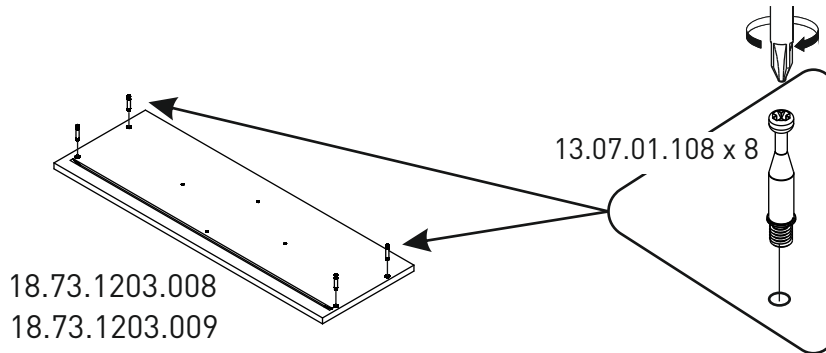
12



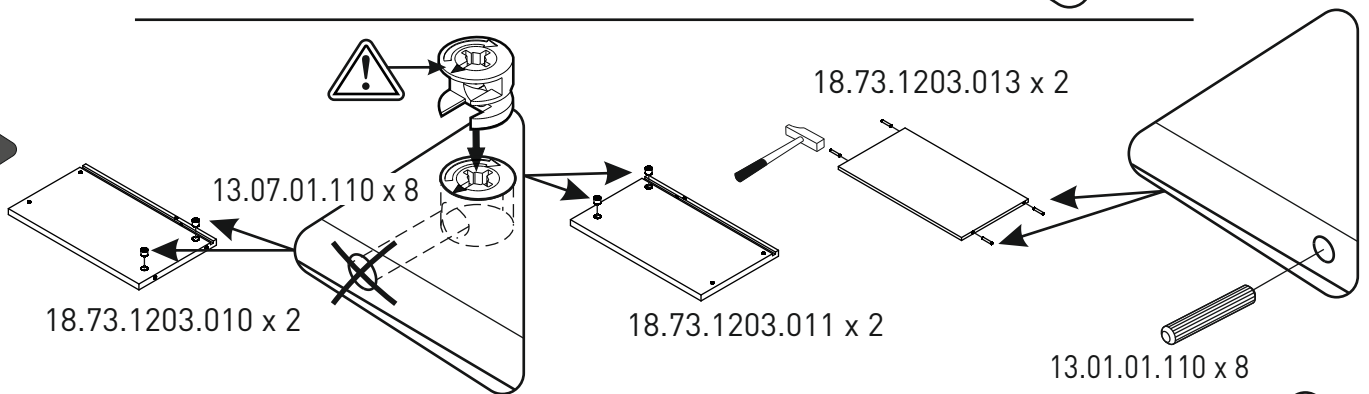
13



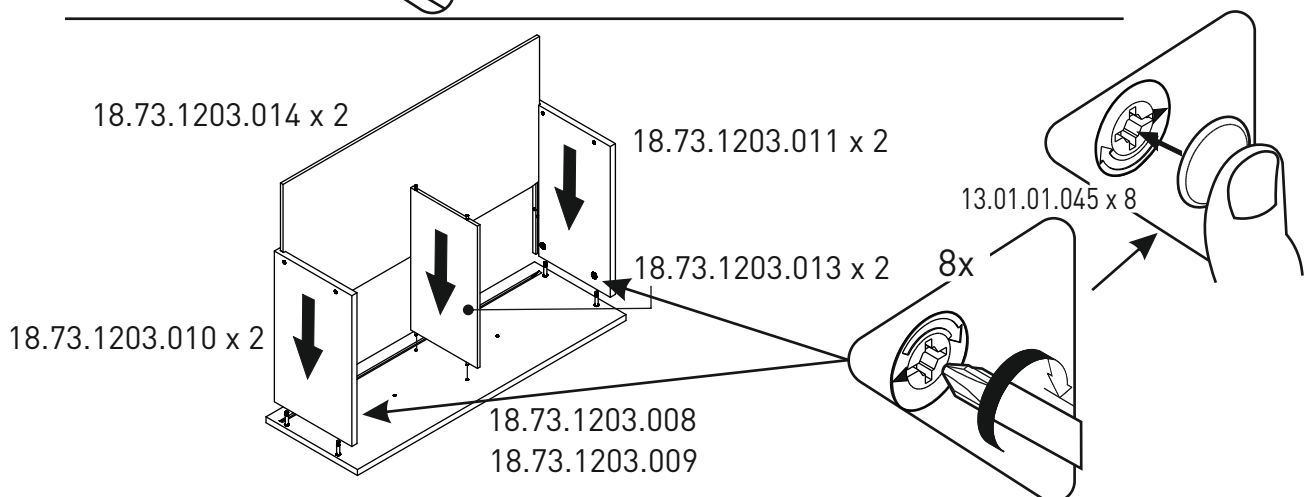
14



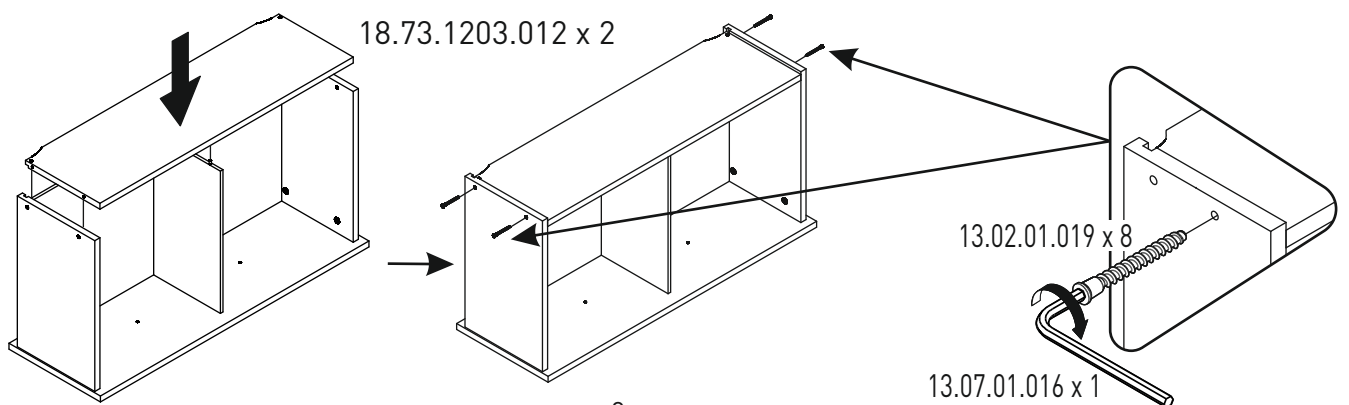
15

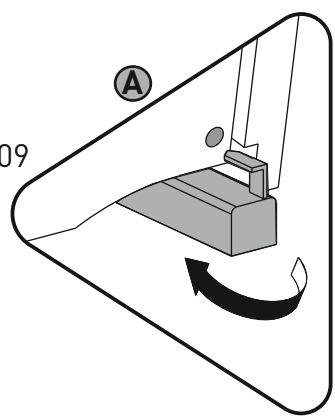
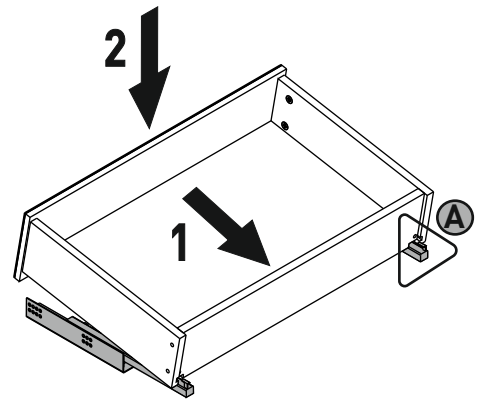
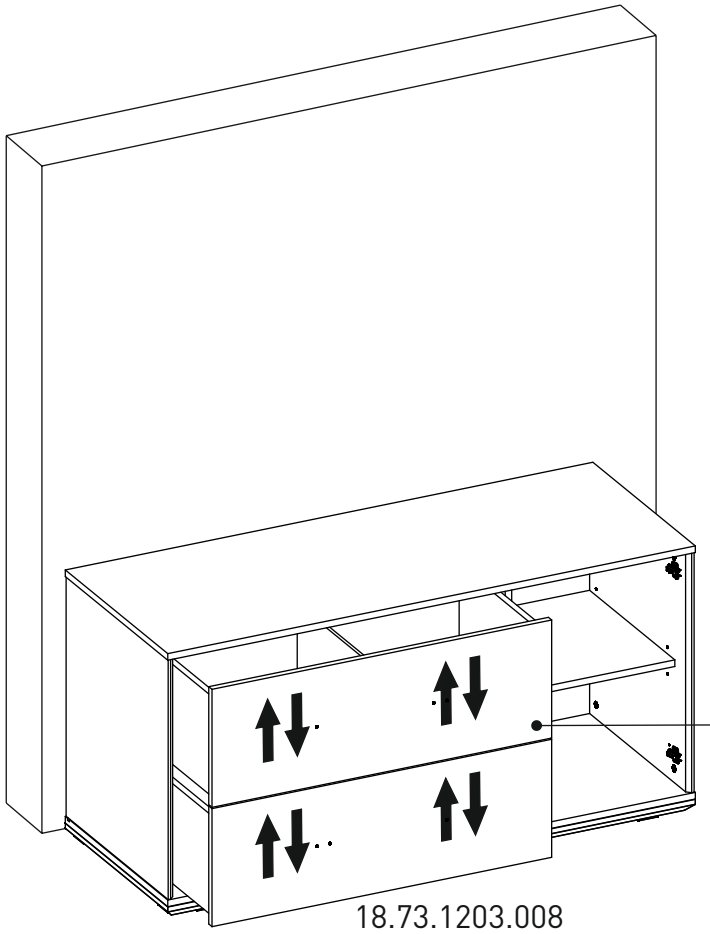


16



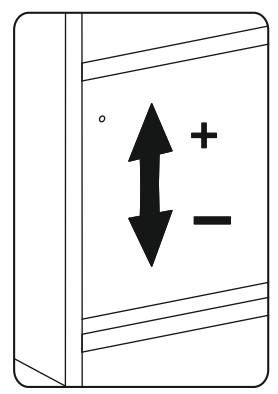
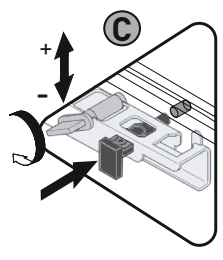
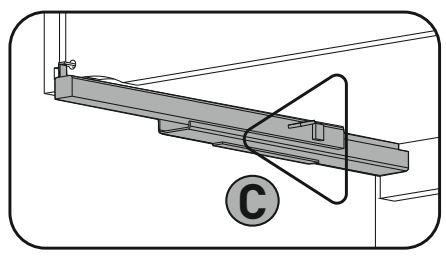
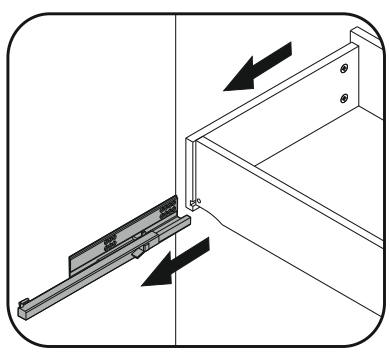
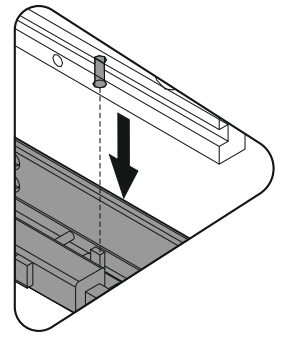
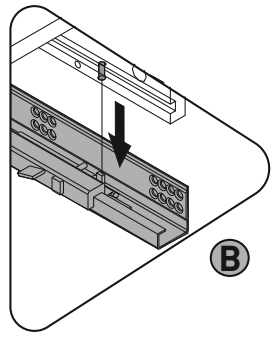
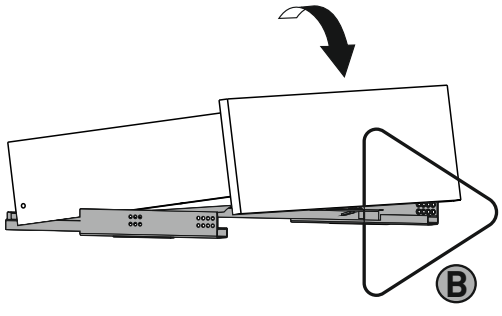
17

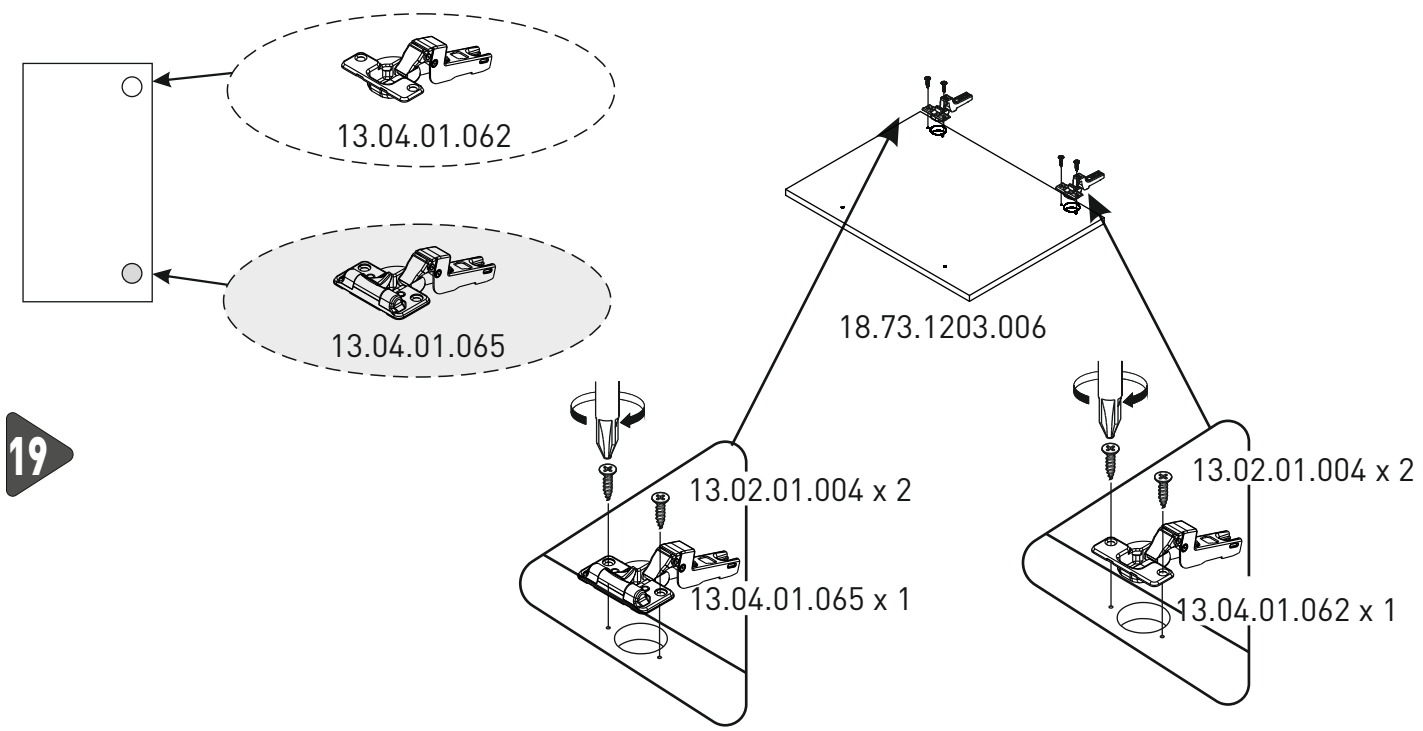




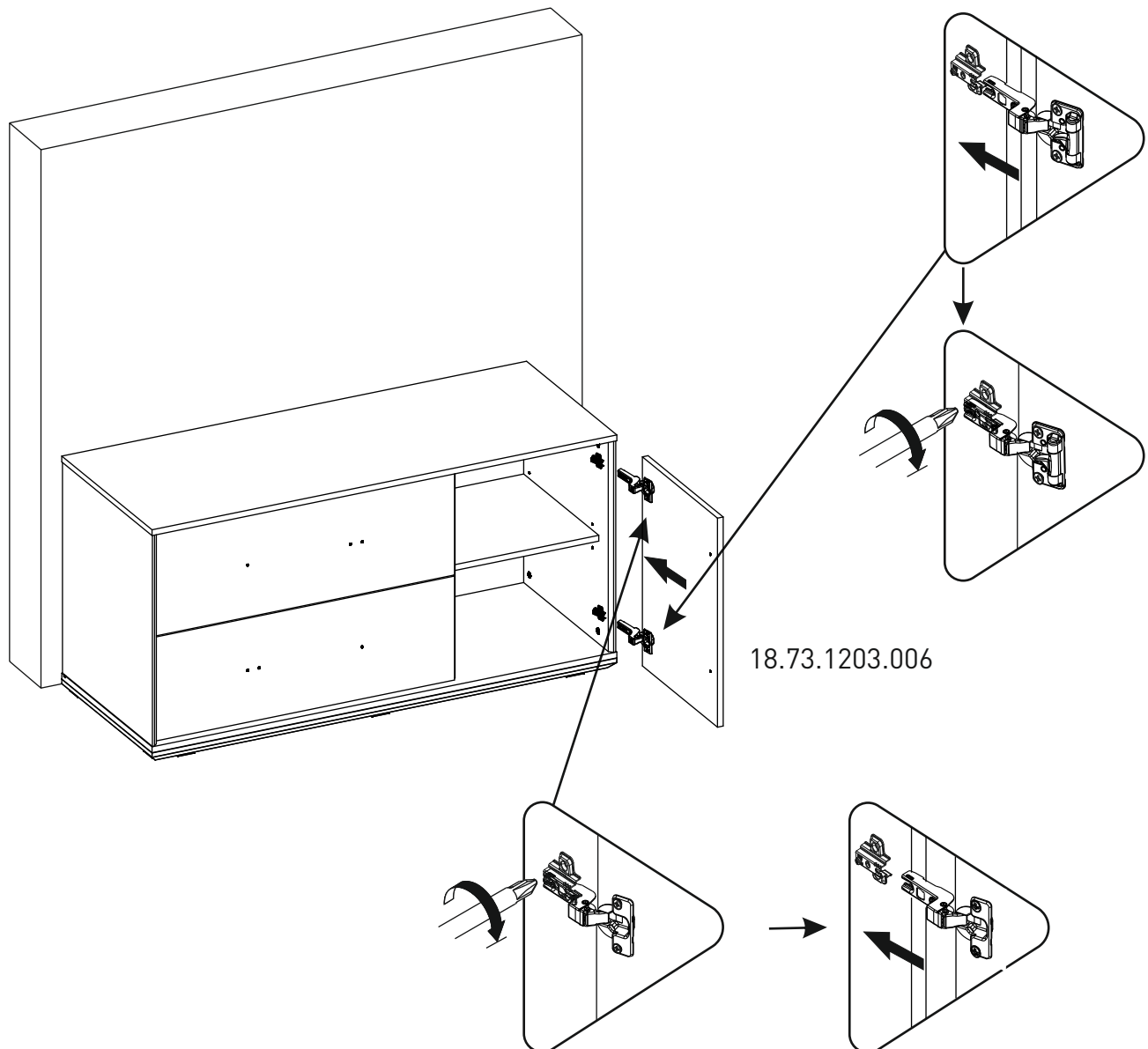
18.73.1203.009

18



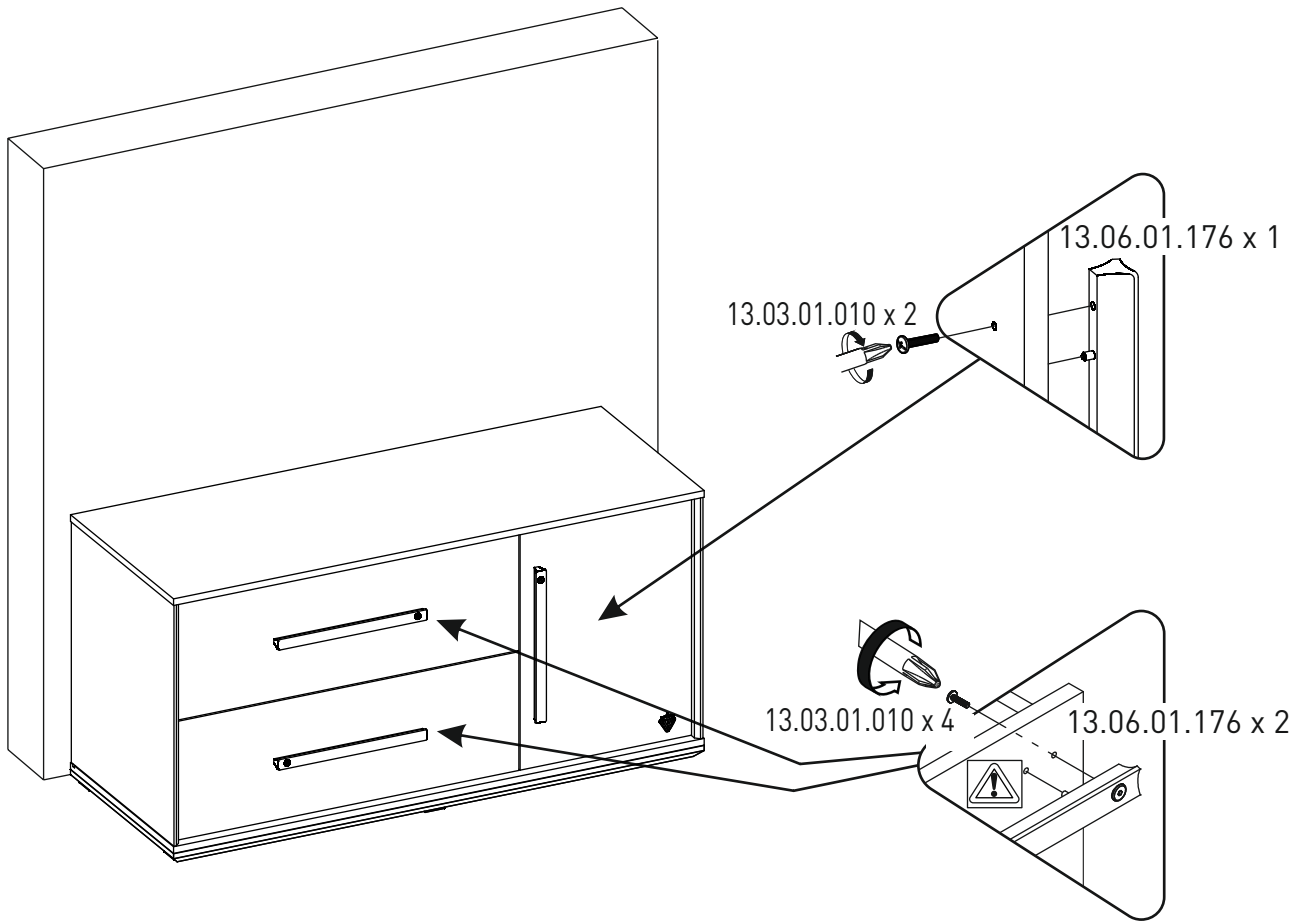


19



20

21



!

