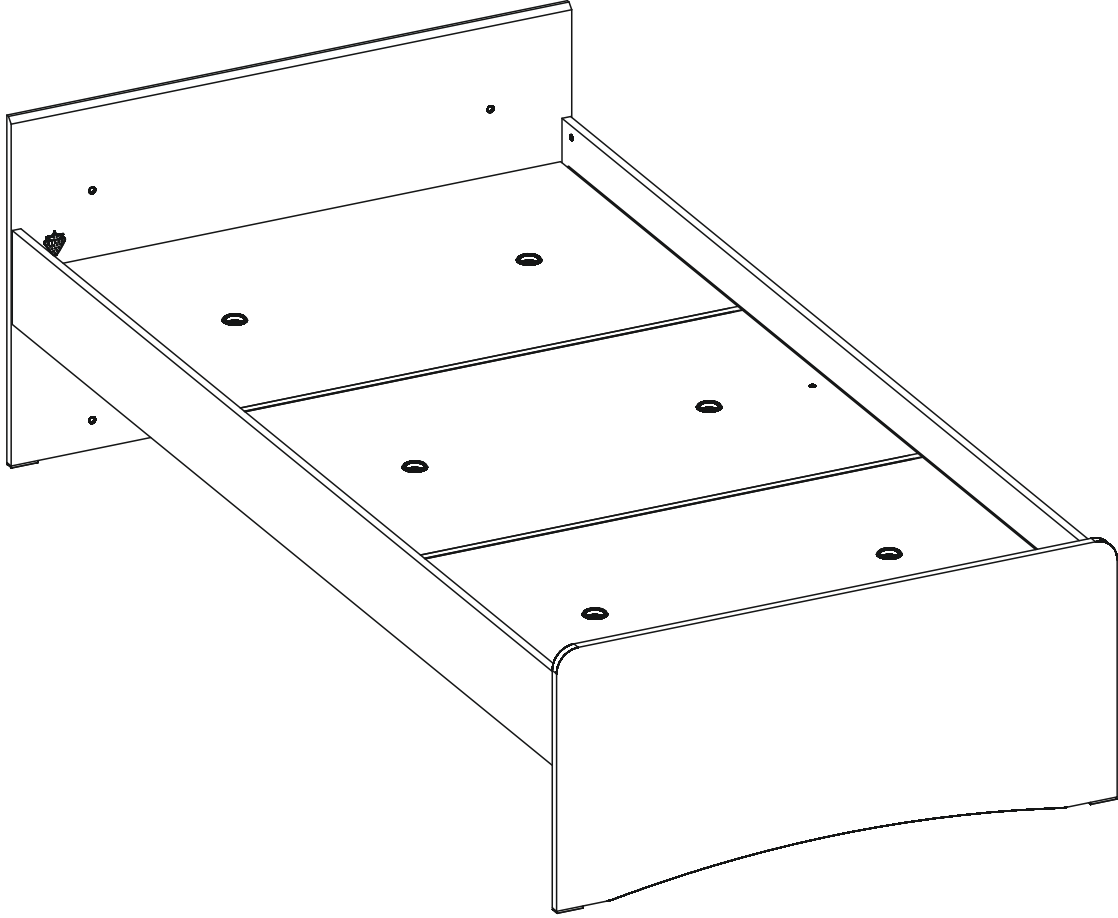


20.30.1317.00

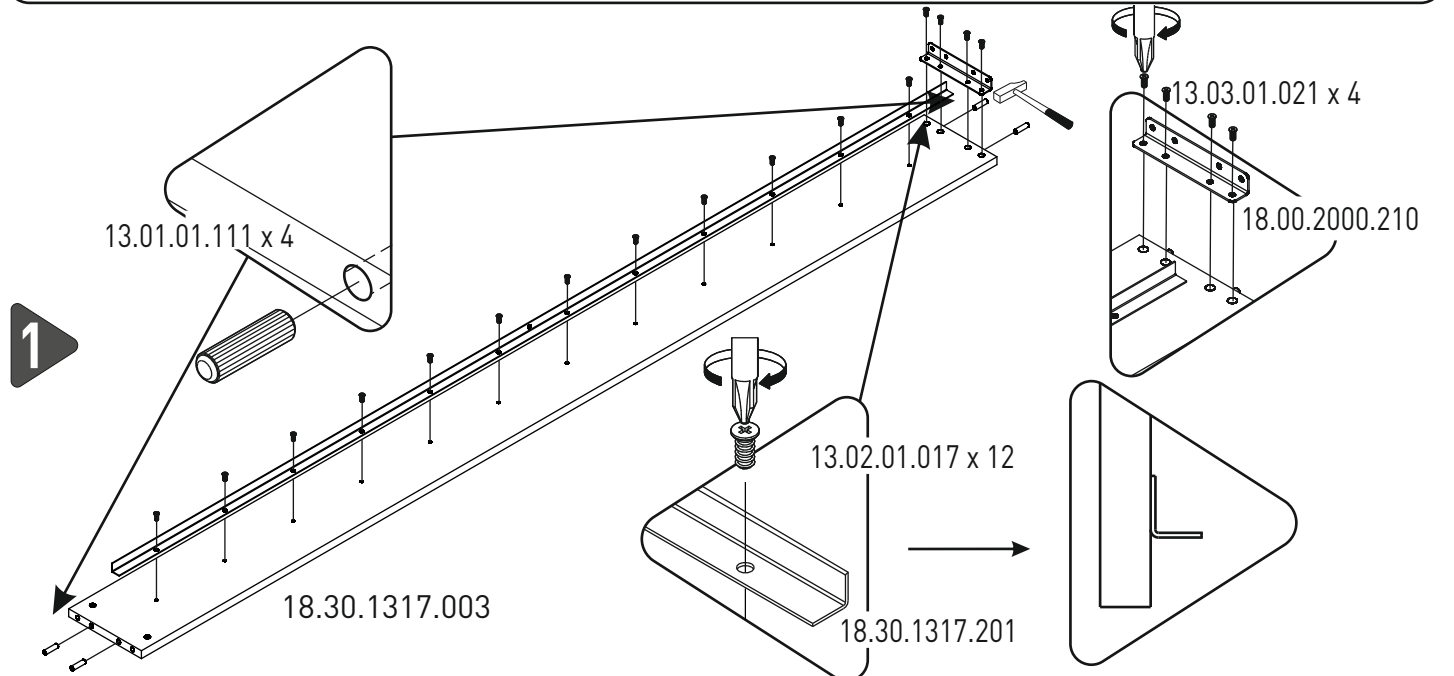
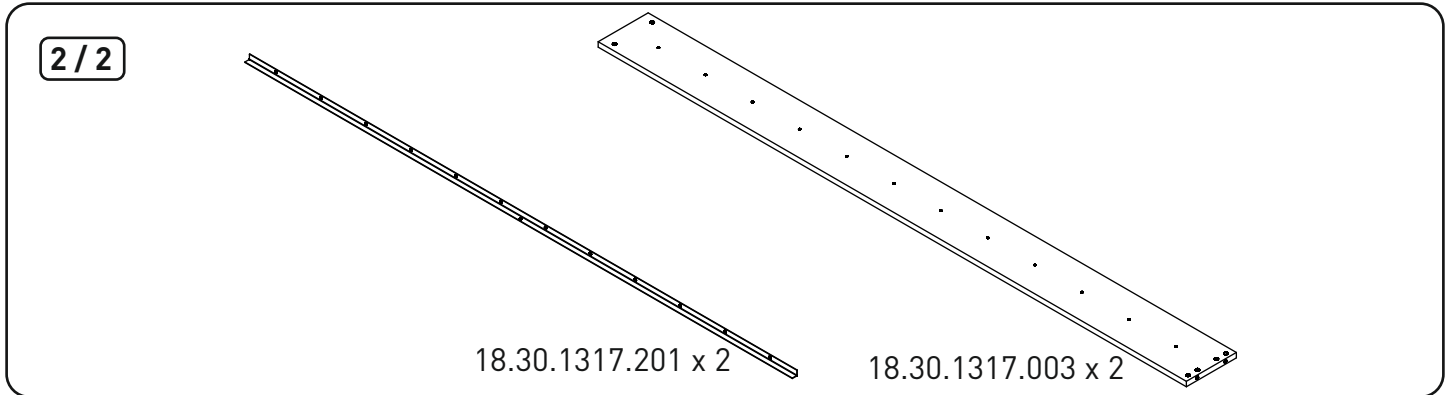
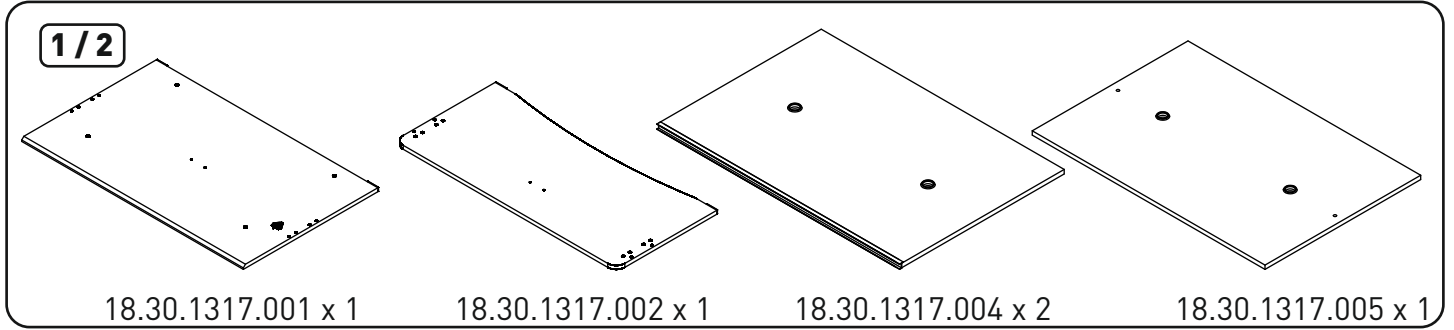
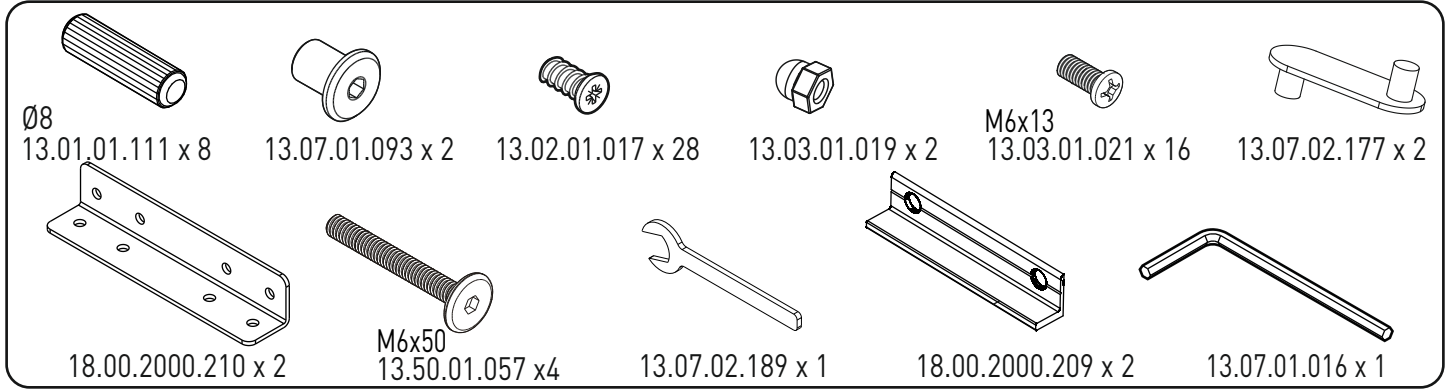
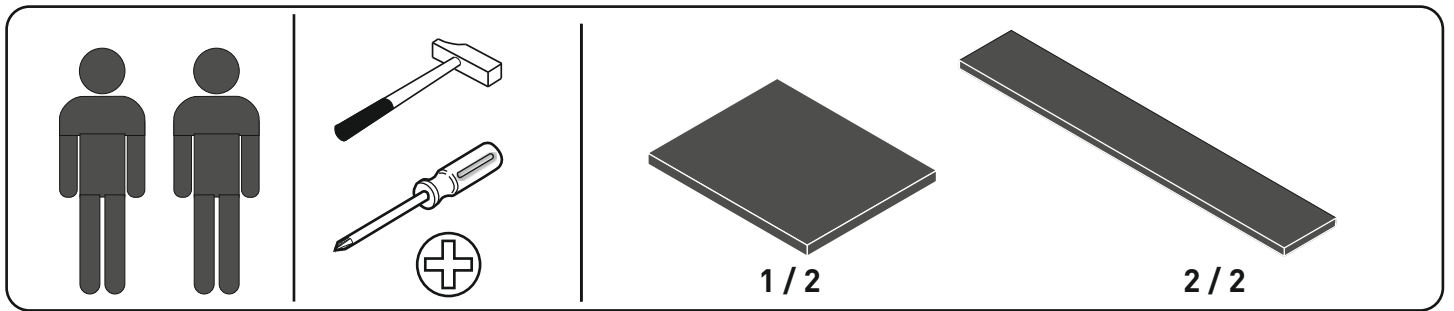


GARANTİ BELGESİ VE
KULLANMA KILAVUZU

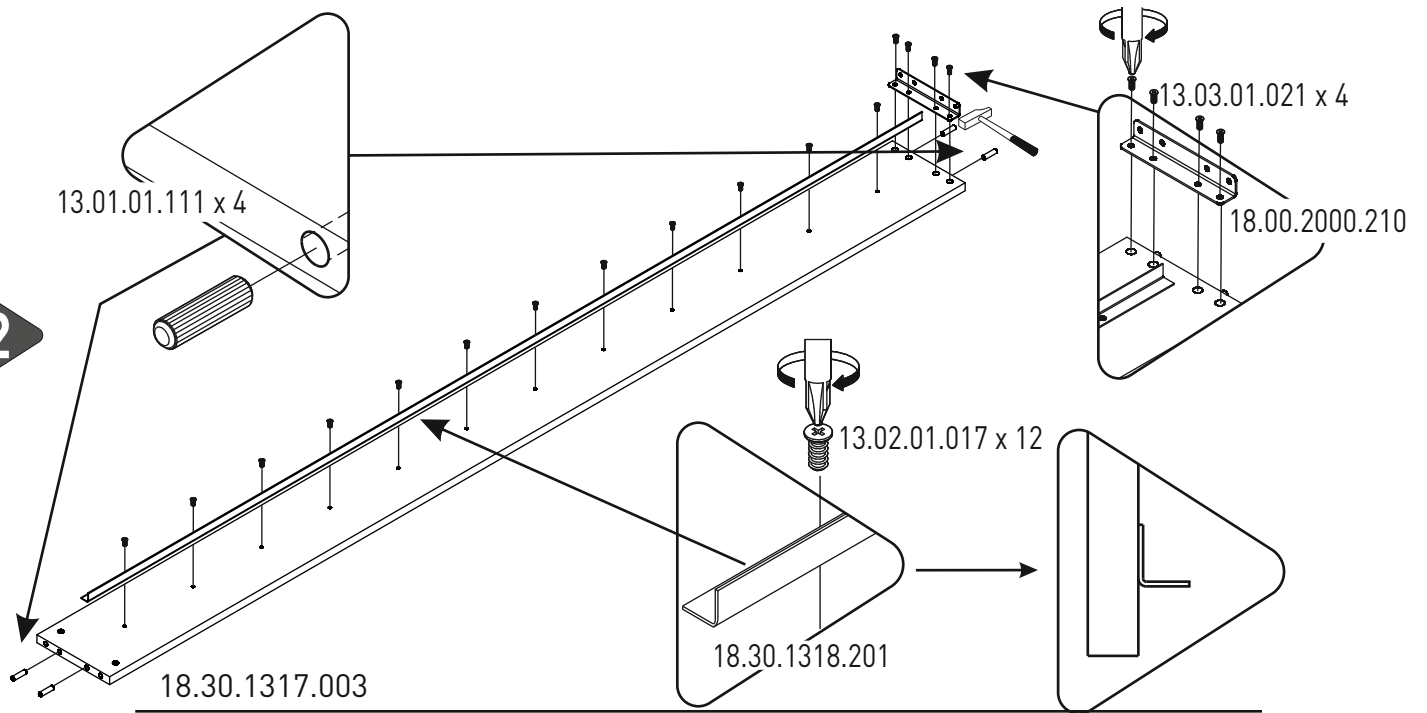


WARRANTY CERTIFICATE
AND USER MANUAL

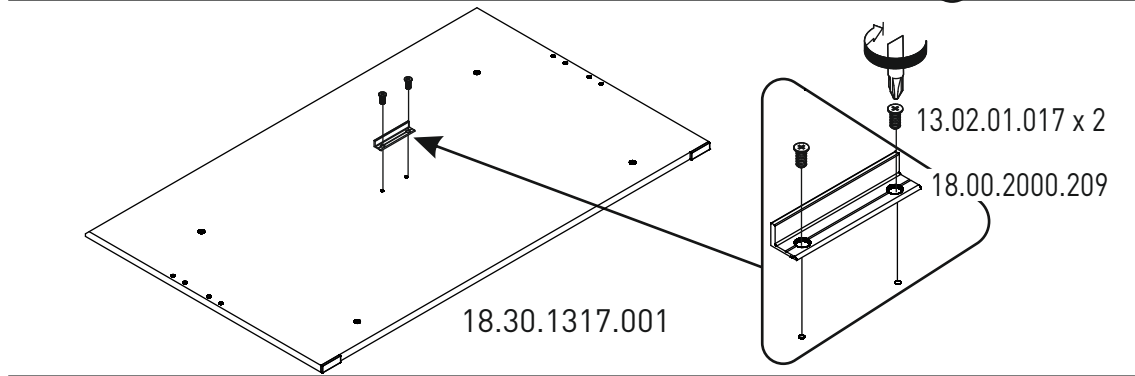




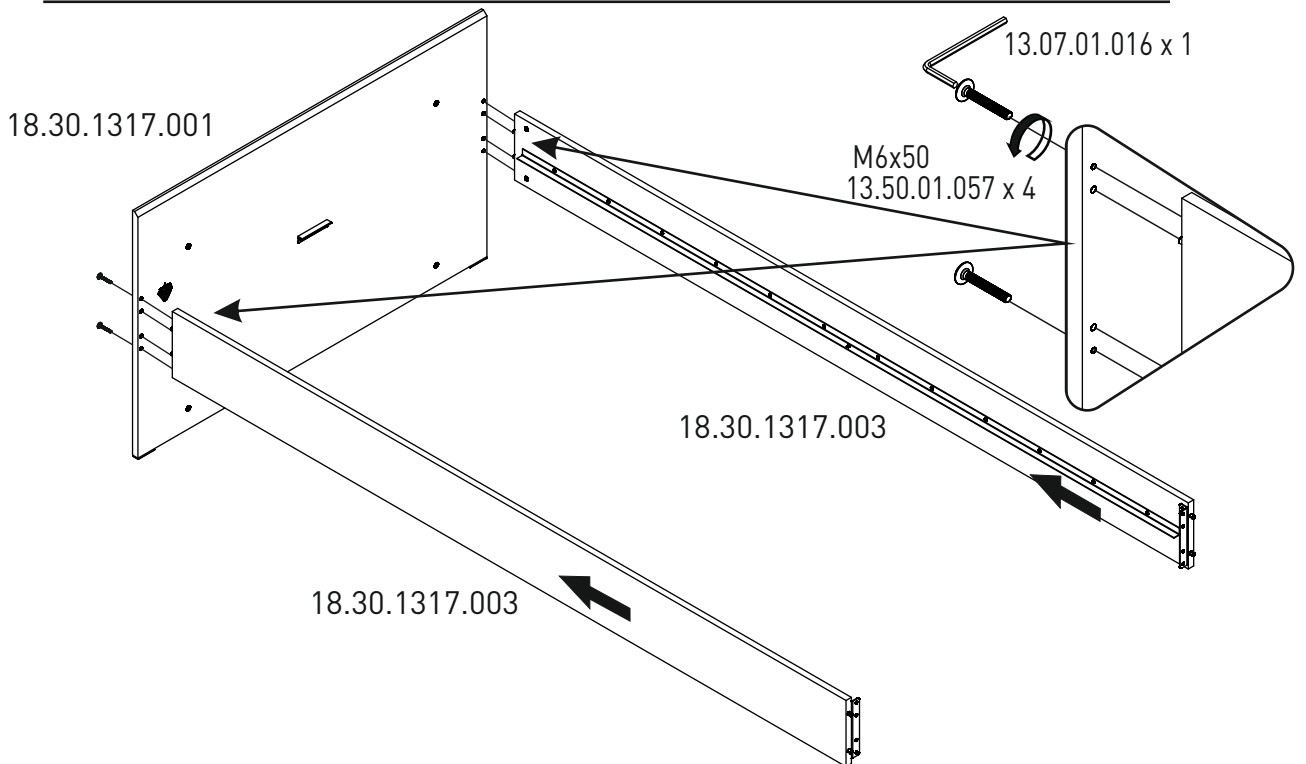
2



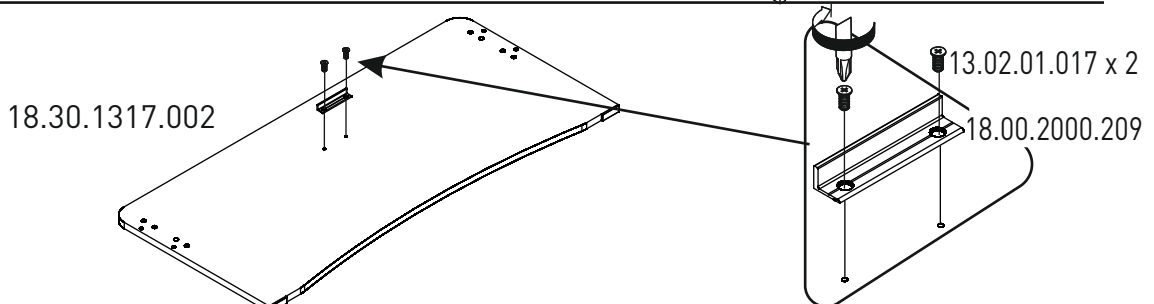
3



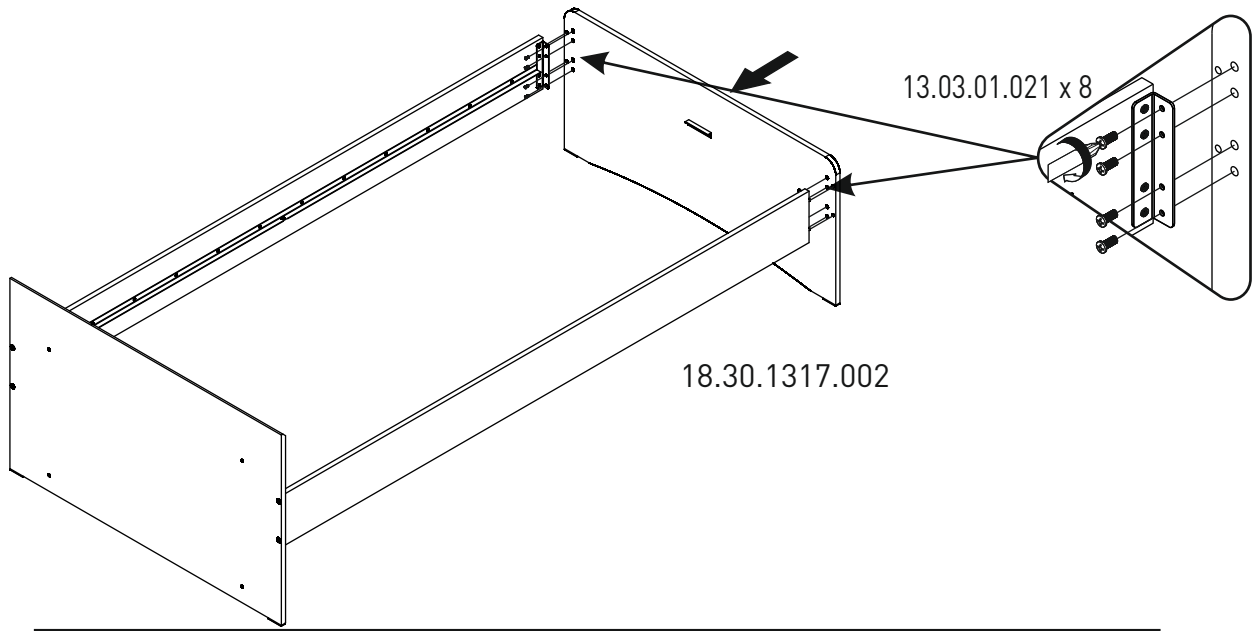
4



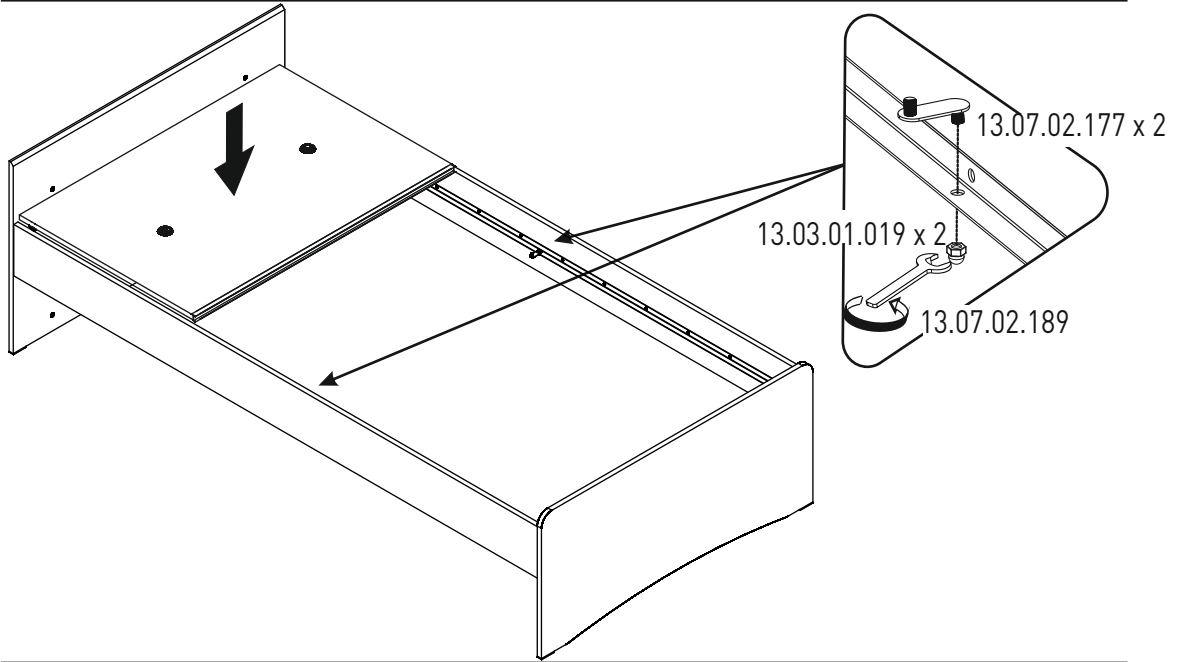
5



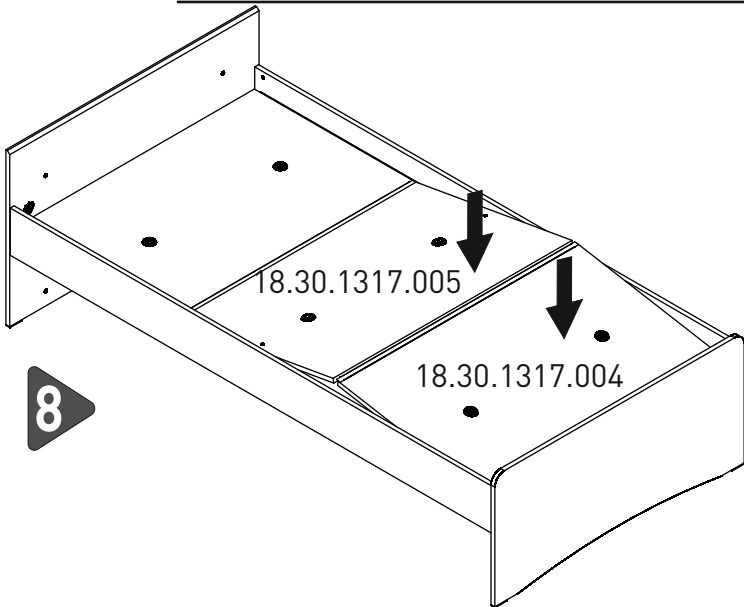
6



7



8



9

