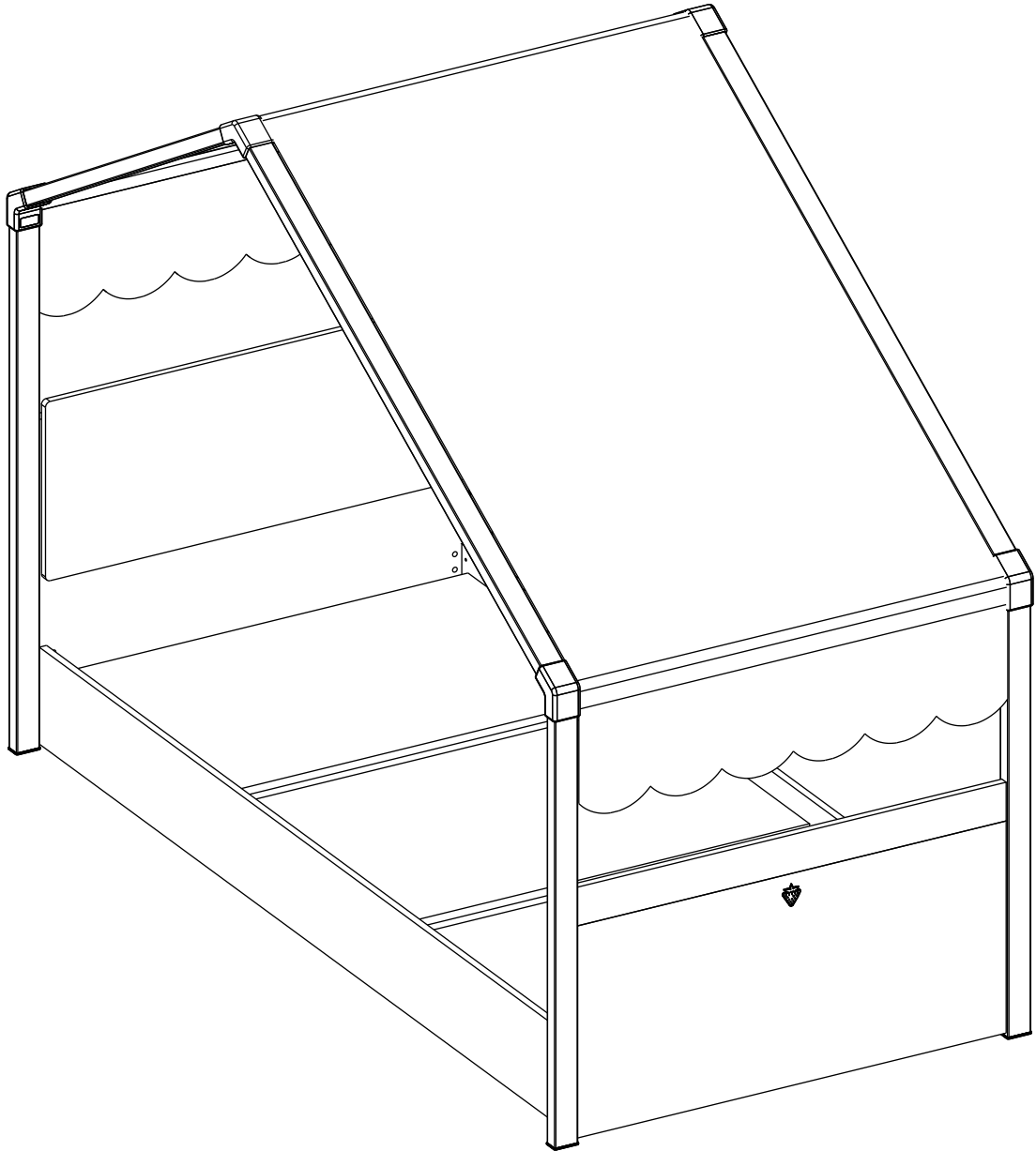
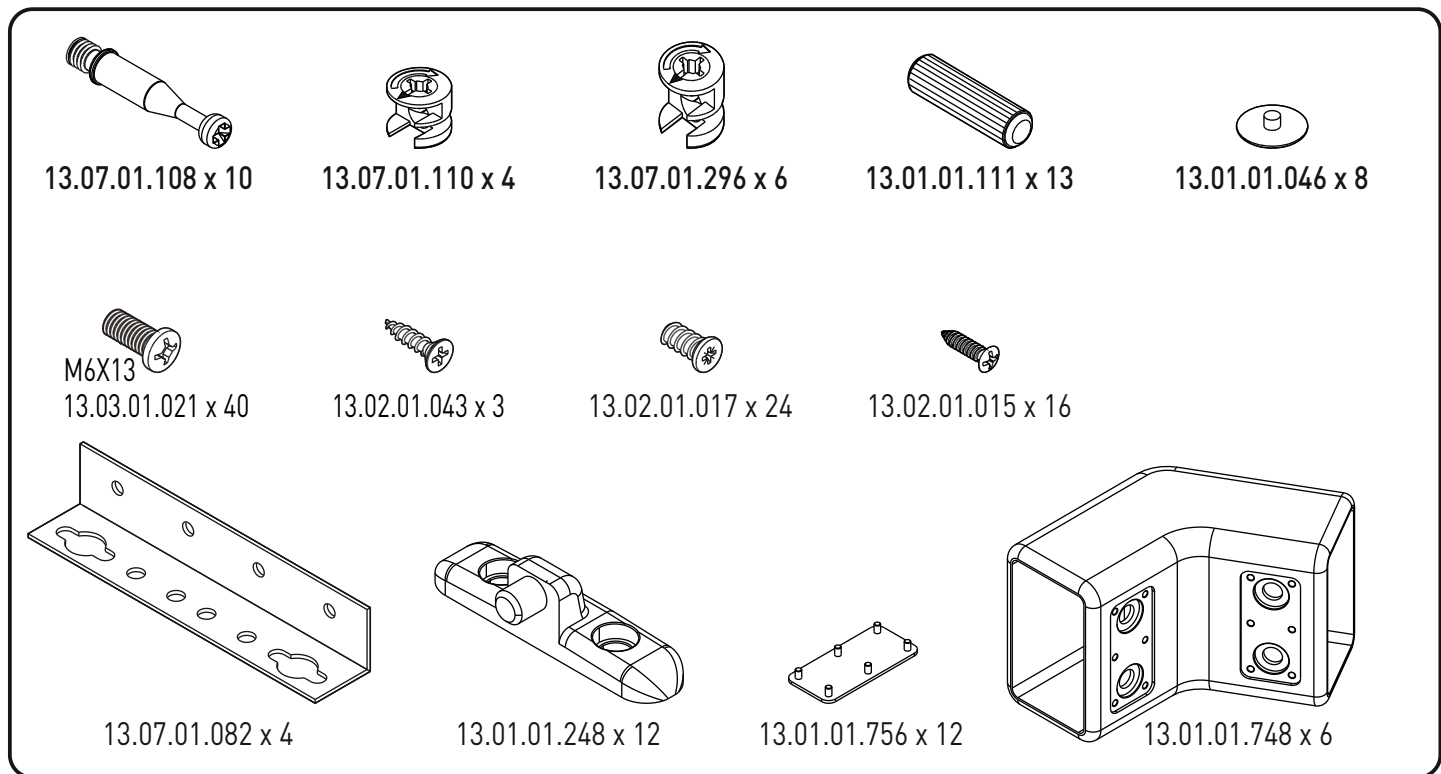
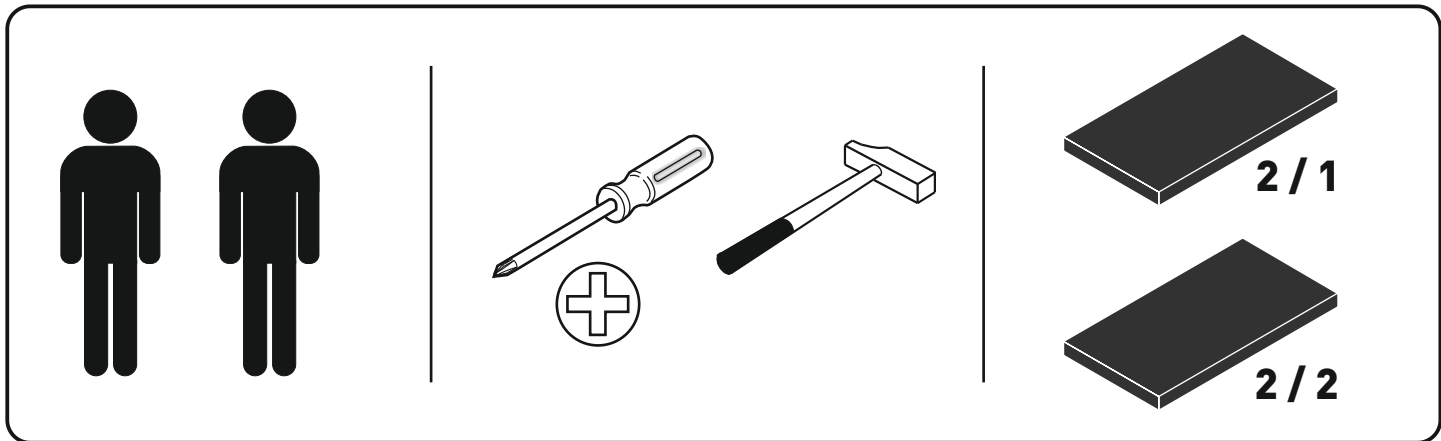
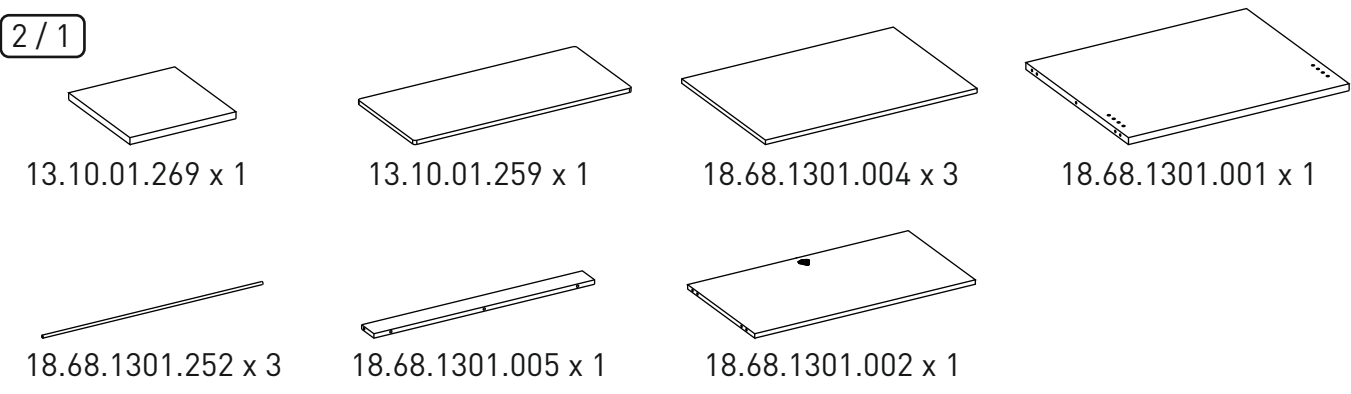


20.68.1301.01

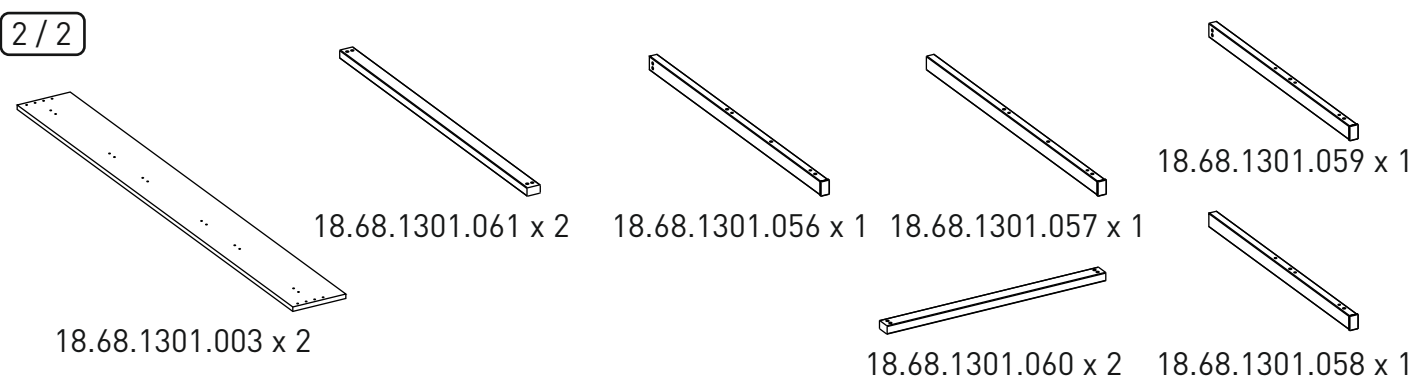


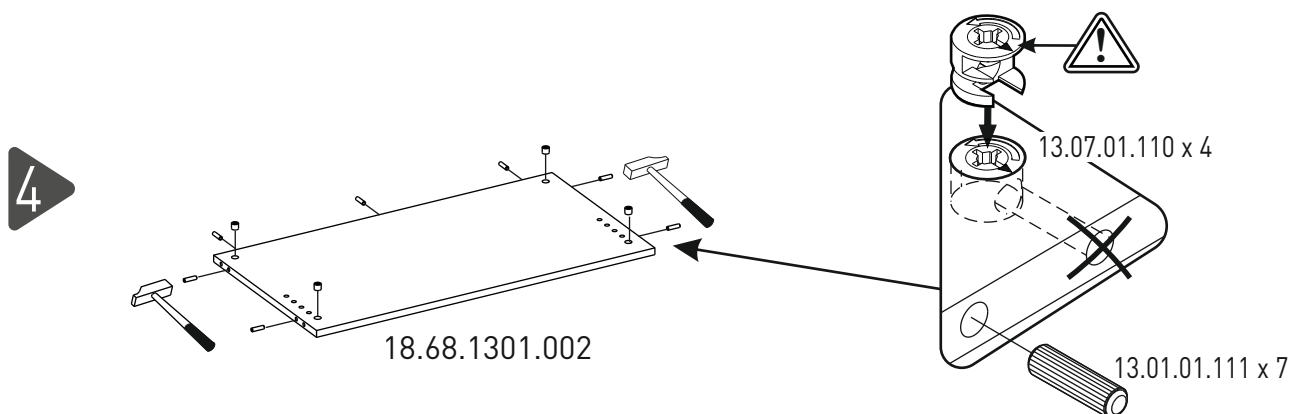
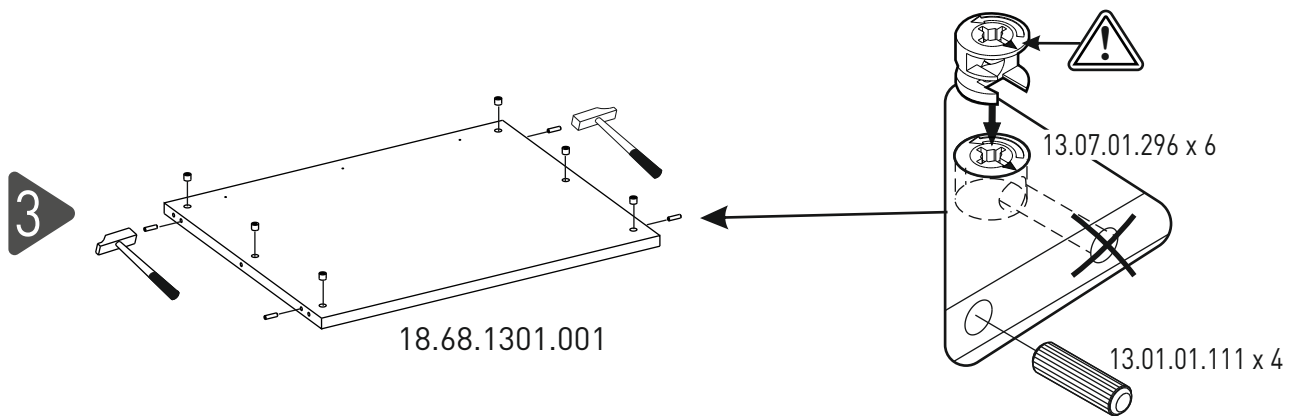
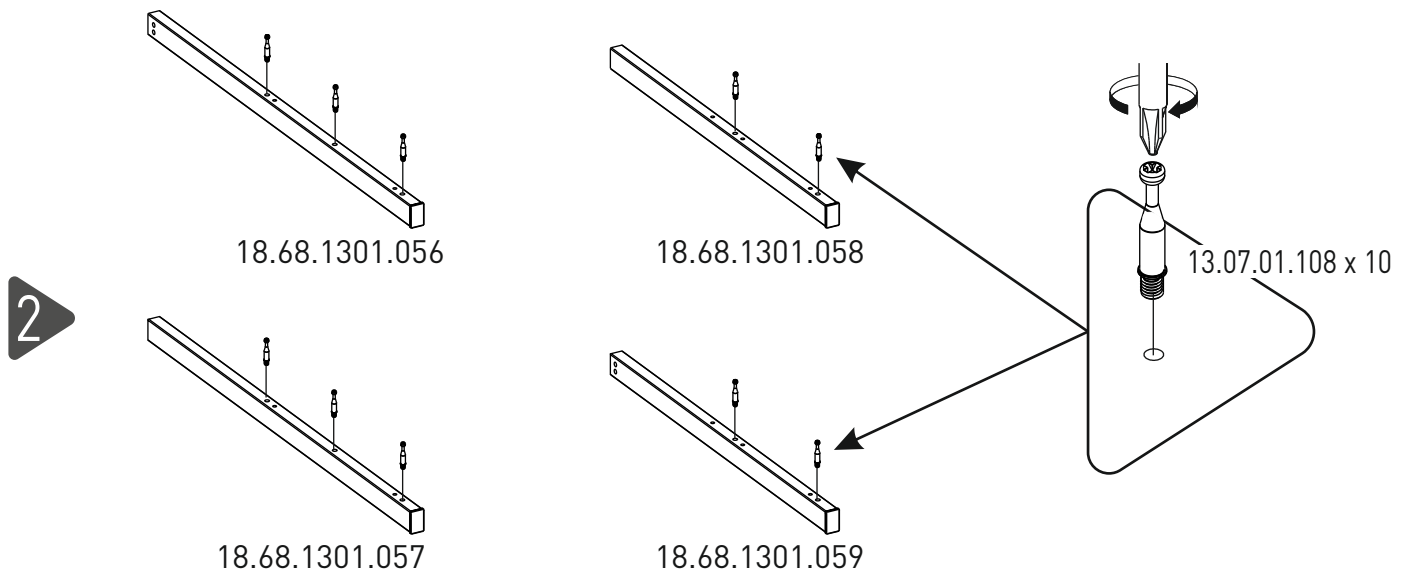
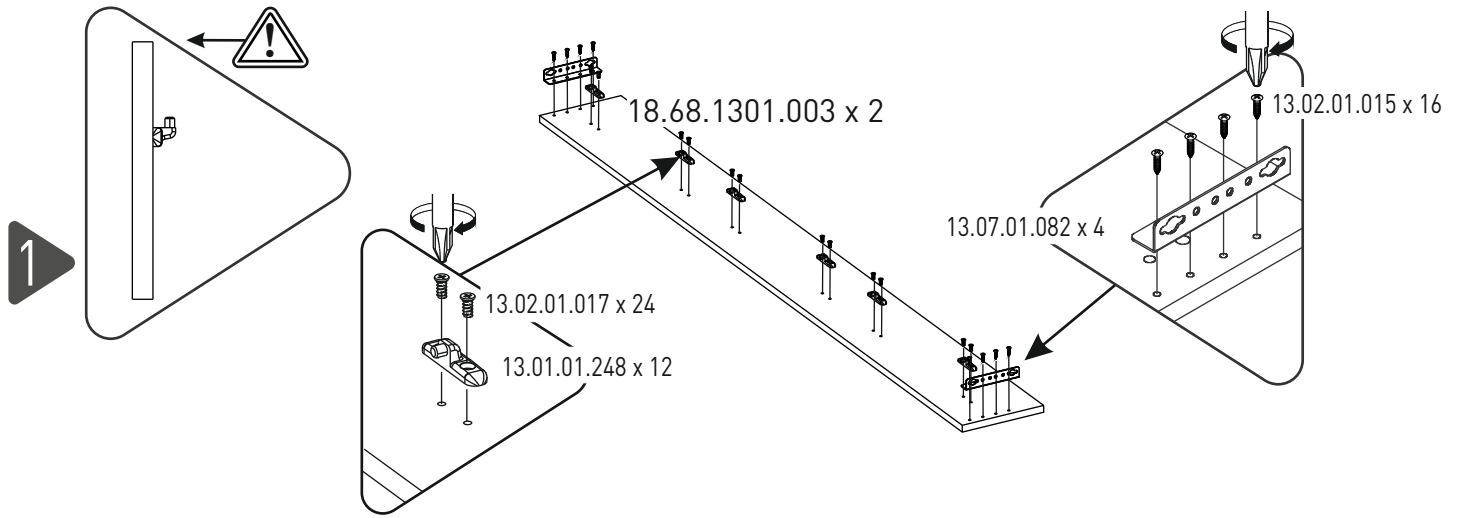


2/1

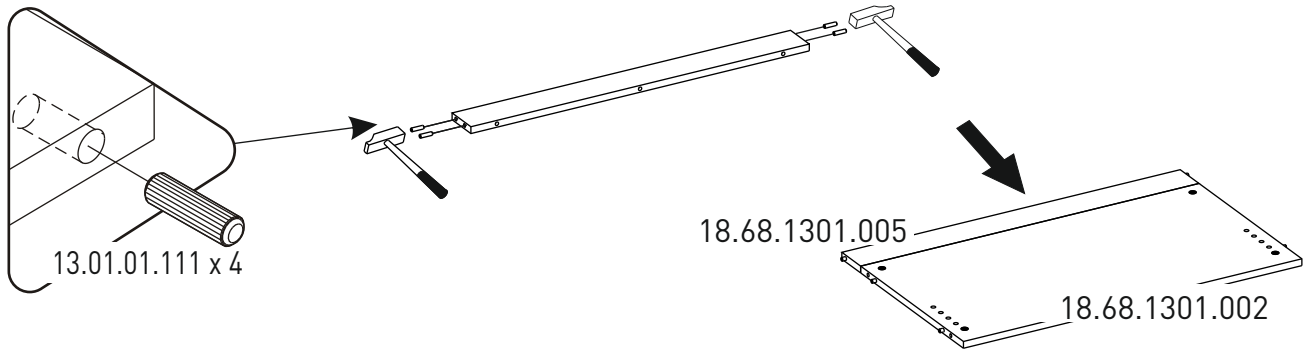


2/2

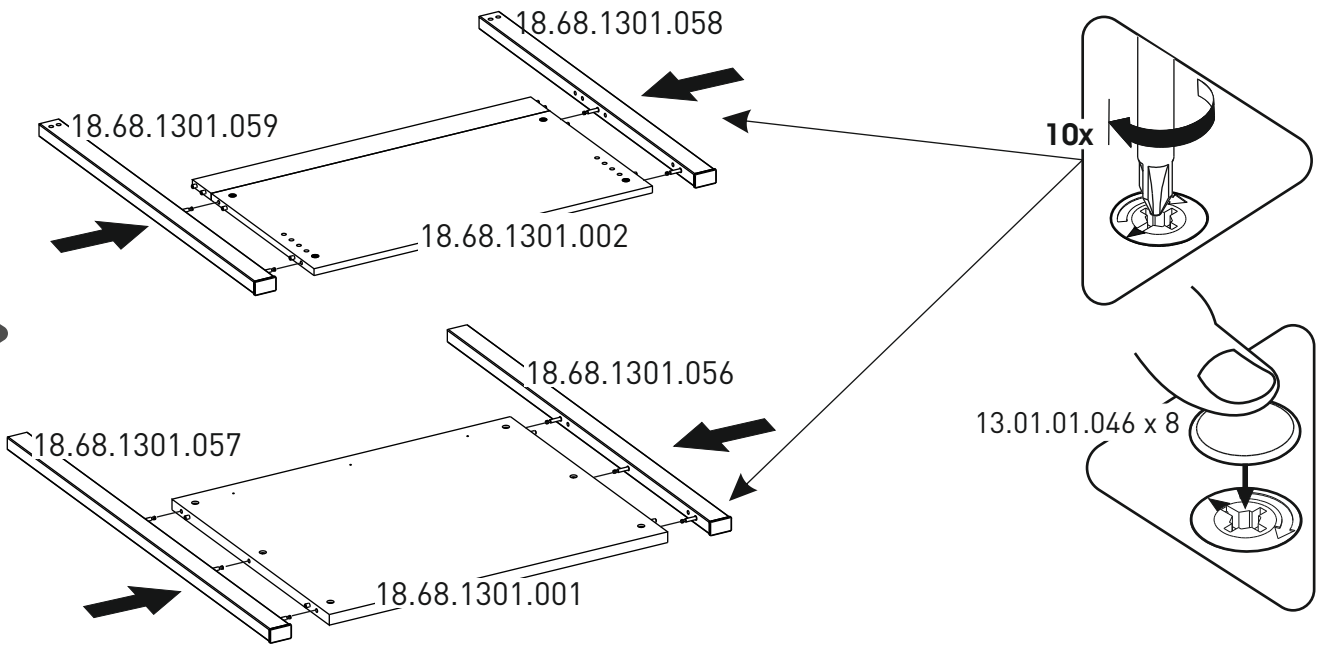




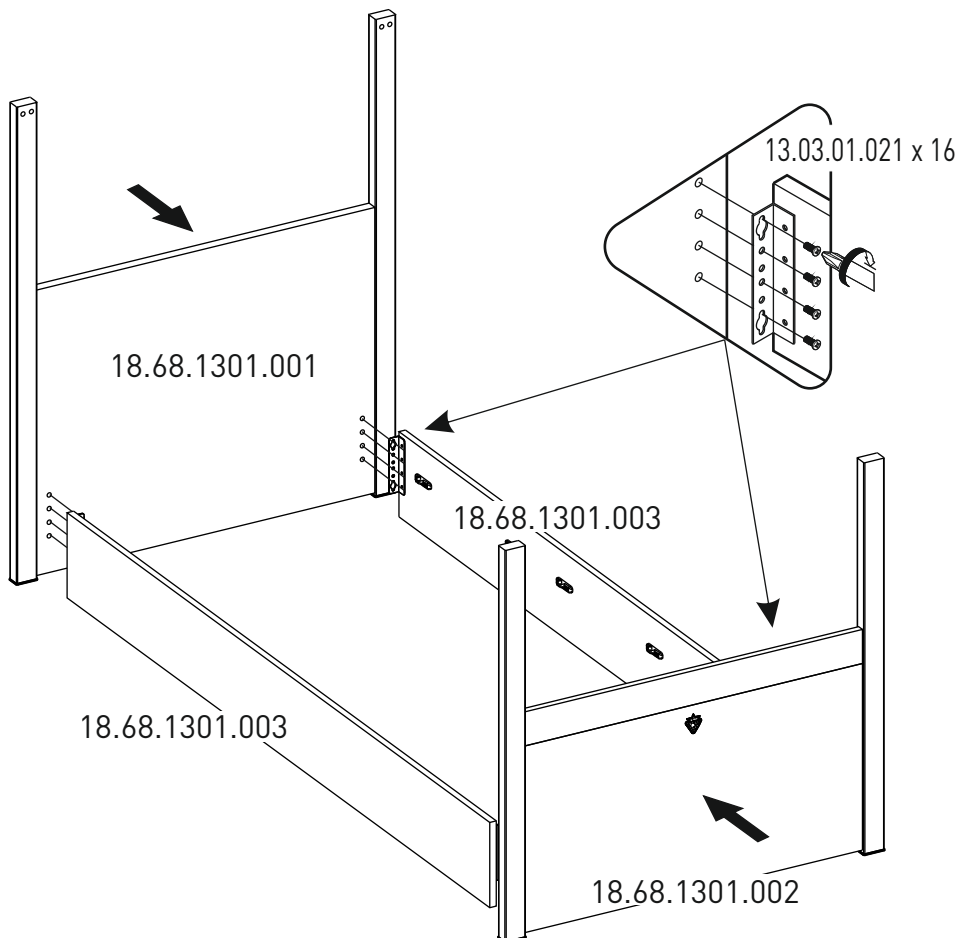
5



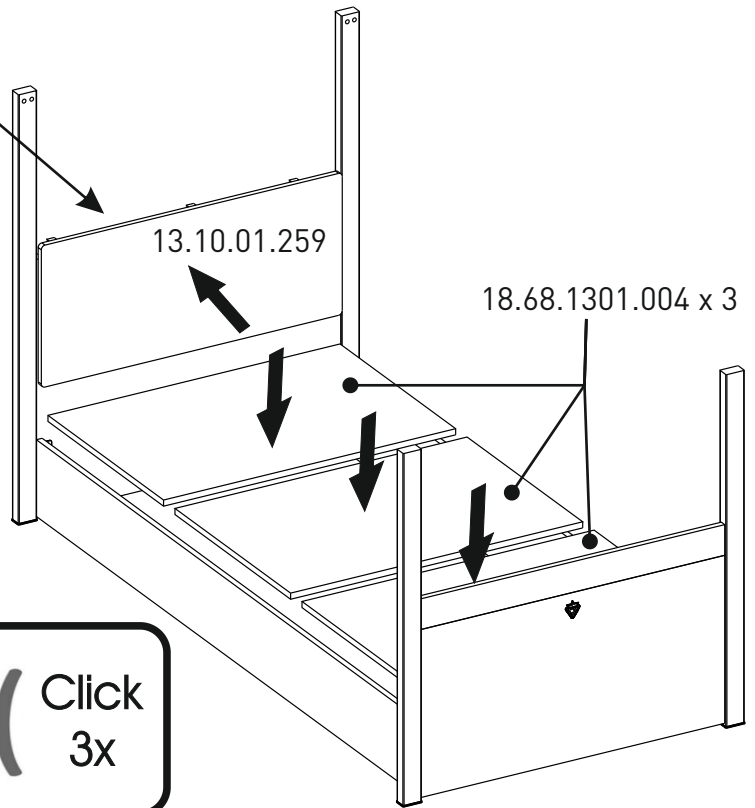
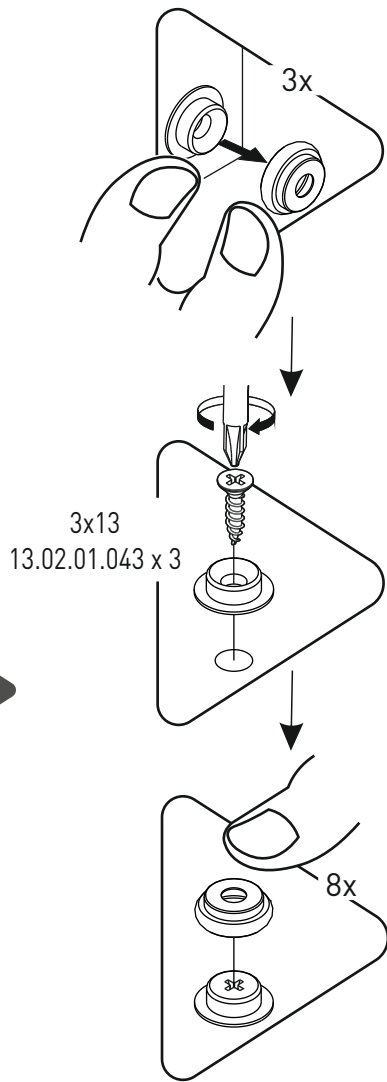
6



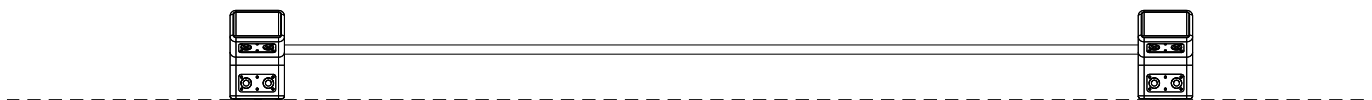
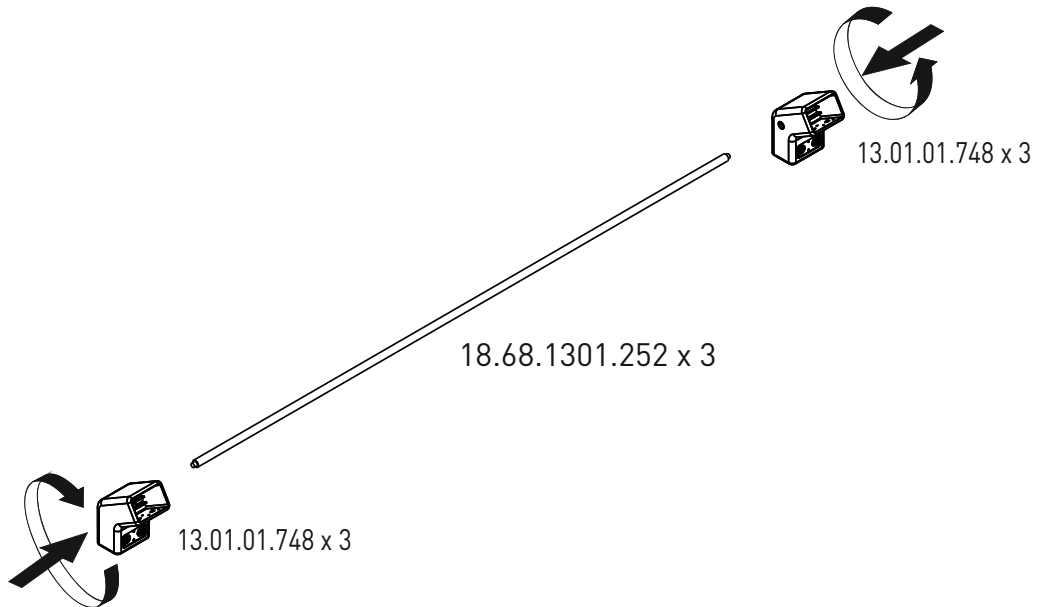
7



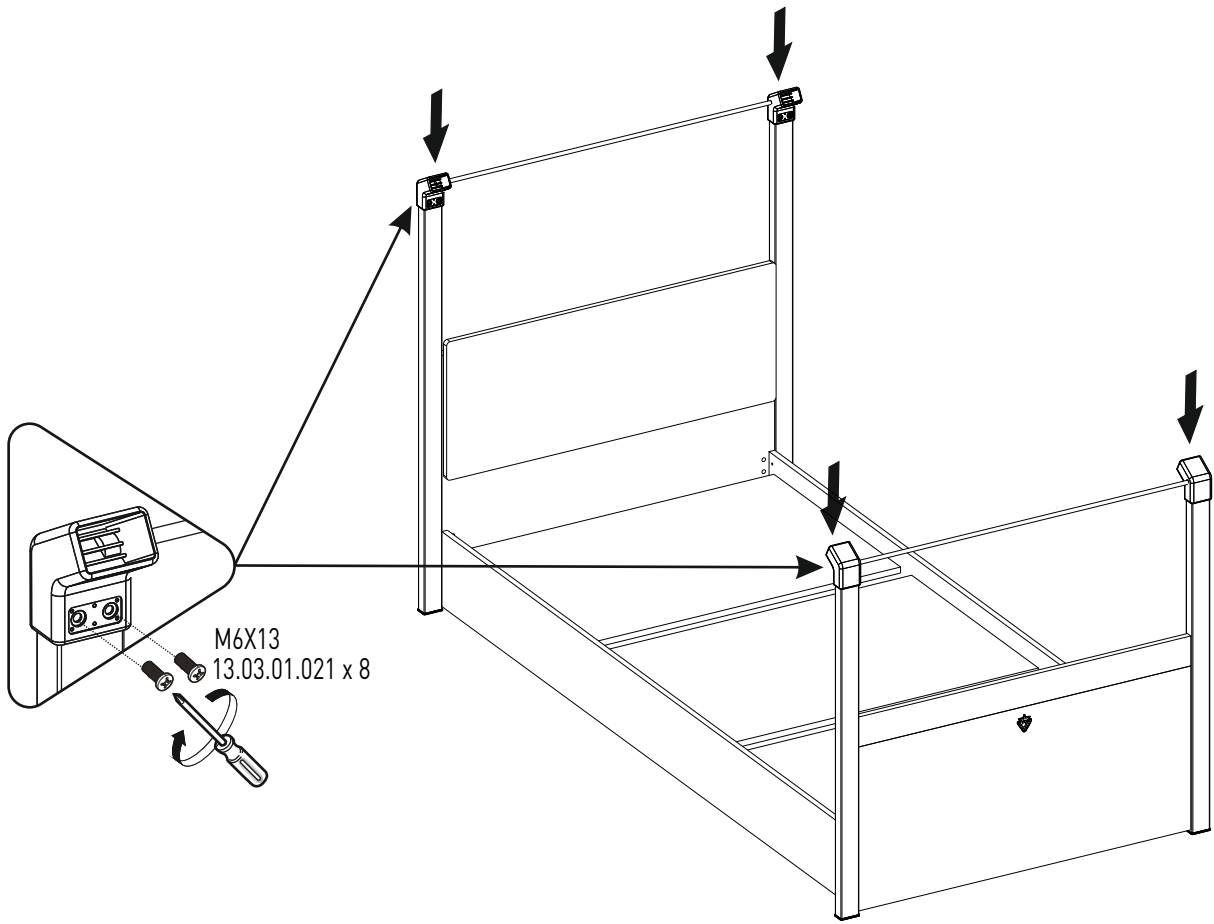
8



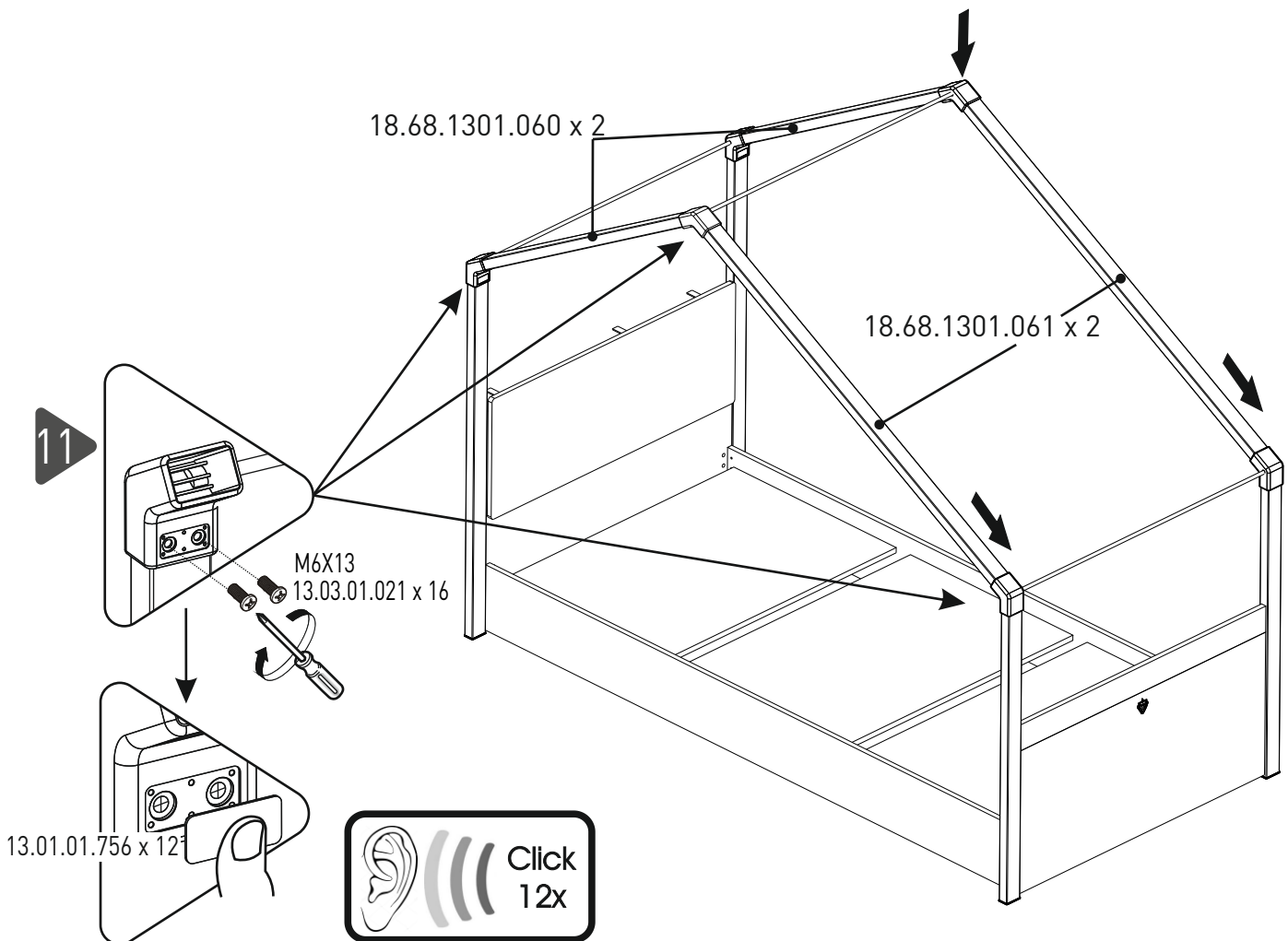
9



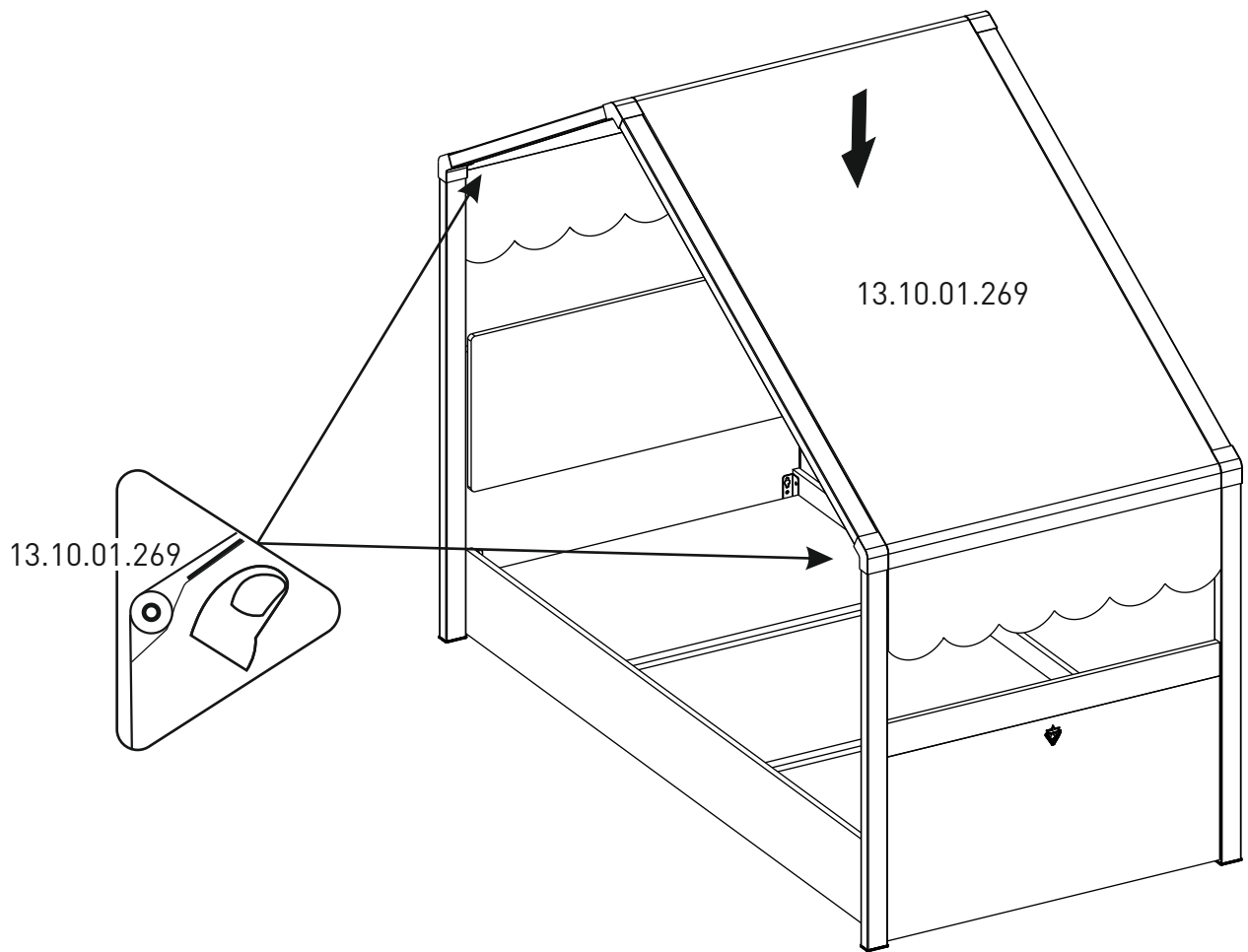
10



11



12



i

