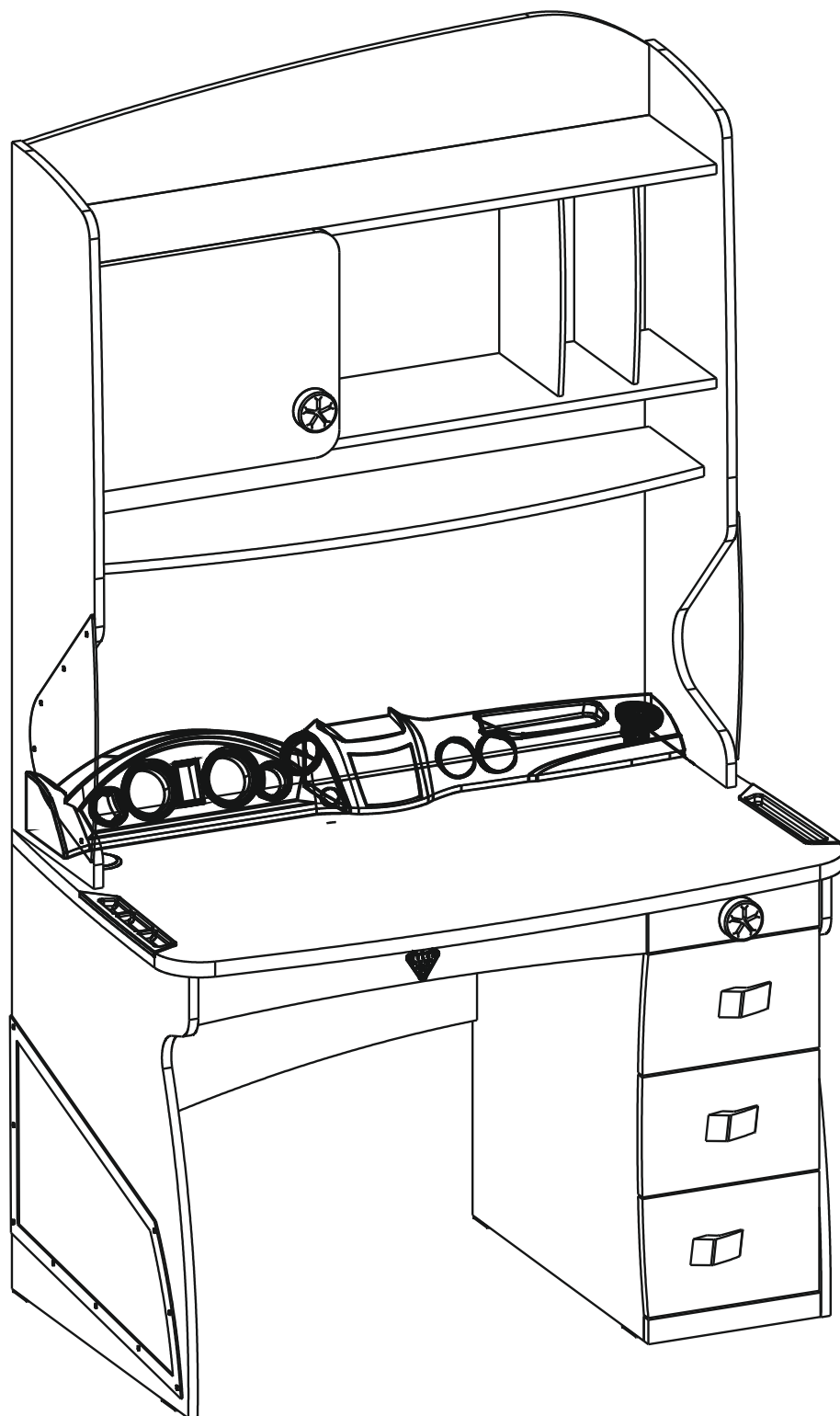
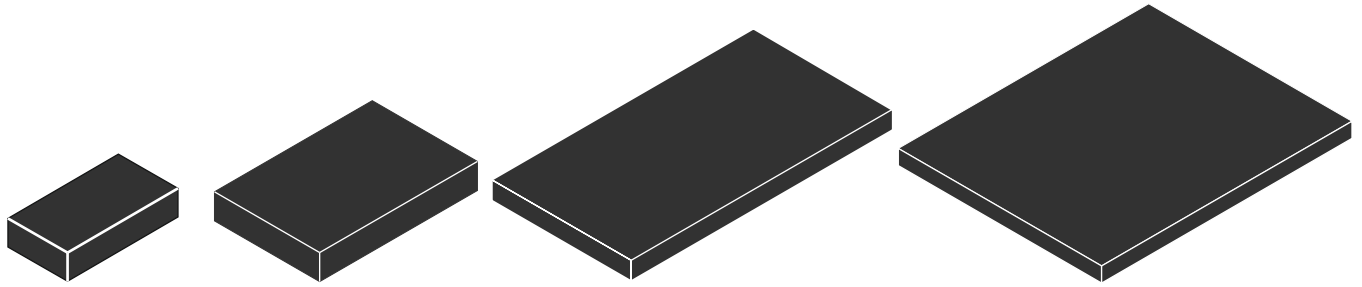
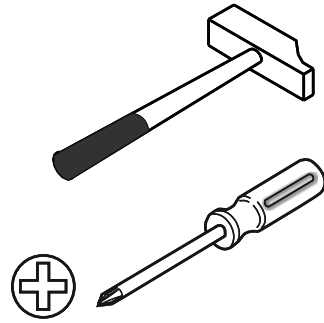
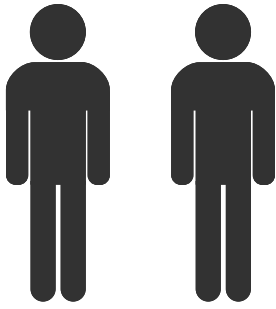


20.35.1101.00



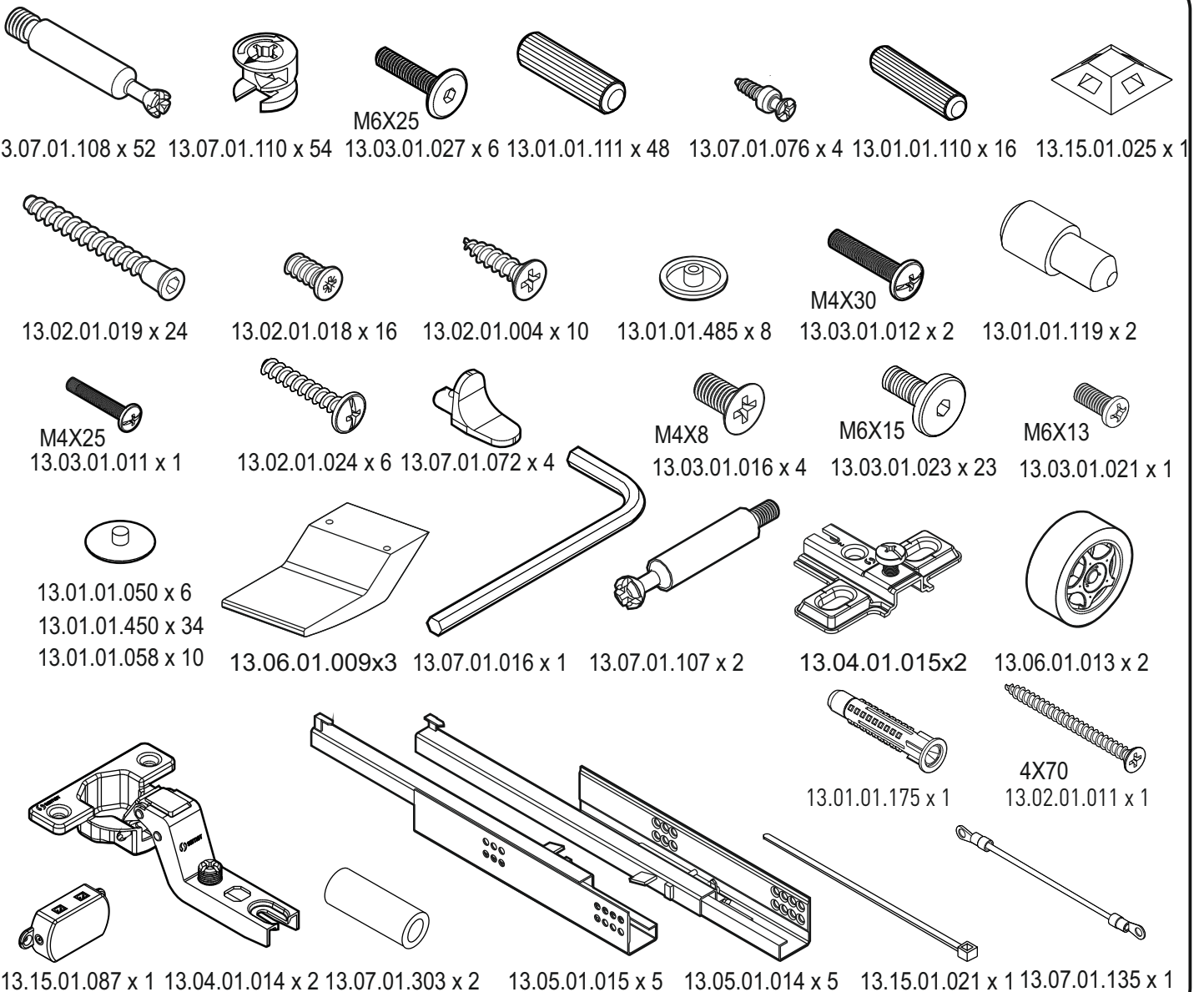


1 / 4

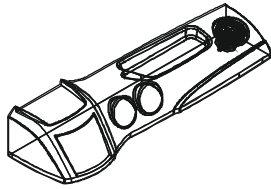
2 / 4

3 / 4

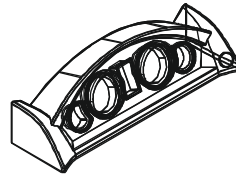
4 / 4



4 / 1

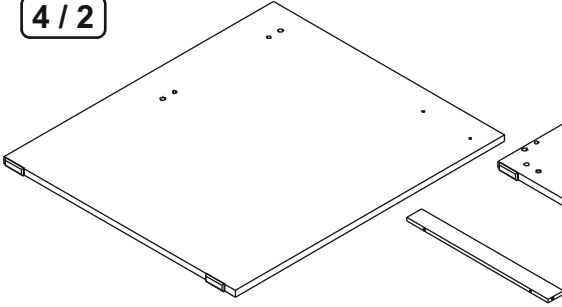


18.35.1101.041 x 1

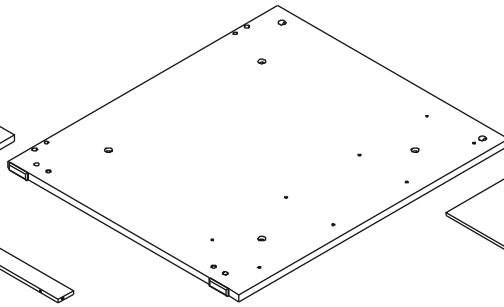


18.35.1101.042 x 1

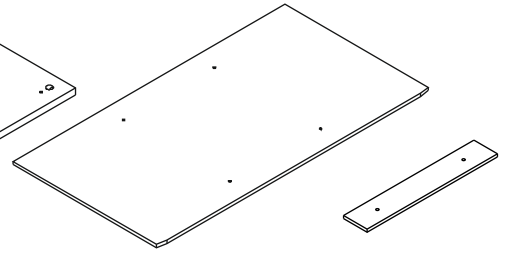
4 / 2



18.35.1101.004 x 1



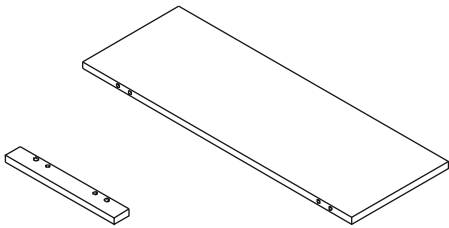
18.35.1101.026 x 2



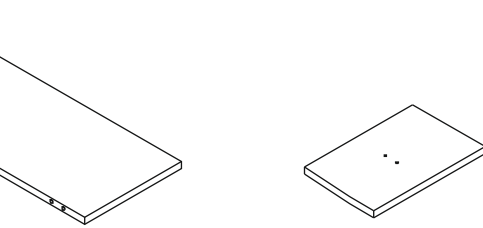
18.35.1101.005 x 1

18.35.1101.025 x 1

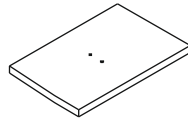
18.35.1101.043 x 1



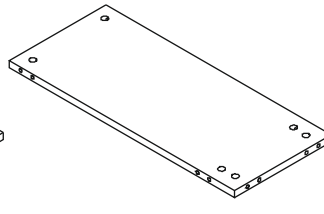
18.35.1101.007 x 1



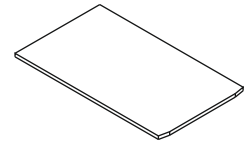
18.35.1101.008 x 1



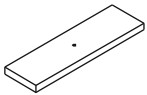
18.35.1101.012 x 1



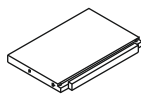
18.35.1101.006 x 1



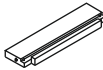
18.35.1101.024 x 4



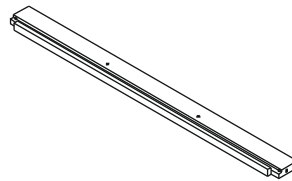
18.35.1101.013 x 1



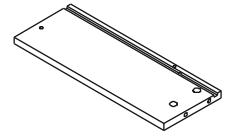
18.35.1101.015 x 3



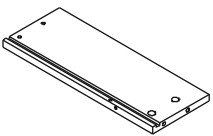
18.35.1101.016 x 1



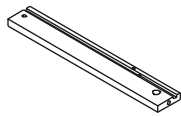
18.35.1101.017 x 1



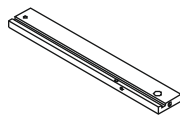
18.35.1101.018 x 3



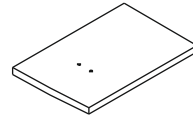
18.35.1101.019 x 3



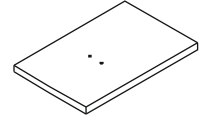
18.35.1101.020 x 1



18.35.1101.021 x 1

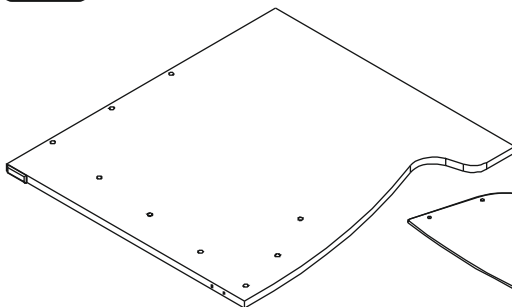


18.35.1101.010 x 1

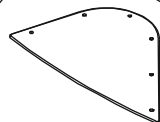


18.35.1101.011 x 1

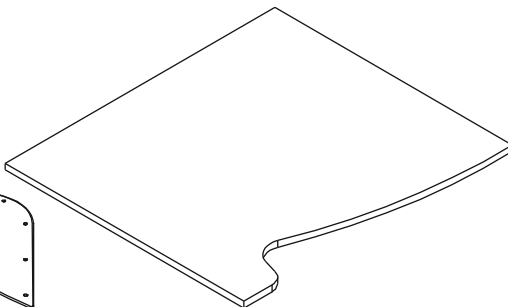
4 / 3



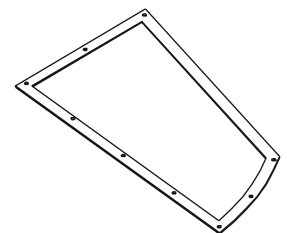
18.35.1101.002 x 1



13.01.01.489 x 2

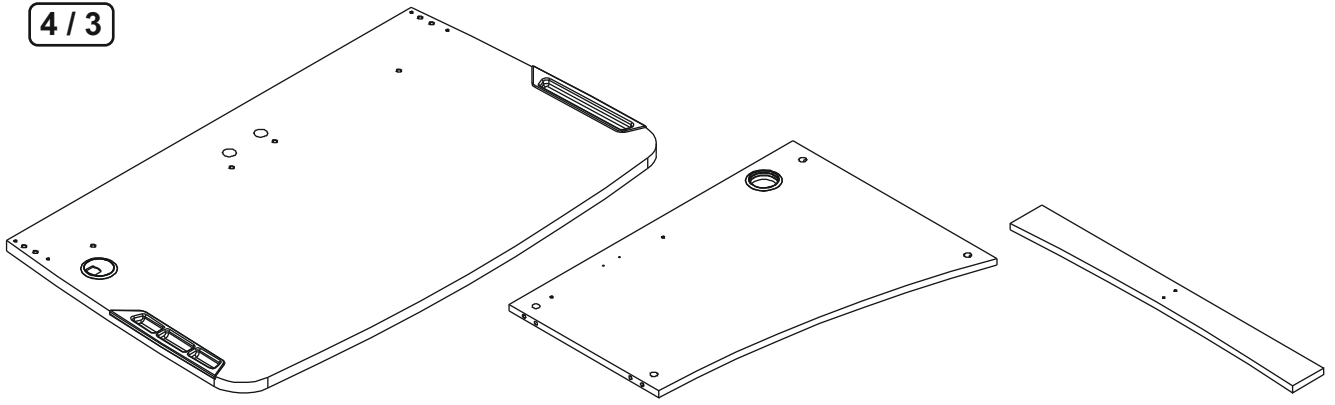


18.35.1101.003 x 1



13.01.01.477 x 1

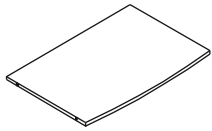
4 / 3



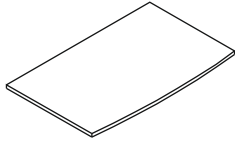
18.35.1101.001 x 1

18.35.1101.009 x 1

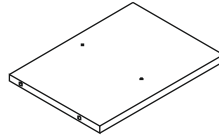
18.35.1101.014 x 1



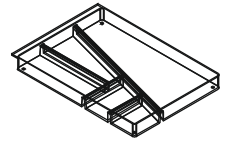
18.35.1101.036 x 2



18.35.1101.037 x 1

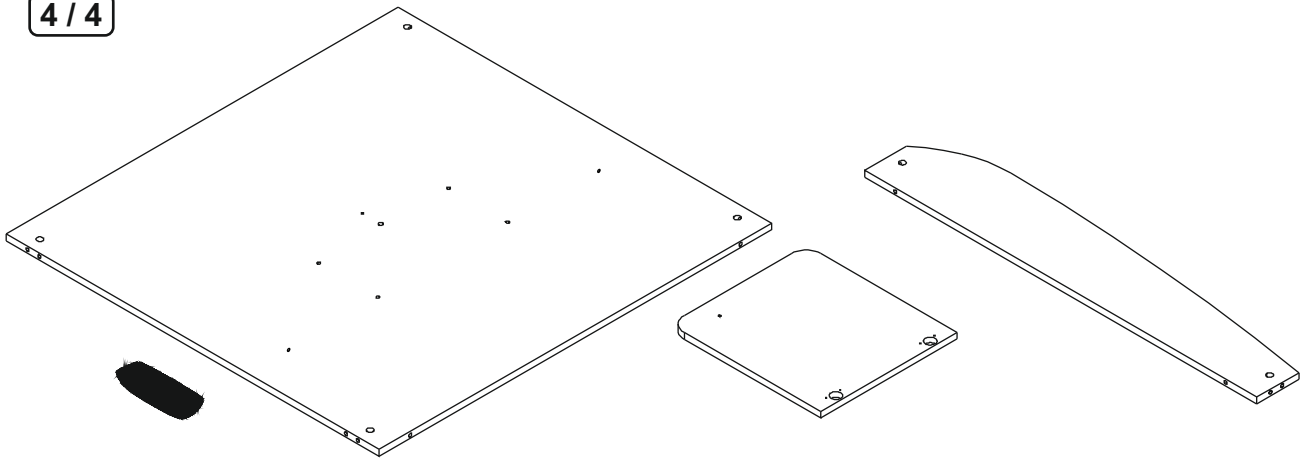


18.35.1101.032 x 1



13.01.01.463 x 1

4 / 4

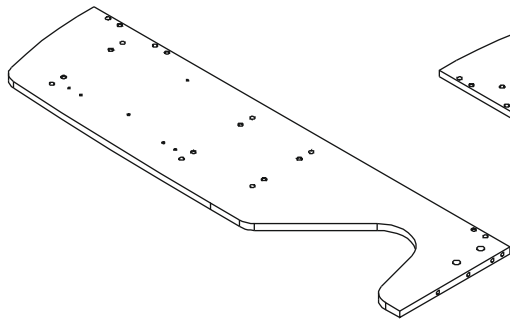


13.01.01.494 x 1

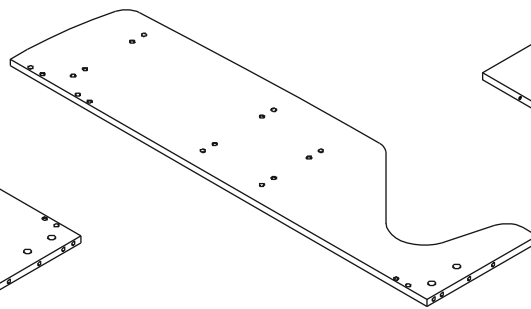
18.35.1101.034 x 1

18.35.1101.035 x 1

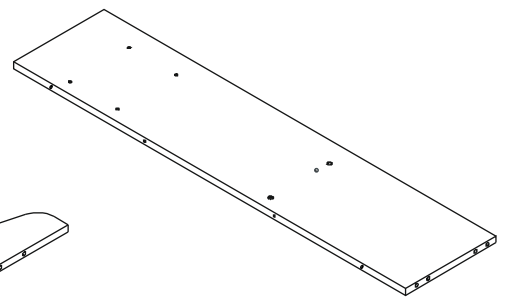
18.35.1101.033 x 1



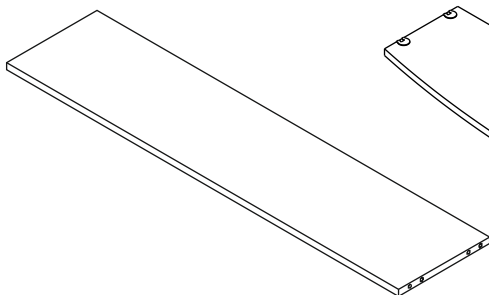
18.35.1101.027 x 1



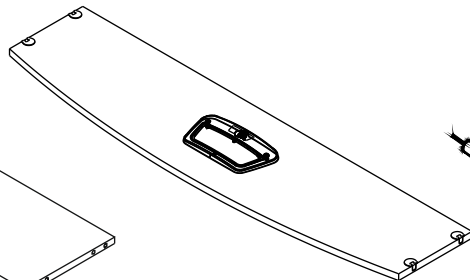
18.35.1101.028 x 1



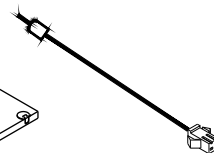
18.35.1101.030 x 1



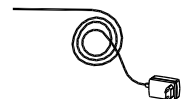
18.35.1101.031 x 1



18.35.1101.029 x 1

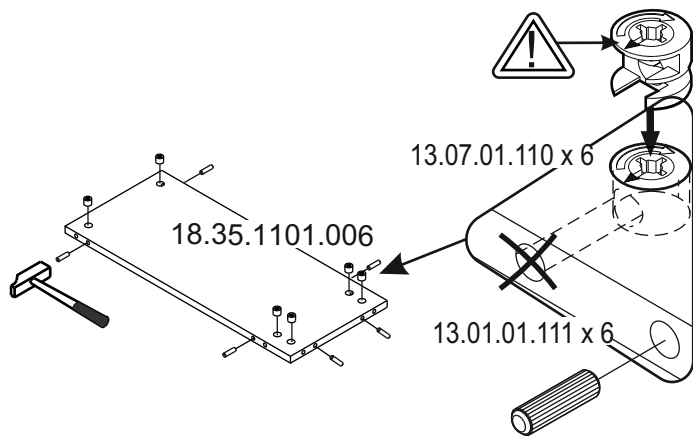


13.15.01.100 x 1

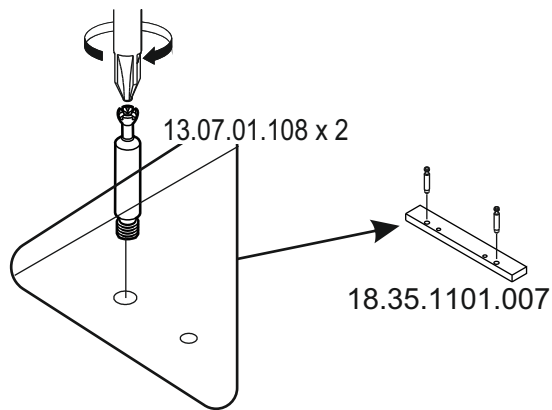


13.15.01.064 x 1

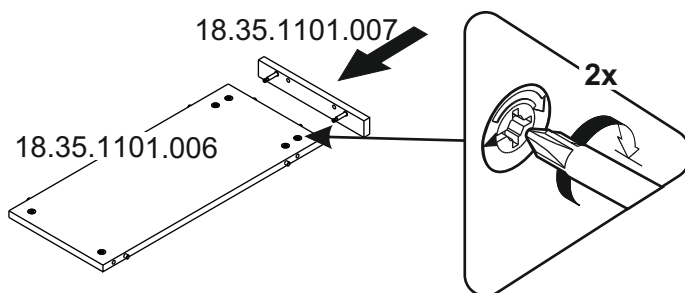
1



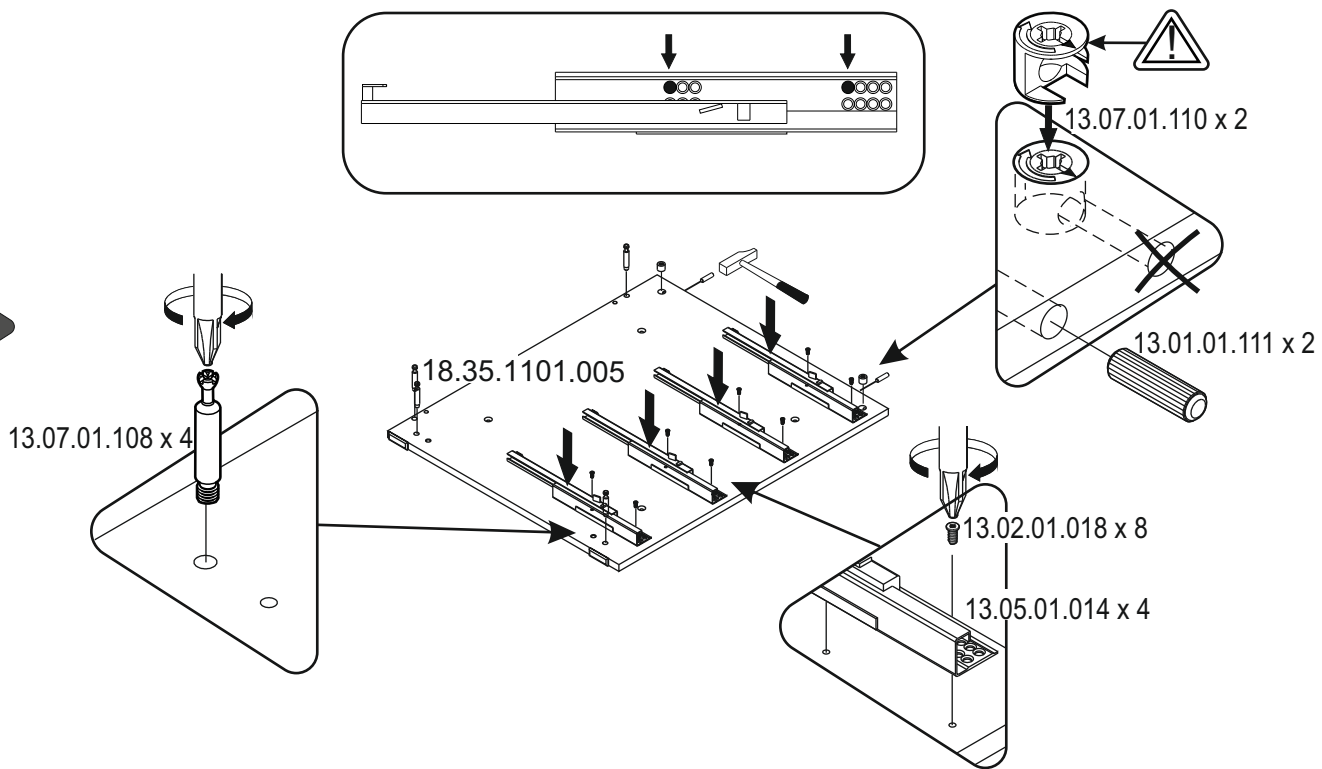
2



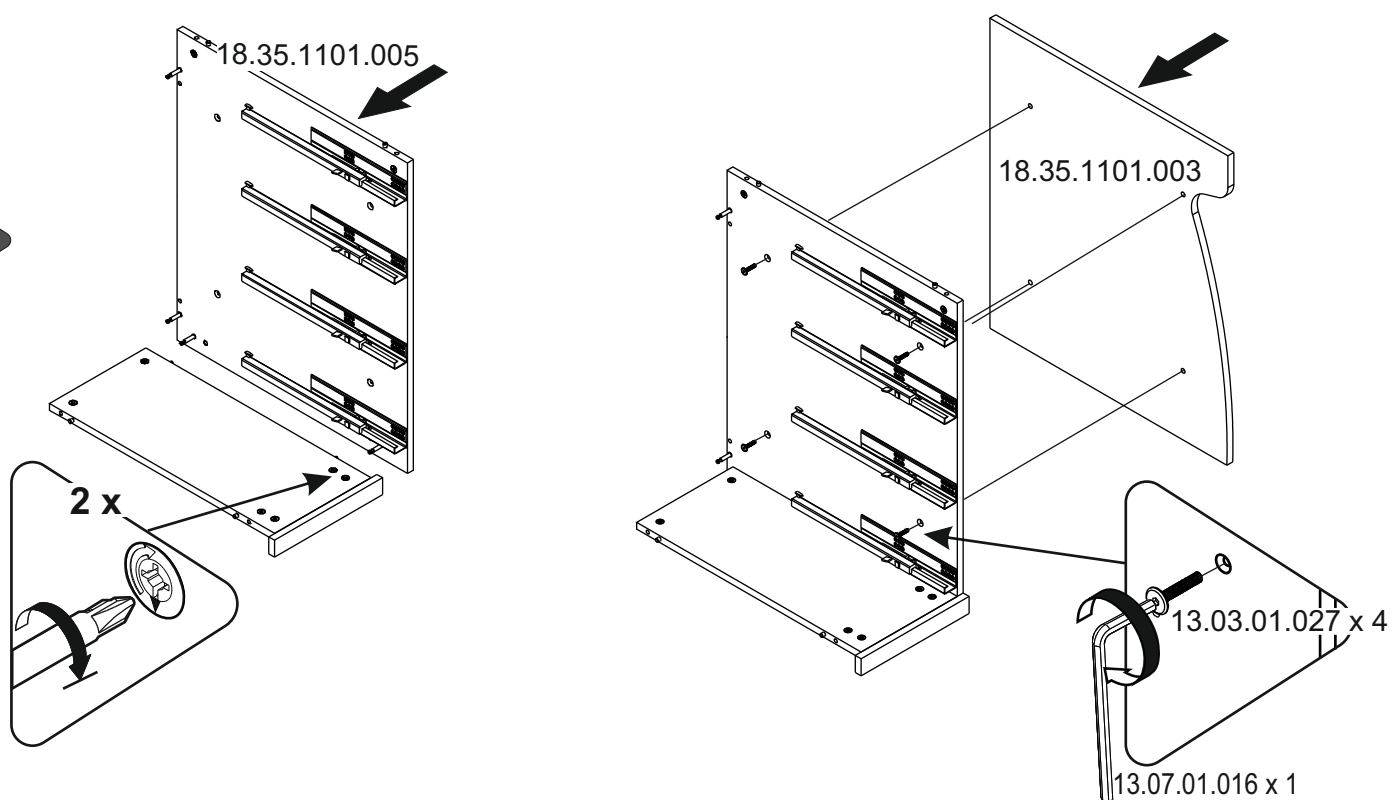
3



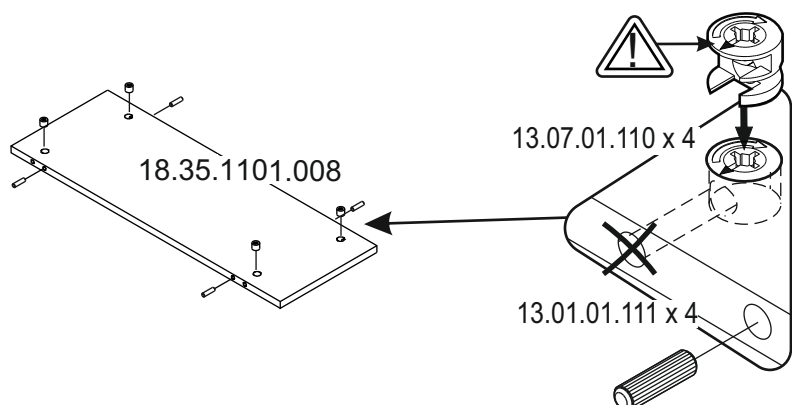
4



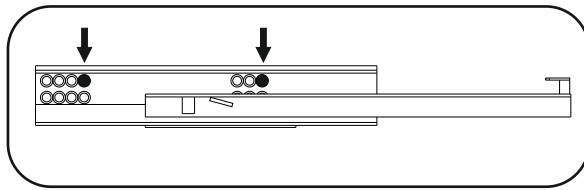
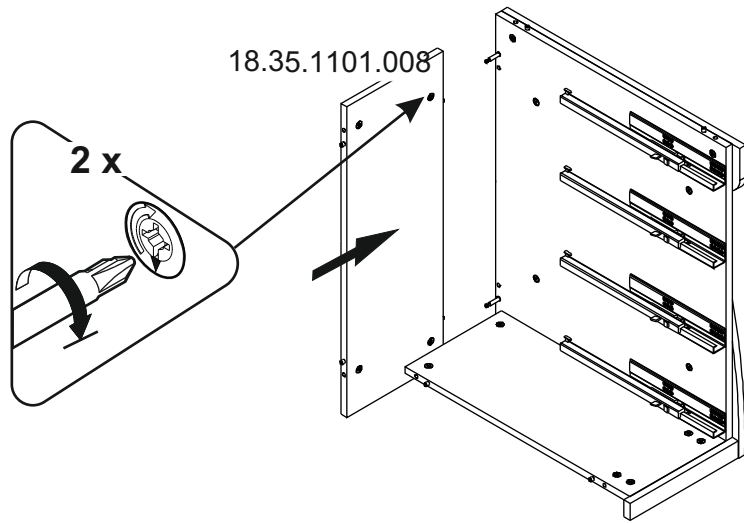
5



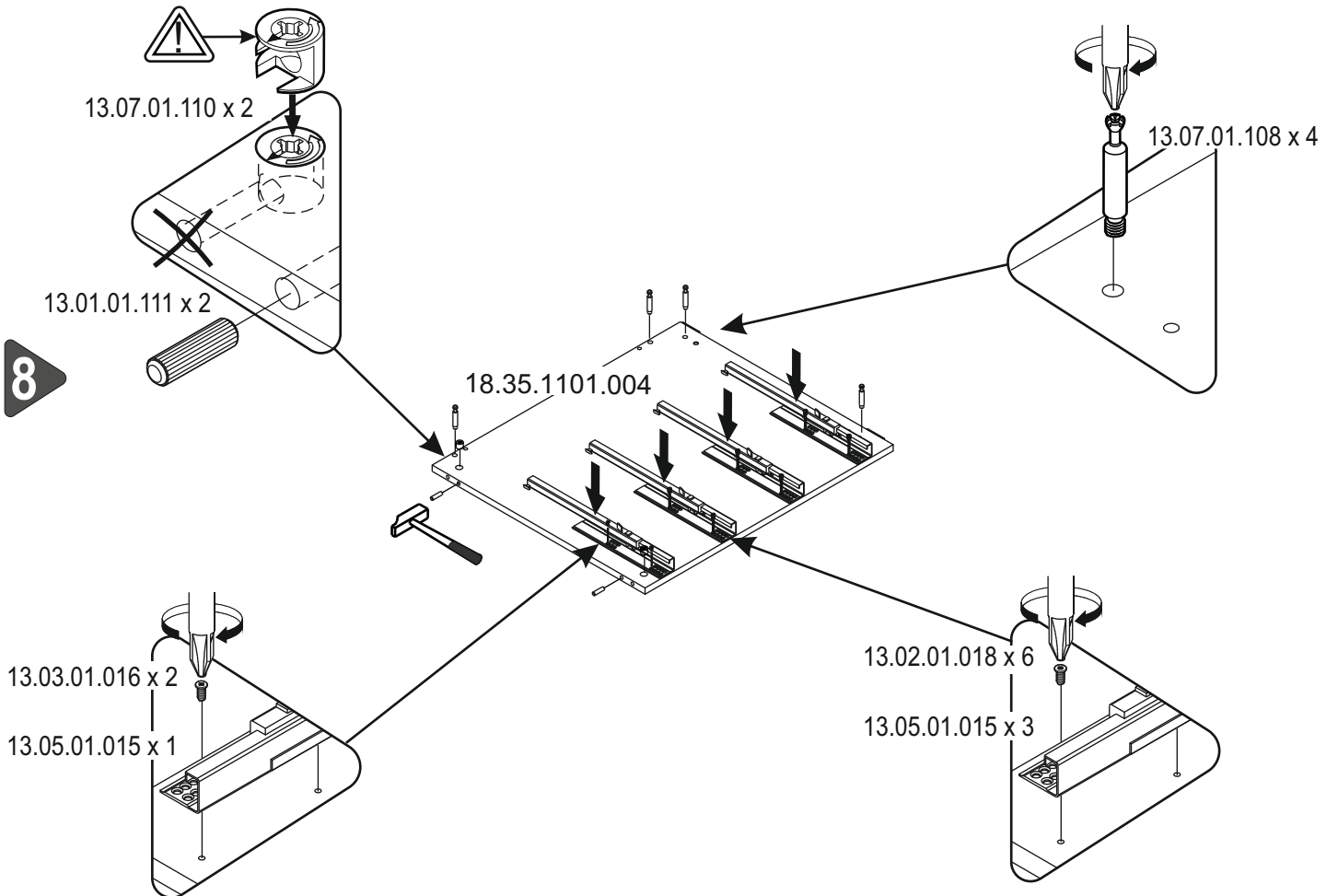
6



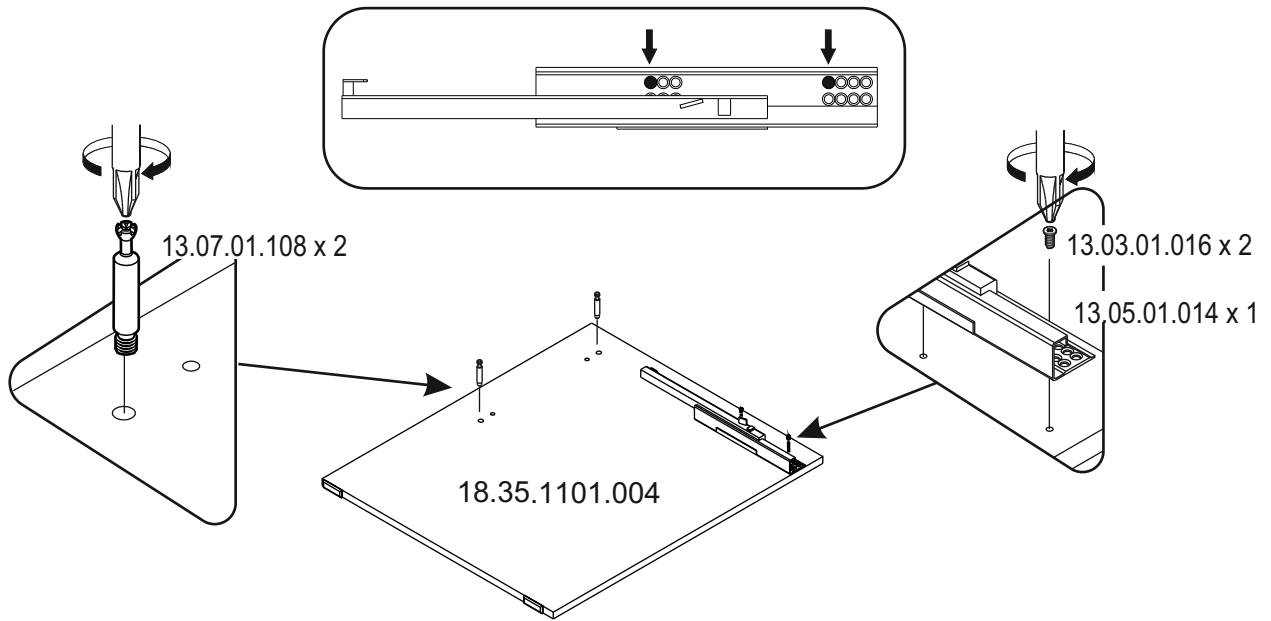
7



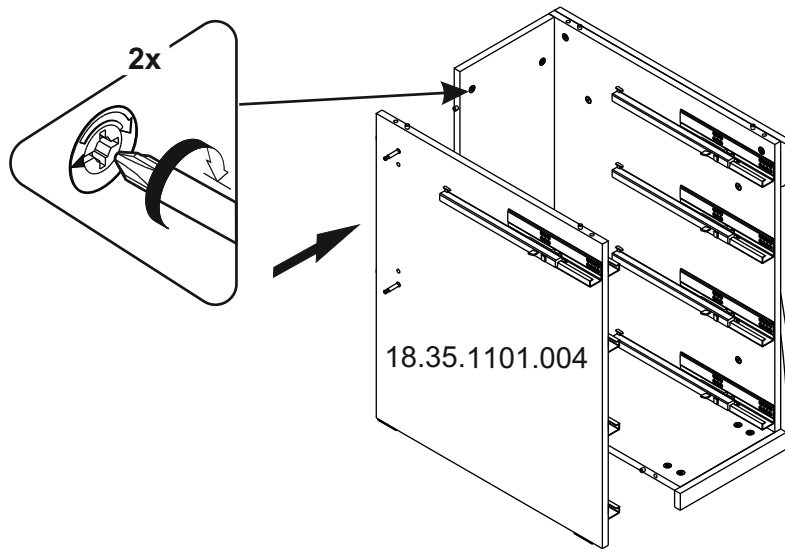
8



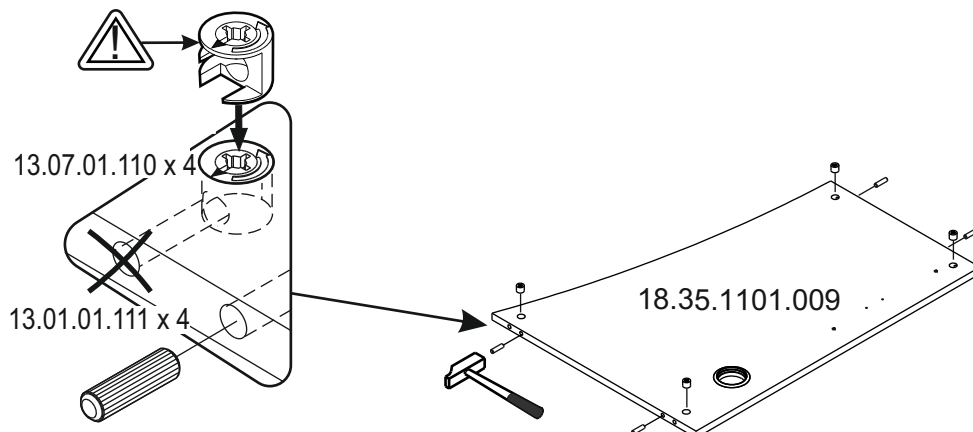
9



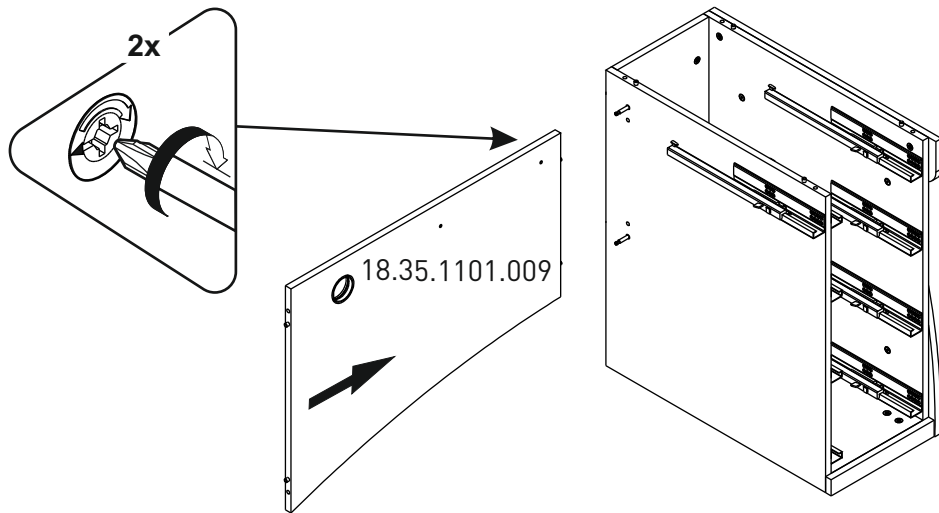
10



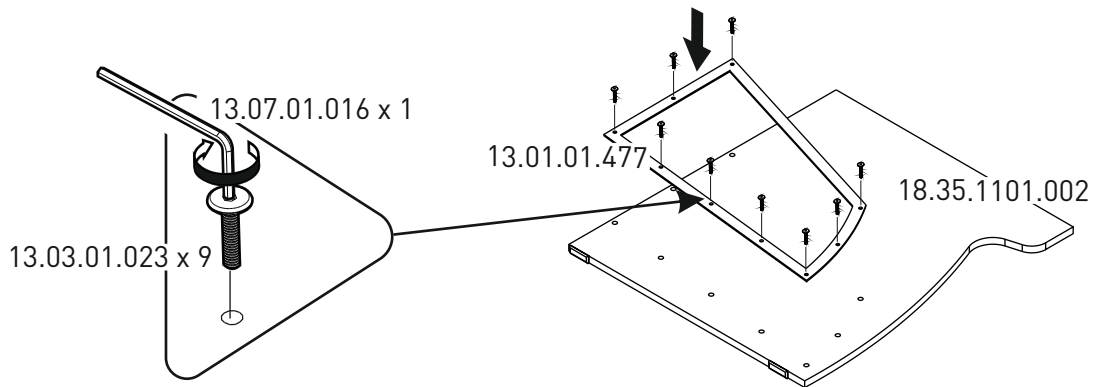
11



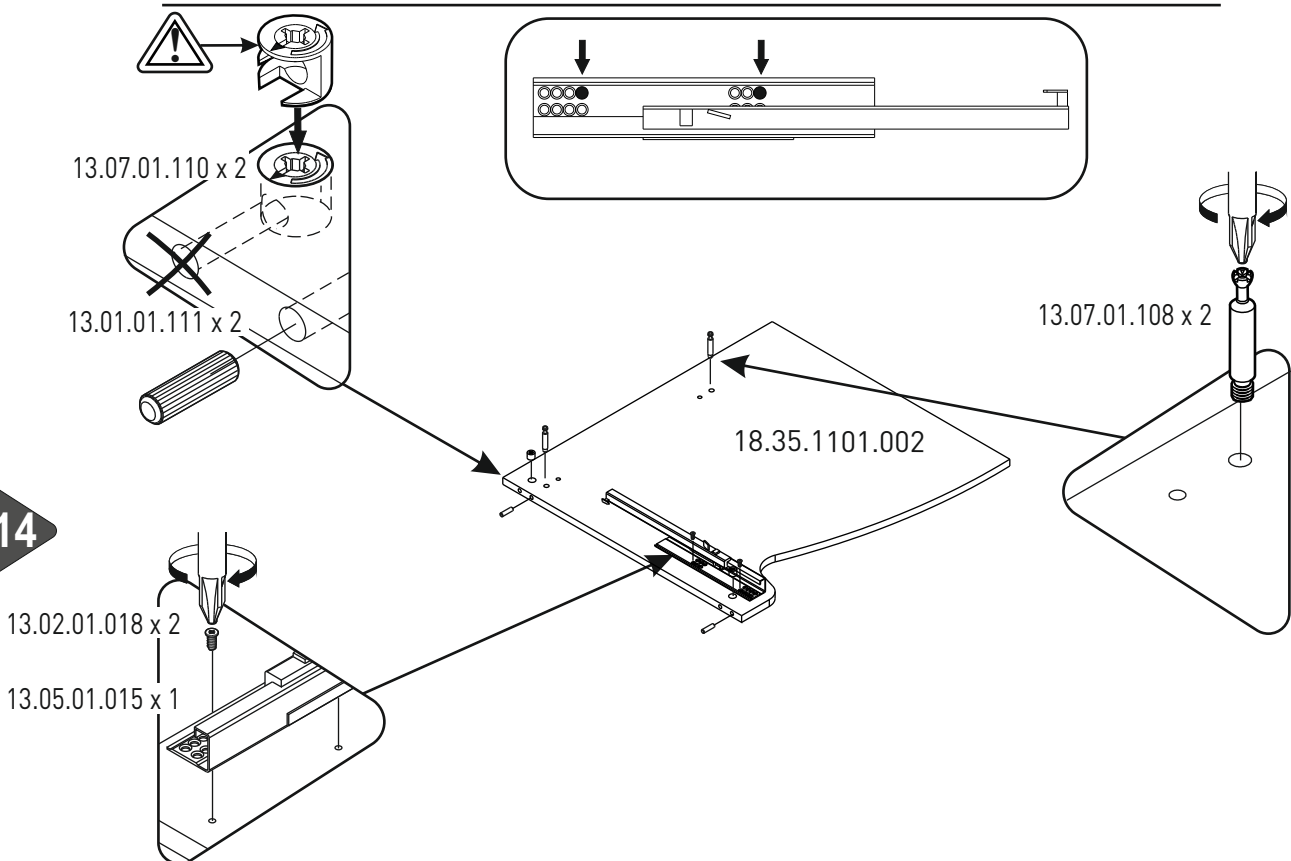
12



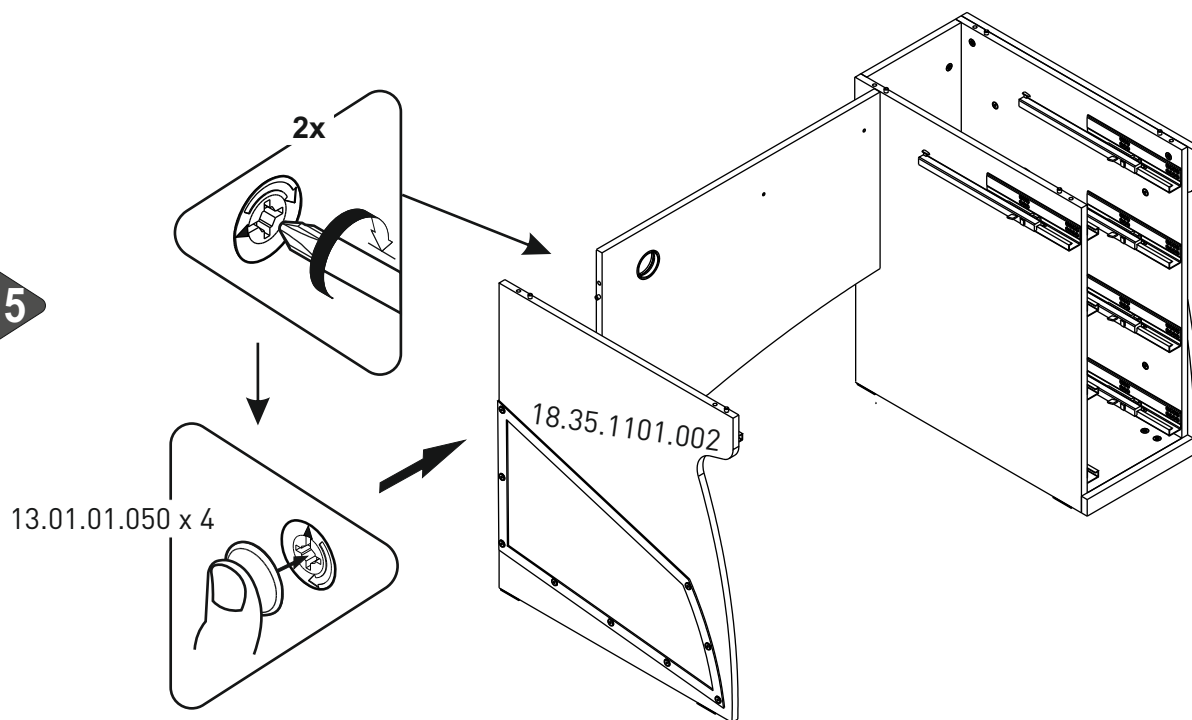
13



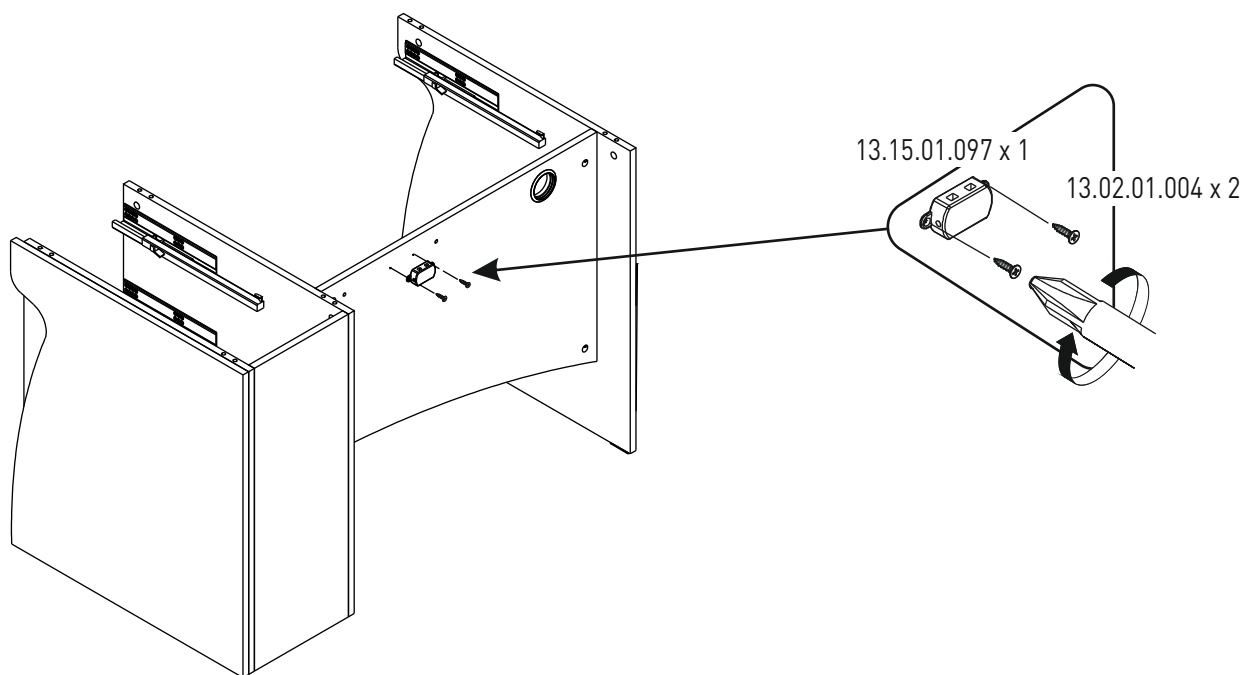
14



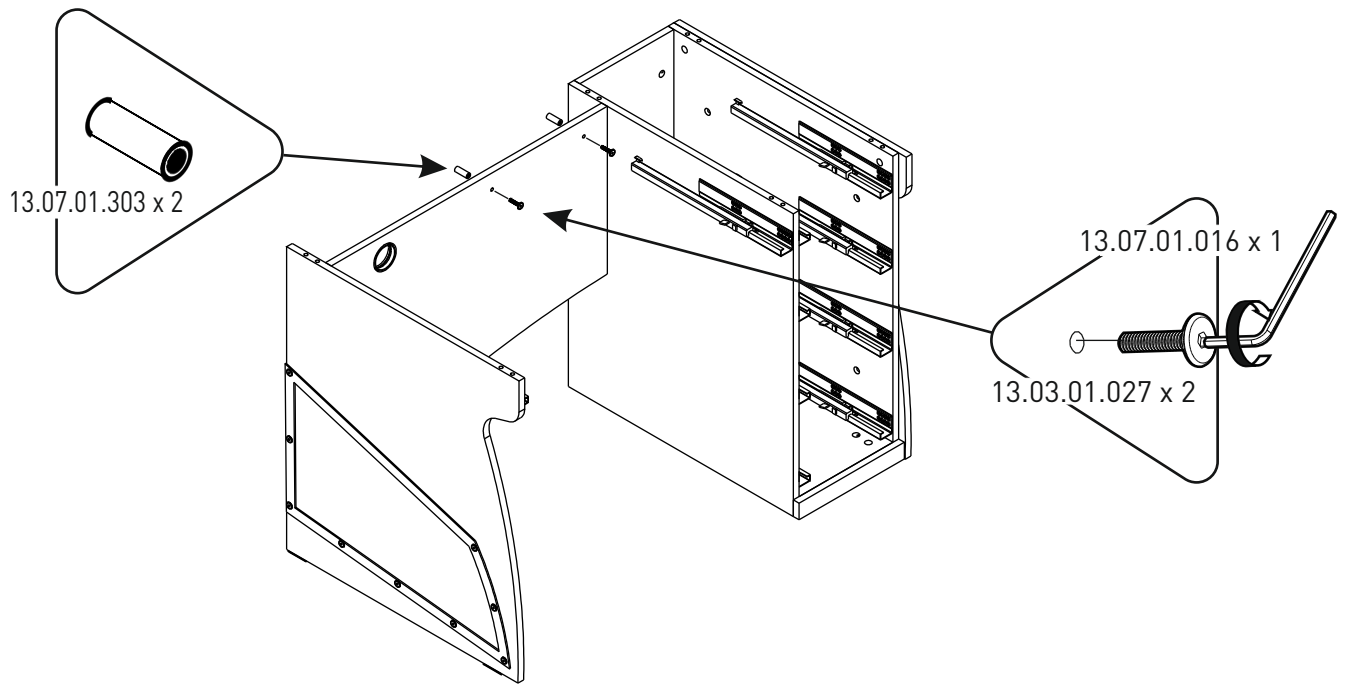
15



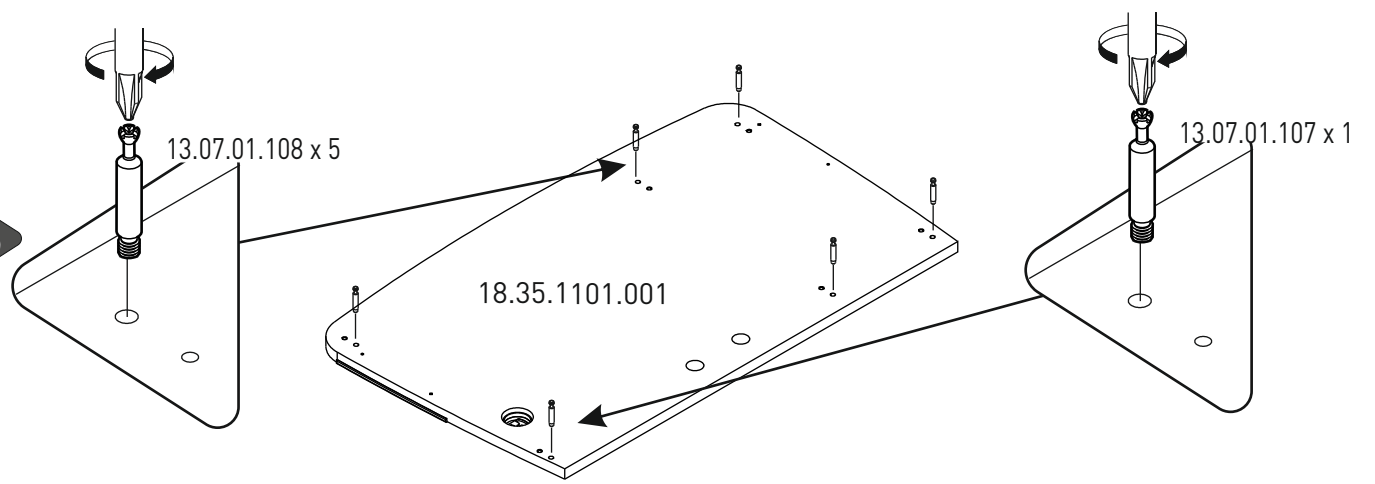
16



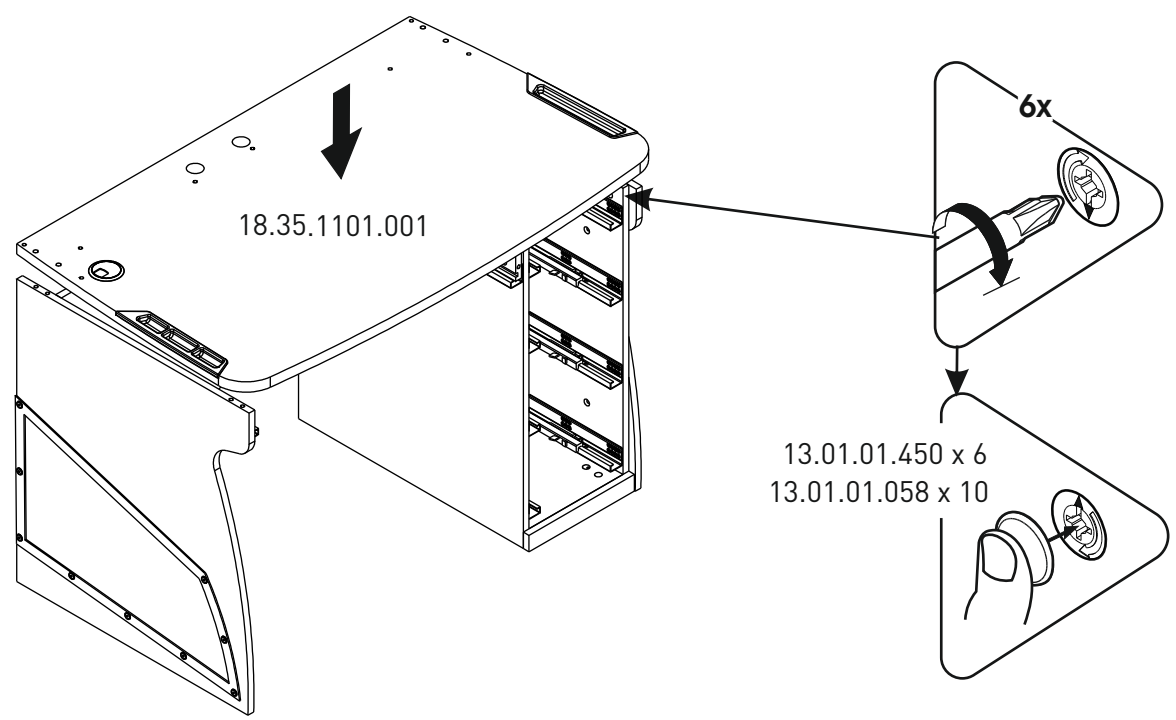
17



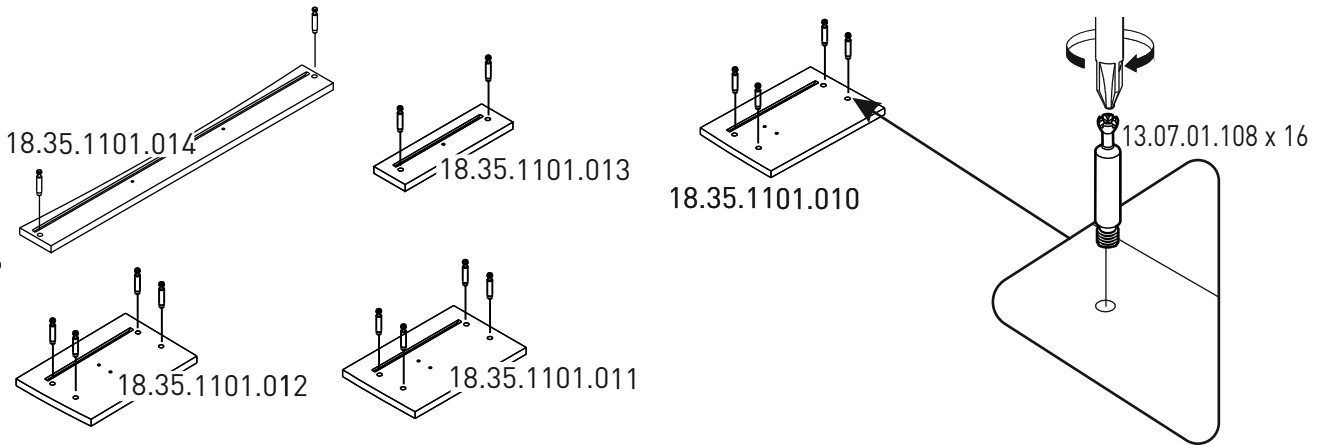
18



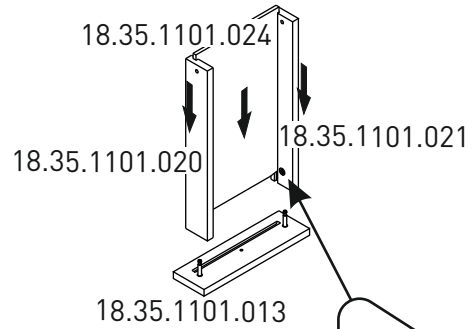
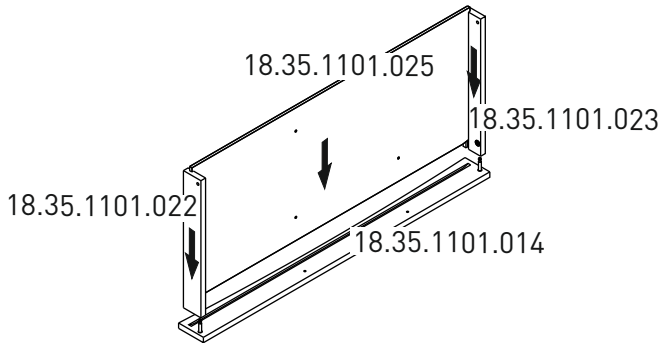
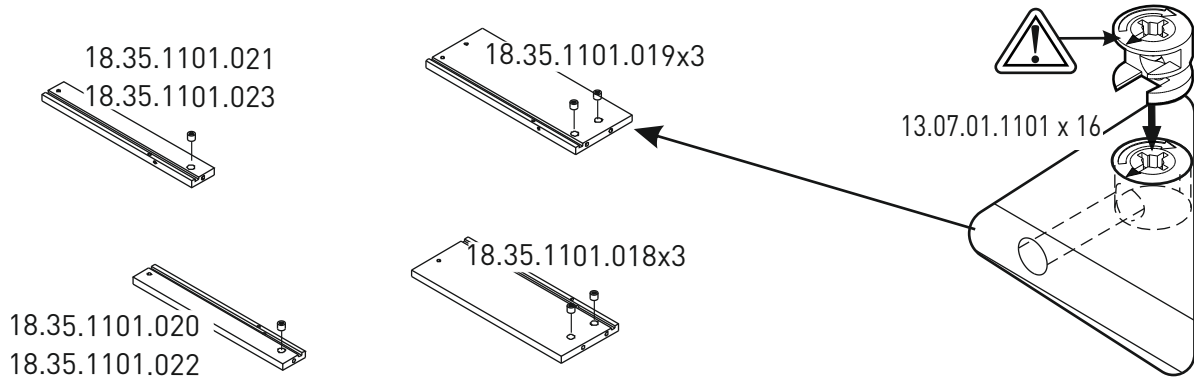
19



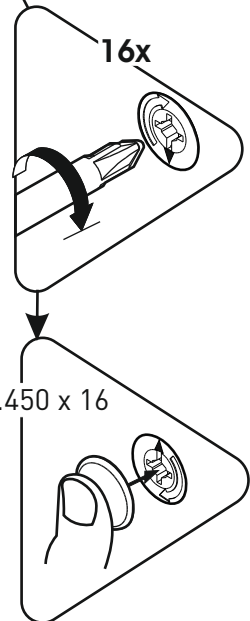
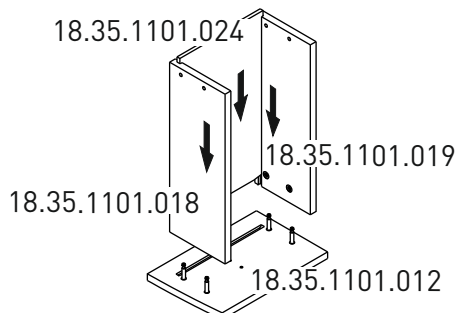
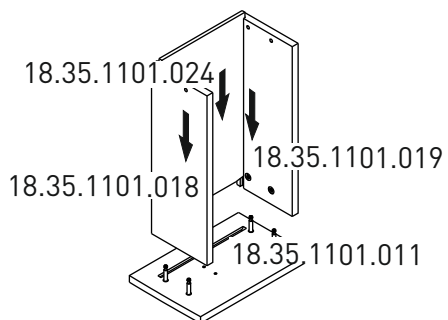
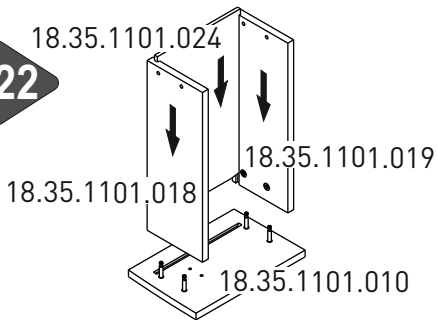
20



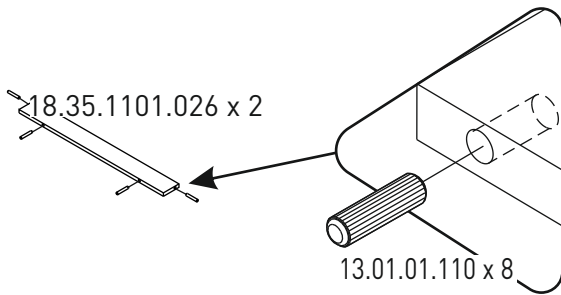
21



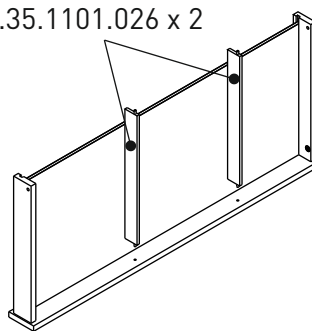
22



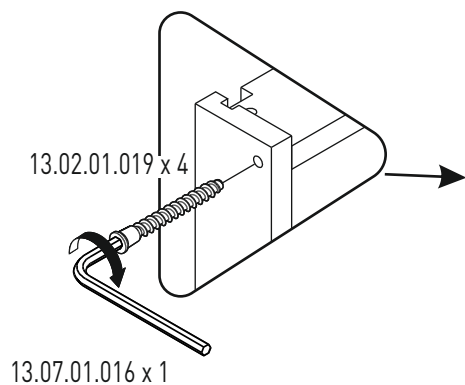
23



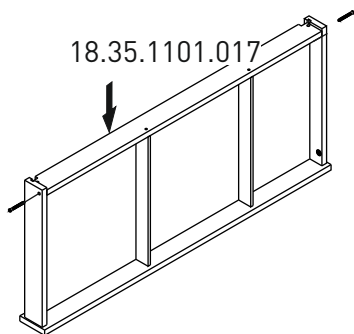
18.35.1101.026 x 2



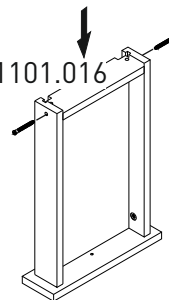
24



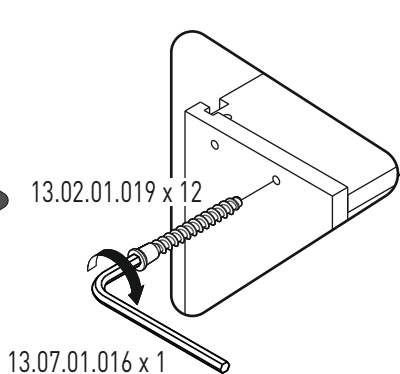
18.35.1101.017



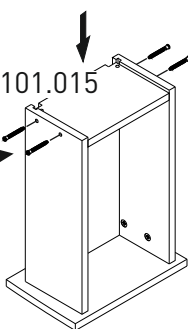
18.35.1101.016



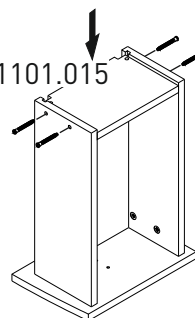
25



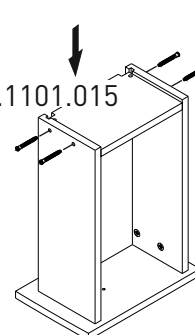
18.35.1101.015



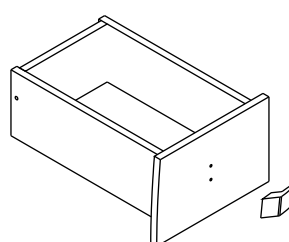
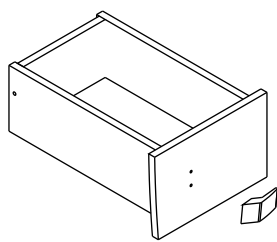
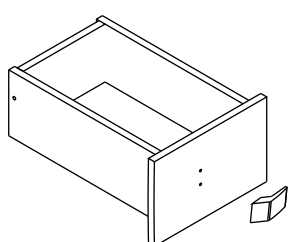
18.35.1101.015



18.35.1101.015

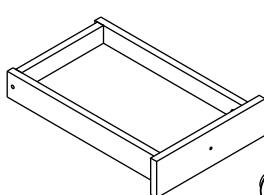
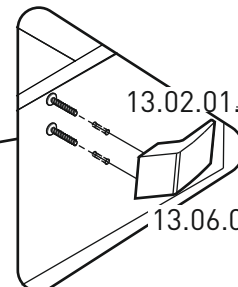


26



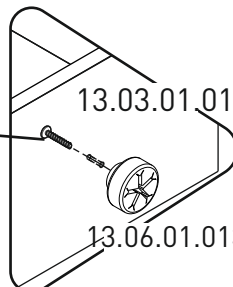
13.02.01.024 x 6

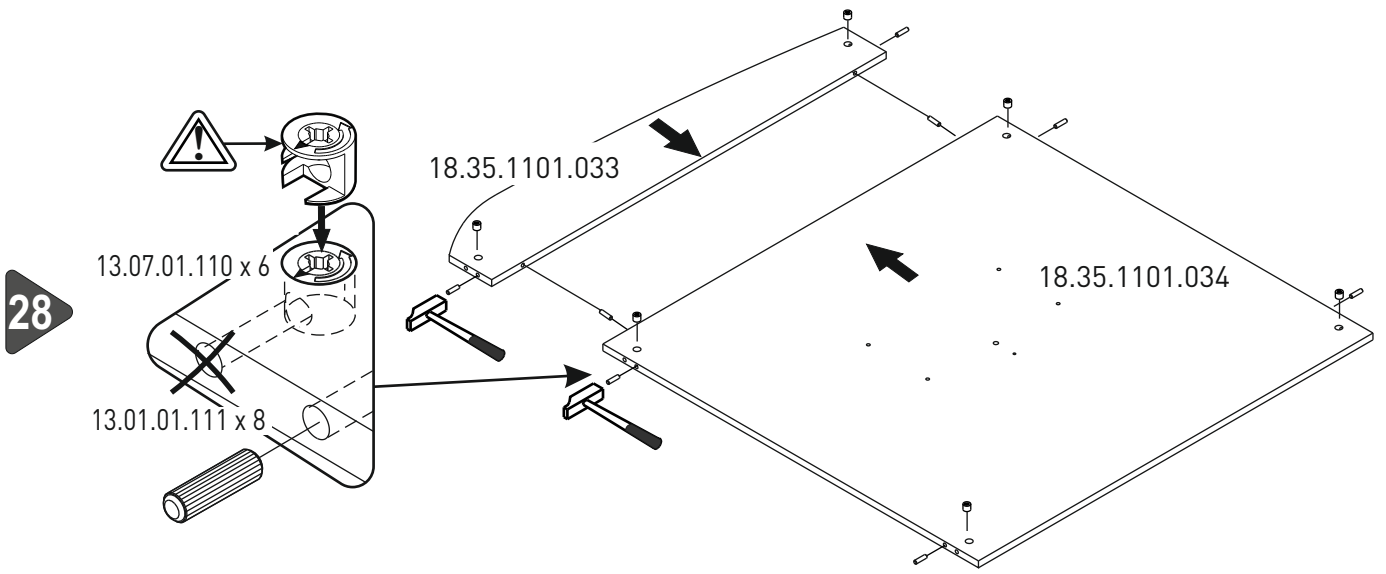
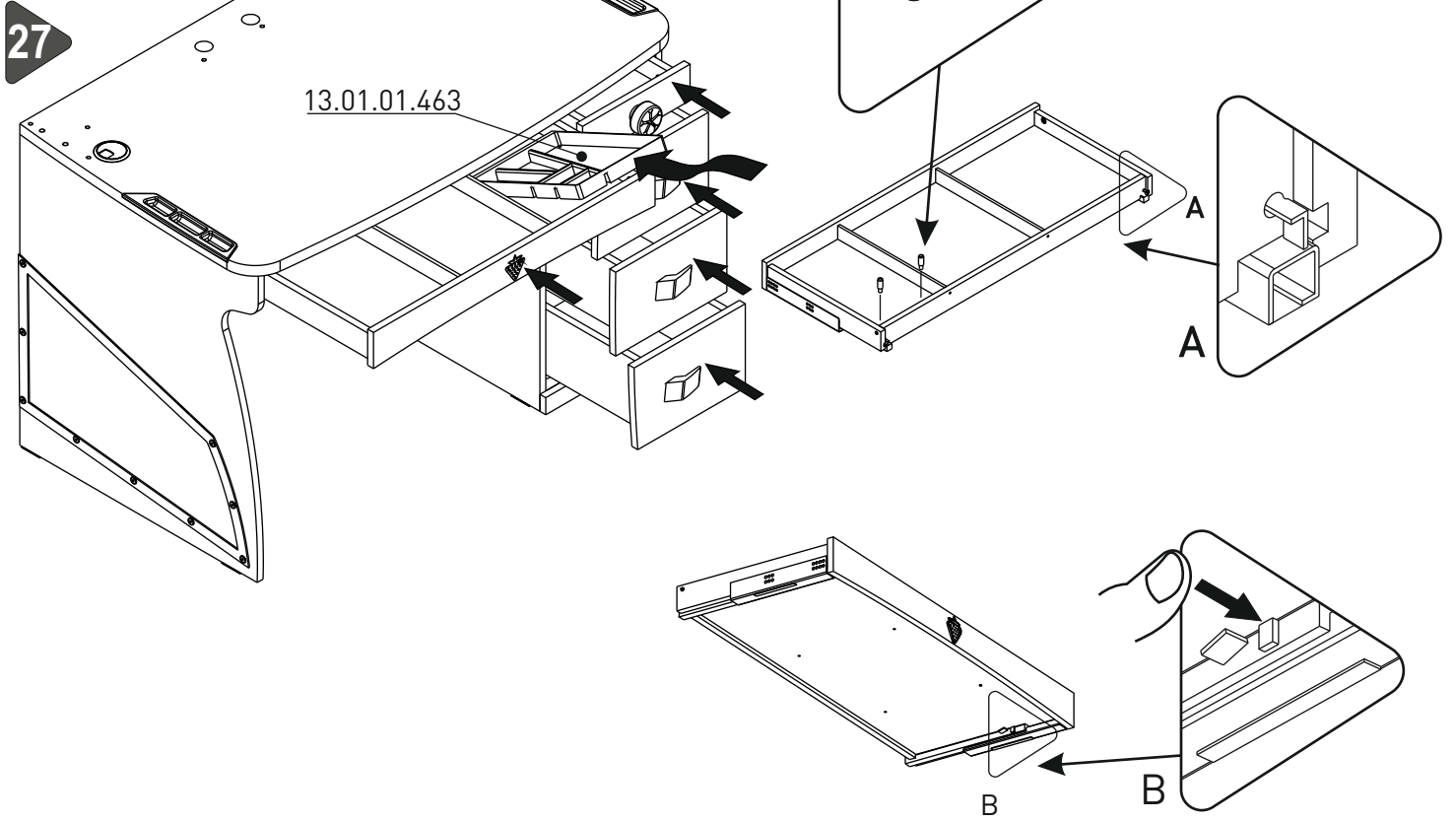
13.06.01.009 x 3



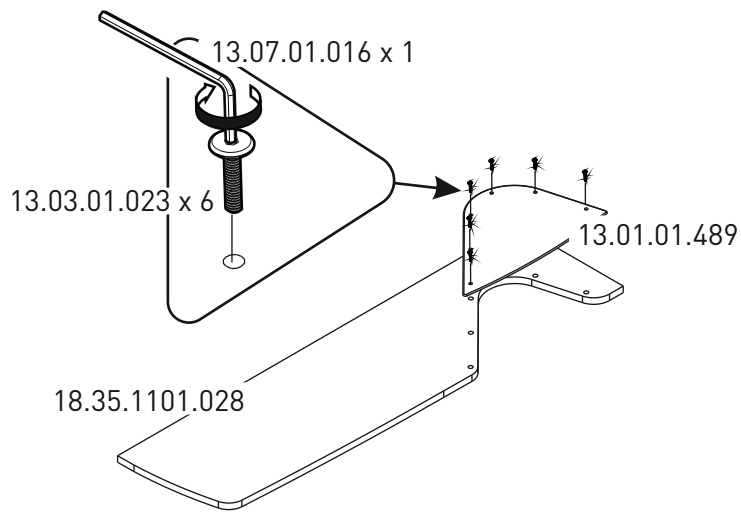
13.03.01.012 x 1

13.06.01.013 x 1

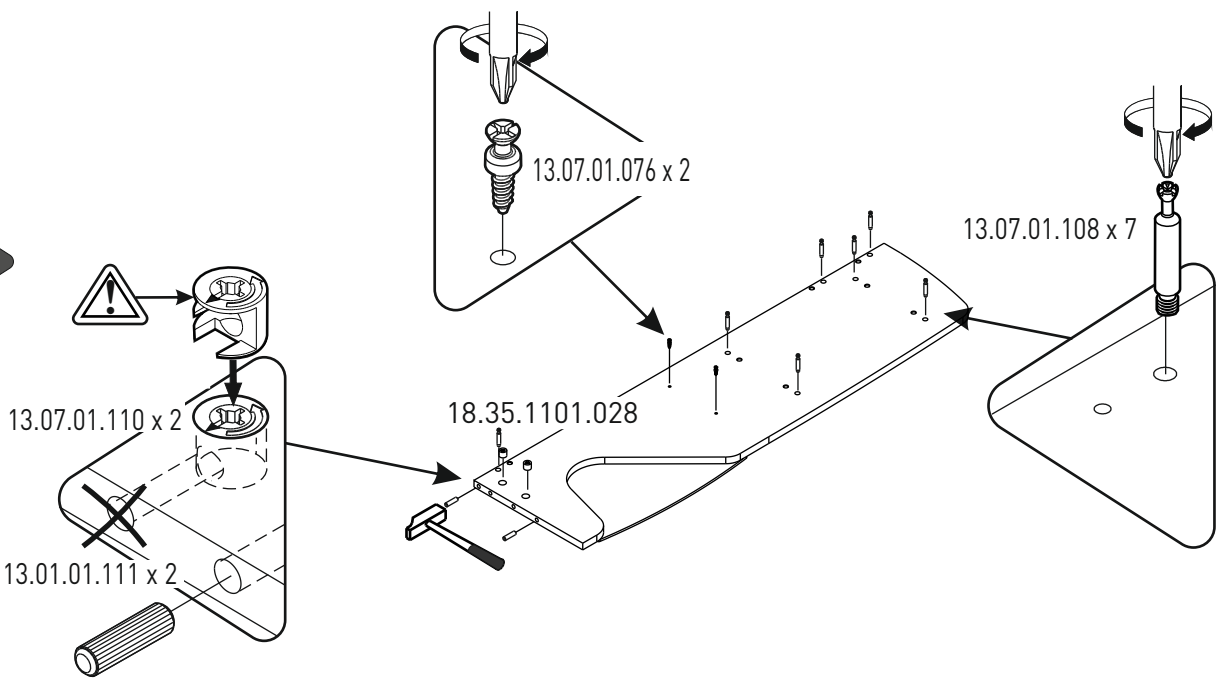




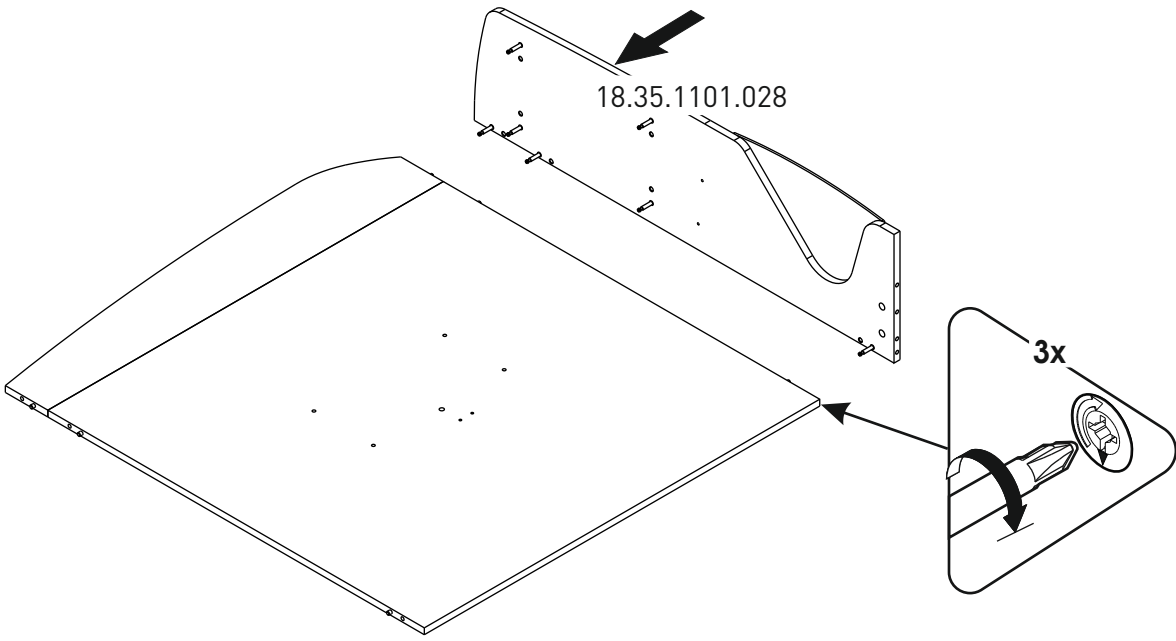
29



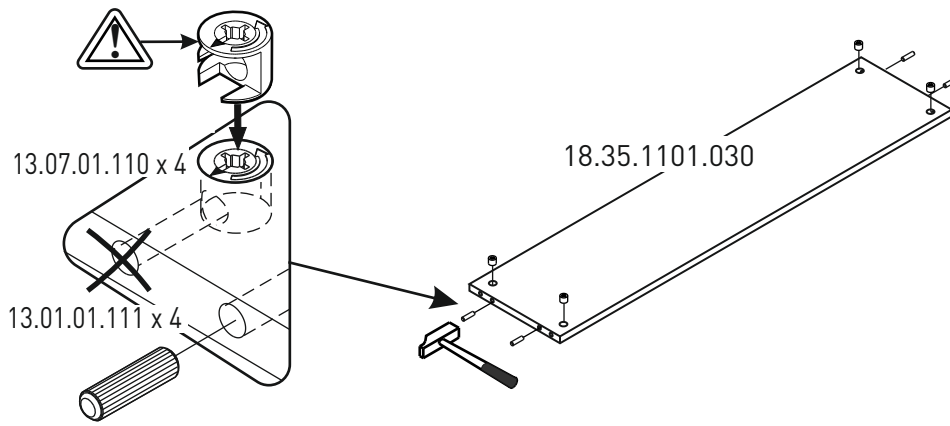
30



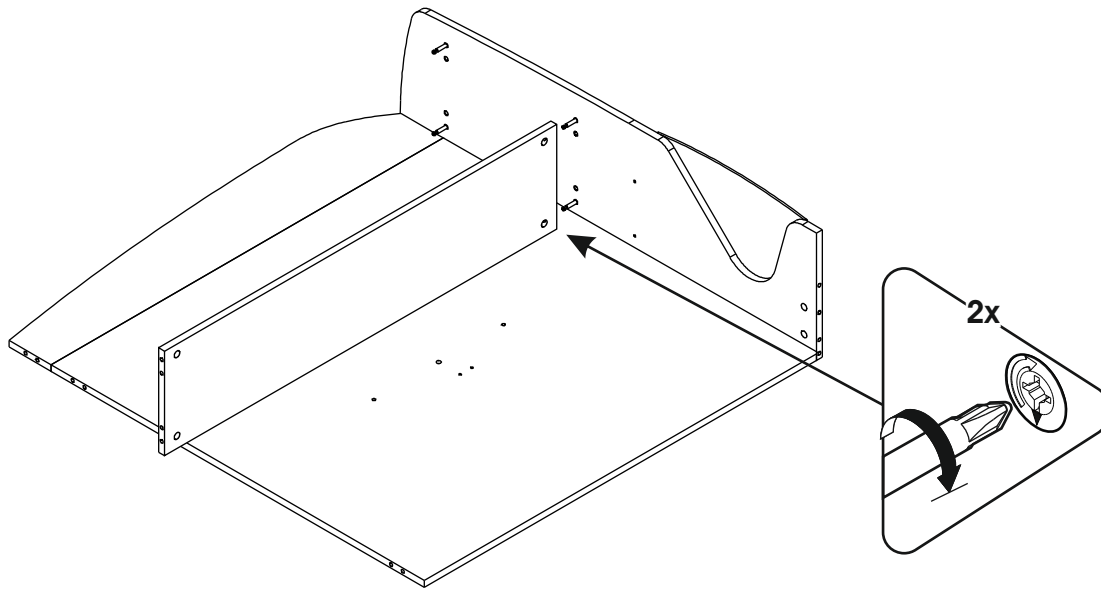
31



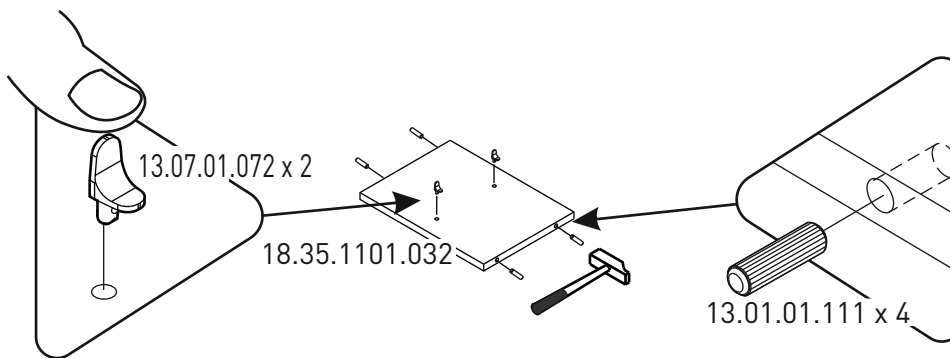
32



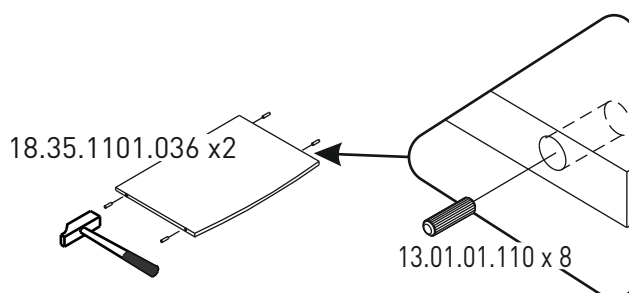
33



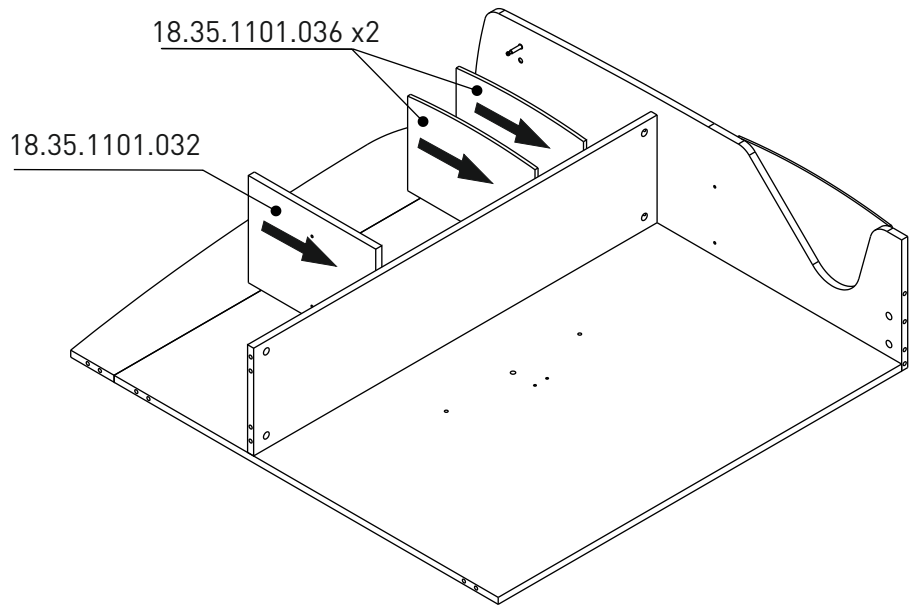
34



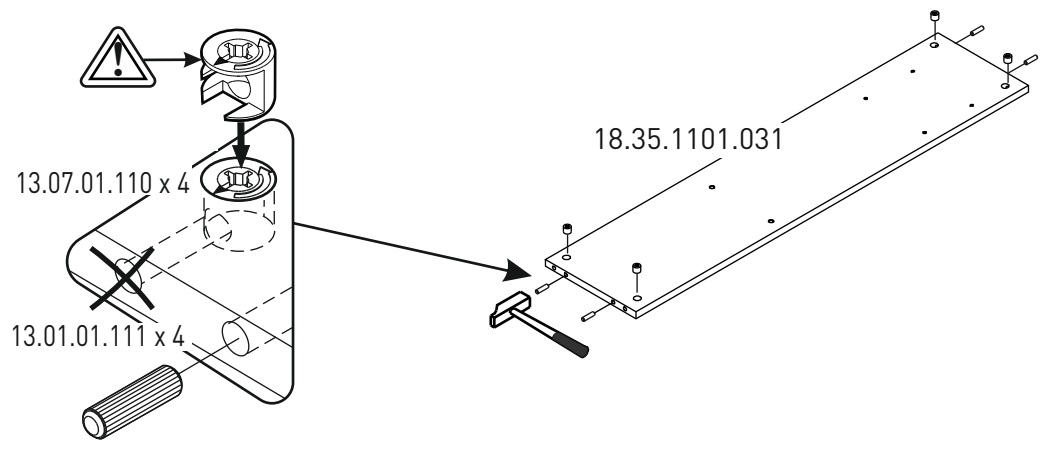
35



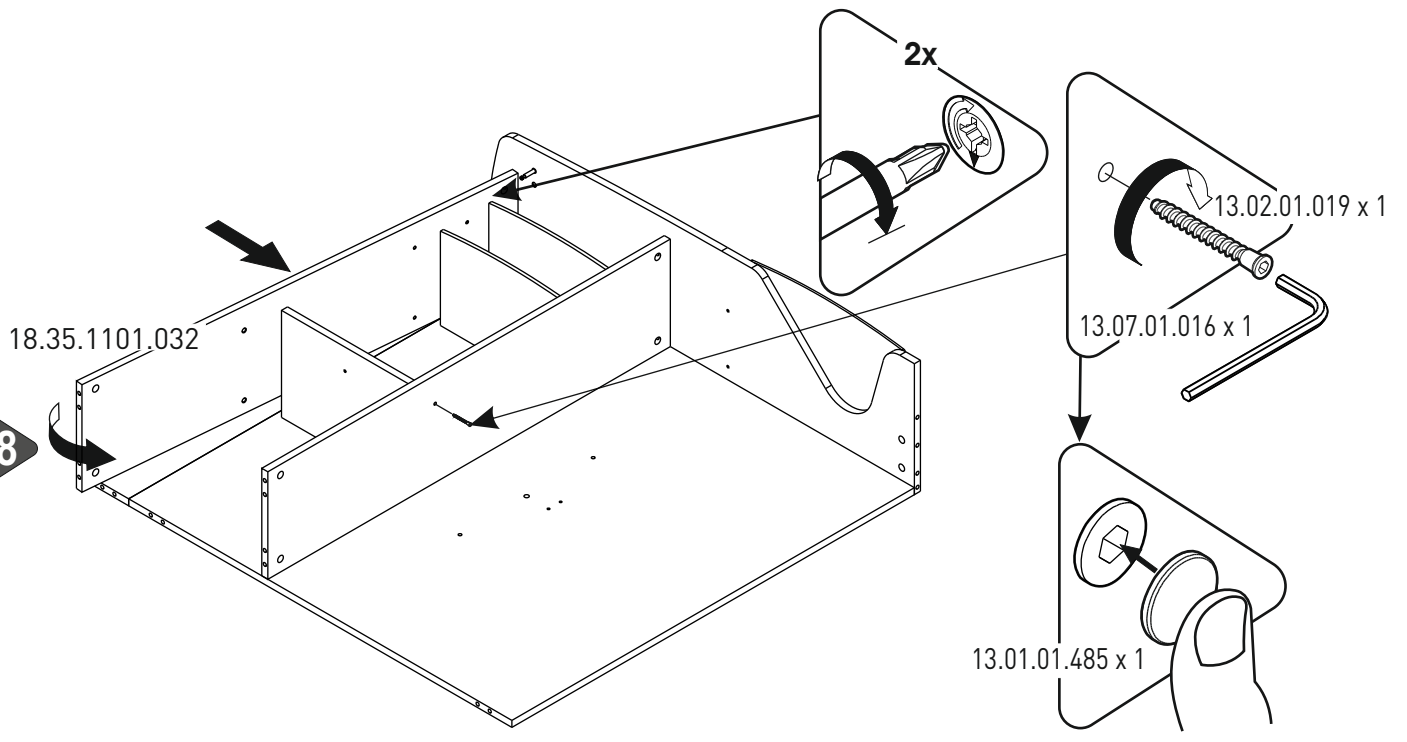
36



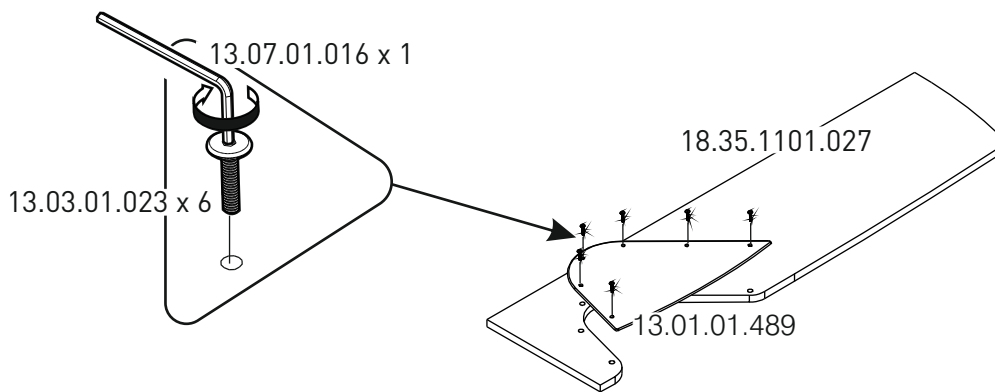
37



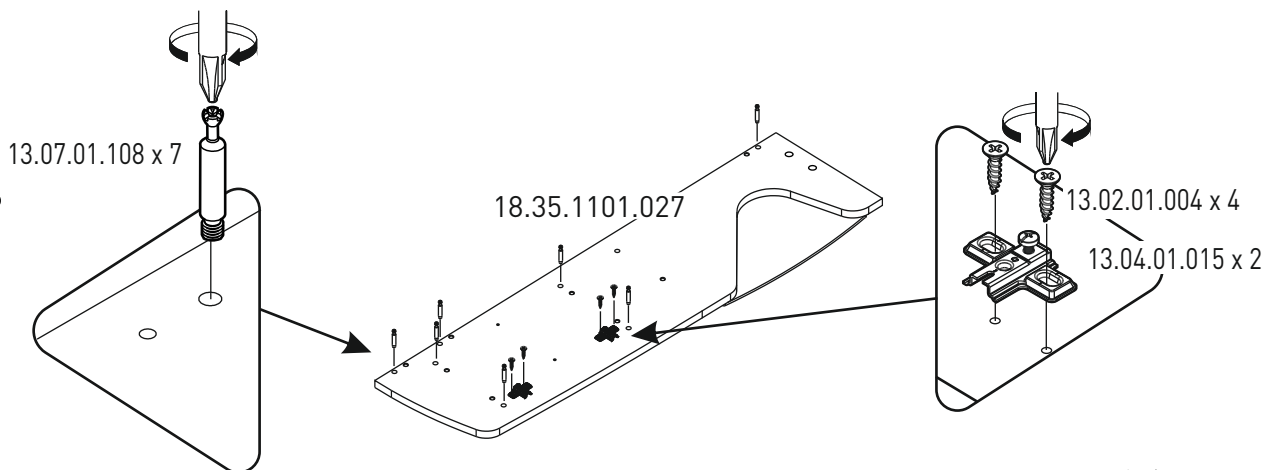
38



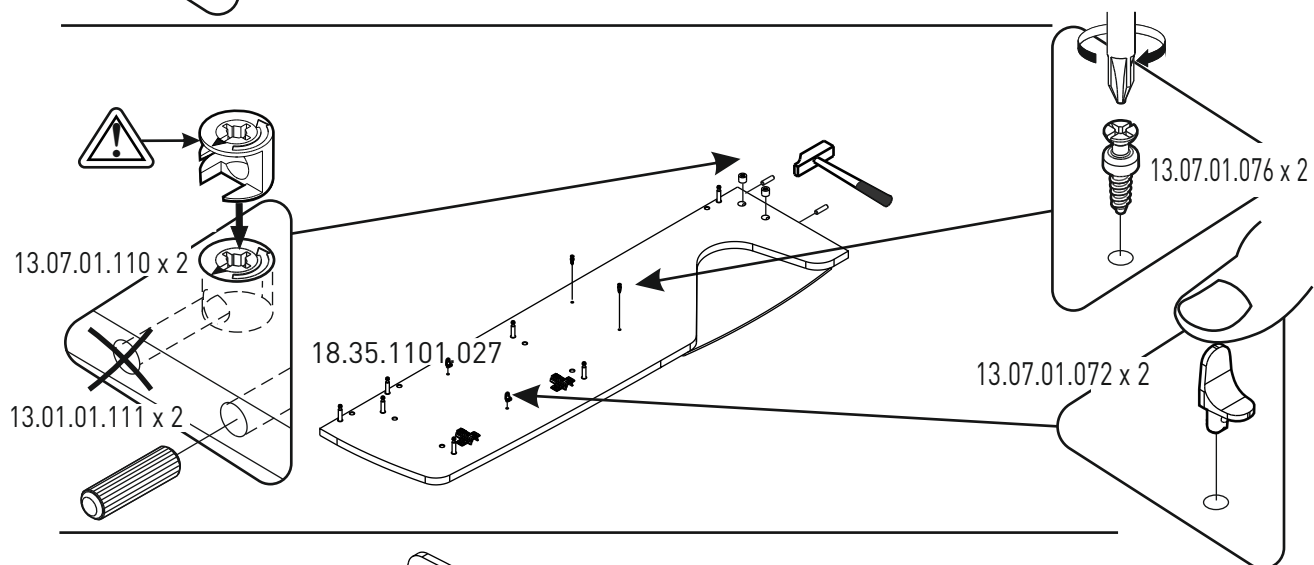
39



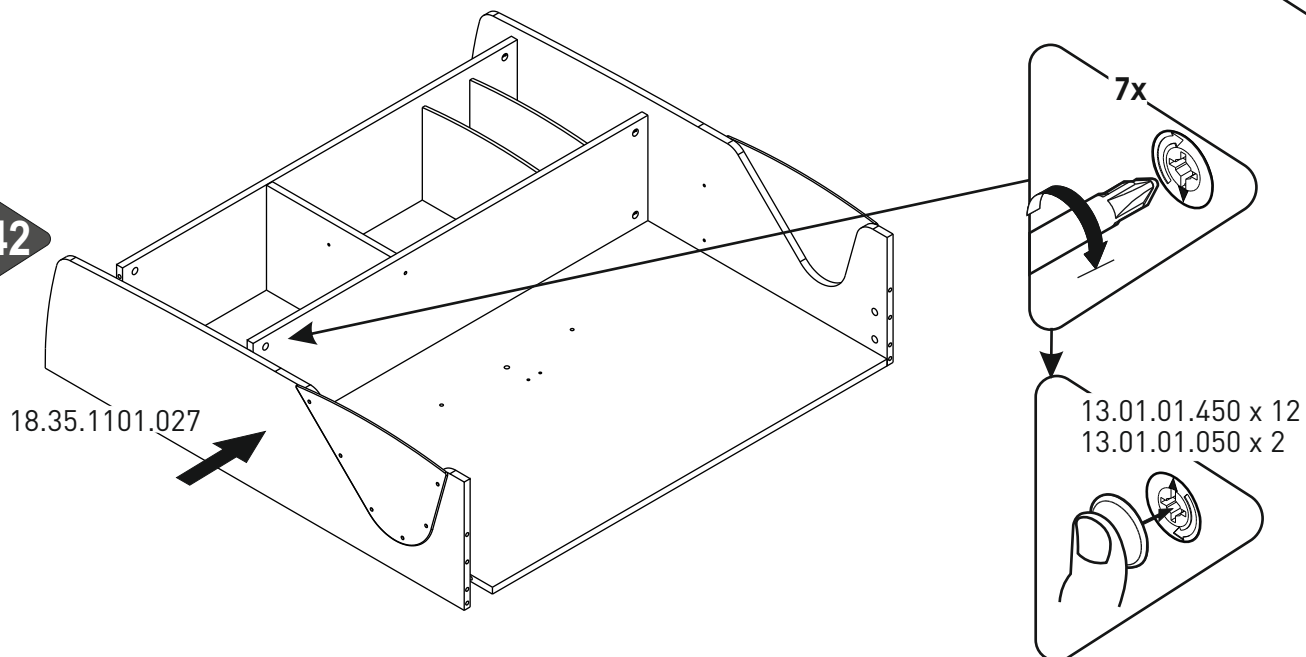
40



41

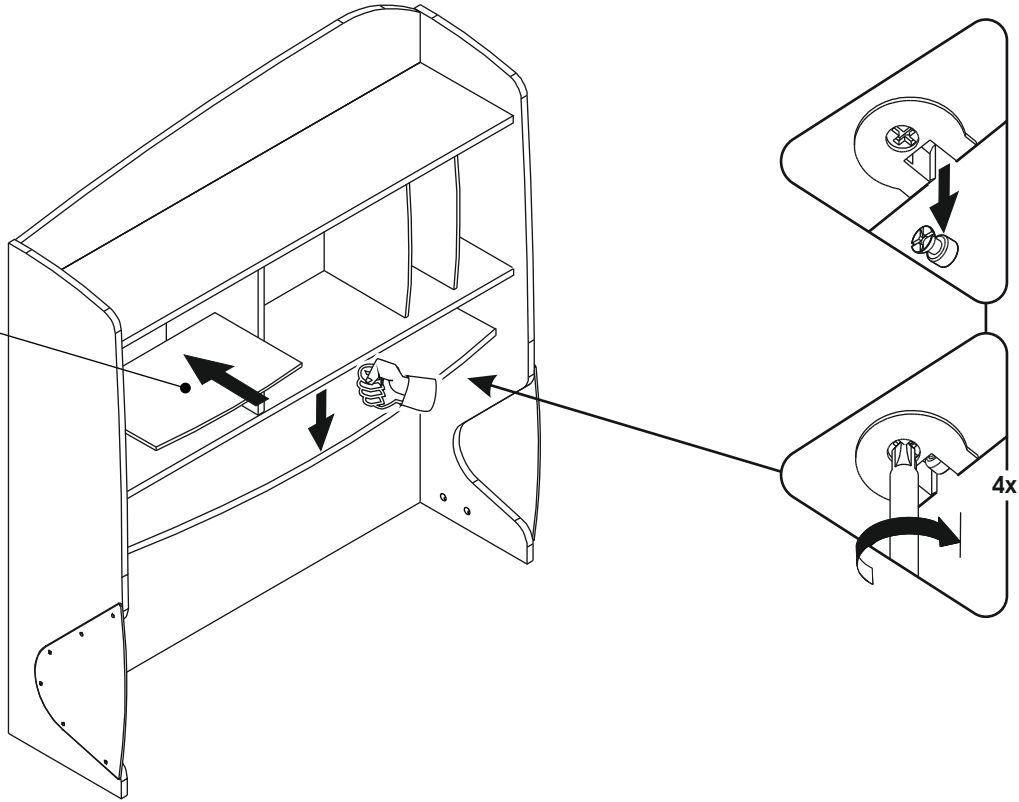


42



43

18.35.1101.037

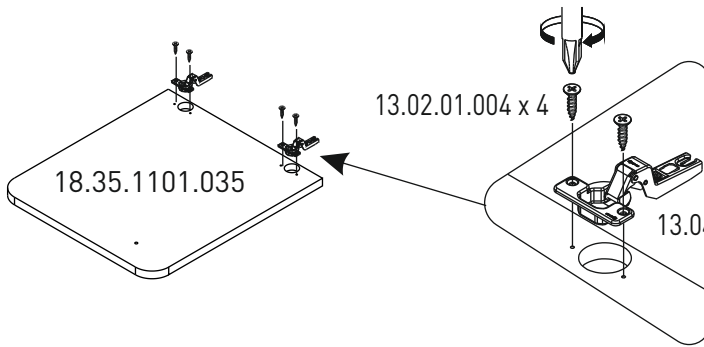


44

18.35.1101.035

13.02.01.004 x 4

13.04.01.014 x 2

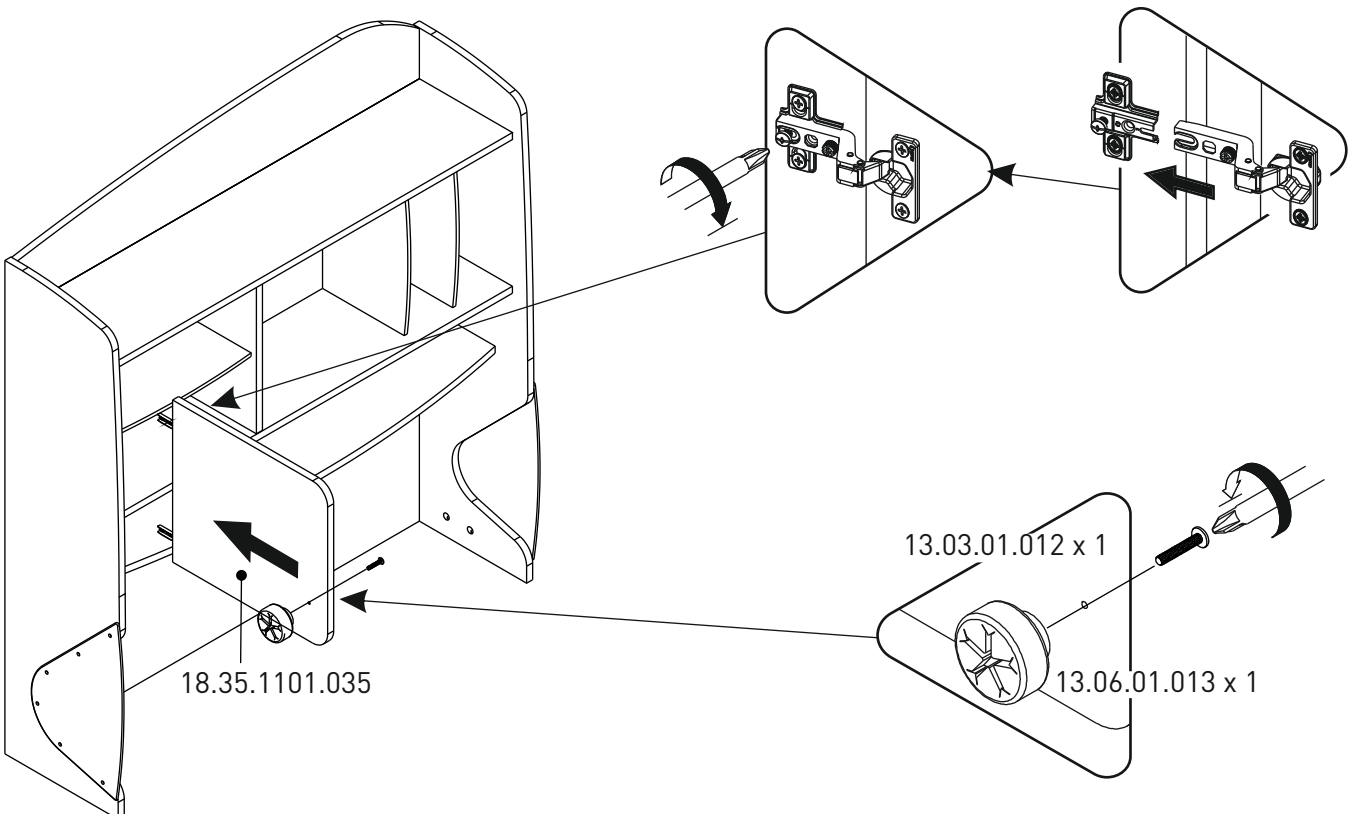


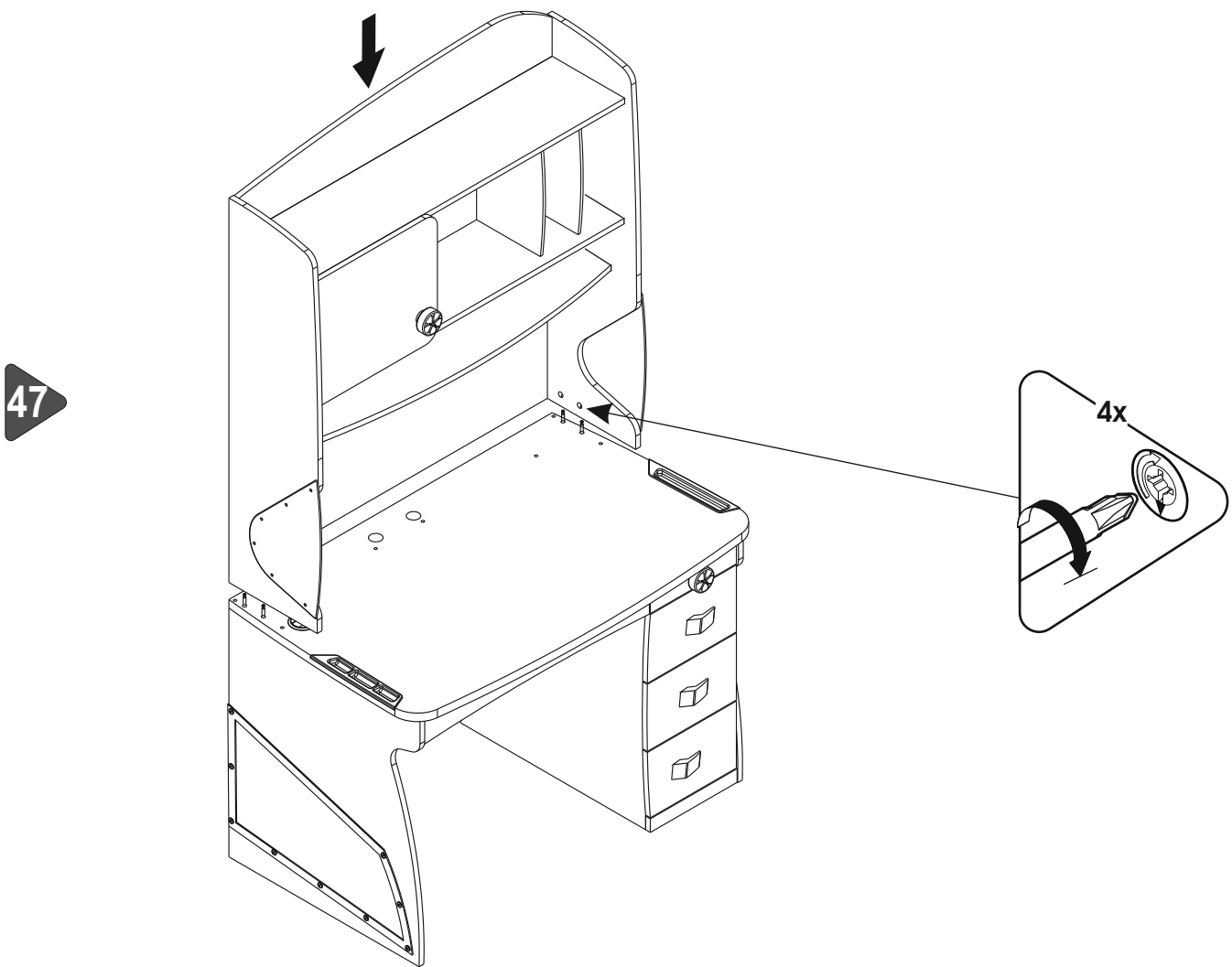
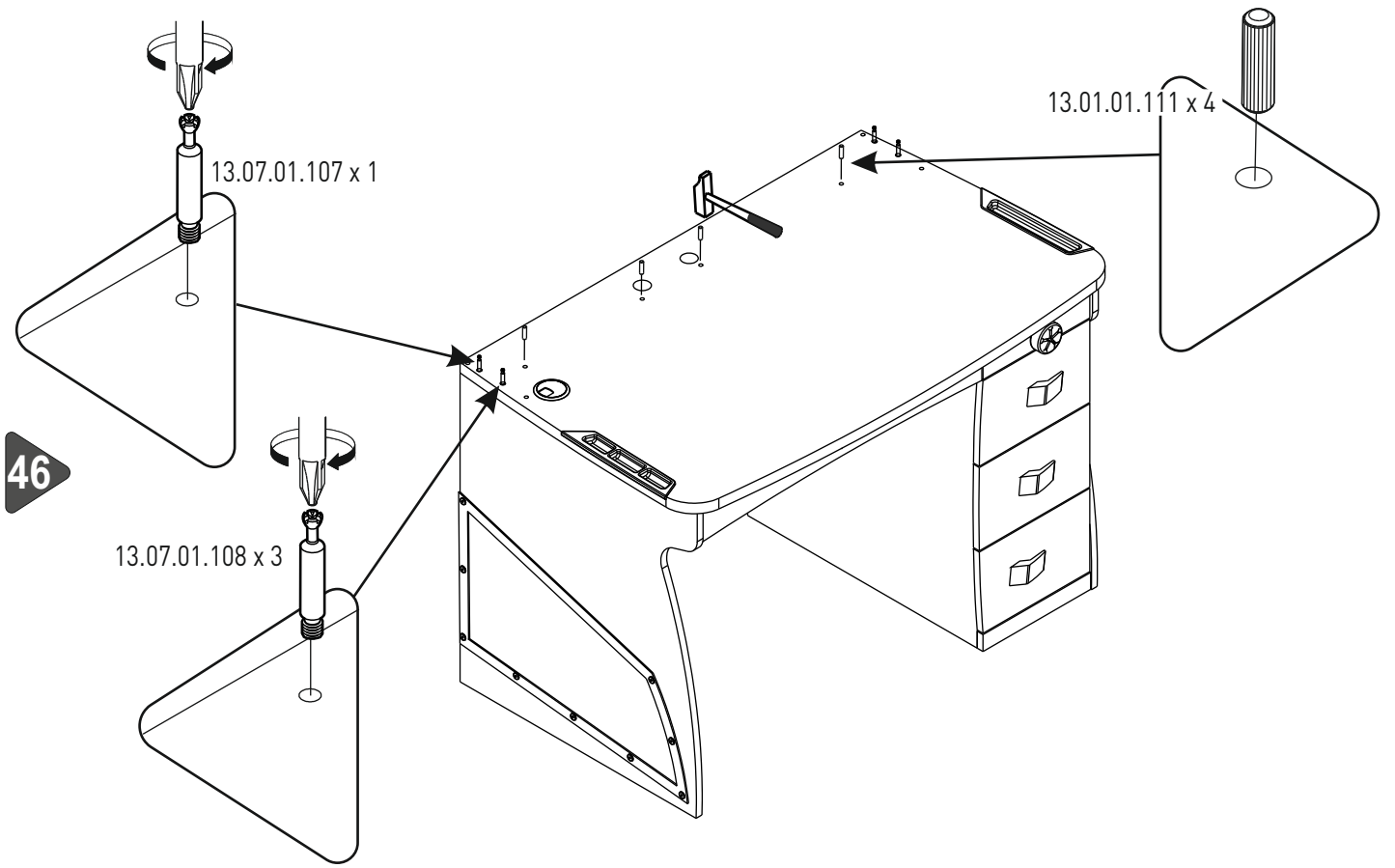
45

18.35.1101.035

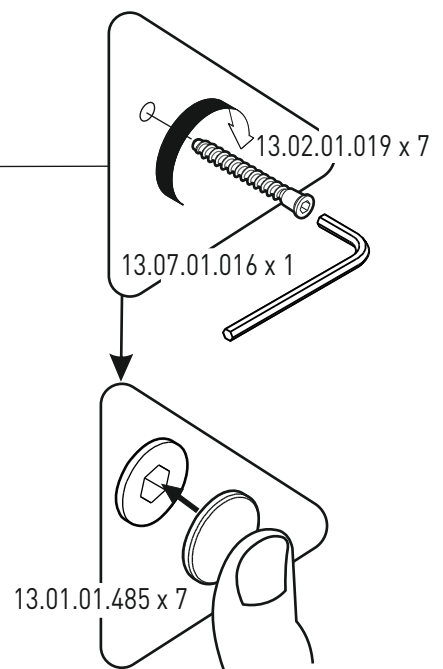
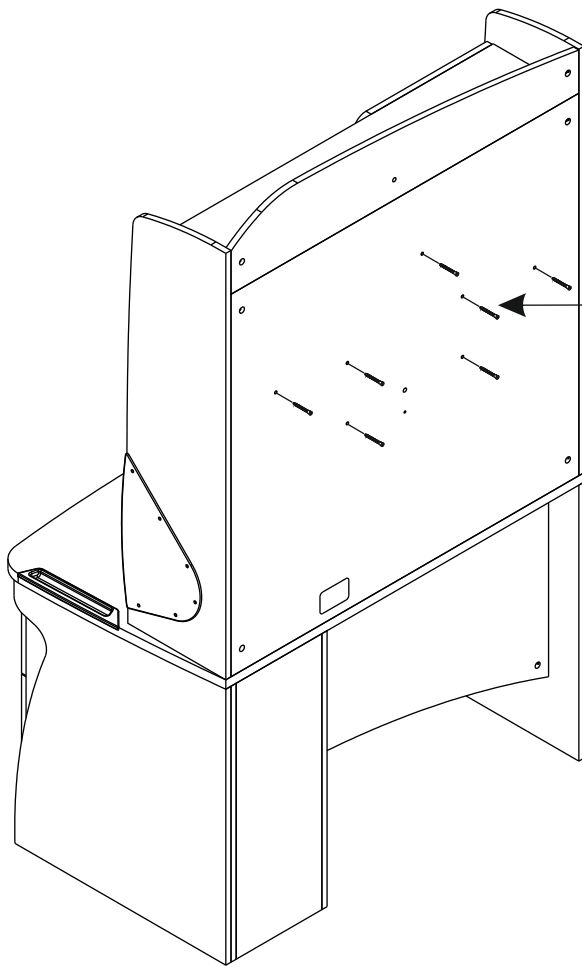
13.03.01.012 x 1

13.06.01.013 x 1

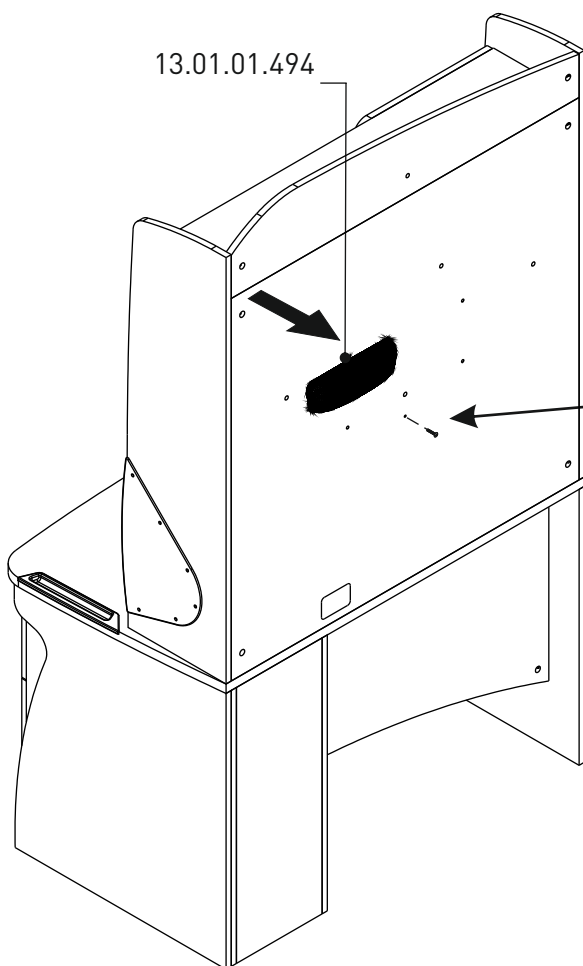




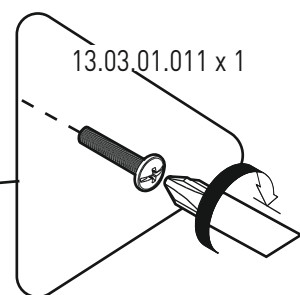
48



49



13.01.01.494

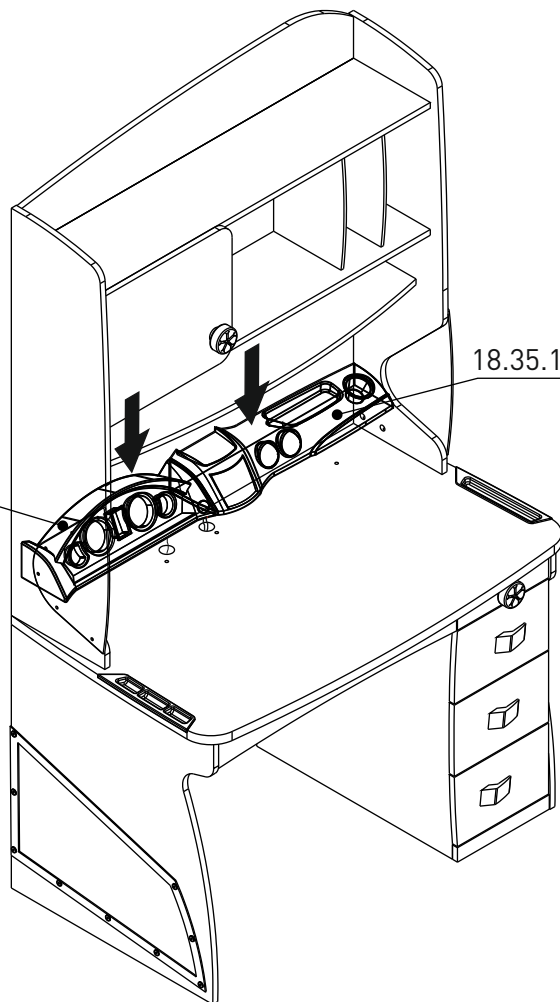


13.03.01.011 x 1

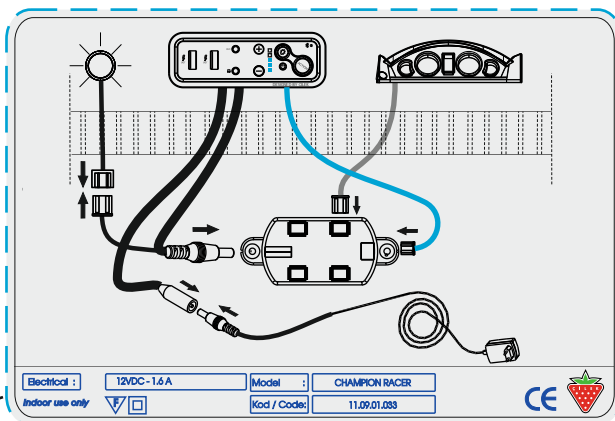
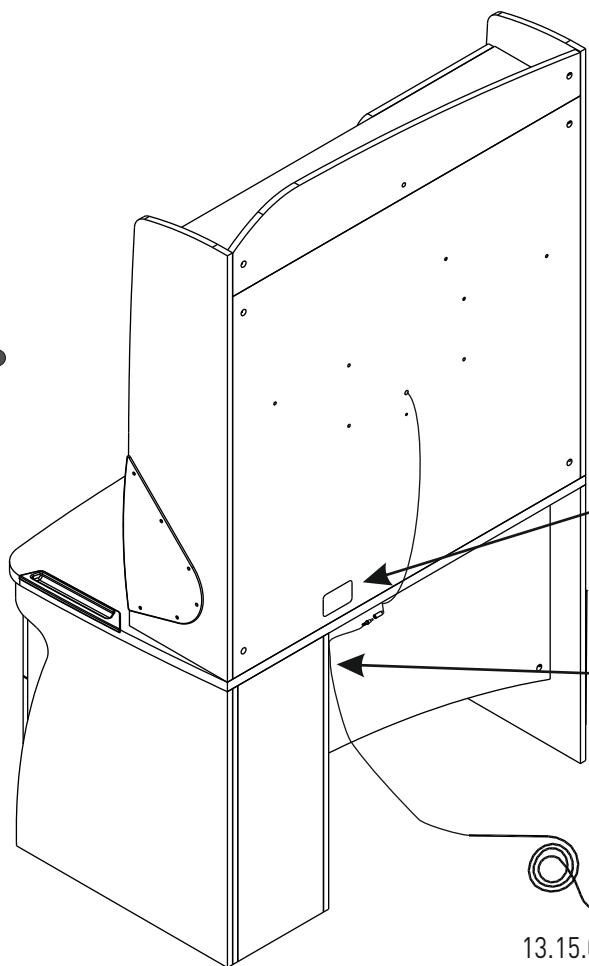
50

18.35.1101.042

18.35.1101.041



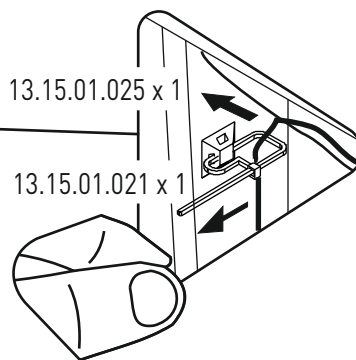
51



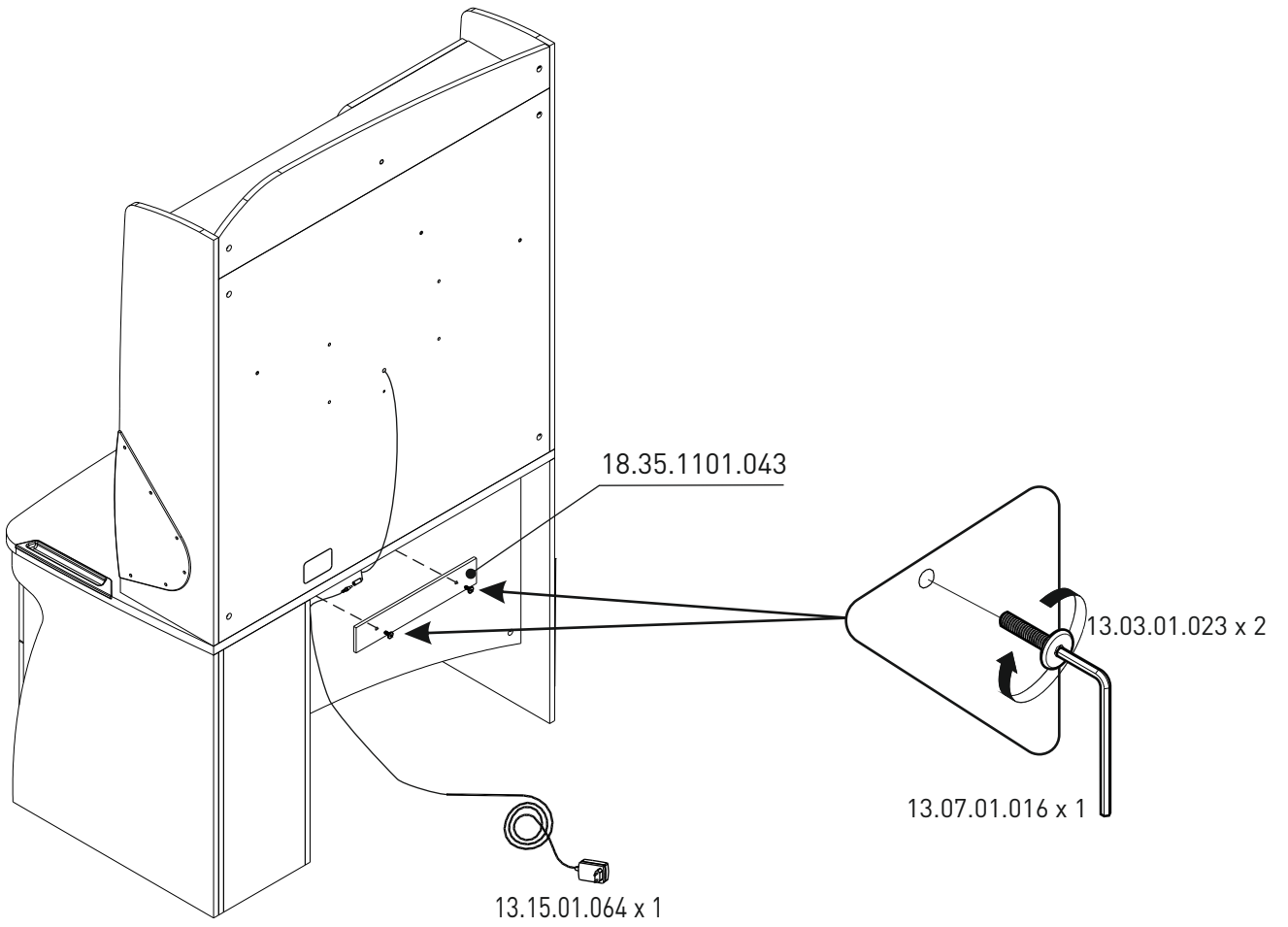
13.15.01.025 x 1

13.15.01.021 x 1

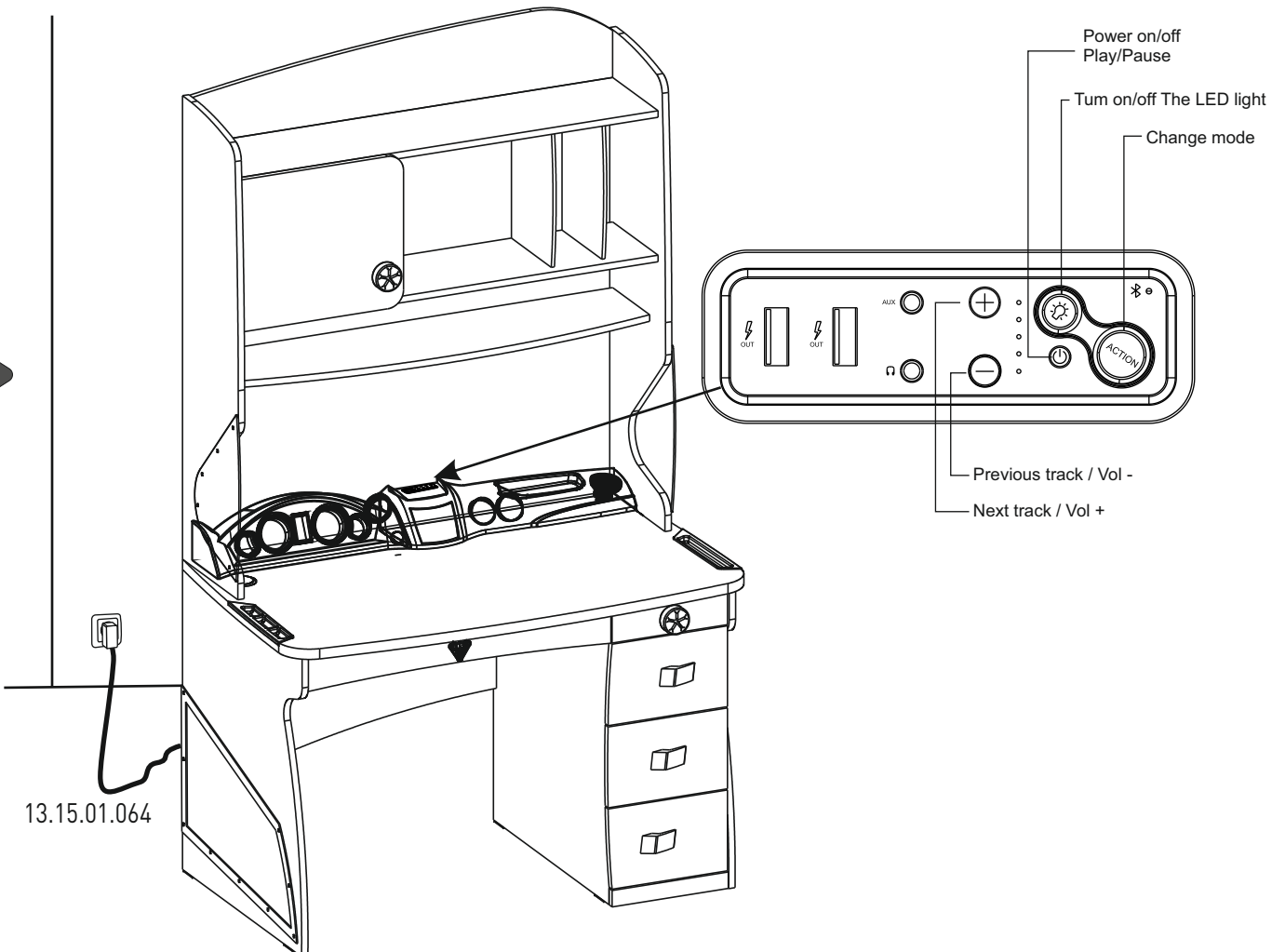
13.15.01.064 x 1



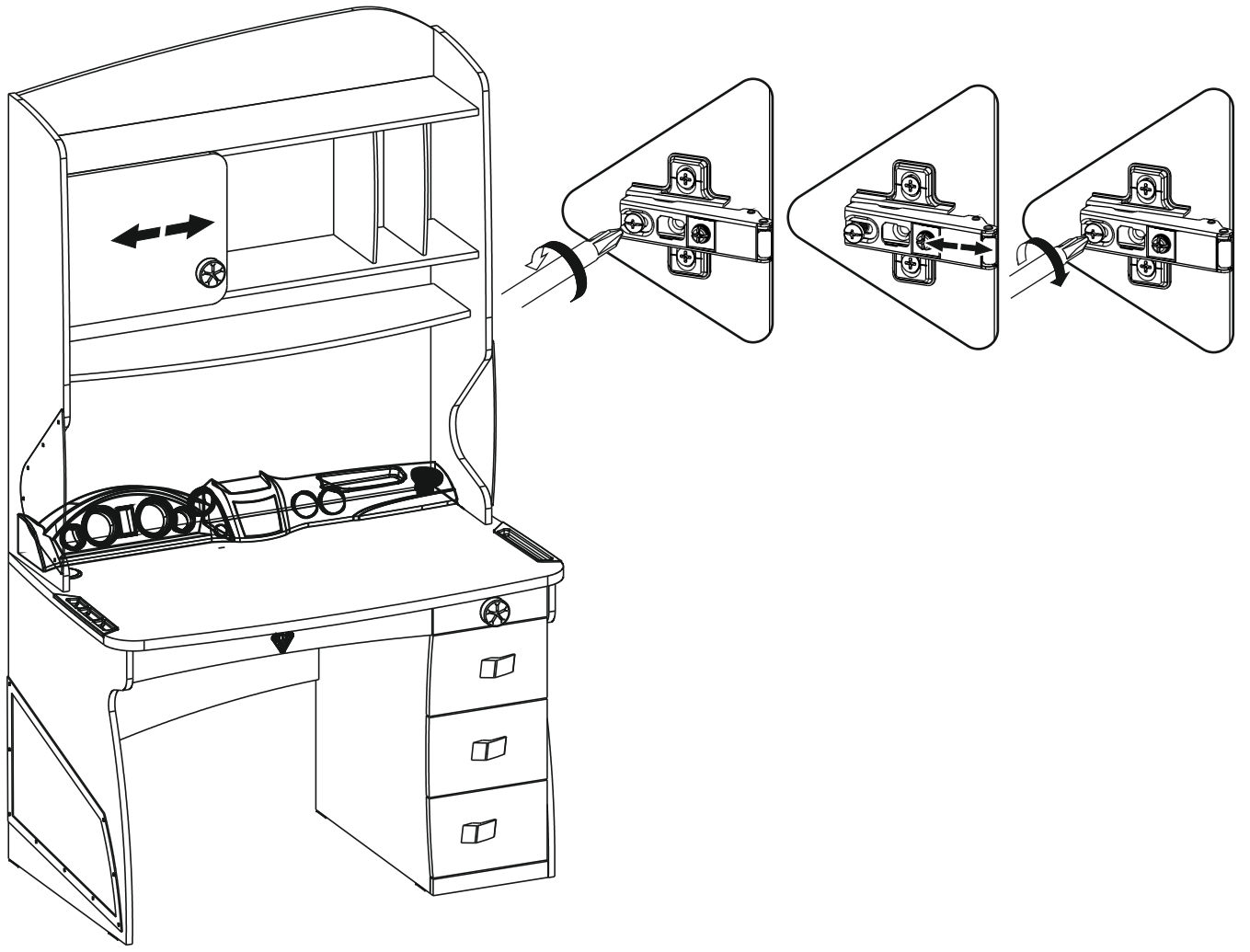
52



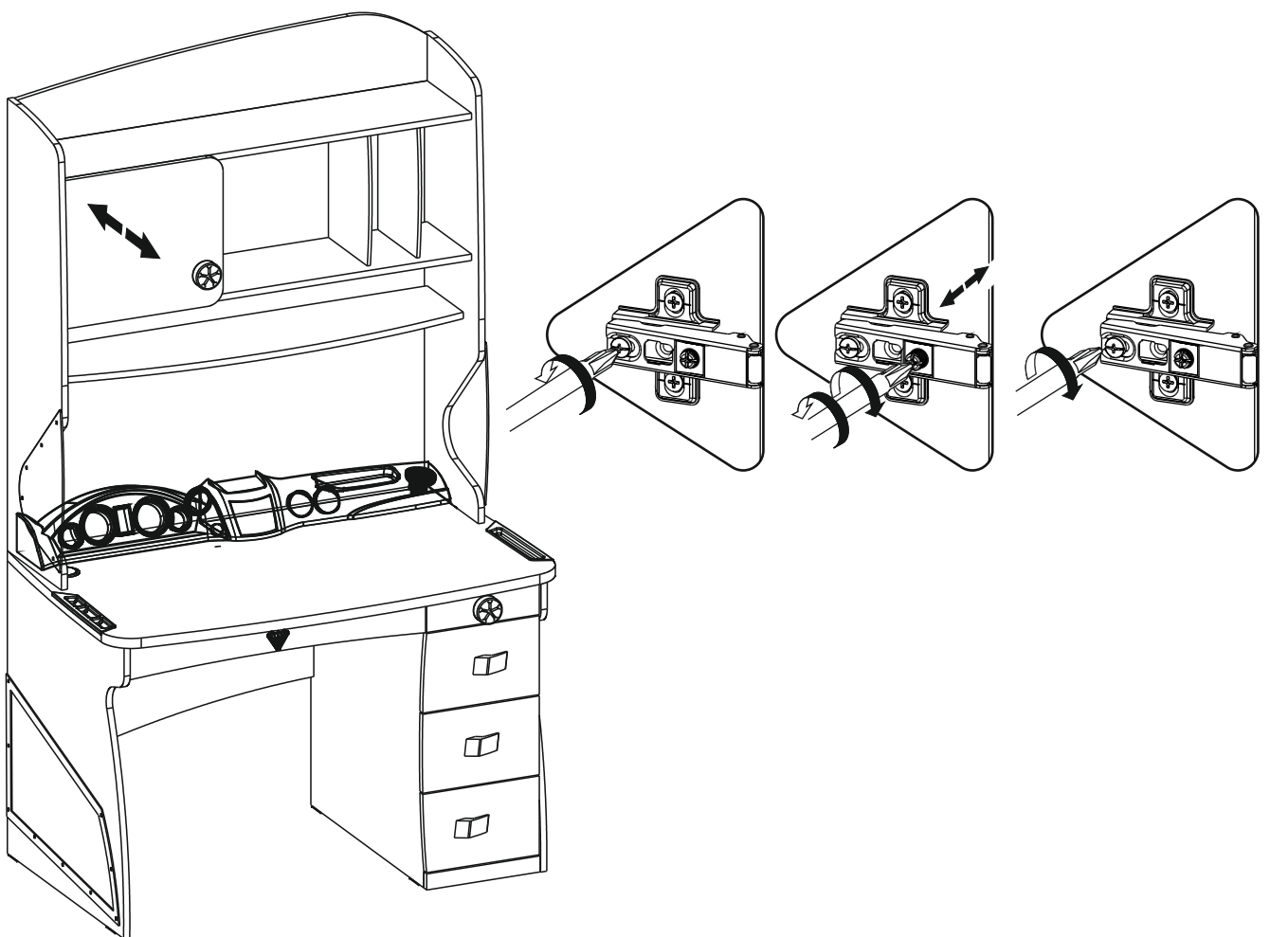
53



54



55



13.07.01.135 x 1

13.03.01.021 x 1

1x

13.07.01.135 x 1

Ø8
5/16"

1x

56

13.01.01.175 x 1

13.02.01.011 x 1

