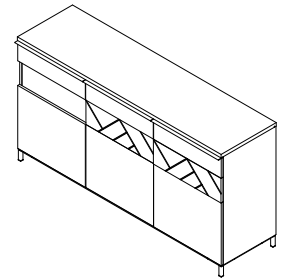
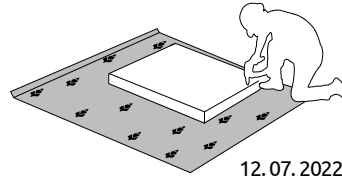
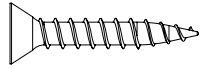
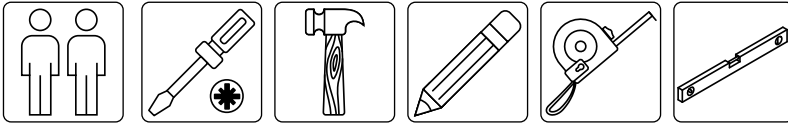




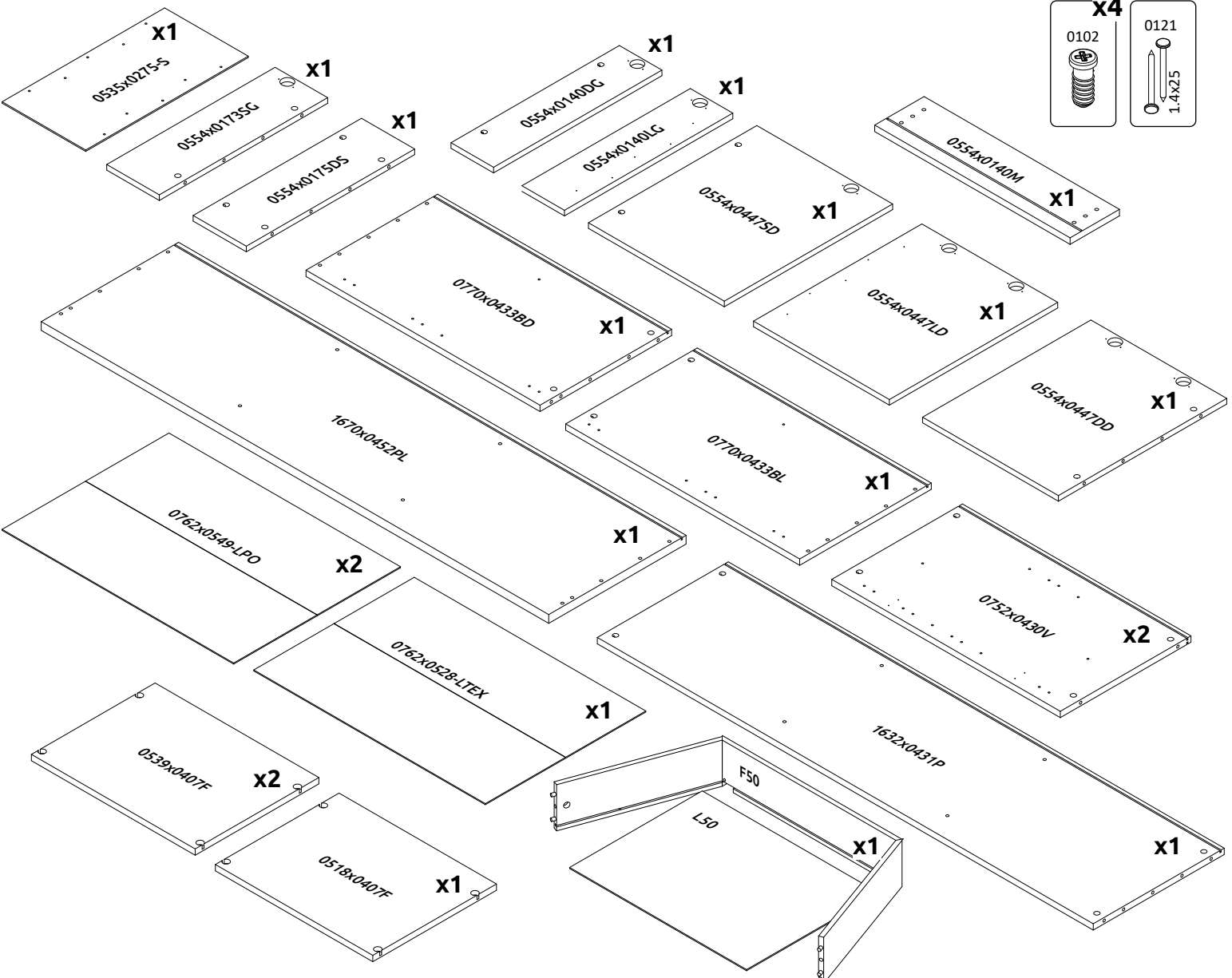
IMPORTANT - READ CAREFULLY - RETAIN FOR FUTURE REFERENCE
WICHTIG - SORGFÄLTIG LESEN UND AUFBEWAHREN

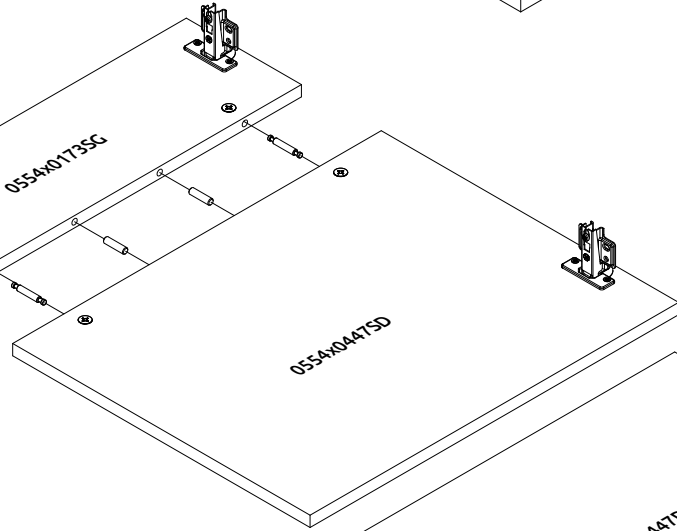
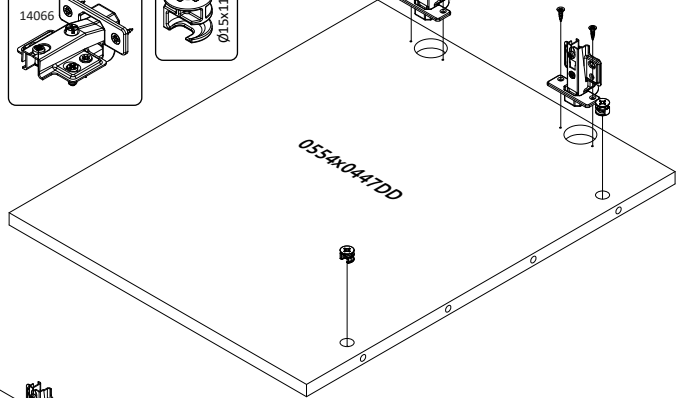
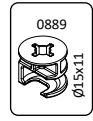
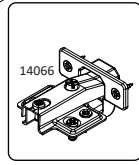
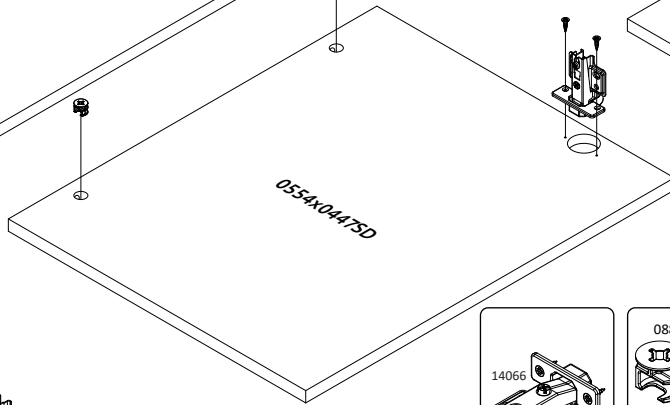
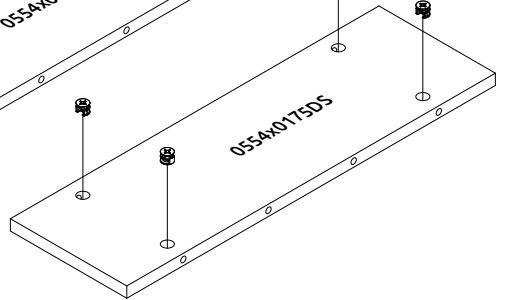
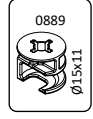
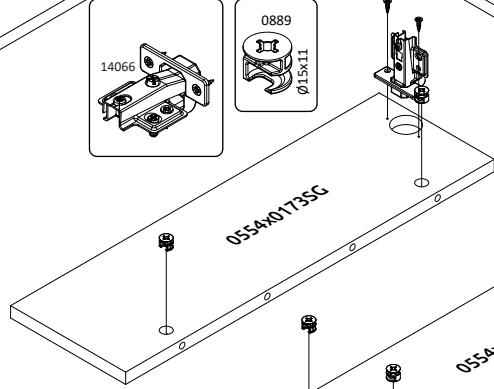
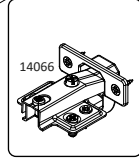
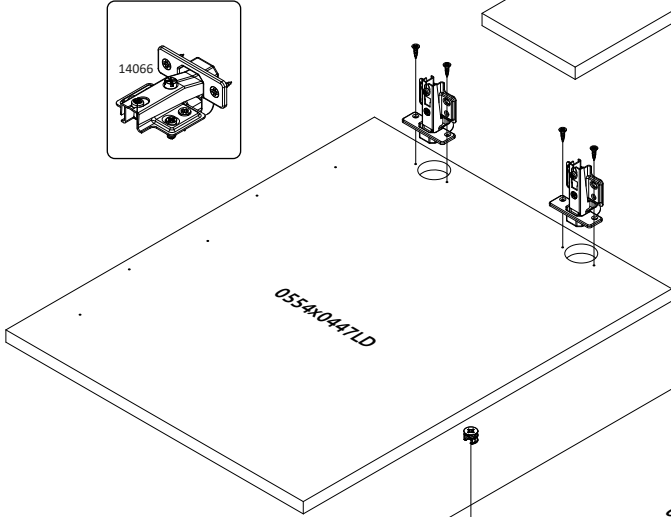
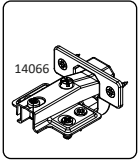
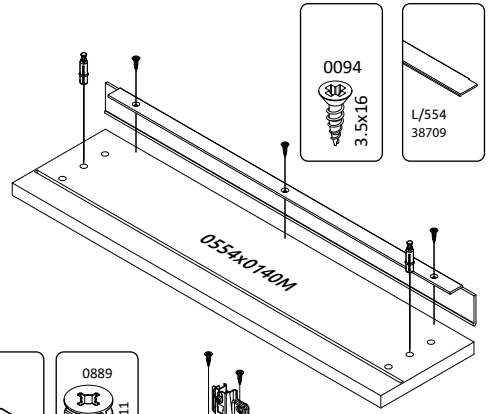
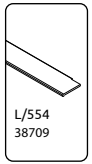
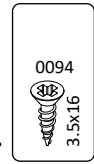
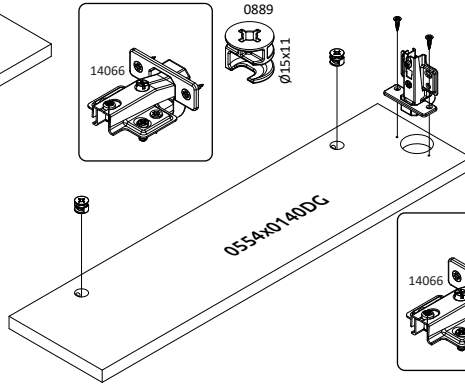
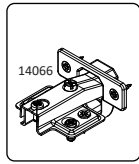
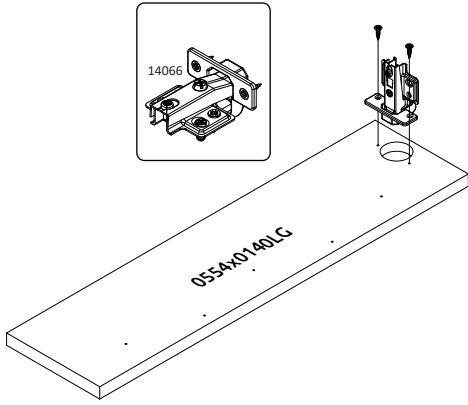
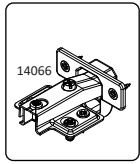


K170-3KS1F/AV
LWH - 1670x452x875

12.07.2022

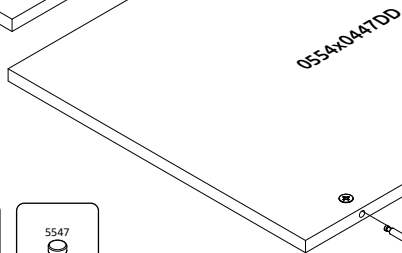
x16 0094 3.5x16	x12 16535	x12 EKSF4H-16	x20 0095 3.5x20	x18 0122	x18 0064 Ø8x2.2	x16 0063 Ø15x13	x20 0108	x3 6319	x2 EKSK	x2 EKSK-TEX	x4 EKSK4-NE	x20 EKSK4-BE	x10 16981
x8 14066	x1 14079	x2 L/224 40503	x1 L/1444 40506	x1 20994	x10 9012 4.2x16	x1 15741	x6 47674	x6 5547	x34 0096 4x18	x12 0889 Ø15x11	x2 0065 Ø15x10	x3 L/554 38709	
x1 0535x0275-S	x1 0554x0173SG	x1 0554x0175DS	x1 0554x0140DC	x1 0554x0140LG	x1 0554x0447SD	x1 0554x0447LD	x1 0554x0447DD	x4 0102	x4 0121 1.4x2.5				



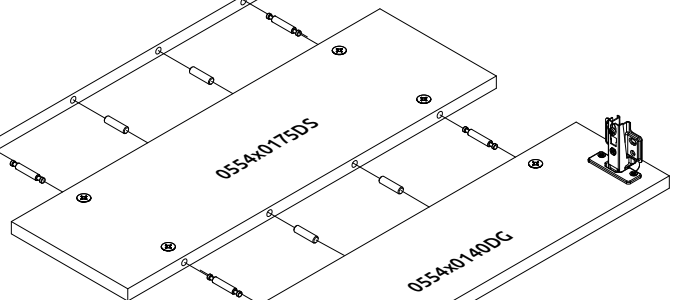


055A0173SG

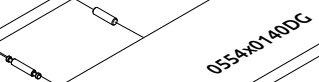
055A0447SD



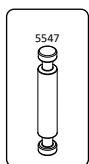
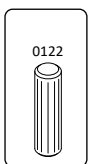
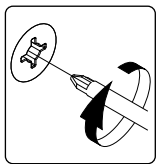
055A0447DD

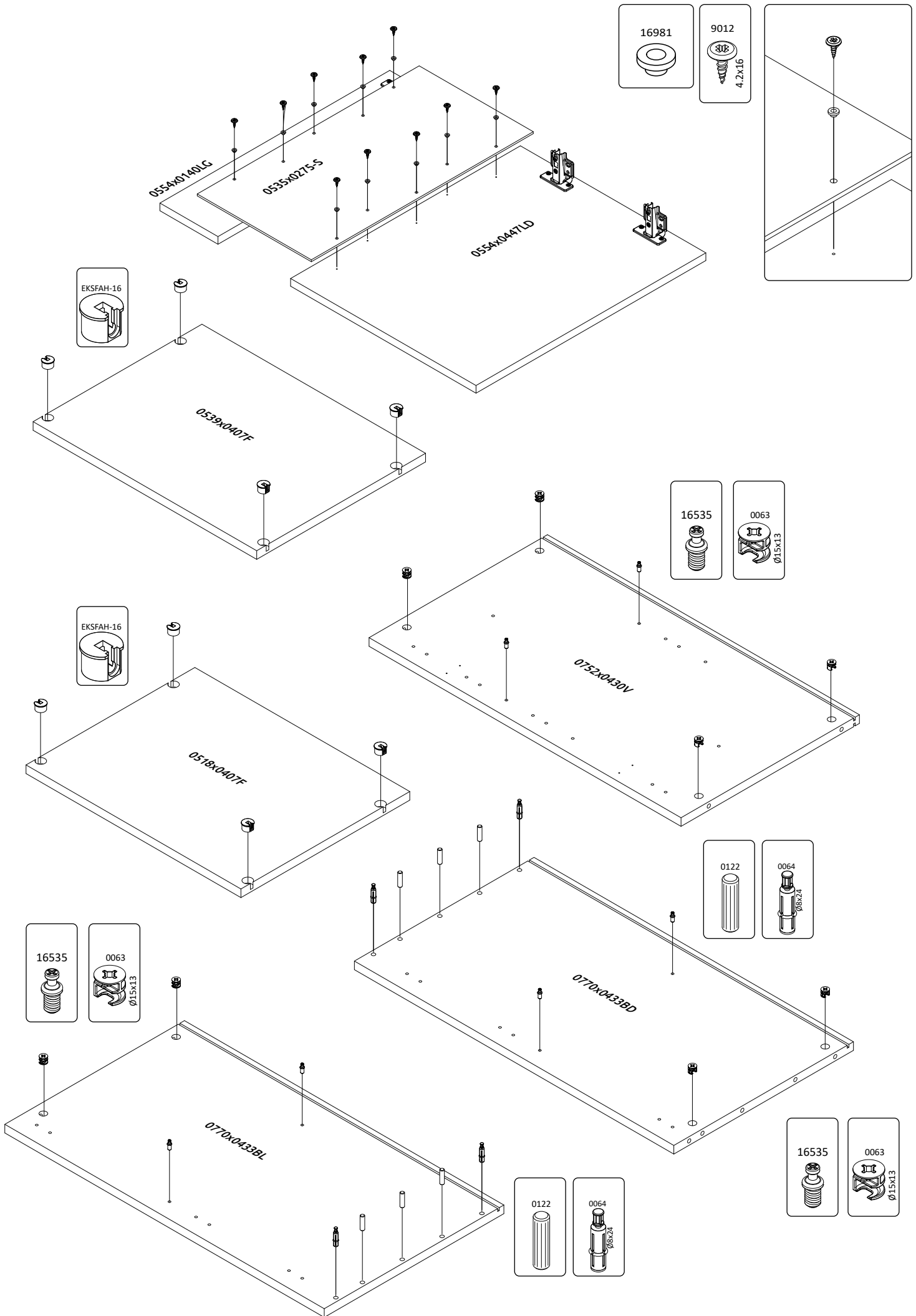


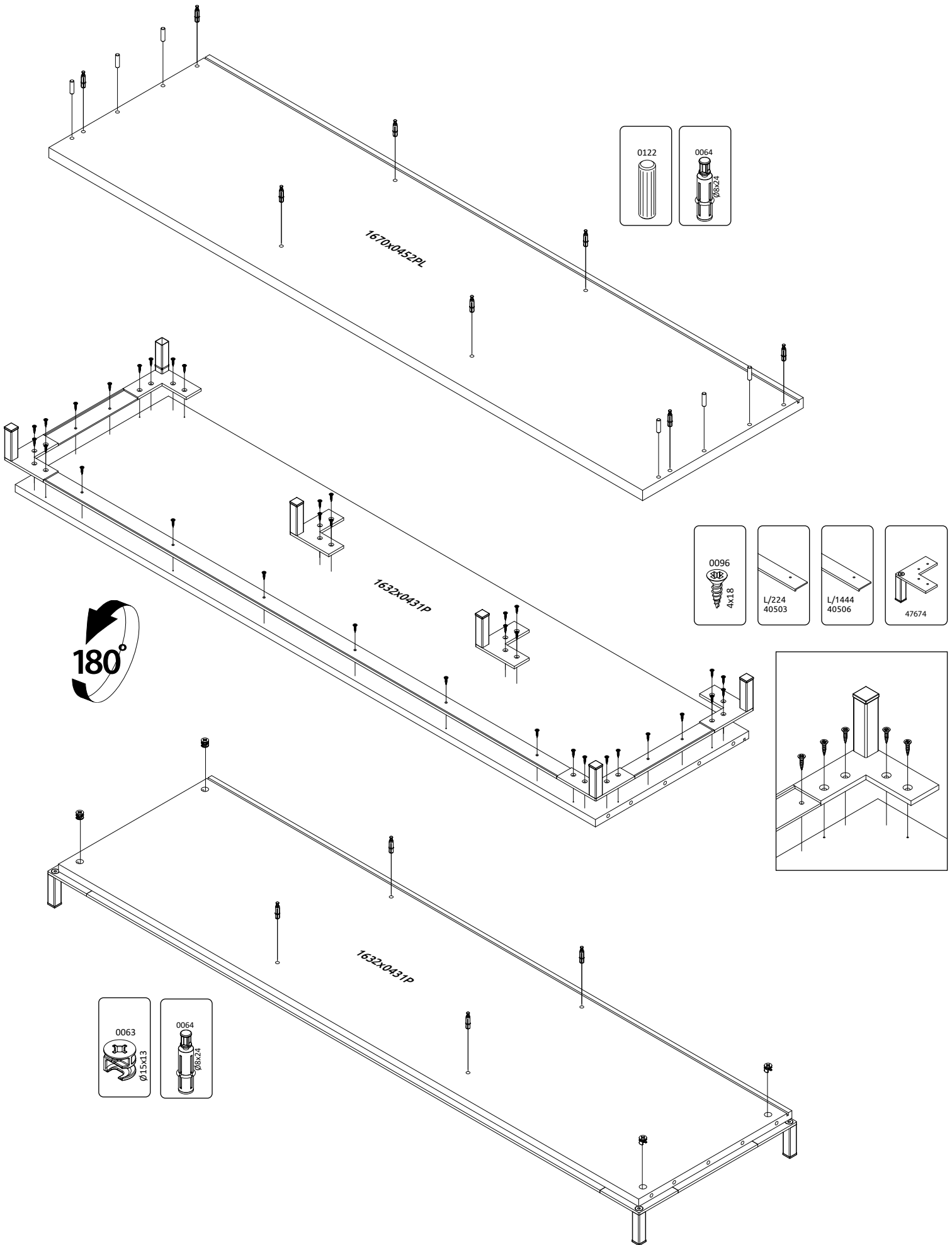
055A0173DS



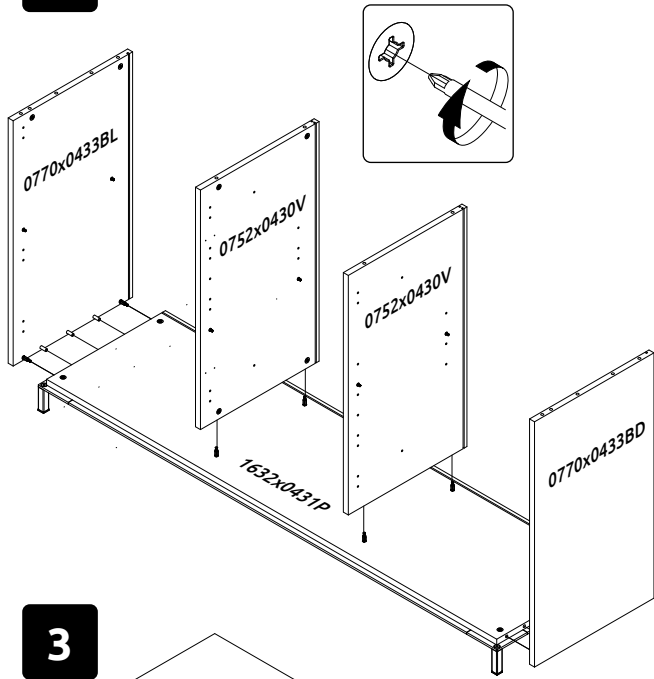
055A0140DC



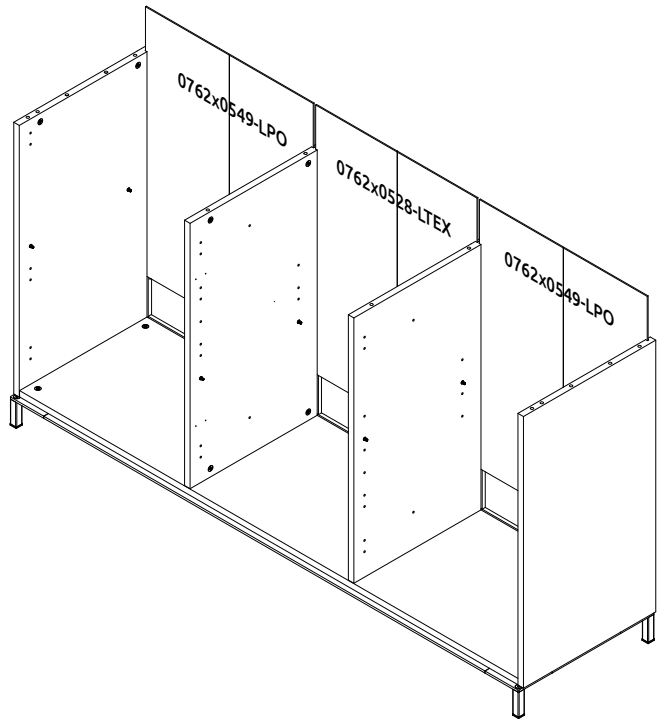




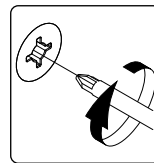
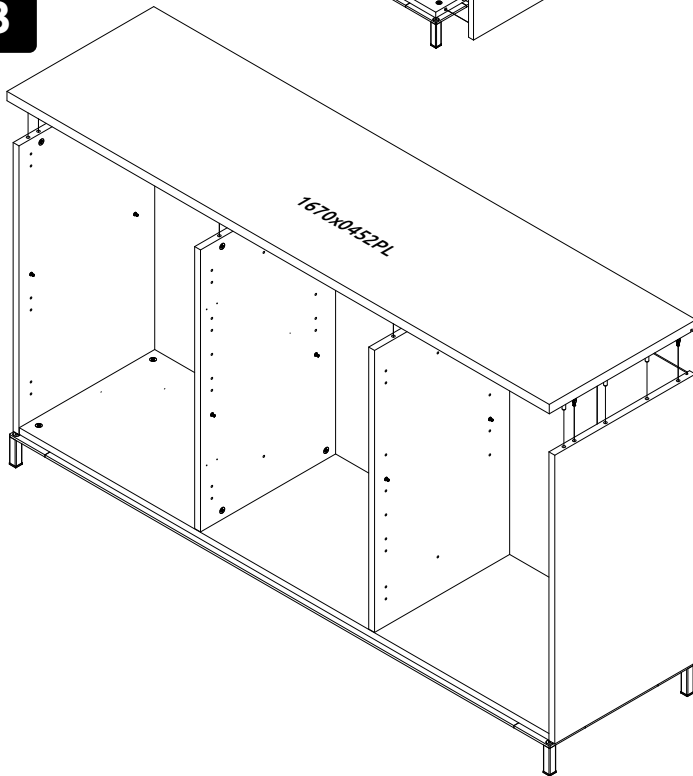
1



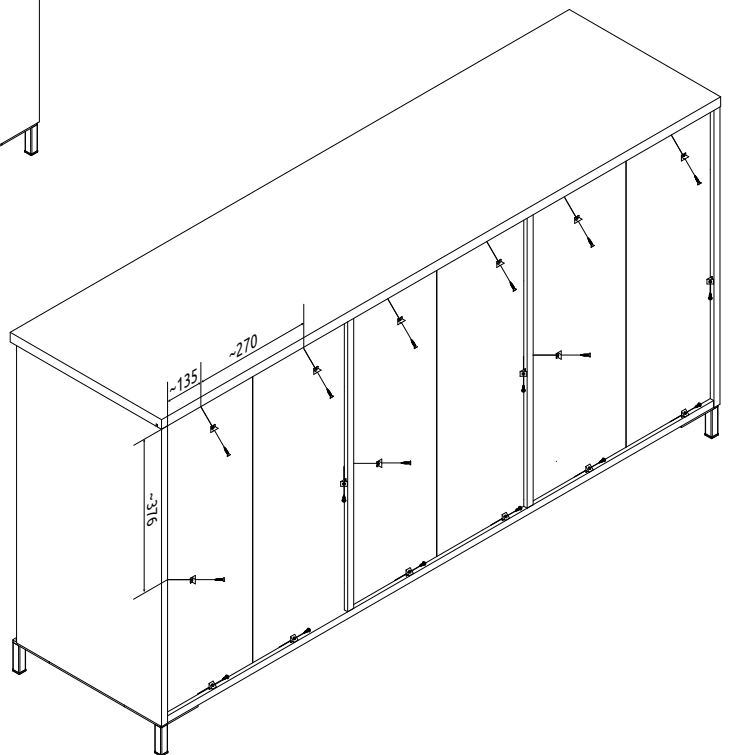
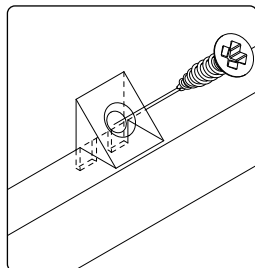
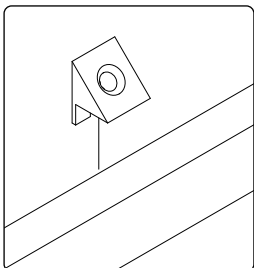
2

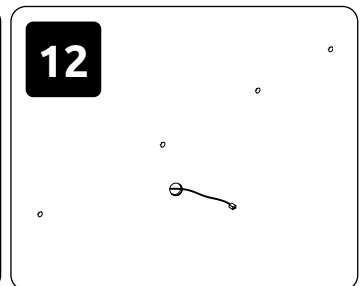
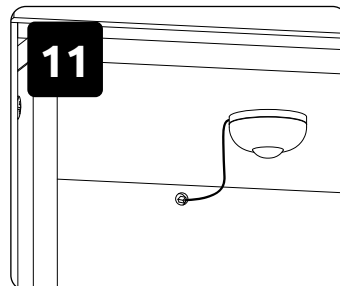
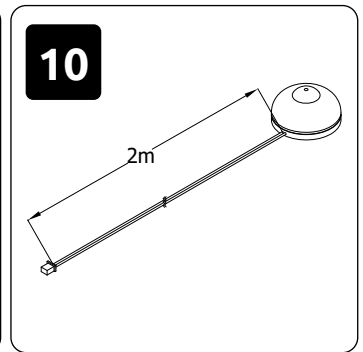
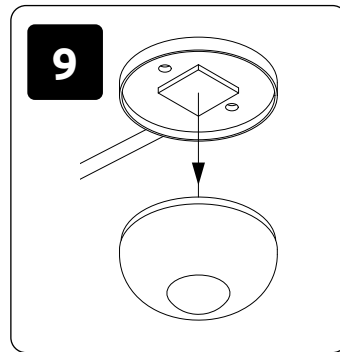
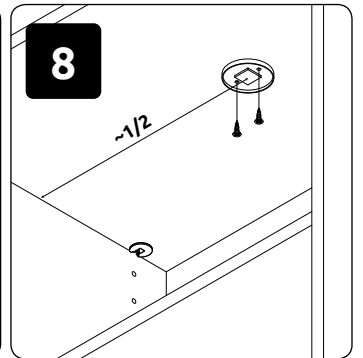
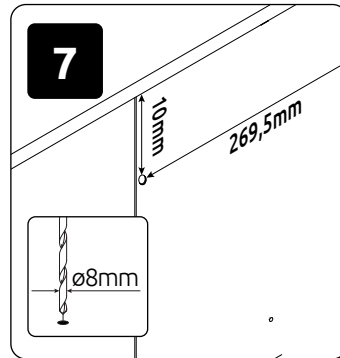
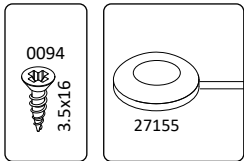
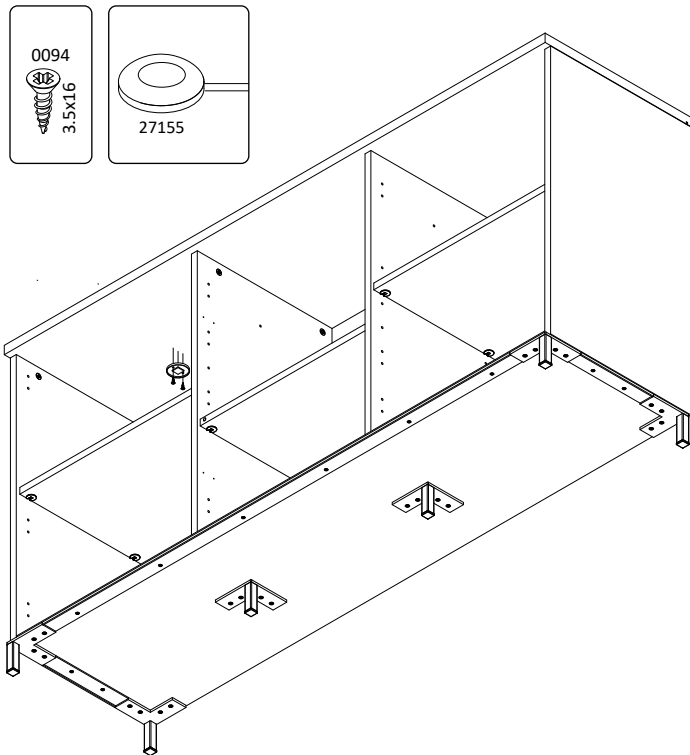
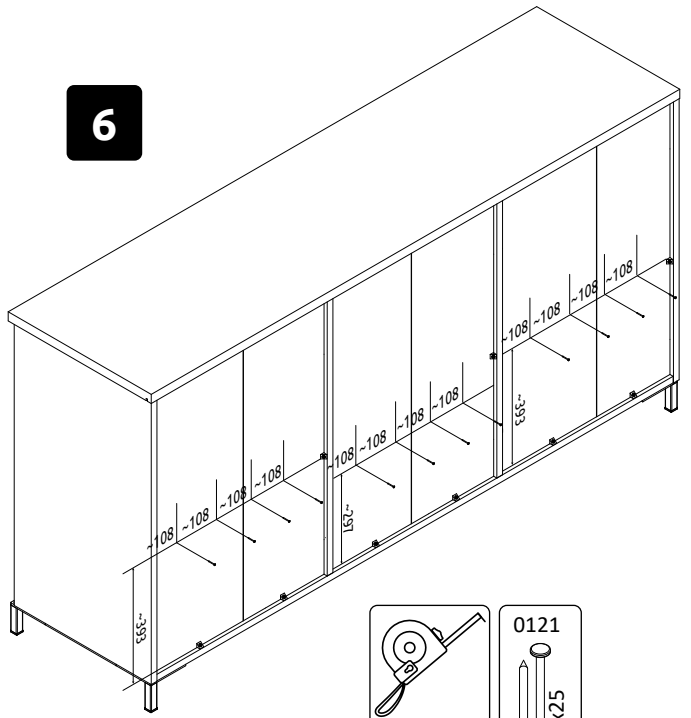
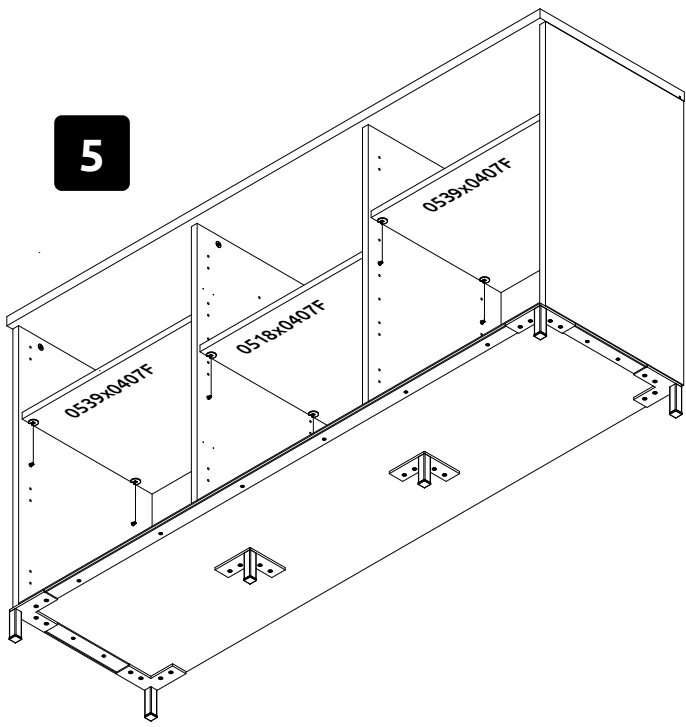


3

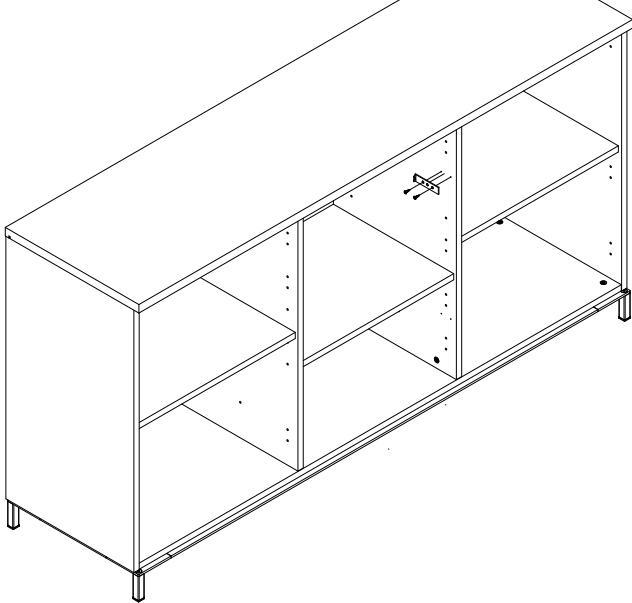
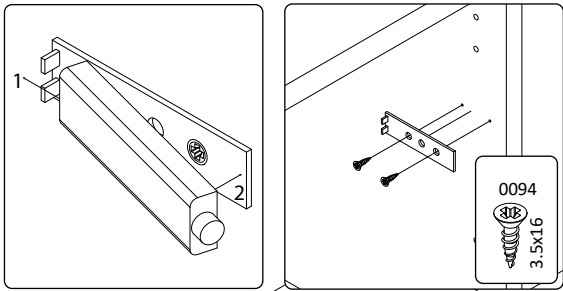


4

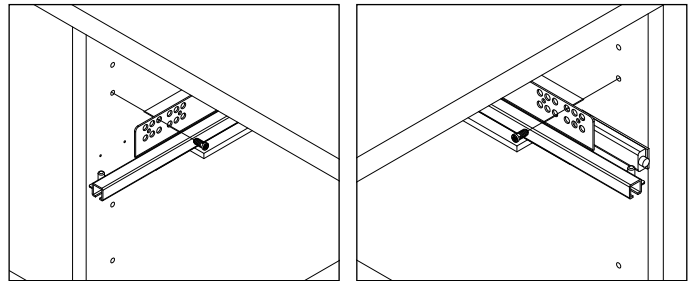
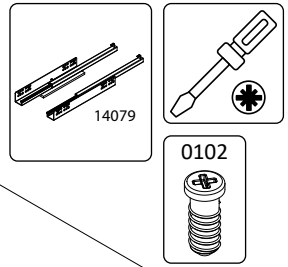




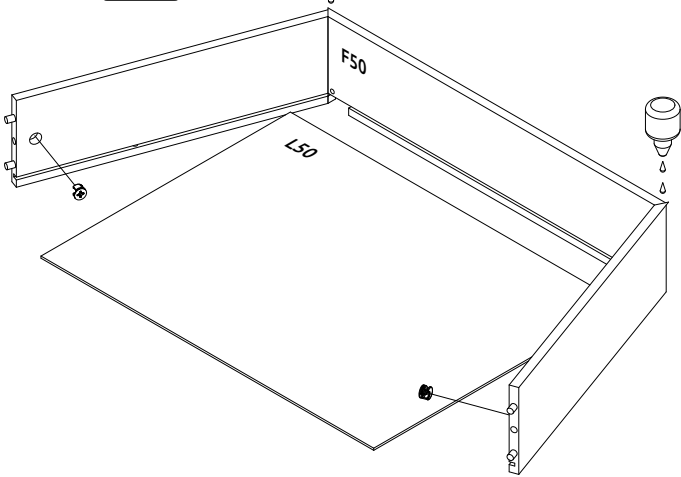
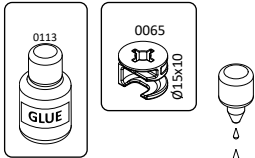
13



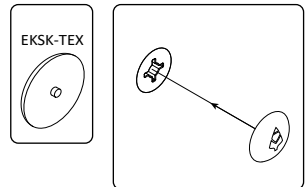
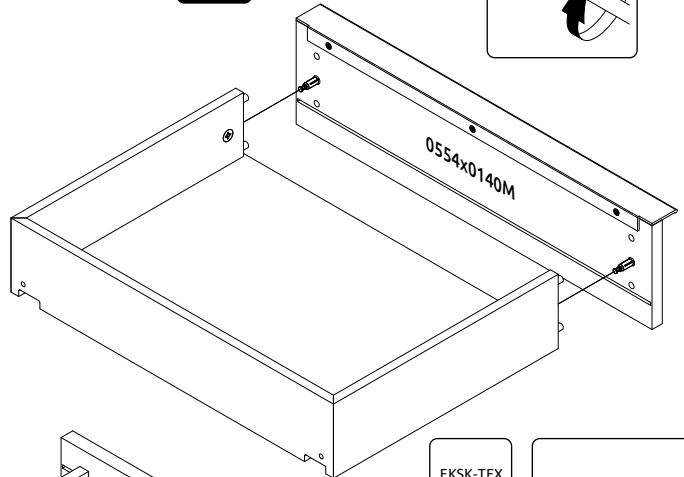
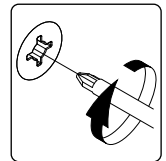
14



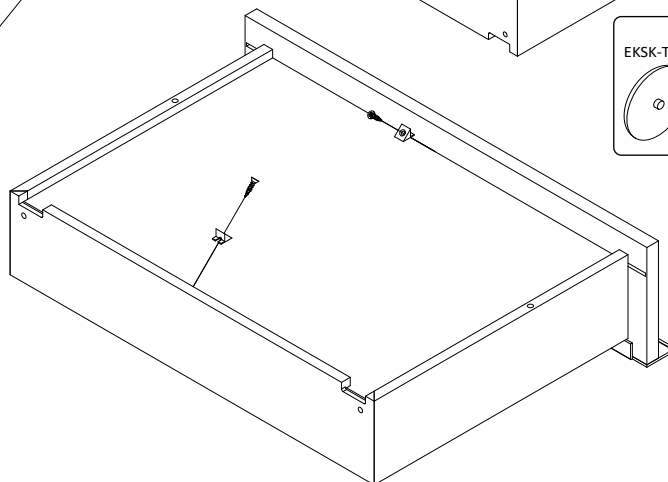
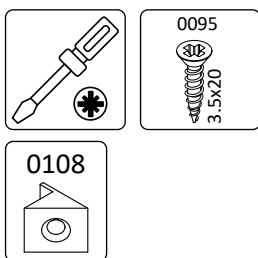
15



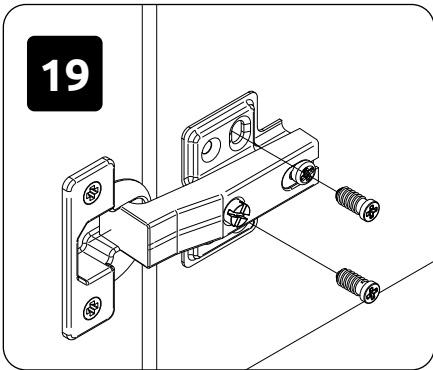
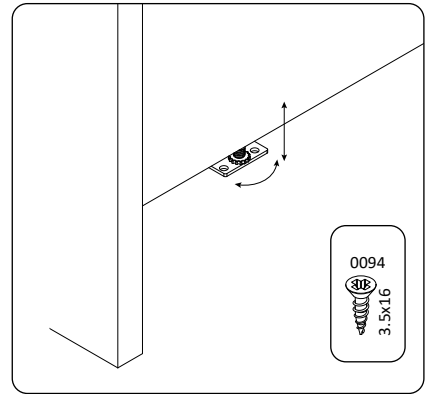
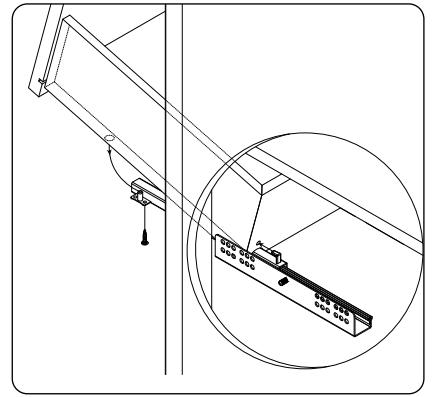
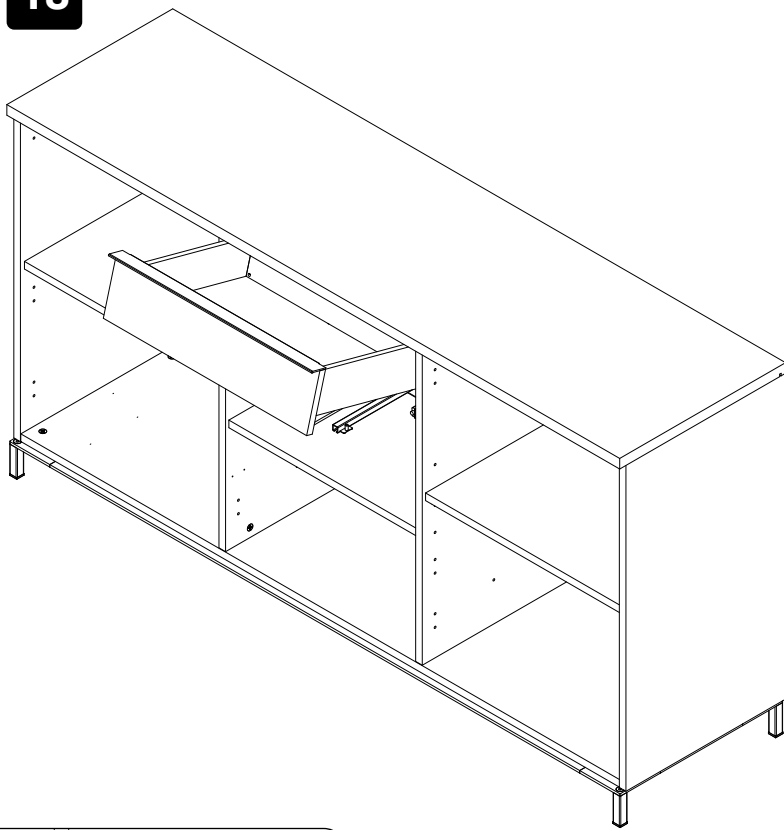
16



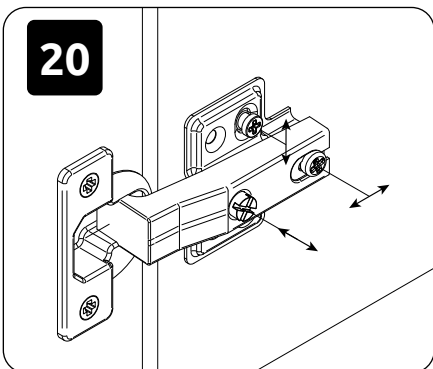
17



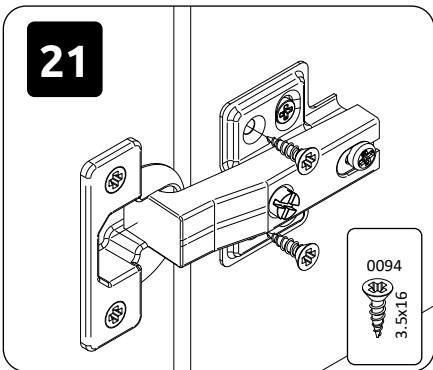
18



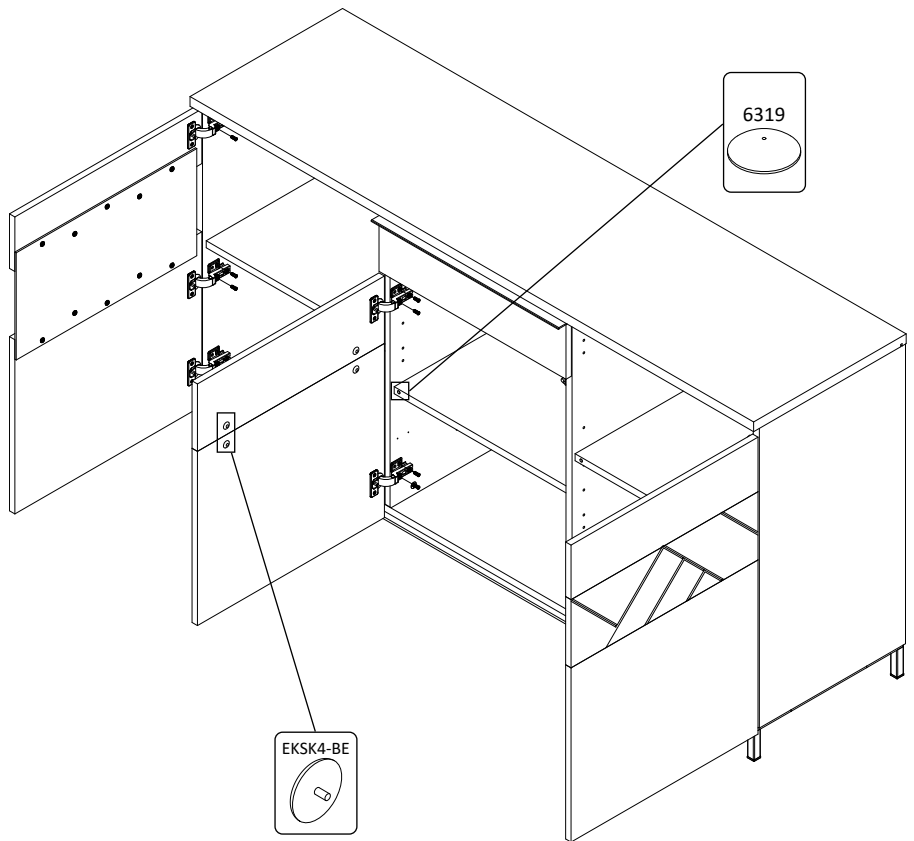
19

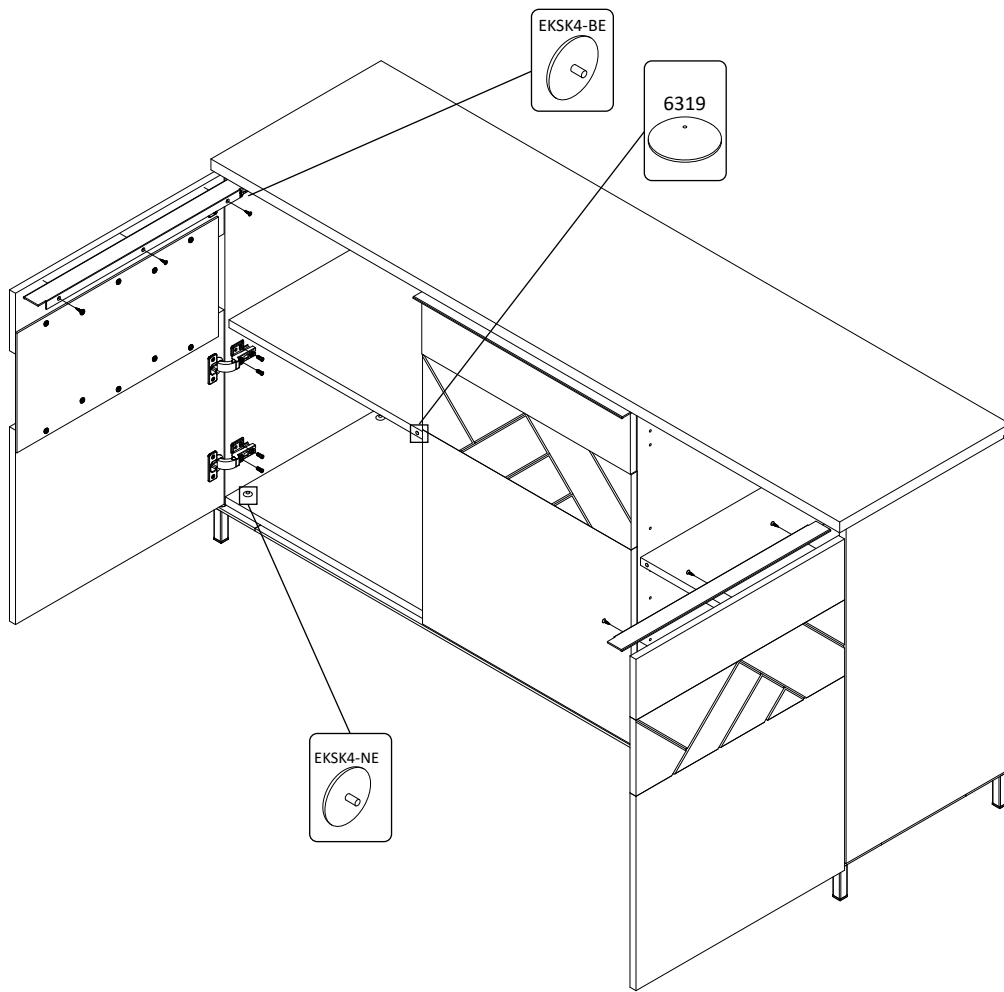


20



21





22

