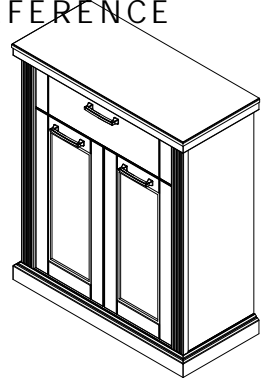
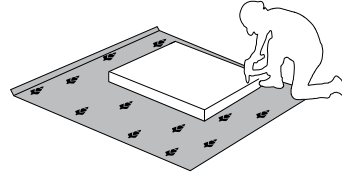
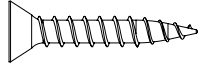
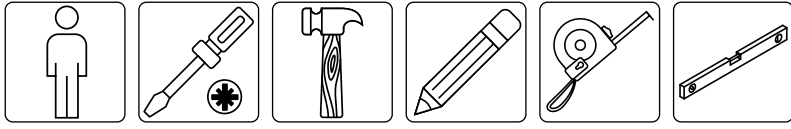


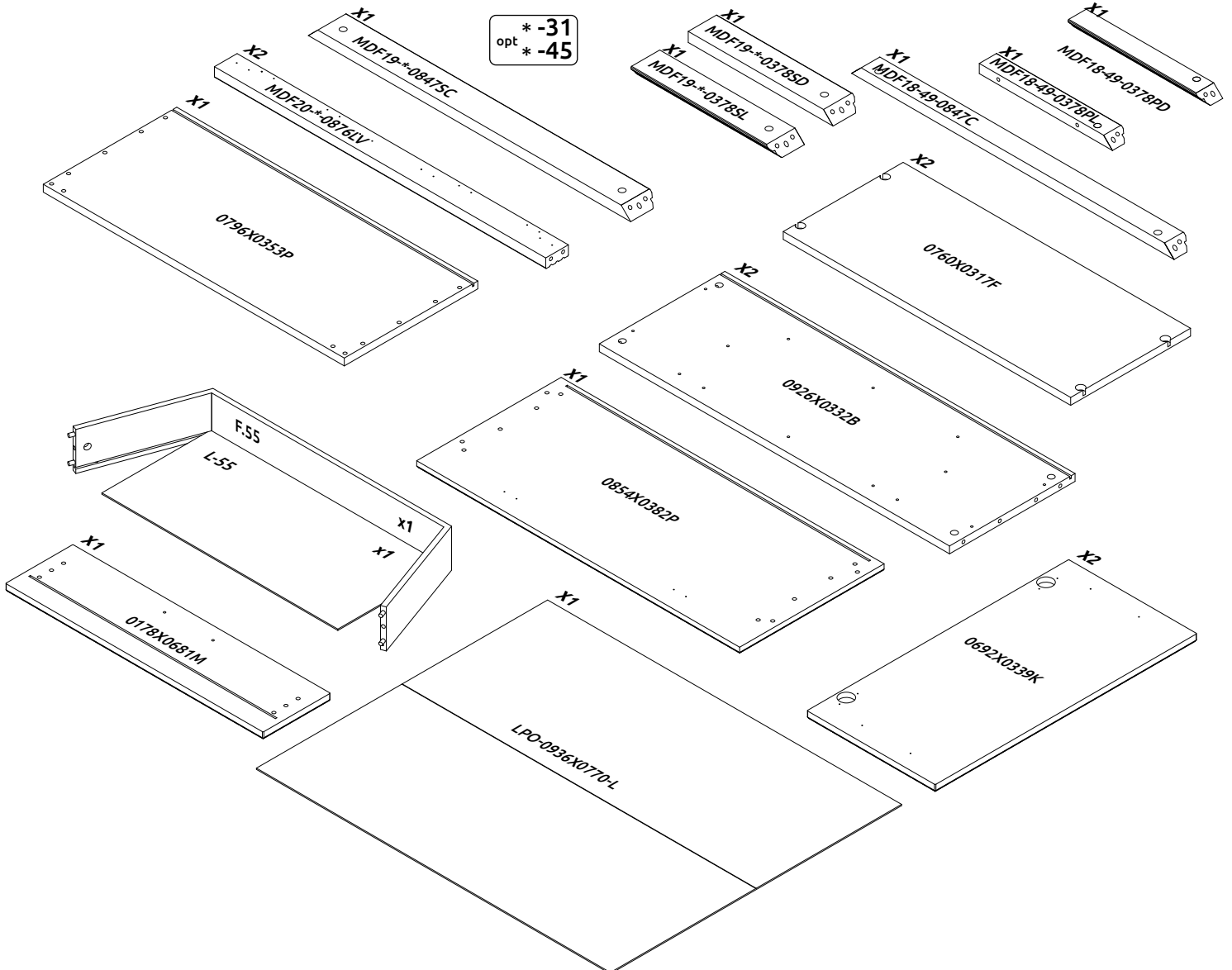


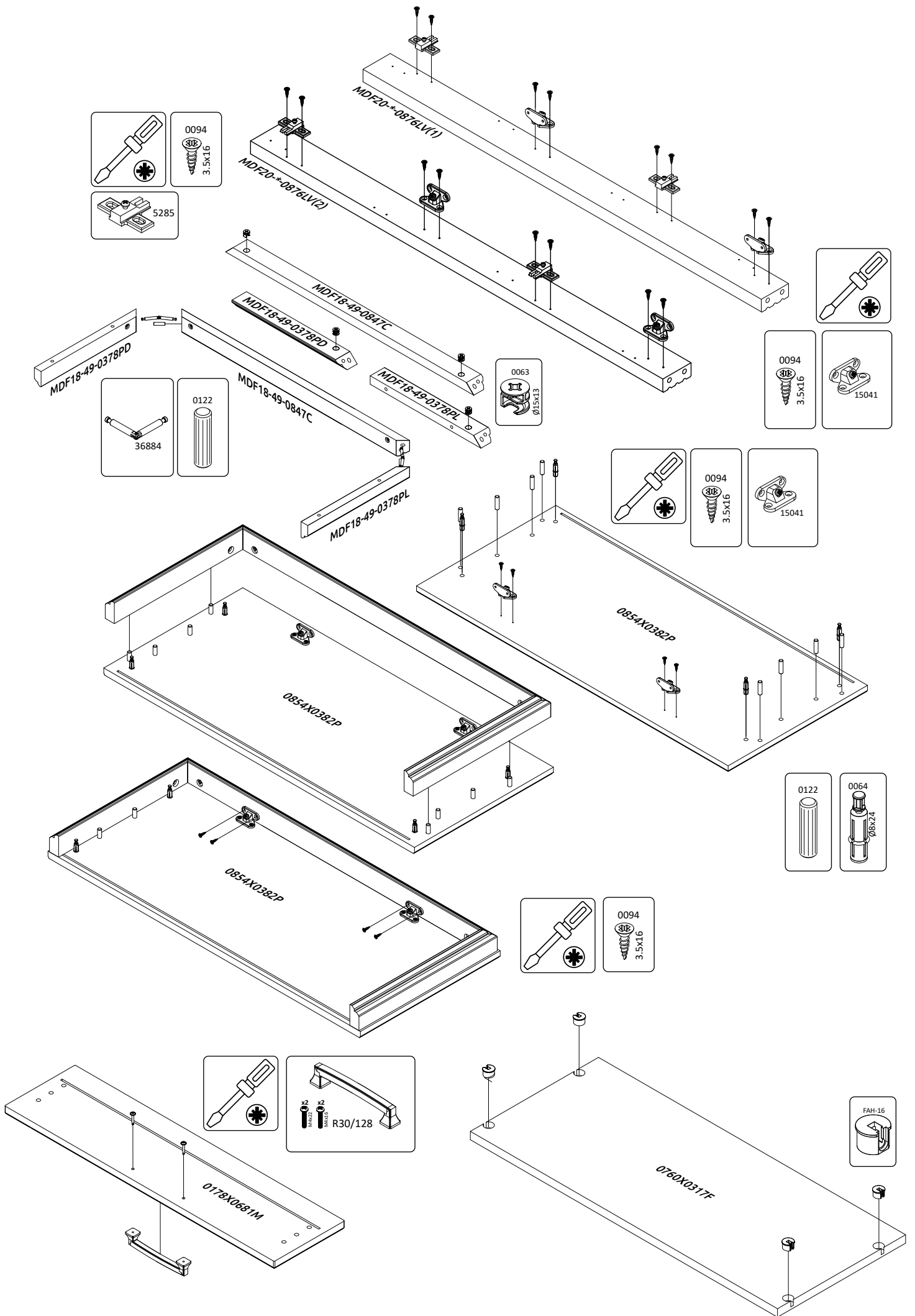
IMPORTANT - READ CAREFULLY - RETAIN FOR FUTURE REFERENCE  
 WICHTIG - SORGFÄLTIG LESEN UND AUFBEWAHREN

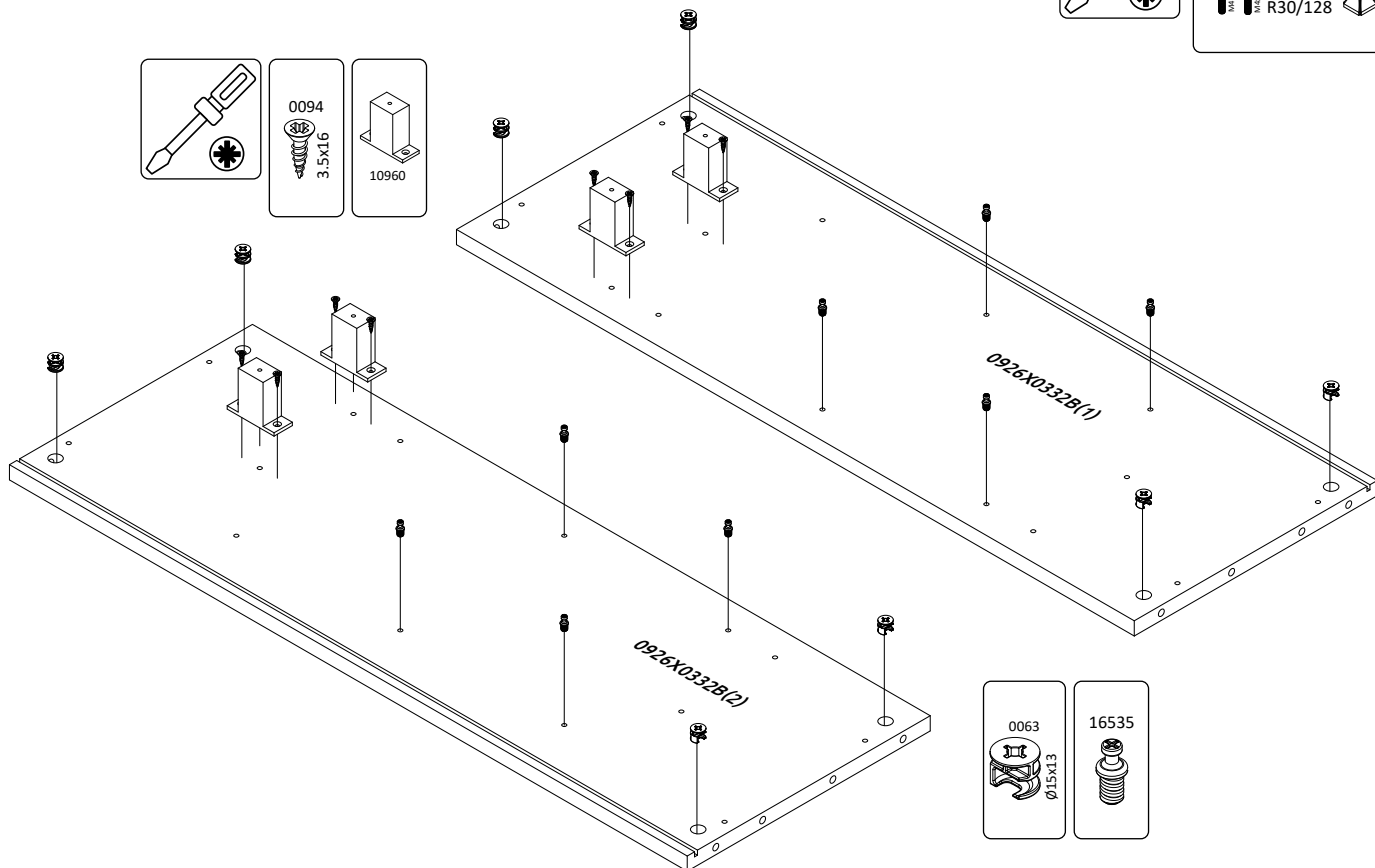
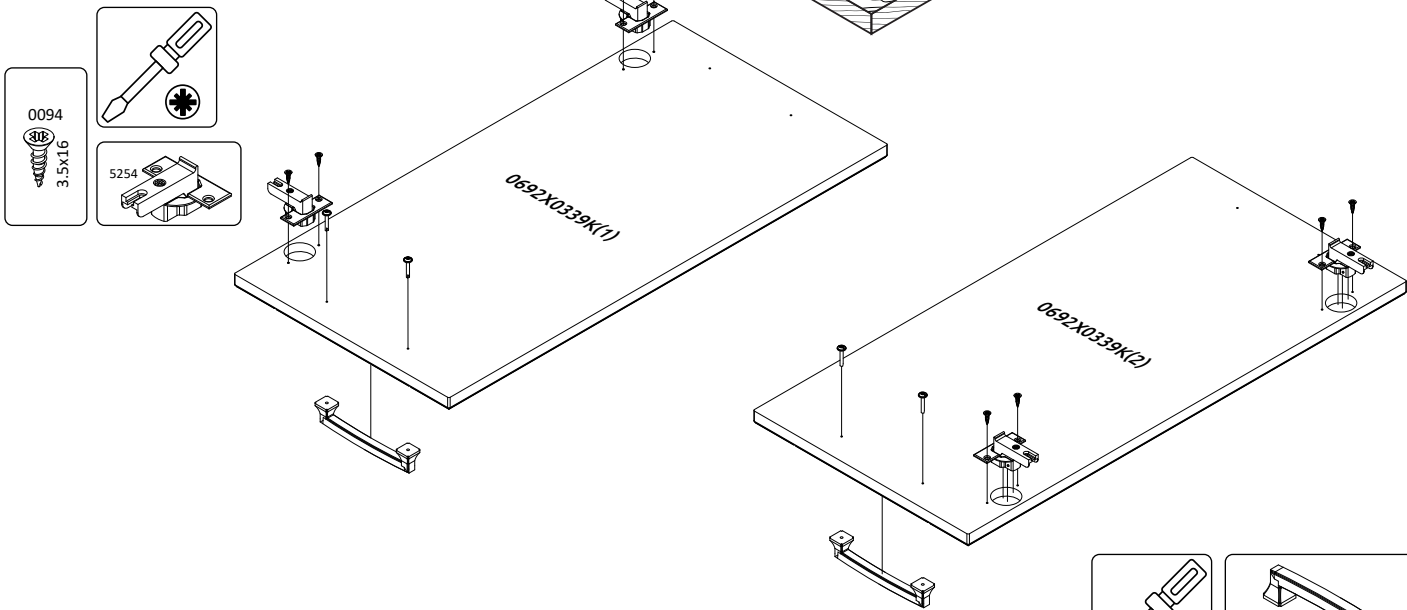
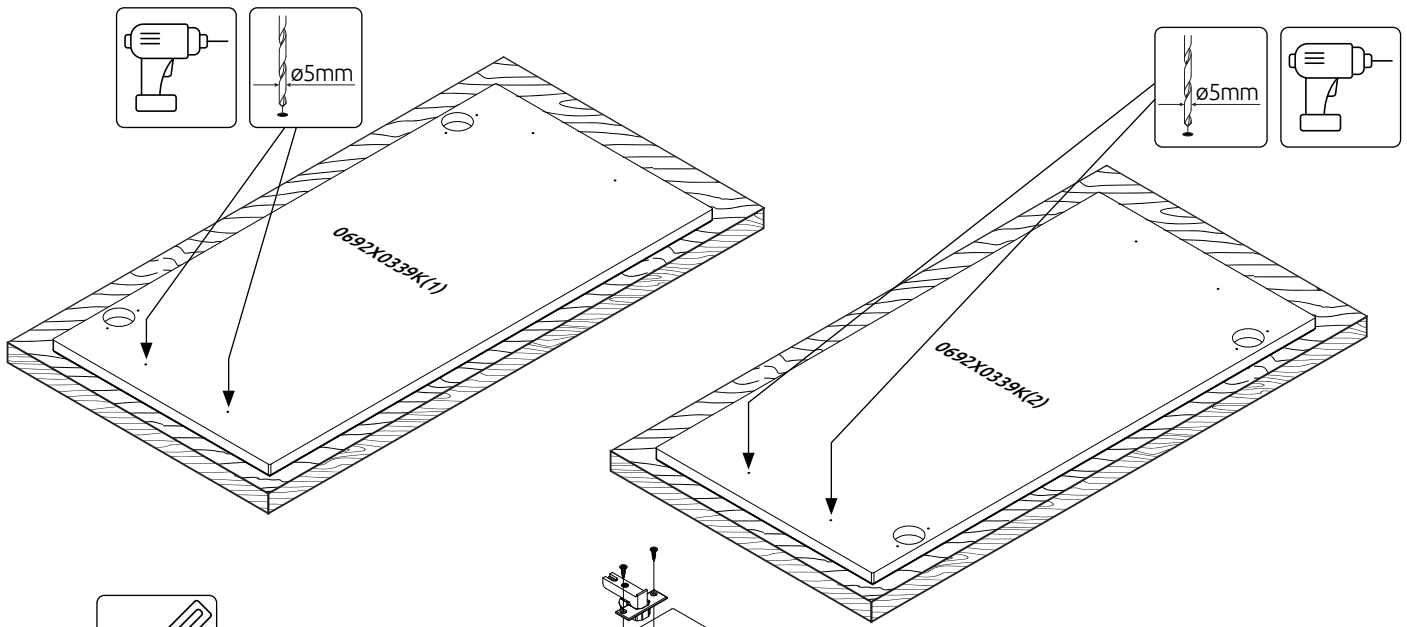


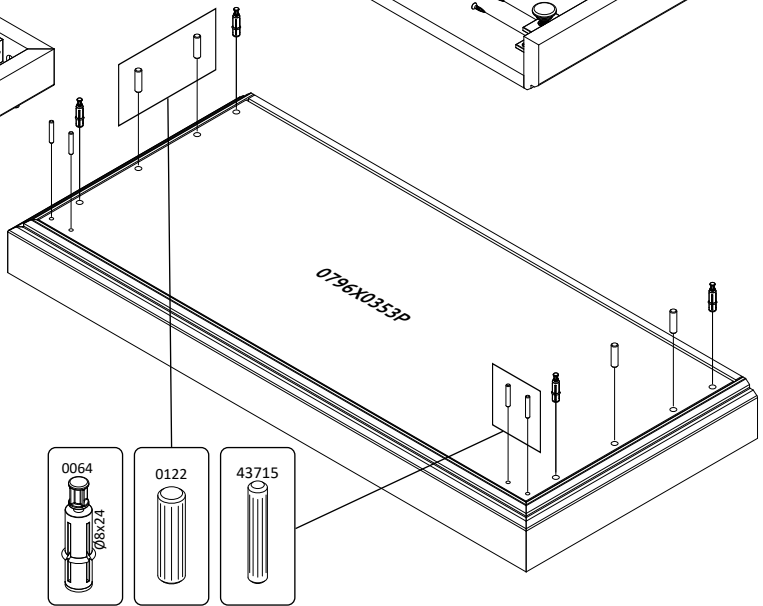
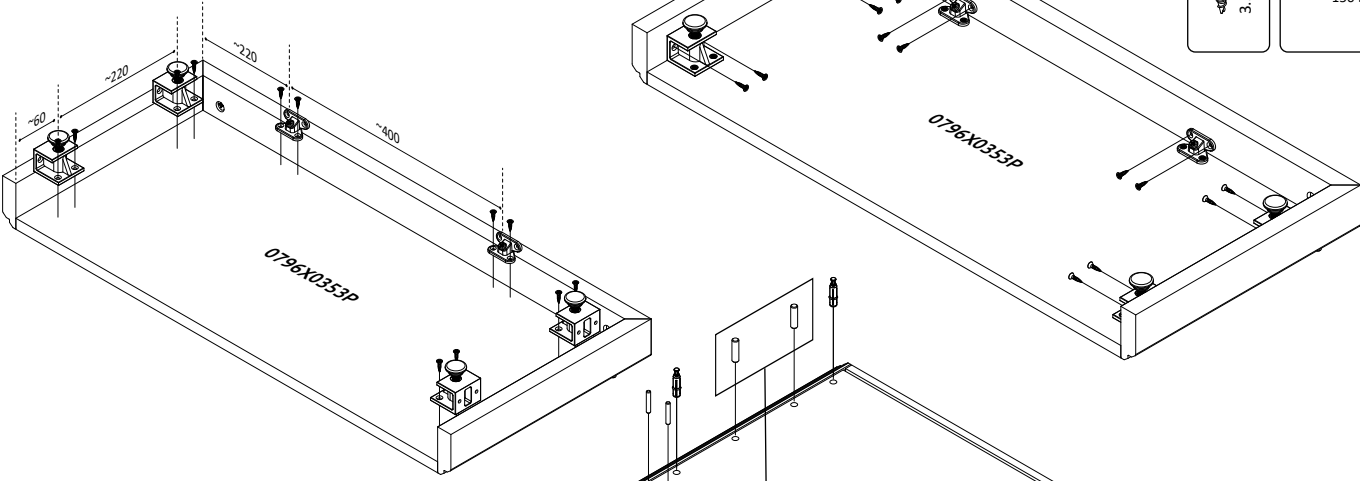
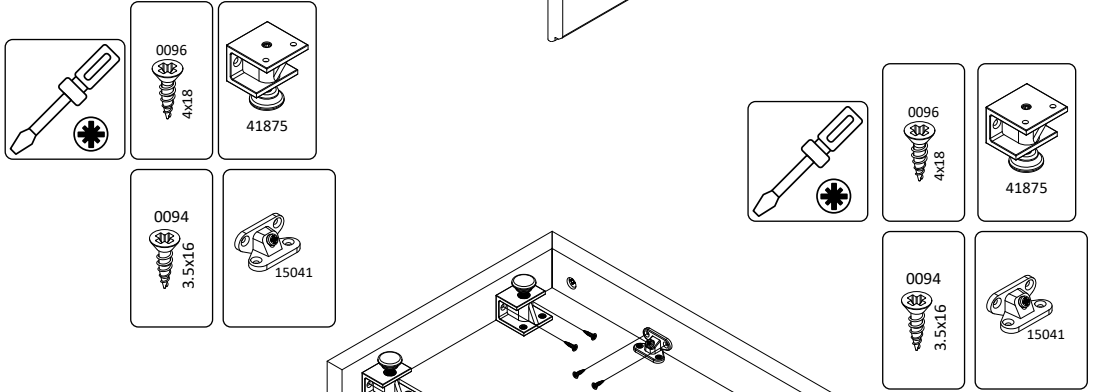
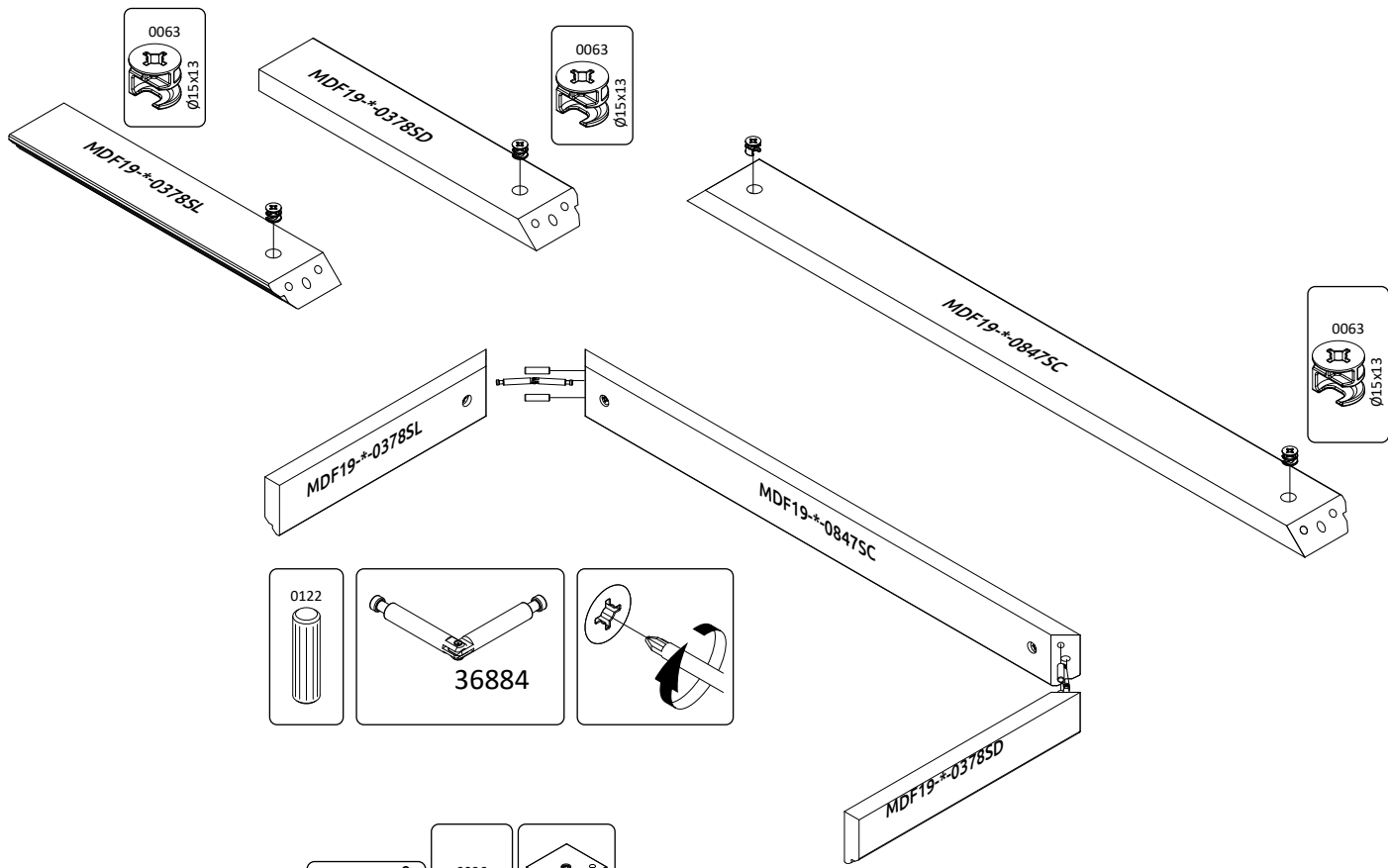
**TARA-CPL**  
 LHW - 854x1017x382

|                           |                              |                              |                           |                            |                      |                             |                              |                             |                    |                     |                       |                   |                    |                             |                        |
|---------------------------|------------------------------|------------------------------|---------------------------|----------------------------|----------------------|-----------------------------|------------------------------|-----------------------------|--------------------|---------------------|-----------------------|-------------------|--------------------|-----------------------------|------------------------|
| <b>x4</b><br>10960        | <b>x60</b><br>0094<br>3.5x16 | <b>x10</b><br>0095<br>3.5x20 | <b>x4</b><br>2114<br>4x35 | <b>x16</b><br>0096<br>4x18 | <b>x4</b><br>43715   | <b>x10</b><br>0064<br>Ø8x24 | <b>x16</b><br>0063<br>Ø15x13 | <b>x18</b><br>0122          | <b>x8</b><br>16535 | <b>x8</b><br>FAH-16 | <b>x8</b><br>EKSK4-NE | <b>x2</b><br>6319 | <b>x10</b><br>0108 | <b>x2</b><br>0121<br>1.4x25 | <b>x2</b><br>EKSK4-TEX |
| <b>x1</b><br>0113<br>GLUE | <b>x8</b><br>15041           | <b>x1</b><br>10397           | <b>x4</b><br>5254<br>5285 | <b>x2</b><br>5465          | <b>x3</b><br>R30/128 | <b>x4</b><br>41875          | <b>x4</b><br>0102            | <b>x2</b><br>0065<br>Ø15x10 | <b>x4</b><br>36884 | <b>x1</b><br>14078  |                       |                   |                    |                             |                        |

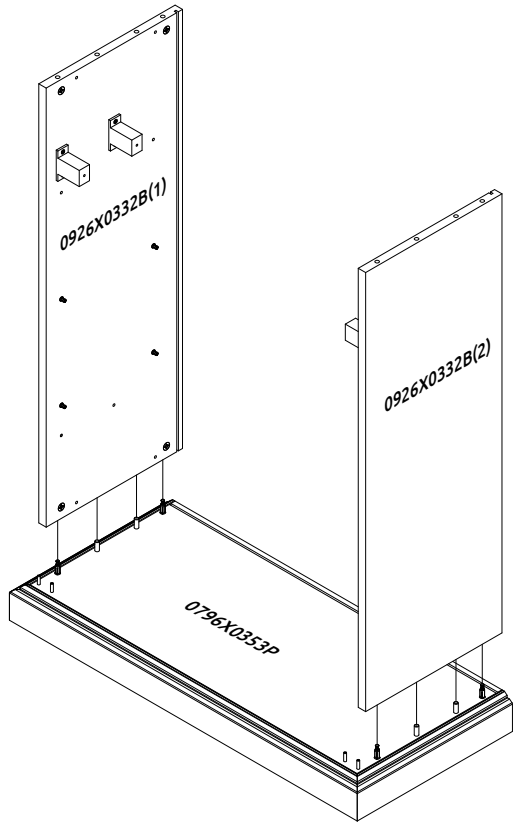




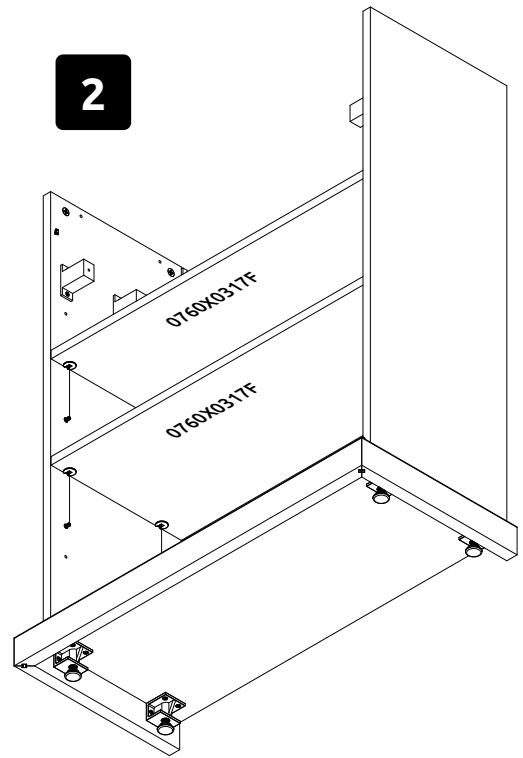




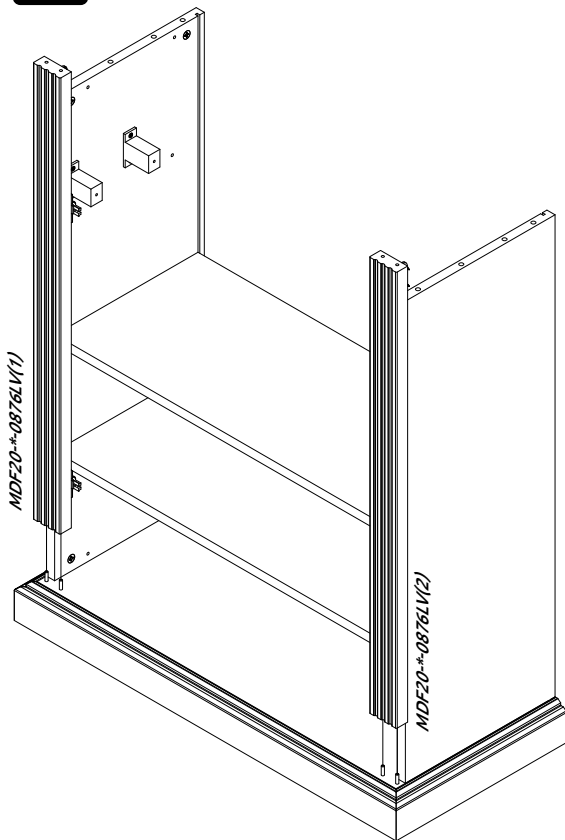
1



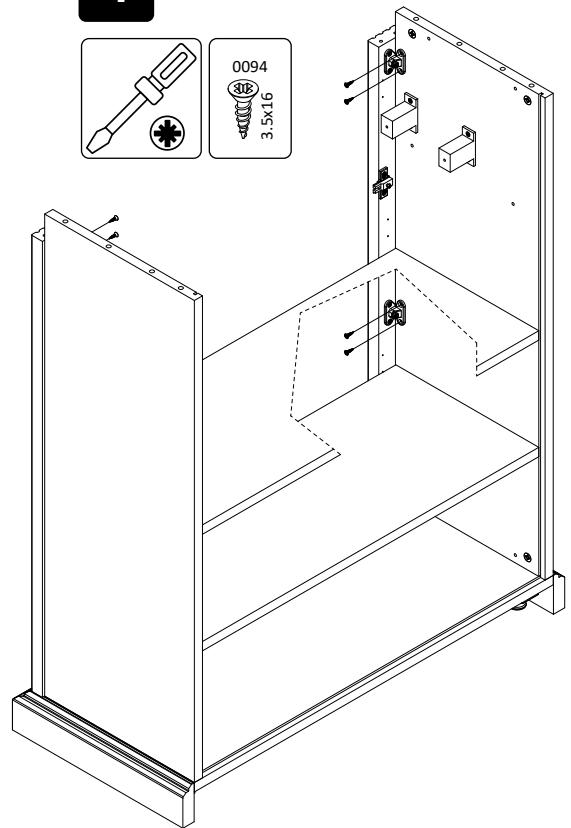
2

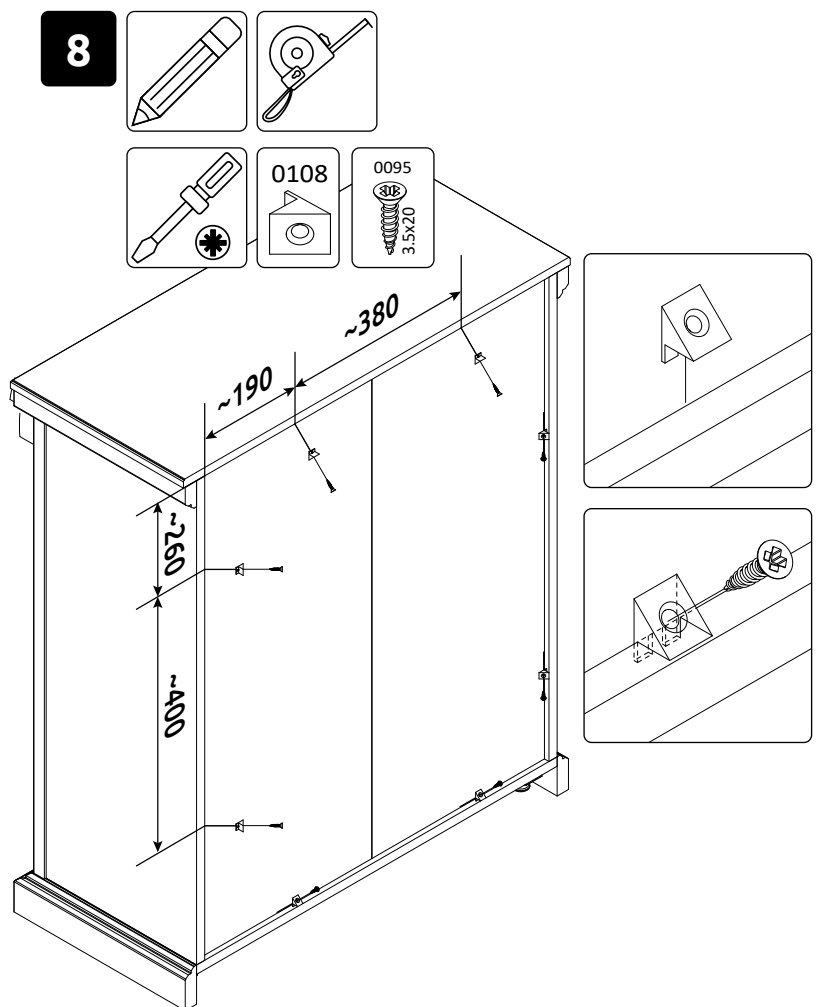
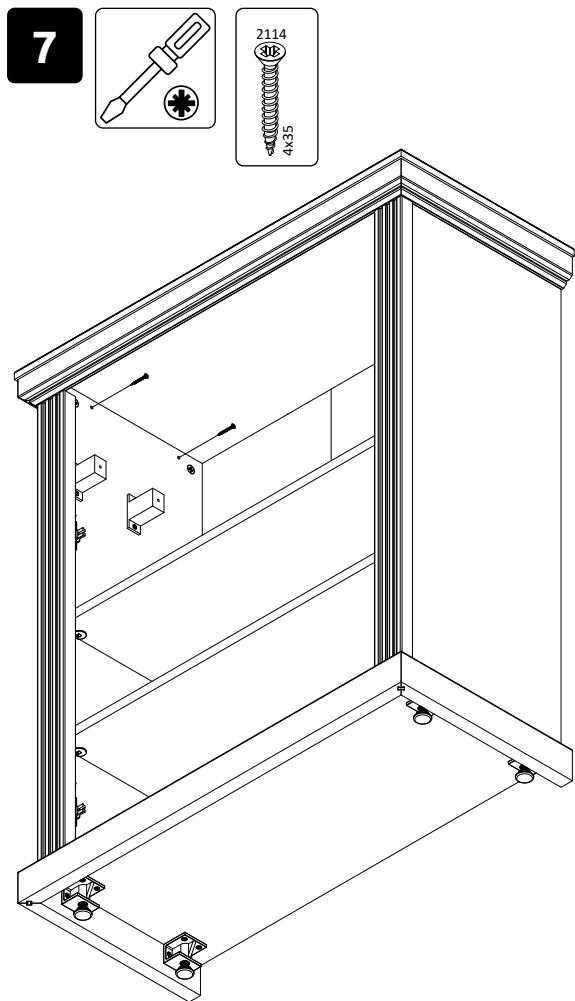
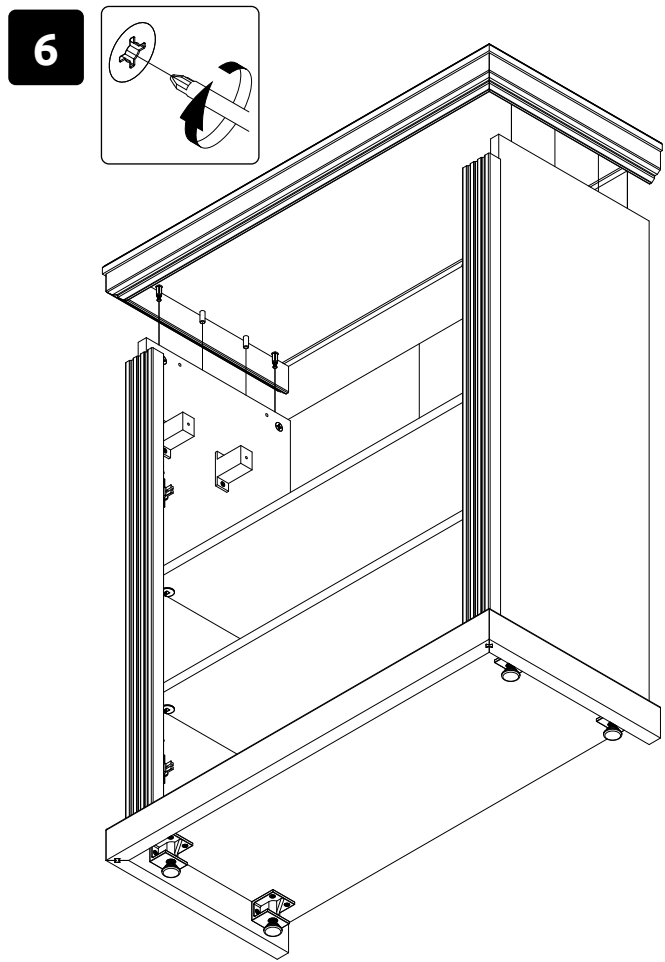
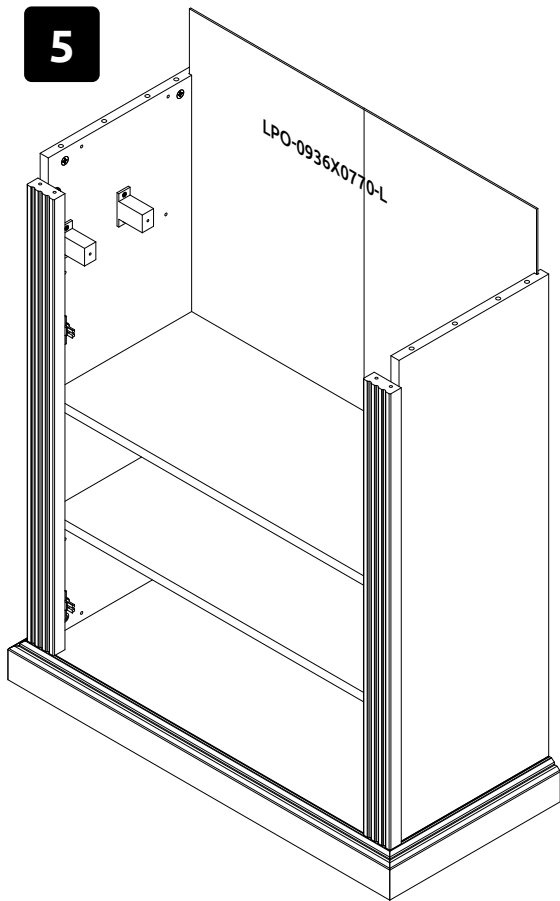


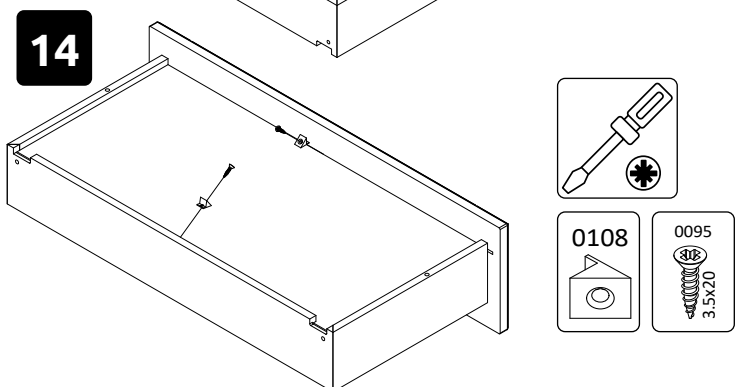
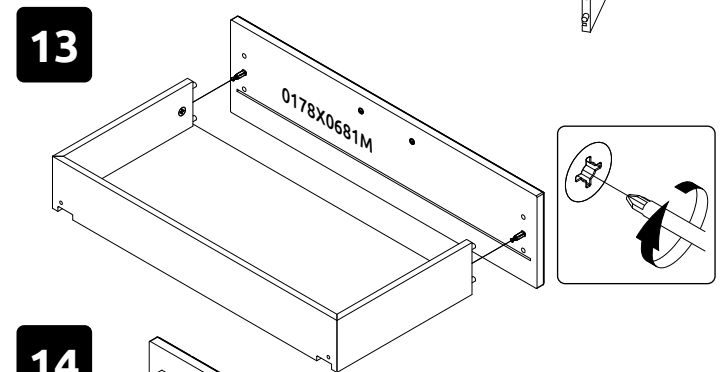
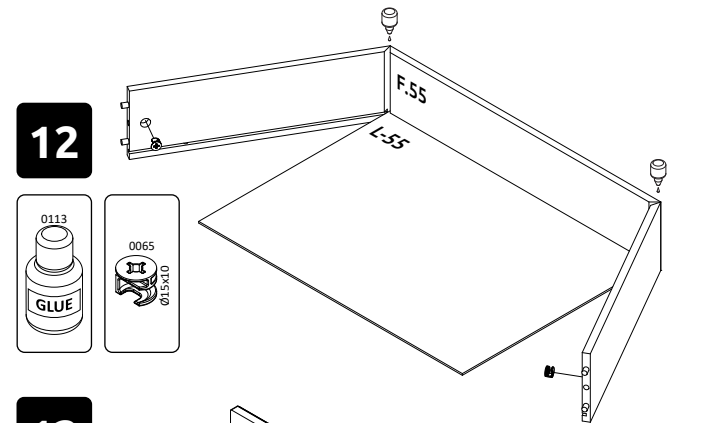
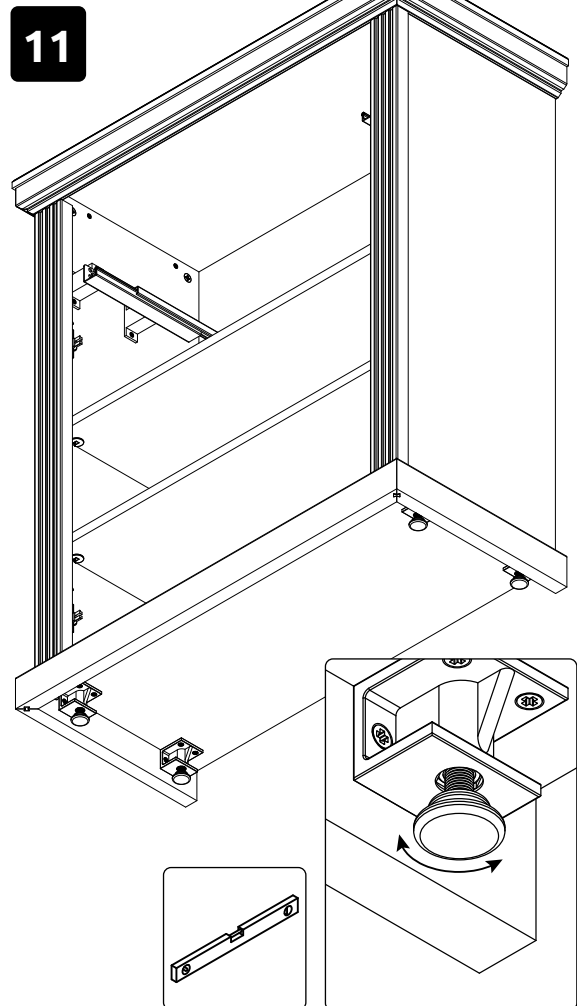
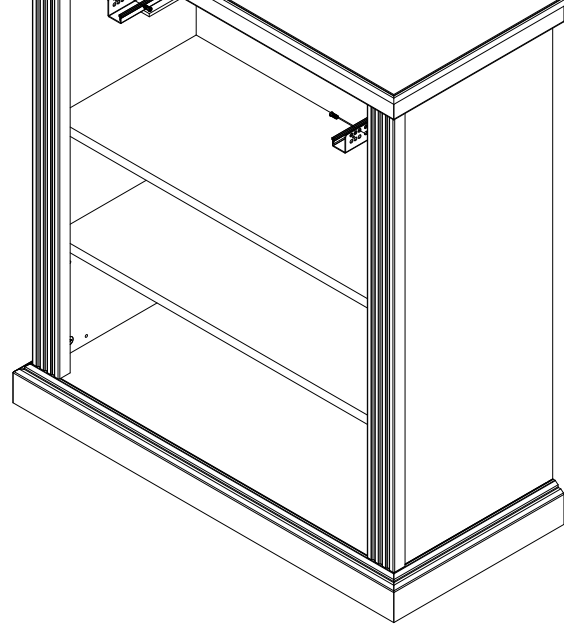
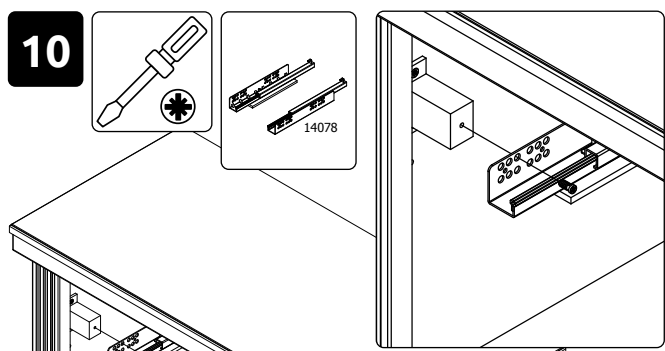
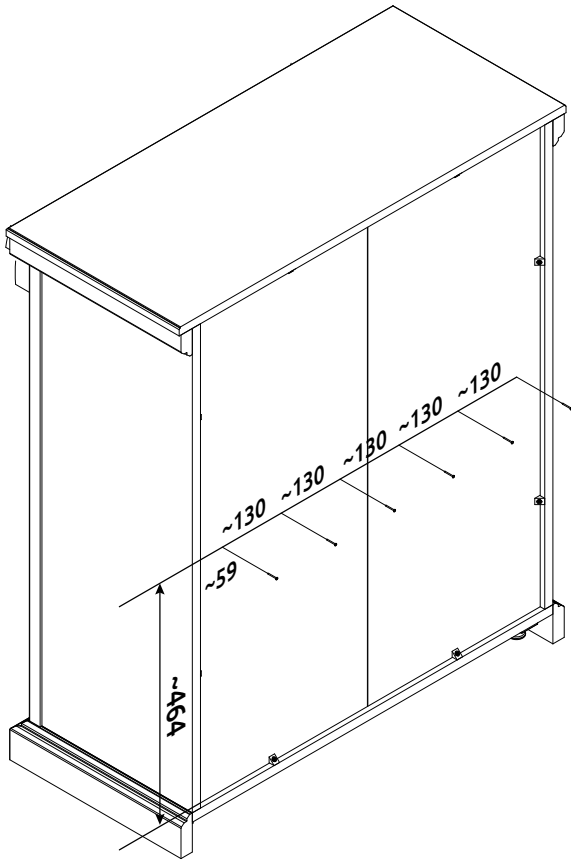
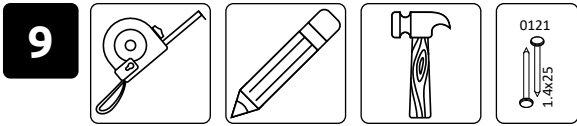
3



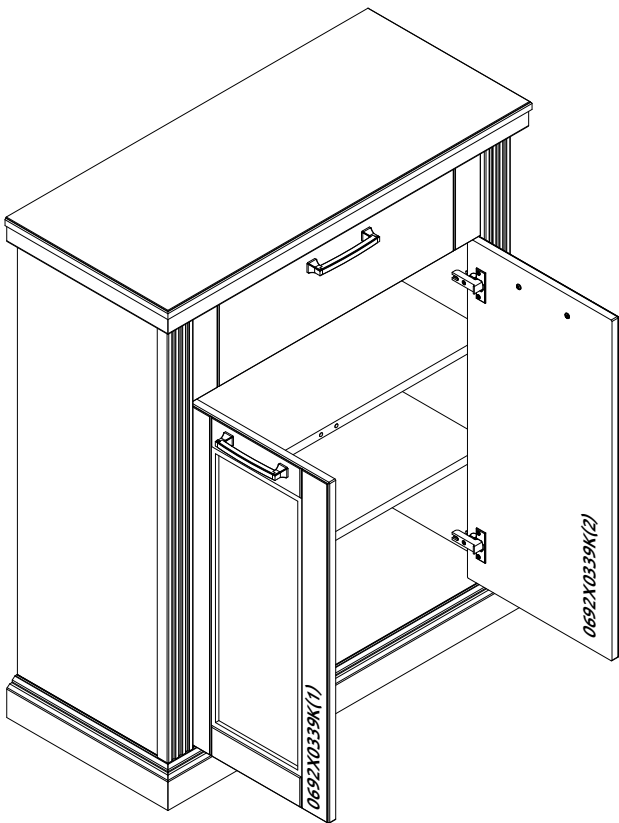
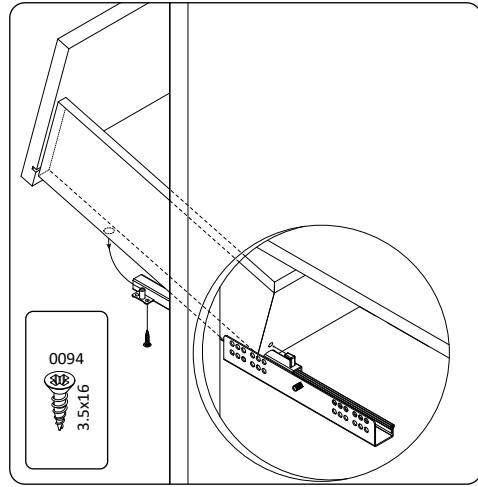
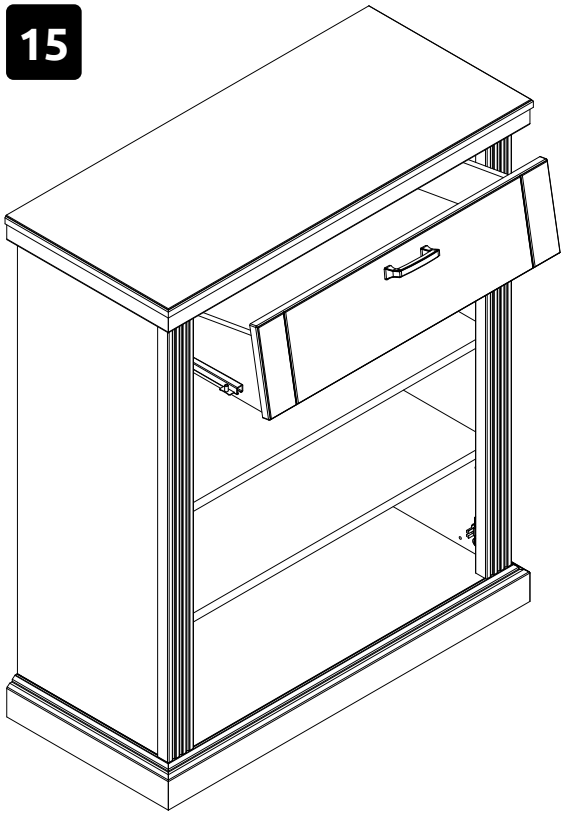
4







15



16

