



Front/Carcase	Colour code	
	handles/handle strips Aluminium colour	handles/handle strips Metallic grey
Sonoma oak colour	A6L91	AG343
Artisan oak colour	AD654	AG342
Metallic grey	AM871	AG341
Alpine white	A9L41	AG340



■ You will find matching extras after the wardrobes.

Supplier: Rauch Möbelwerke GmbH

Quality features

rauch BLUE



Interior colour
Texline colour



Metal guide rails



Drawers on silent ball-bearing runners



Optional dampers for hinged and sliding doors

Top workmanship

Proven fittings technology

Easy to assemble

Practical accessories

Material information



Colour

Furniture with colour finish has an evenly attractive, hard-wearing surface.



WOODMAX chipboard

This healthy green-wood chipboard was designed specifically for use in living areas. Our Woodmax chipboard is made only from pollutant-free small-diameter logs and windfall timber from sustainably managed forestry operations in regional woods.



Load-bearing capacity

The load limits for all furniture and extras can be found in the load table at: <https://qrco.de/rauch-belastungstabelle>

Our natural raw material

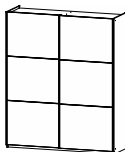

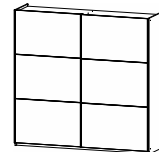
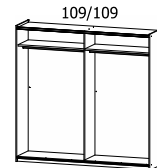
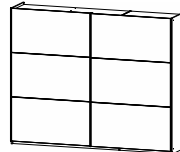

Rauch has won various awards for the material used in its boards. Strict tests by impartial institutes consistently confirm that our materials and processes are not harmful to health.

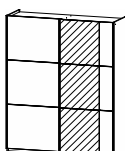
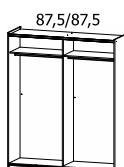
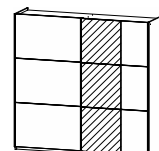
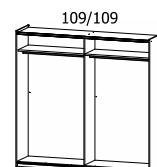
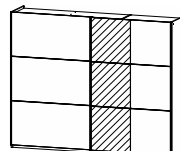
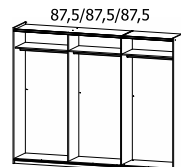
Award-winning and certified

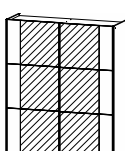
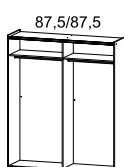
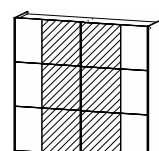
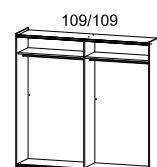
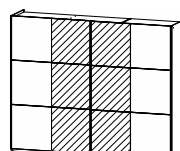



Front/Carcase	Colour code	
	Handle strips Aluminium colour	Handle strips Metallic grey
Sonoma oak colour	A6L91	AG343
Artisan oak colour	AD654	AG342
Metallic grey	AM871	AG341
Alpine white	A9L41	AG340

Minimum order quantity: 5 pieces

WARDROBES			Sliding door wardrobes						
<p>*NOTE! Design constraints necessitate a shelf thickness of 2.2 cm on unit widths of 109 cm.</p>									
							sliding door wardrobe	sliding door wardrobe	sliding door wardrobe
							2-door	2-door	2-door
							↔175 cm †210 cm ↘59 cm	↔218 cm †210 cm ↘59 cm	↔261 cm †210 cm ↘59 cm
Article	Price	4210	4211	4212					

WARDROBES			Sliding door wardrobes						
<p>*NOTE! Design constraints necessitate a shelf thickness of 2.2 cm on unit widths of 109 cm.</p>									
							sliding door wardrobe	sliding door wardrobe	sliding door wardrobe
							2-door, 1 mirror door, part mirror front	2-door, 1 mirror door, part mirror front	2-door, 1 mirror door, part mirror front
							↔175 cm †210 cm ↘59 cm	↔218 cm †210 cm ↘59 cm	↔261 cm †210 cm ↘59 cm
Article	Price	503C	503E	503F					

WARDROBES			Sliding door wardrobes						
<p>*NOTE! Design constraints necessitate a shelf thickness of 2.2 cm on unit widths of 109 cm.</p>									
							sliding door wardrobe	sliding door wardrobe	sliding door wardrobe
							2-door, 2 mirror doors, part mirror front	2-door, 2 mirror doors, part mirror front	2-door, 2 mirror doors, part mirror front
							↔175 cm †210 cm ↘59 cm	↔218 cm †210 cm ↘59 cm	↔261 cm †210 cm ↘59 cm
Article	Price	502R	503R	504R					

Front/Carcase	Colour code	
	handles/handle strips Aluminium colour	handles/handle strips Metallic grey
Sonoma oak colour	A6L91	AG343
Artisan oak colour	AD654	AG342
Metallic grey	AM871	AG341
Alpine white	A9L41	AG340

Minimum order quantity: 5 pieces

WARDROBES		Combination of hinged- and sliding door wardrobes.					
<p>*NOTE! Design constraints necessitate a shelf thickness of 2.2 cm on unit widths of 109 cm.</p>							
					hinged/sliding wardrobe	hinged/sliding wardrobe	hinged/sliding wardrobe
					4-door	4-door	4-door
					↔269 cm †210 cm ↗59 cm	↔312 cm †210 cm ↗59 cm	↔355 cm †210 cm ↗59 cm
Article	Price	081A	081B	081C			

WARDROBES		Combination of hinged- and sliding door wardrobes.					
<p>*NOTE! Design constraints necessitate a shelf thickness of 2.2 cm on unit widths of 109 cm.</p>							
					hinged/sliding wardrobe	hinged/sliding wardrobe	hinged/sliding wardrobe
					4-door, 2 mirror doors, part mirror front	4-door, 2 mirror doors, part mirror front	4-door, 2 mirror doors, part mirror front
					↔269 cm †210 cm ↗59 cm	↔312 cm †210 cm ↗59 cm	↔355 cm †210 cm ↗59 cm
Article	Price	081I	081K	081L			

Matching accessories can be found after the wardrobes.







Front/Carcase	Colour code
	Aluminium-coloured handle strips
Artisan oak colour	AD654
Metallic grey	AM871
Alpine white	A9L41


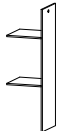
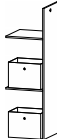
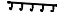

WARDROBES		Sliding door wardrobes incl. interior-package. Aluminium-coloured handle strips.		
		<p>87,5/87,5</p> <p>sliding door wardrobe</p> <p>2-door, 1 mirror door, incl. interior drawer+soft close</p> <p>↔175 cm ‡210 cm ↙59 cm</p>	<p>Set consisting of:</p> <ul style="list-style-type: none"> 1 x 503C sliding door wardrobe ↔175 cm 1 x 97W3 set of 3 shelves ↔85 cm 1 x 9846 interior drawer ↔58 cm 1 x 9TDD set of 2 dampers for sliding wardrobes 	
		<p>109/109</p> <p>sliding door wardrobe</p> <p>2-door, 1 mirror door, with extras + Dampers</p> <p>↔218 cm ‡210 cm ↙59 cm</p>		<p>Set consisting of:</p> <ul style="list-style-type: none"> 1 x 503E sliding door wardrobe ↔218 cm 1 x 98W1 1 shelf ↔107 cm 1 x 9934 wardrobe interior division with 2 shelves for unit width 90cm 1 x 9846 interior drawer ↔58 cm 1 x 9TDD set of 2 dampers for sliding wardrobes <p>*NOTE! Design constraints necessitate a shelf thickness of 2.2 cm on unit widths of 109 cm.</p>
		<p>Article</p> <p>Price</p> <p>0864</p>		

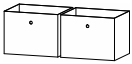
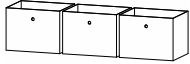
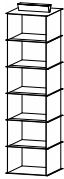
WARDROBES		Sliding door wardrobes incl. interior-package. Aluminium-coloured handle strips.		
		<p>87,5/87,5/87,5</p> <p>sliding door wardrobe</p> <p>2-door, 1 mirror door, with extras + Dampers</p> <p>↔261 cm ‡210 cm ↙59 cm</p>	<p>Set consisting of:</p> <ul style="list-style-type: none"> 1 x 503F sliding door wardrobe ↔261 cm 1 x 97W3 set of 3 shelves ↔85 cm 1 x 9934 wardrobe interior division with 2 shelves for unit width 90cm 1 x 9846 interior drawer ↔58 cm 1 x 9TDD set of 2 dampers for sliding wardrobes 	
		<p>Article</p> <p>Price</p> <p>0898</p>		

Extras for sliding door wardrobes can be found on the next page.

Colour	Colour code
Texline (natural-colour linen look)	A0039

ELEMENT WIDTH ▶		65	87	109	65	87	109		
Design constraints necessitate a shelf thickness of 2.2 cm on unit widths of 109 cm.									
		Shelf for unit width 66cm ↔63 cm †1,6 cm ↗45 cm	Shelf for unit width 87 cm ↔85 cm †1,6 cm ↗45 cm	Shelf for unit width 109 cm ↔107 cm †2,2 cm ↗45 cm	hanging rail for unit width 66cm ↔63 cm †3 cm ↗2 cm	hanging rail for unit width 87 cm ↔84 cm †3 cm ↗2 cm	hanging rail for unit width 109 cm ↔106 cm †3 cm ↗2 cm		
		1 pieces	Price	94W1	97W1	98W1	97K1	9724	9762
of 2		97W0	97W2	98W2	---	---	---	---	---
Set of 3		94W3	97W3	98W3	---	---	---	---	---
Set of 5		94W5	97W5	---	---	---	---	---	---

GENERAL		Drawer unit and interior division match all unit widths.				
						
		interior drawer with 2 drawers ↔58 cm †39 cm ↗45 cm	wardrobe interior division with 2 shelves for unit width 90cm ↔45 cm †147 cm ↗45 cm	Interior division with 2 shelves for unit width 90cm, 2 Fabric boxes ↔45 cm †147 cm ↗45 cm	hooks ↔35 cm †5 cm ↗5 cm	set of 2 dampers for sliding wardrobes Cushions the door stop on the outer panels of the wardrobe.
		Article	Price	9846	9934	035W

GENERAL				
				
		fabric box set of 2 grey 2x ↔38 cm †29 cm ↗29 cm	fabric box set of 3 grey 3x ↔38 cm †29 cm ↗29 cm	hanging fabric box fabric for clothes rail ↔30 cm †115 cm ↗30 cm
		Article	Price	93G2