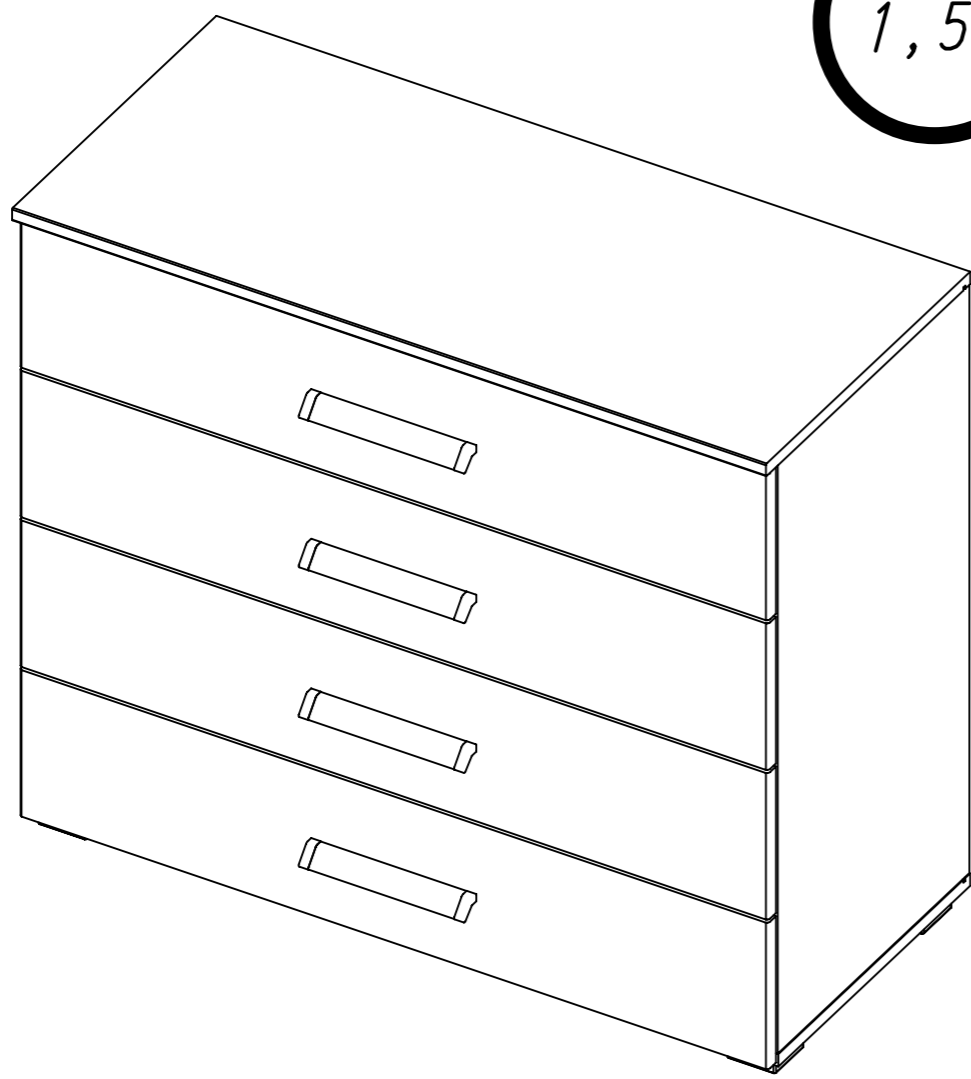
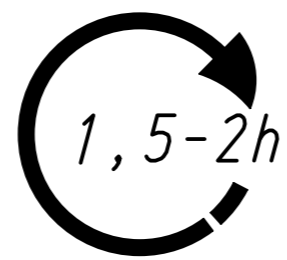
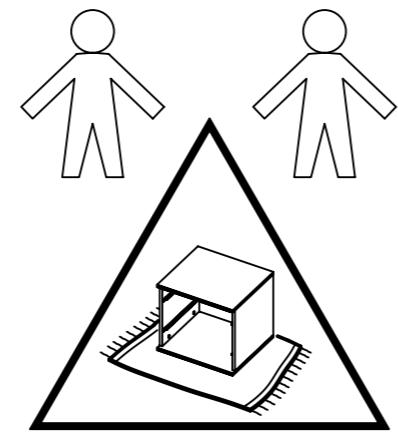
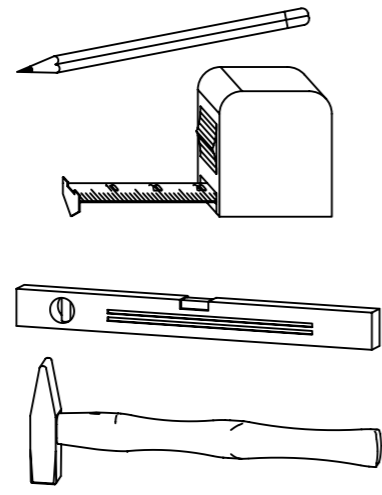
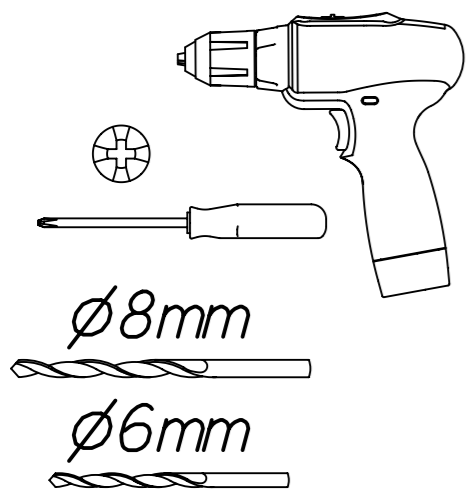


1.

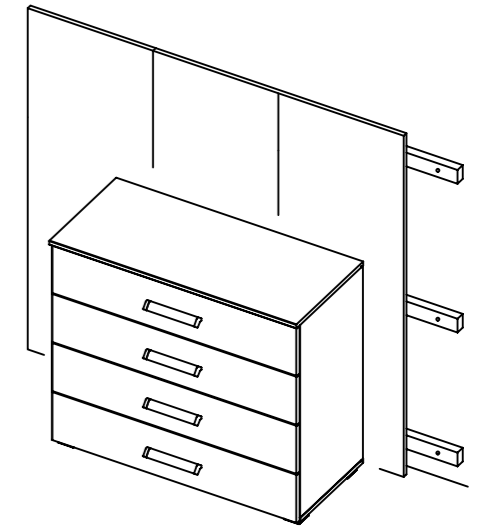
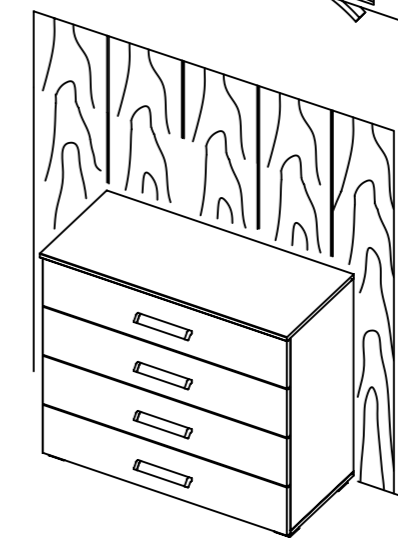
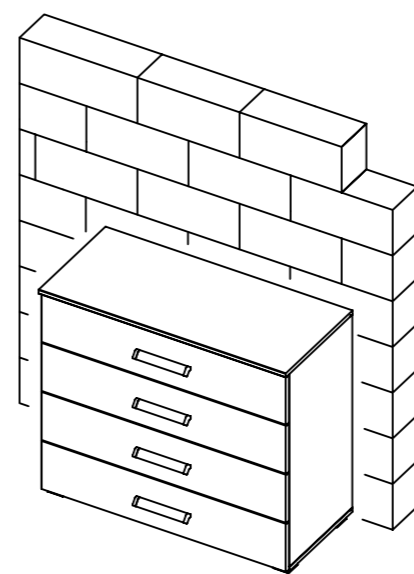
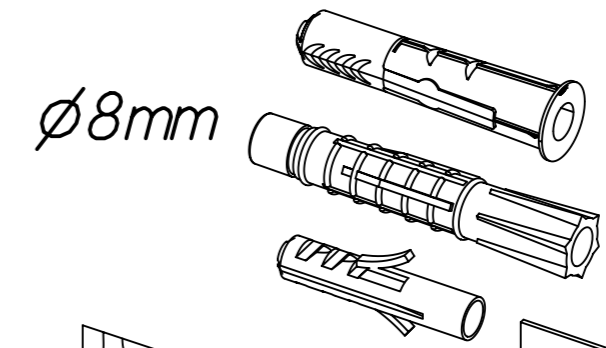
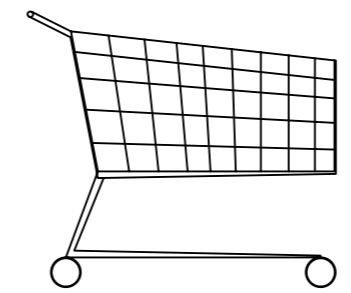
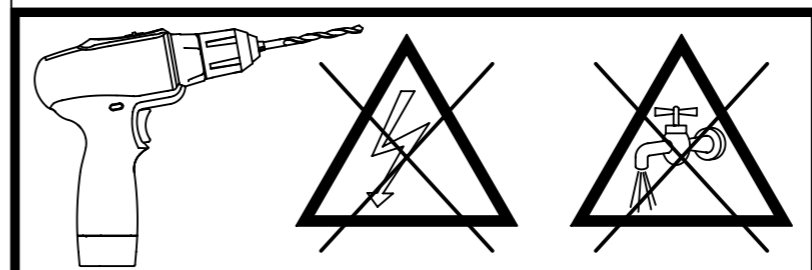
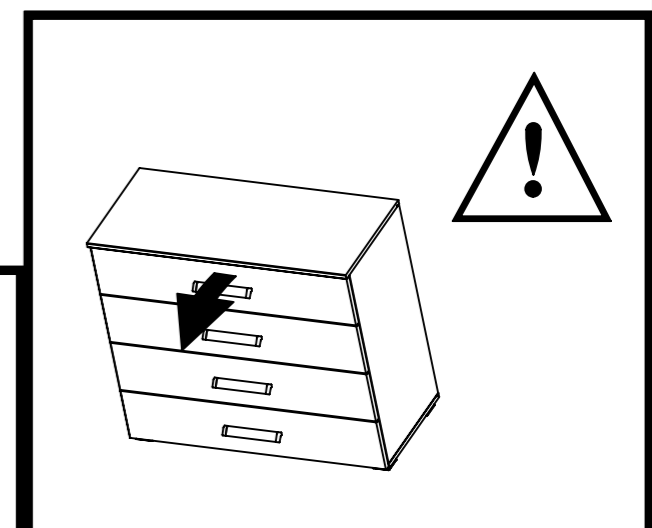
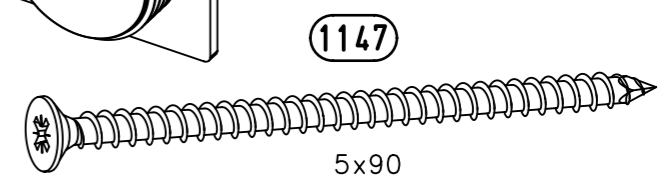
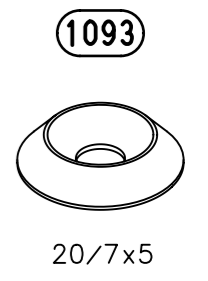
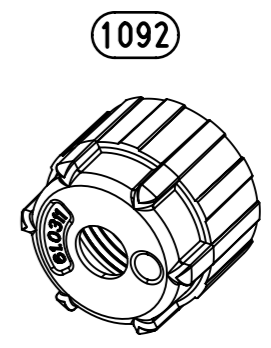
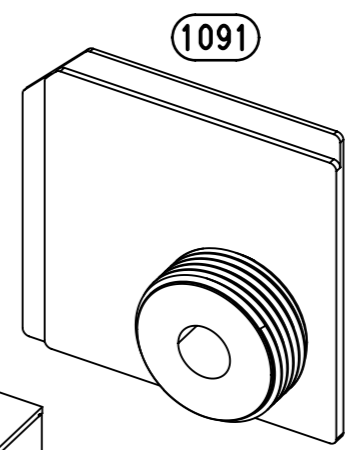
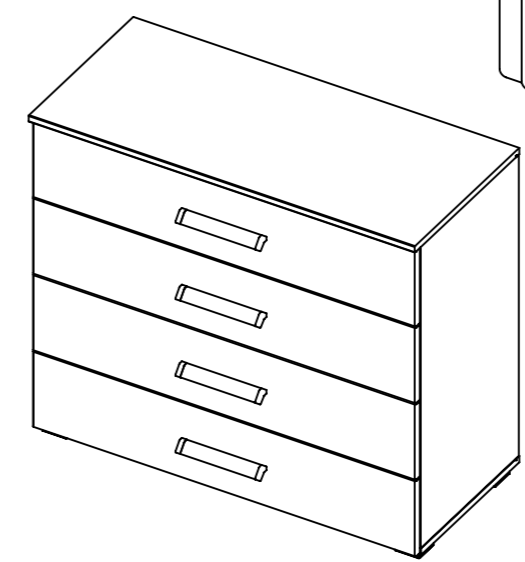
M2144_04

rauch

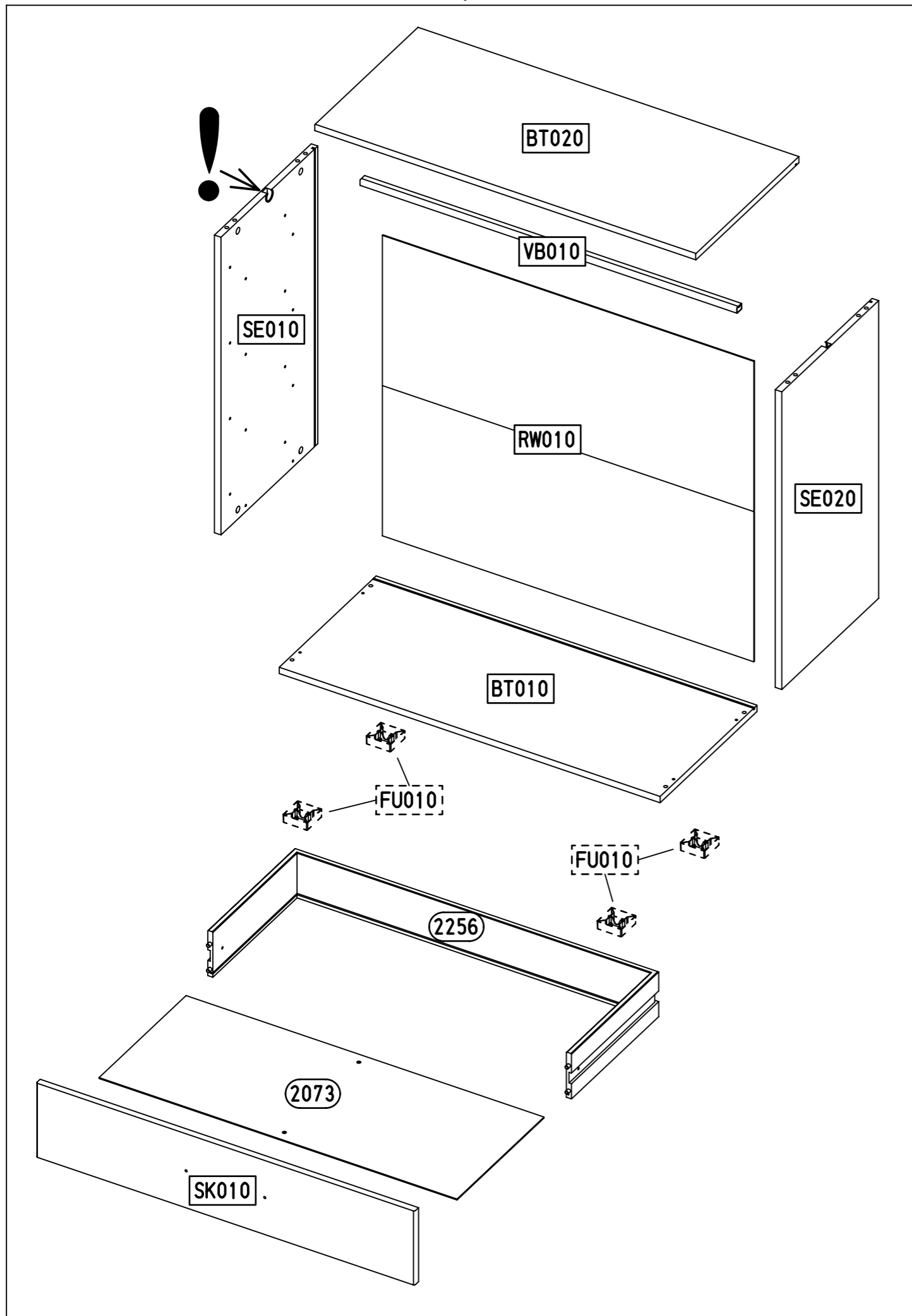


2.

2x

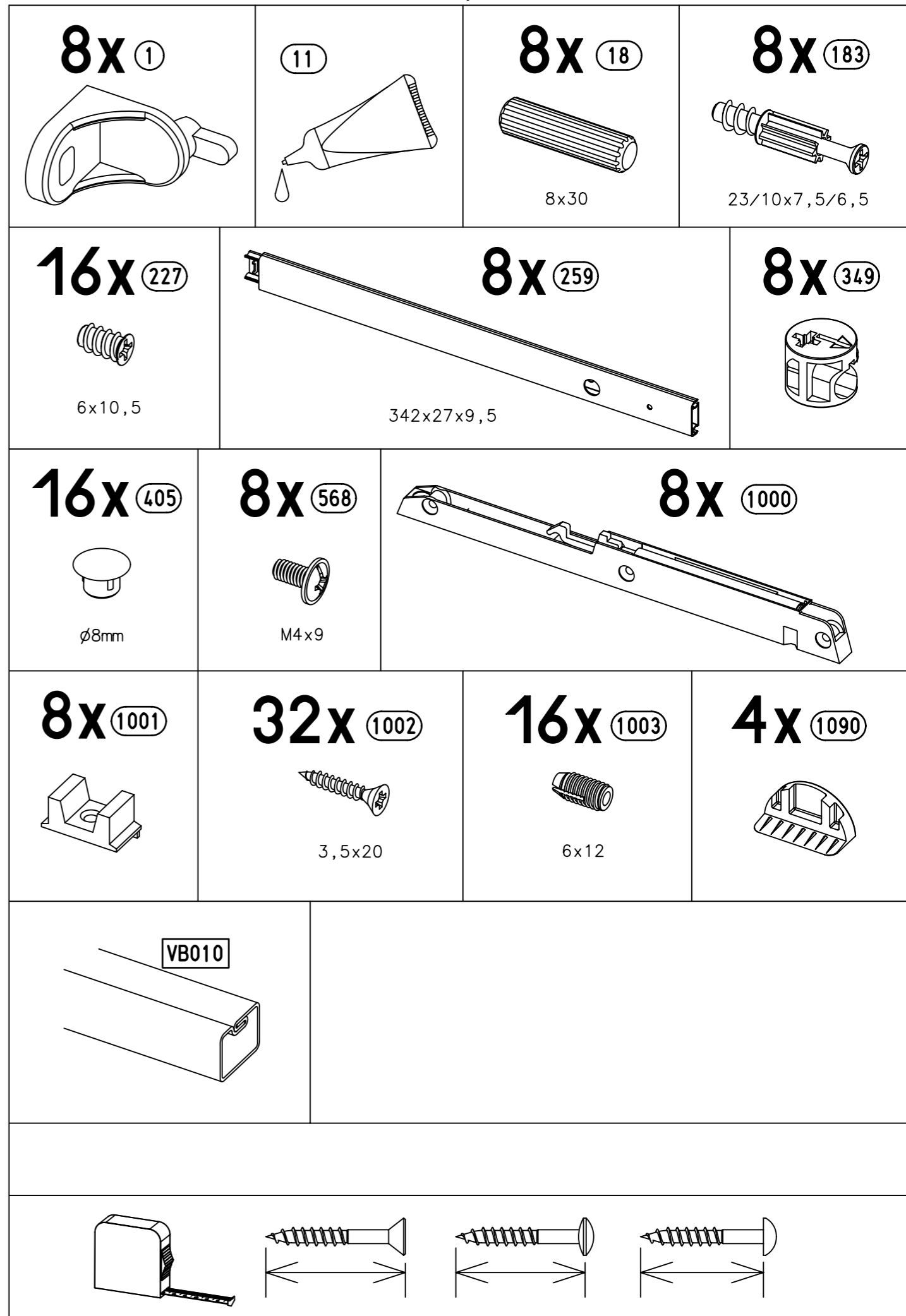


3.



M2144

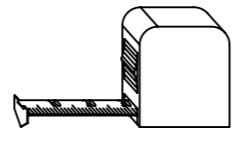
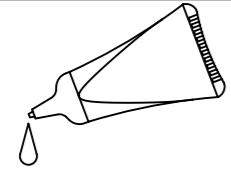
4.



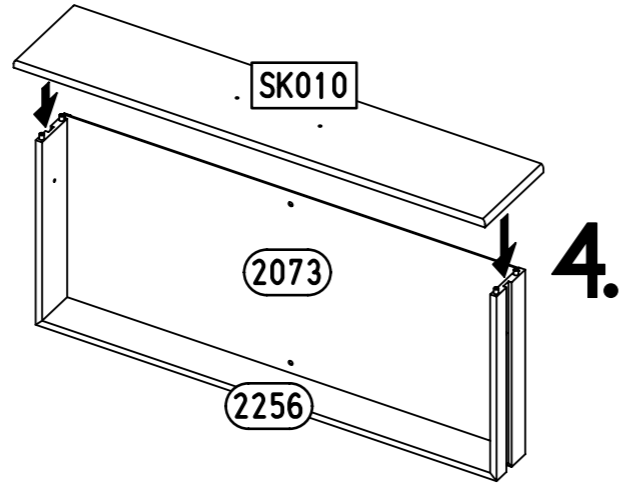
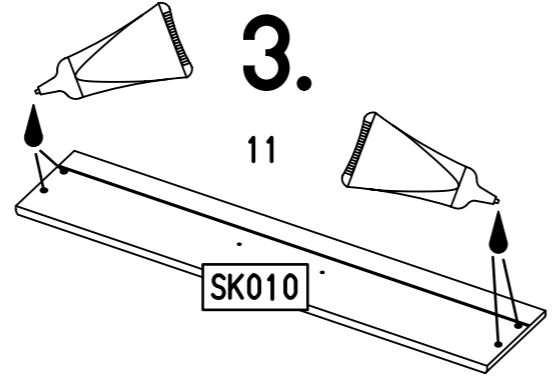
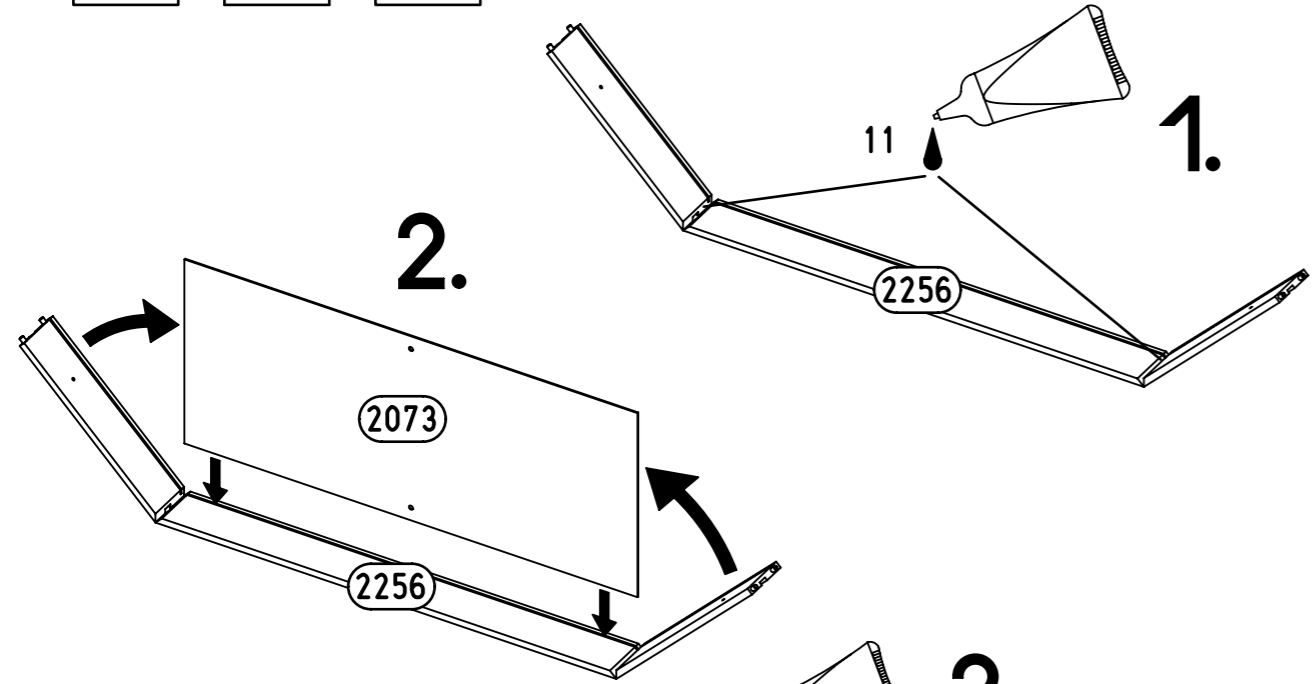
M2144

1

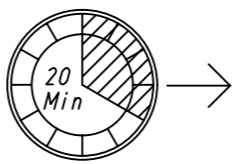
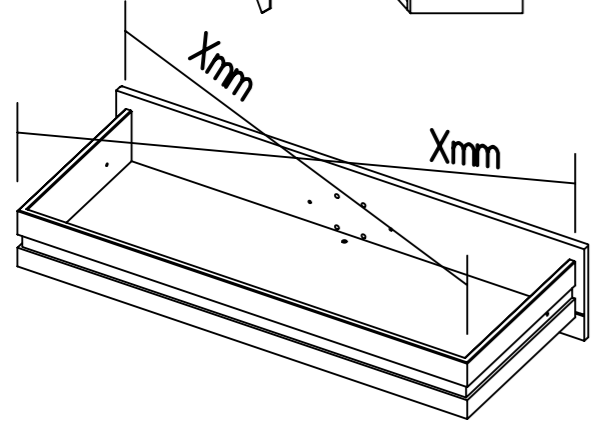
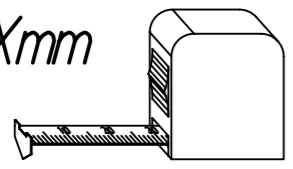
11



SK010 = SK020 = SK030

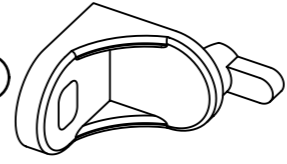


Xmm = Xmm

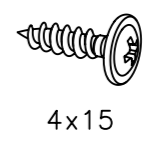


2

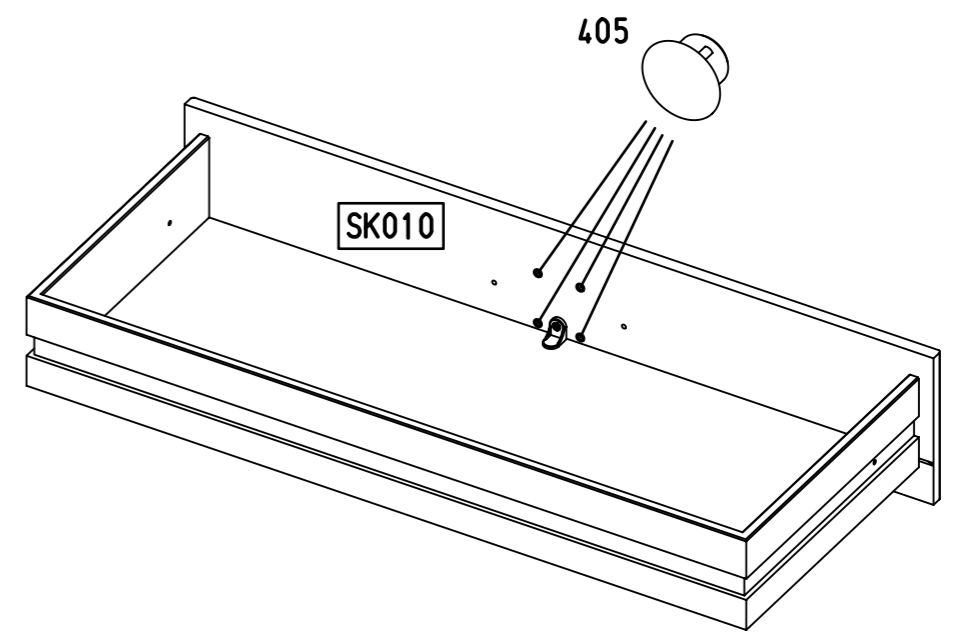
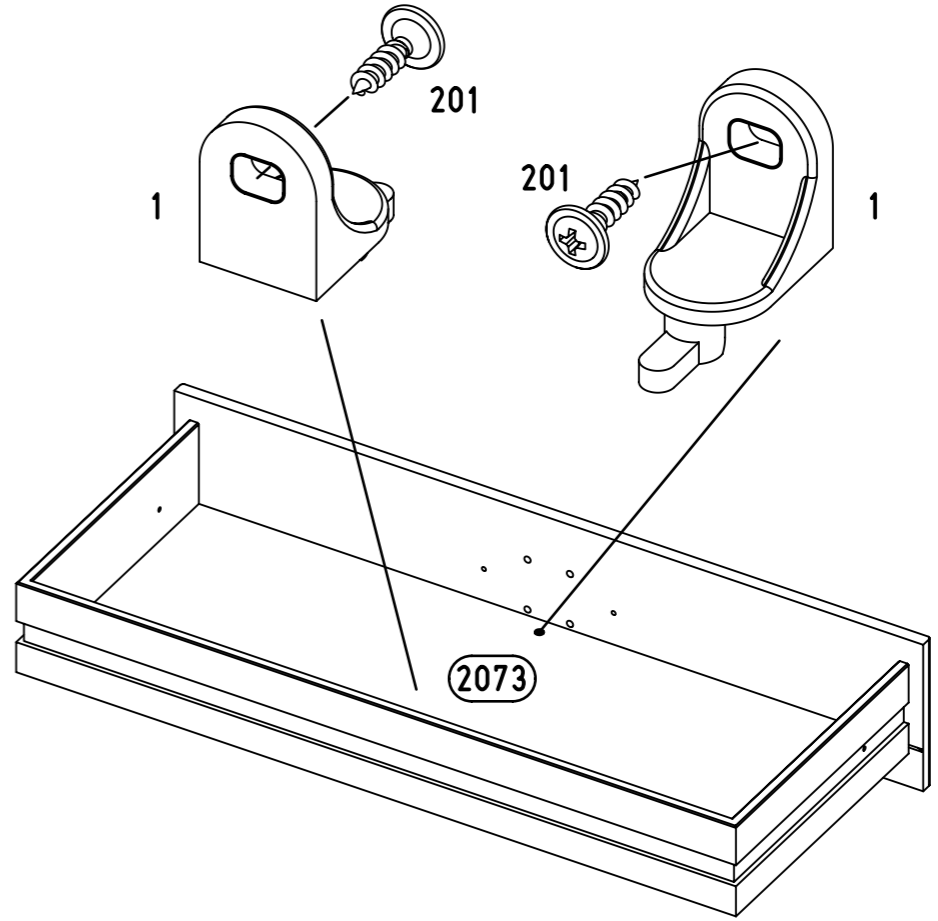
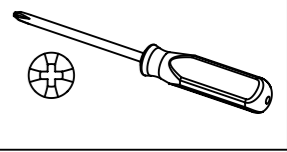
8x 1



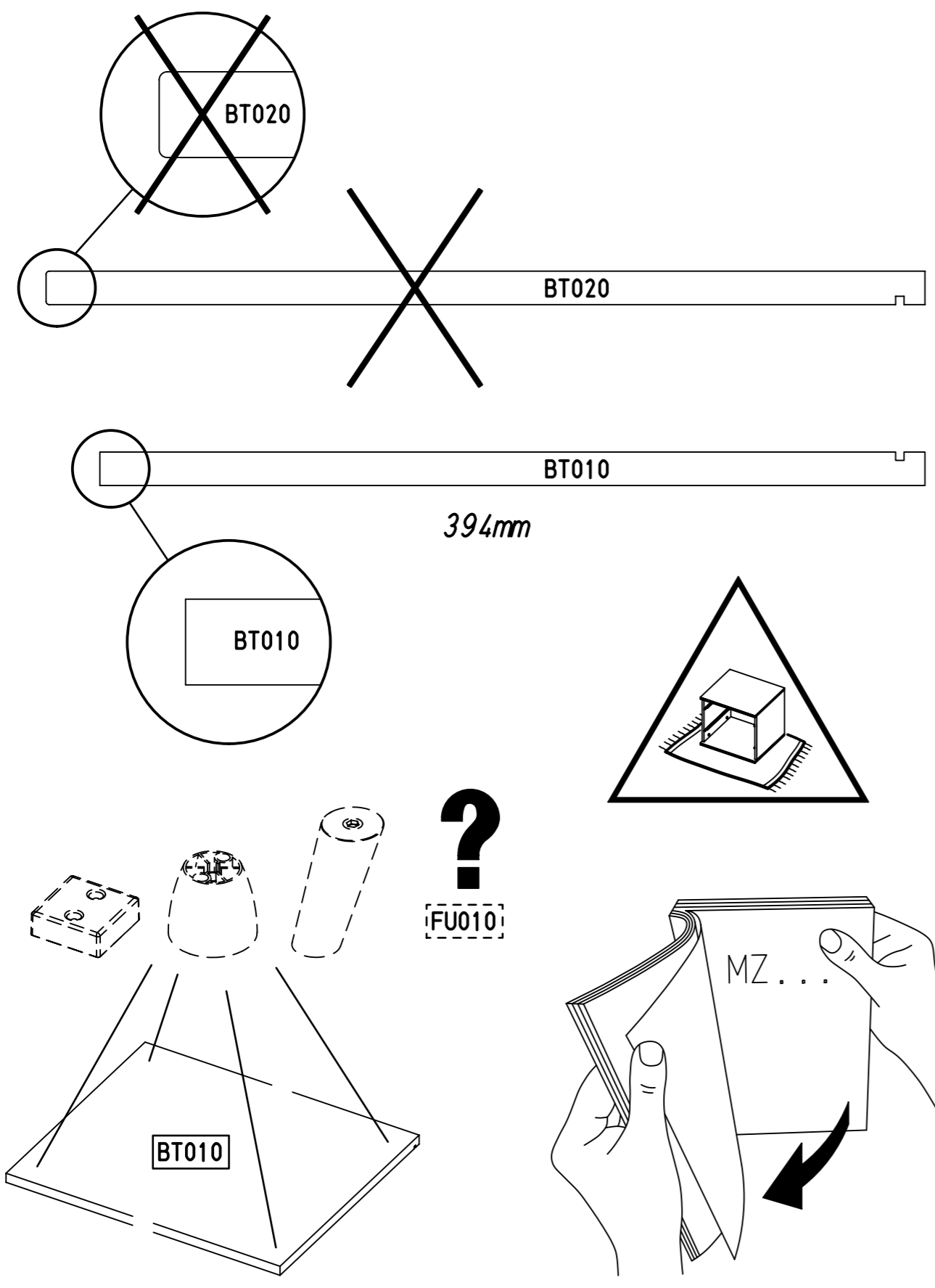
8x 201



16x 405

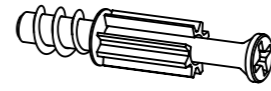


3

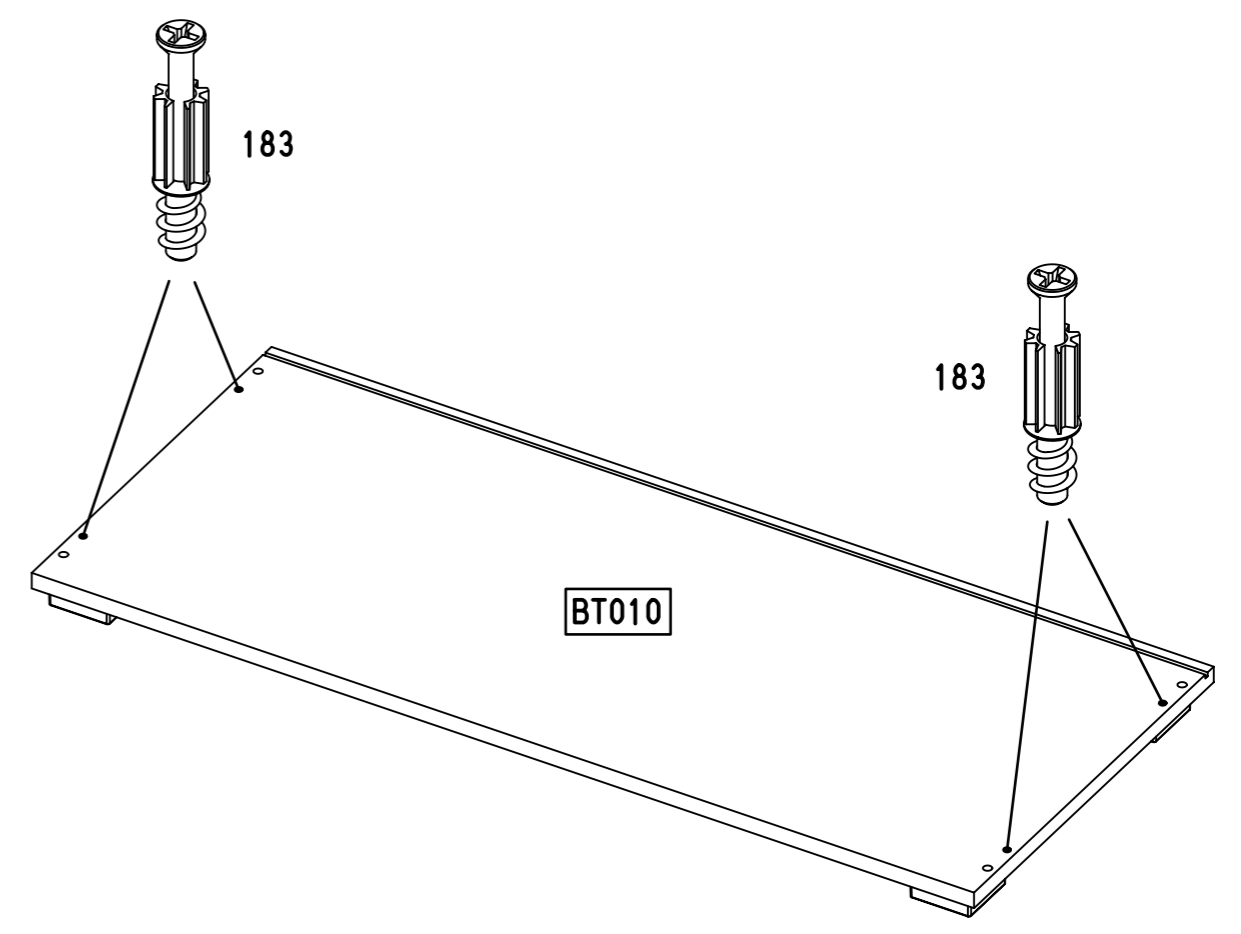
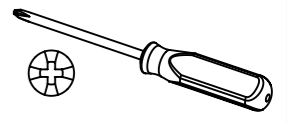


4

4x 183



23/10x7,5



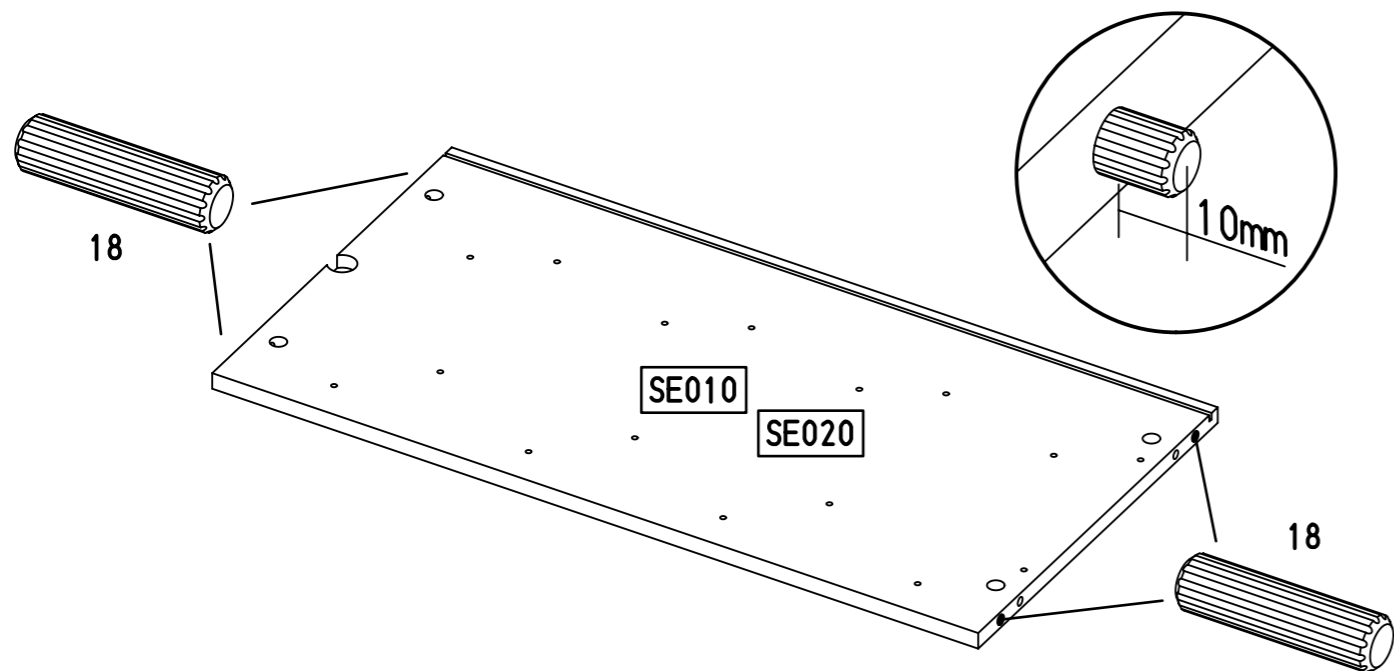
9.

5

8x 18

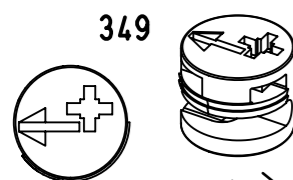
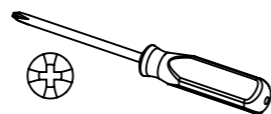


8x30

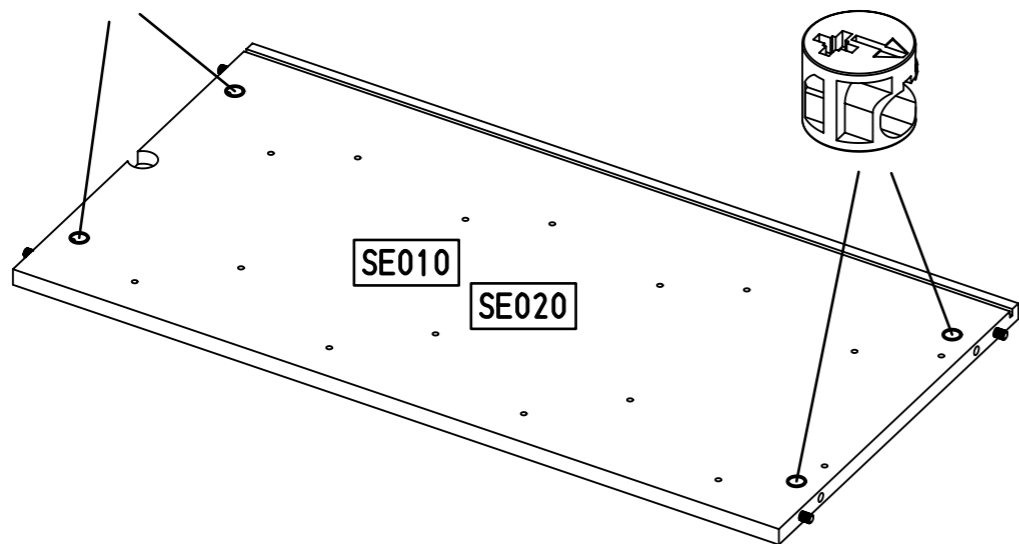
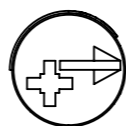


6

8x 349



349

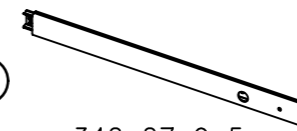


M2144

10.

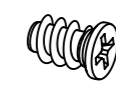
7

4x 259

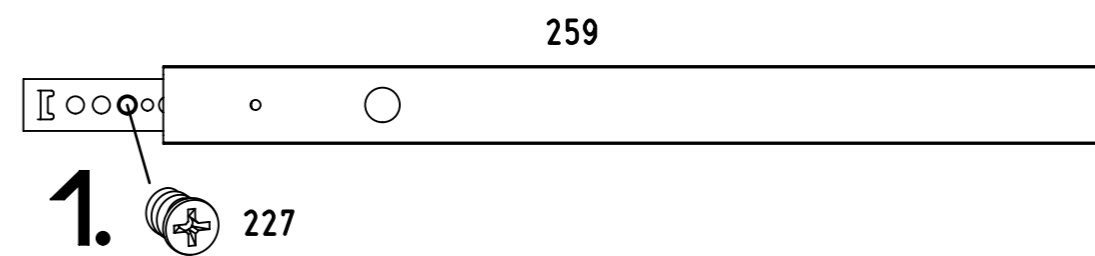
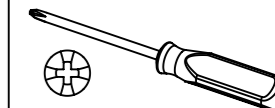


342x27x9,5

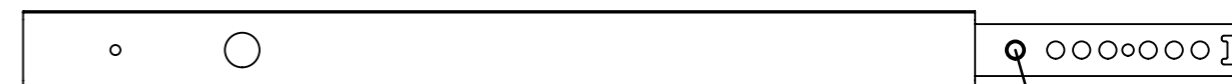
8x 227



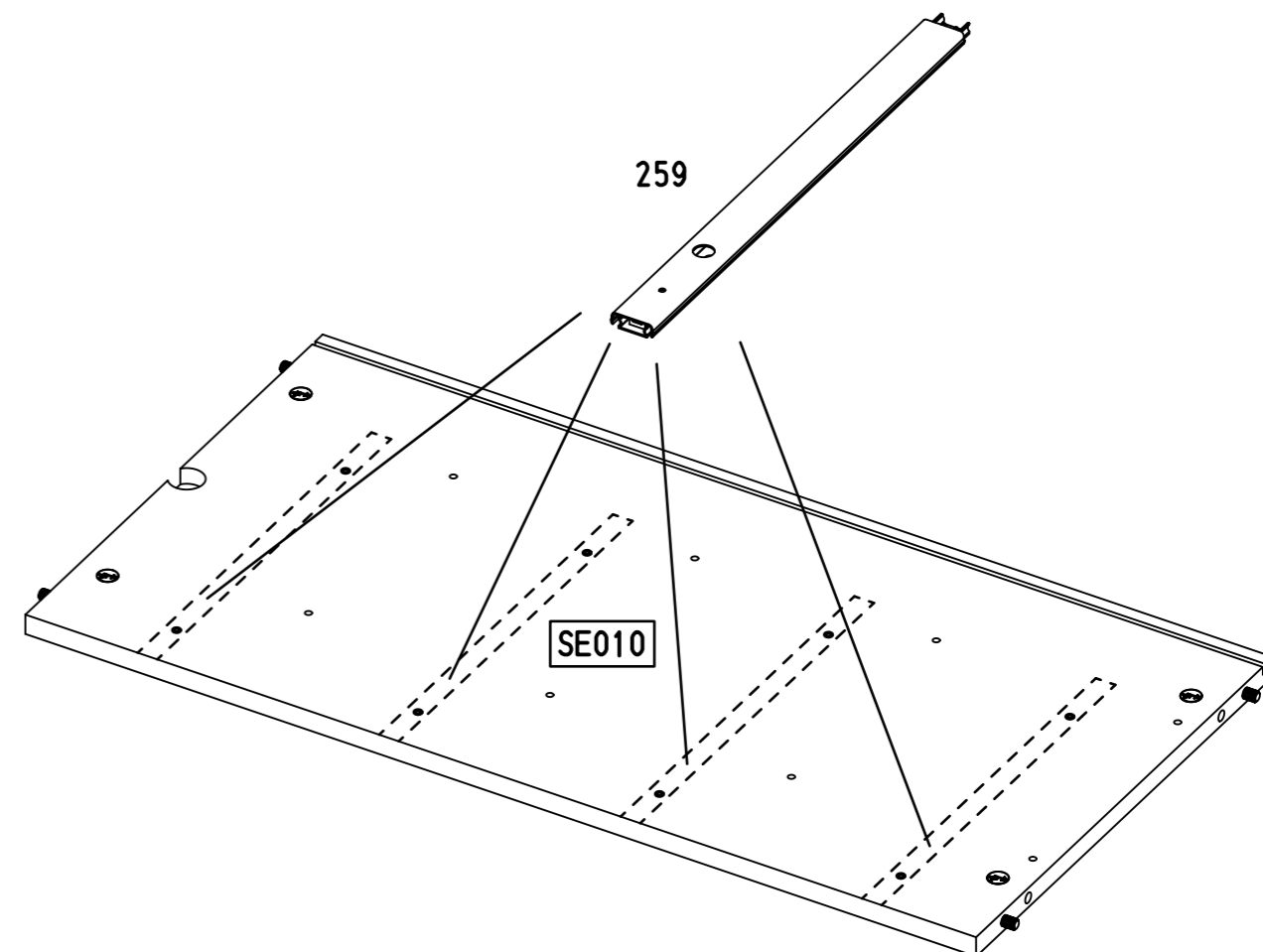
6x10,5



1.



2.



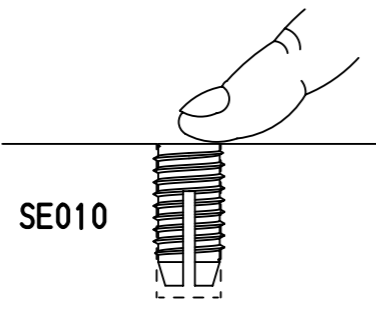
M2144

8

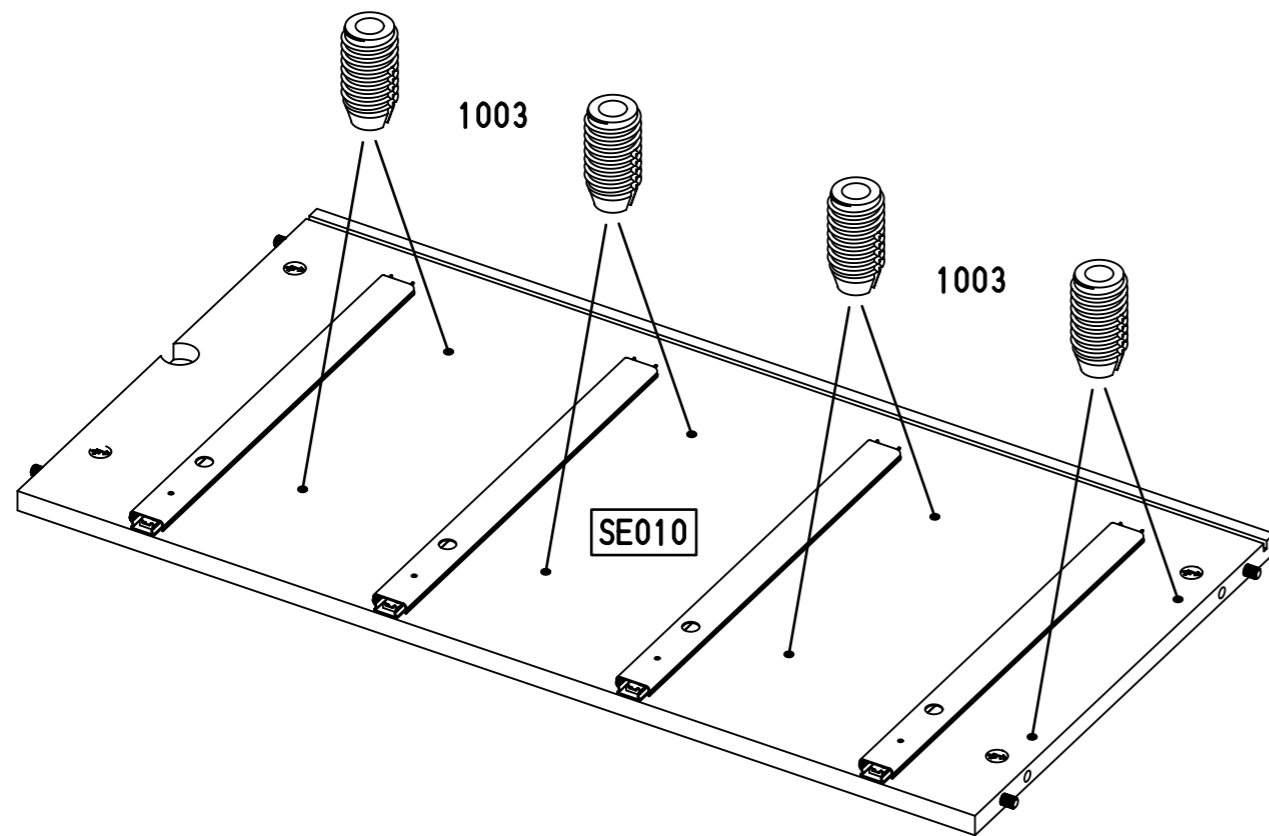
8x 1003



6x12



SE010



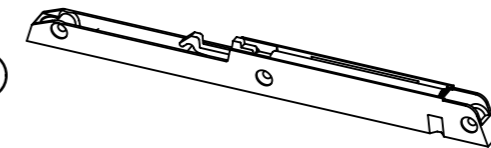
SE010

1003

1003

9

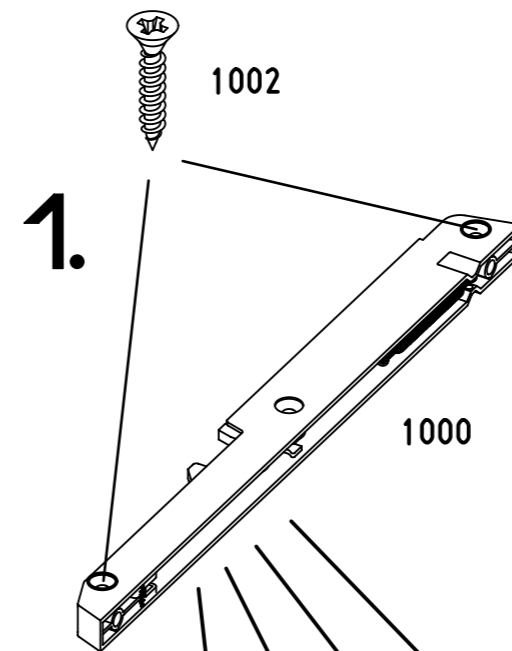
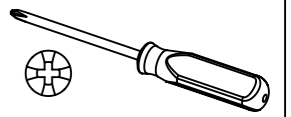
4x 1000



12x 1002



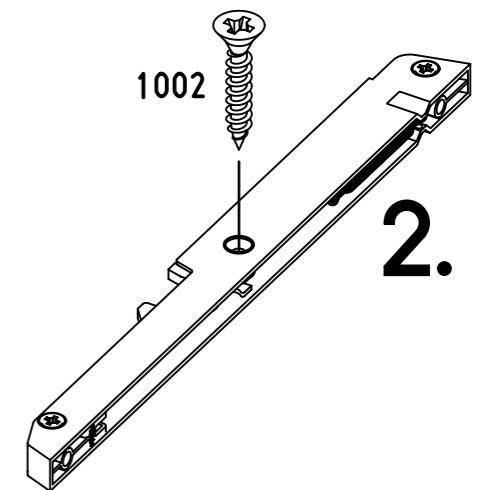
3,5x20



1.

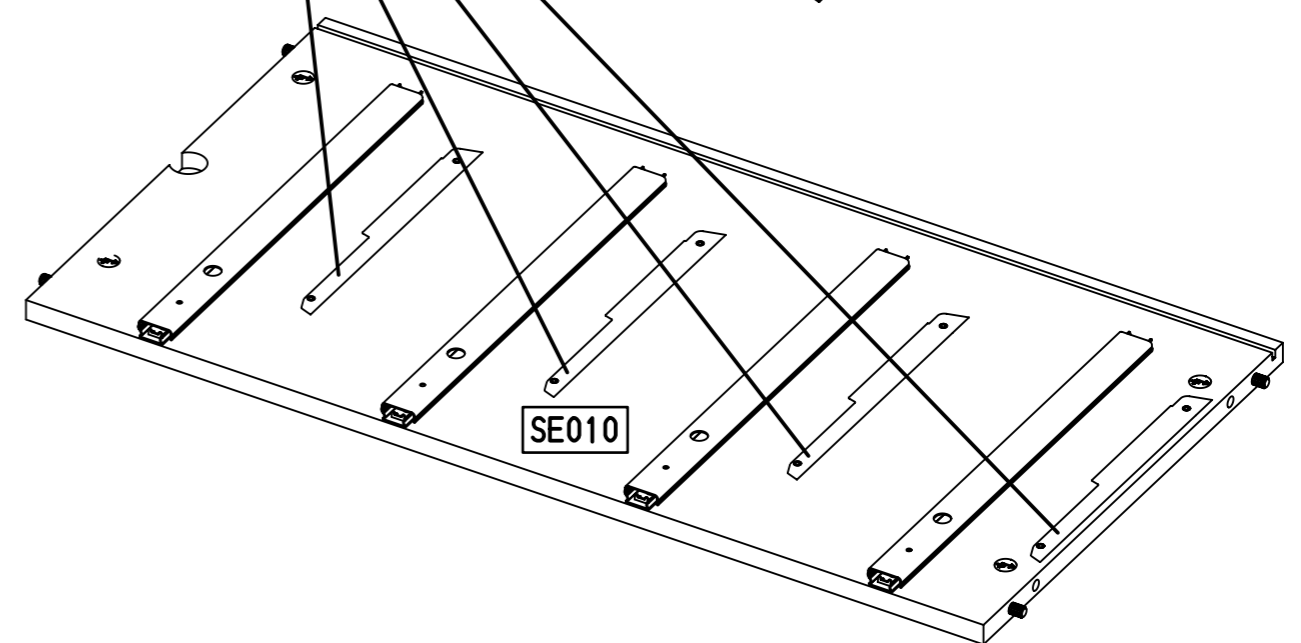
1002

1000



1002

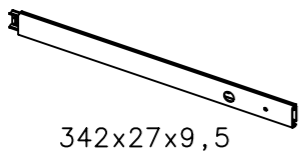
2.



SE010

10

4x 259

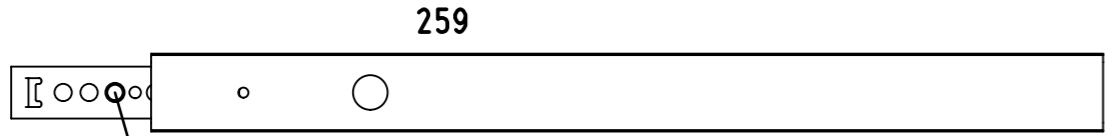
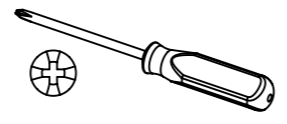


342x27x9,5

8x 227



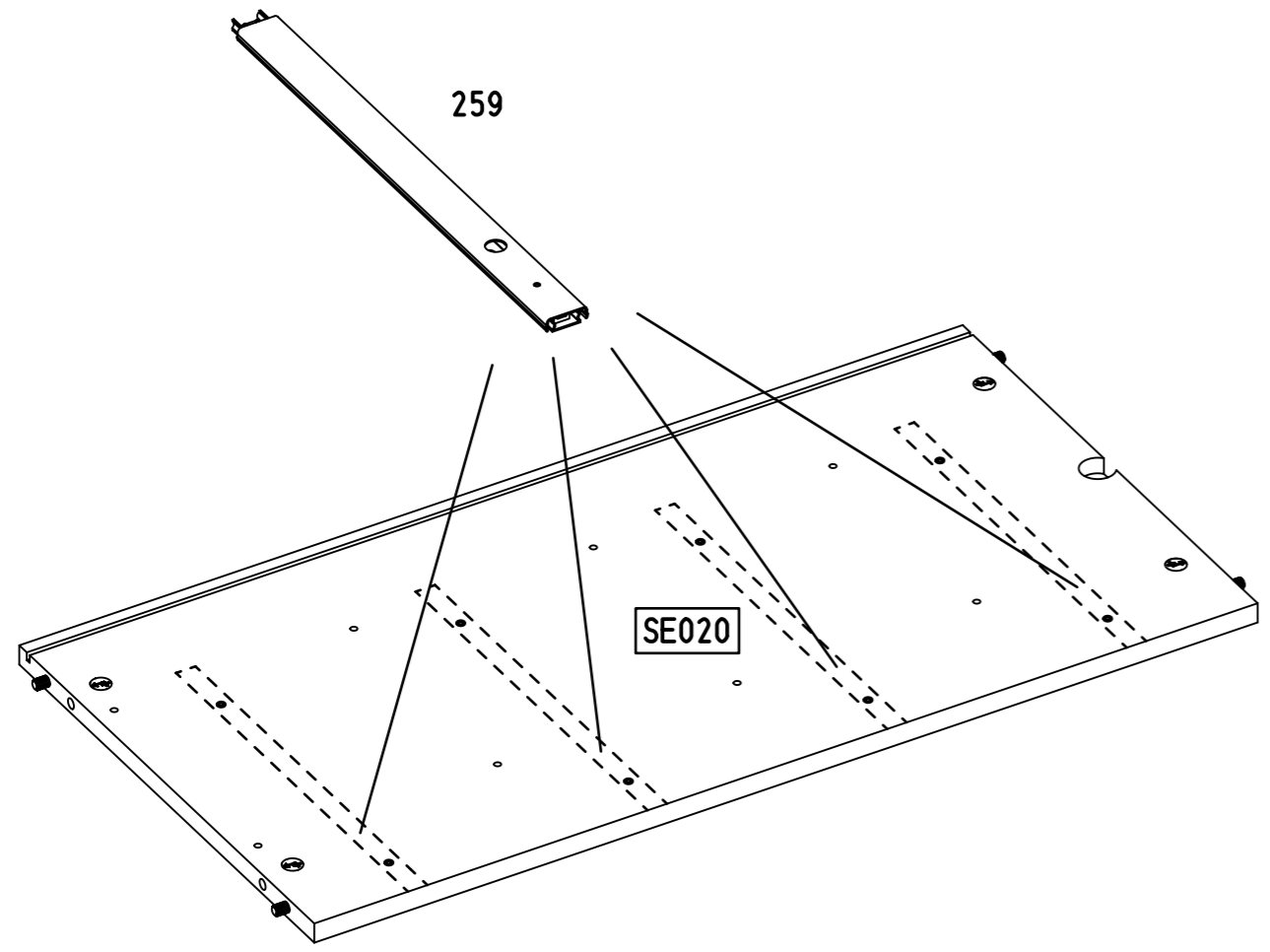
6x10,5



1. 227



2. 227

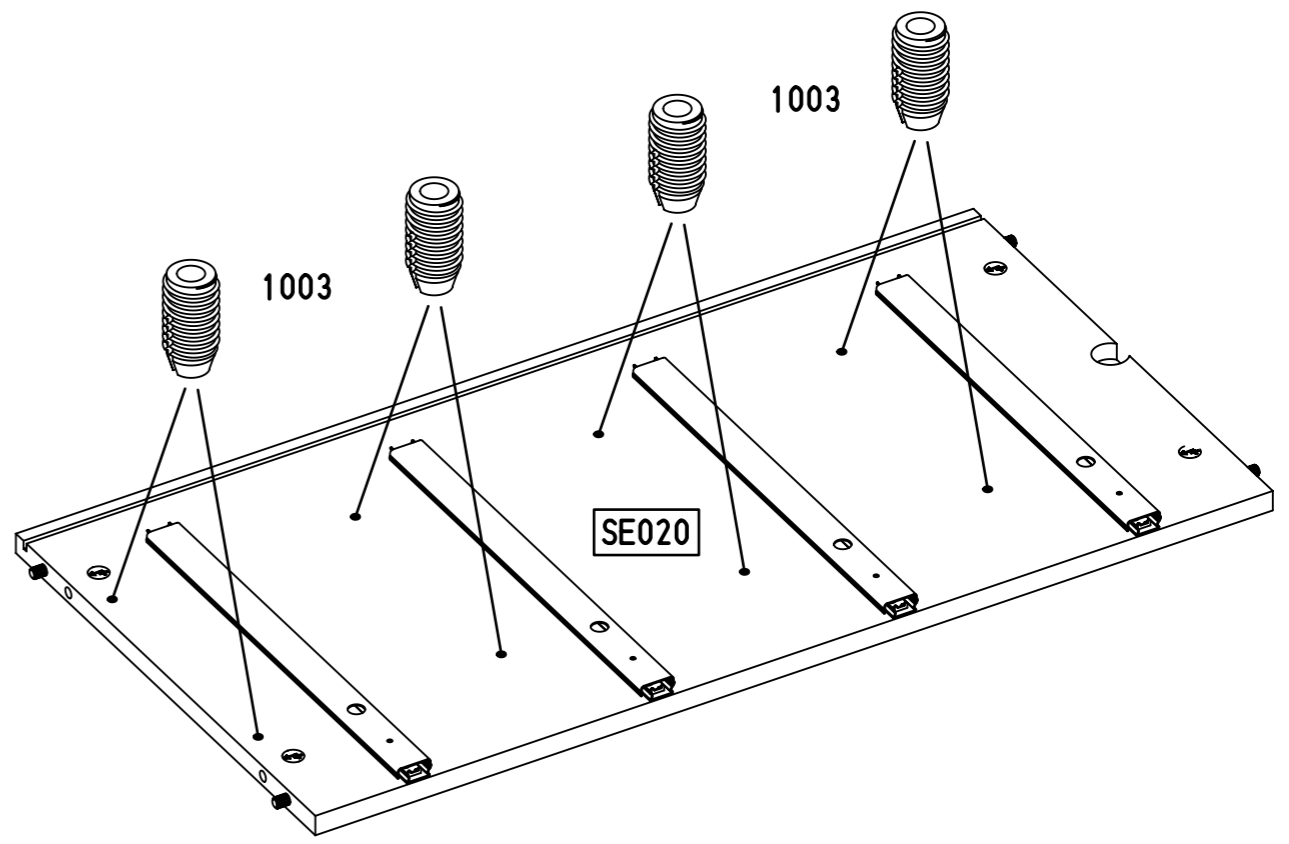
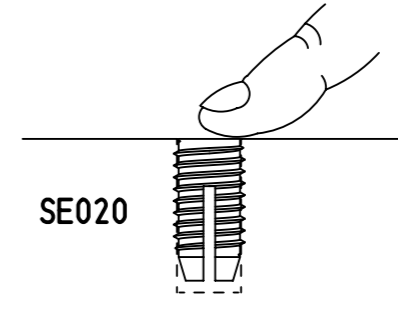
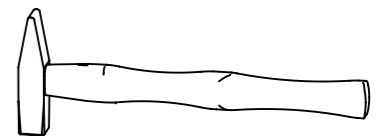


11

8x 1003

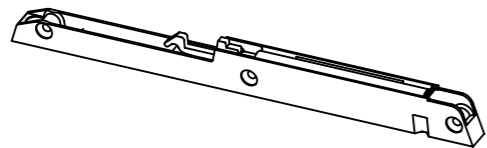


6x12

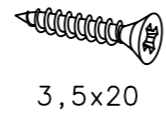


12

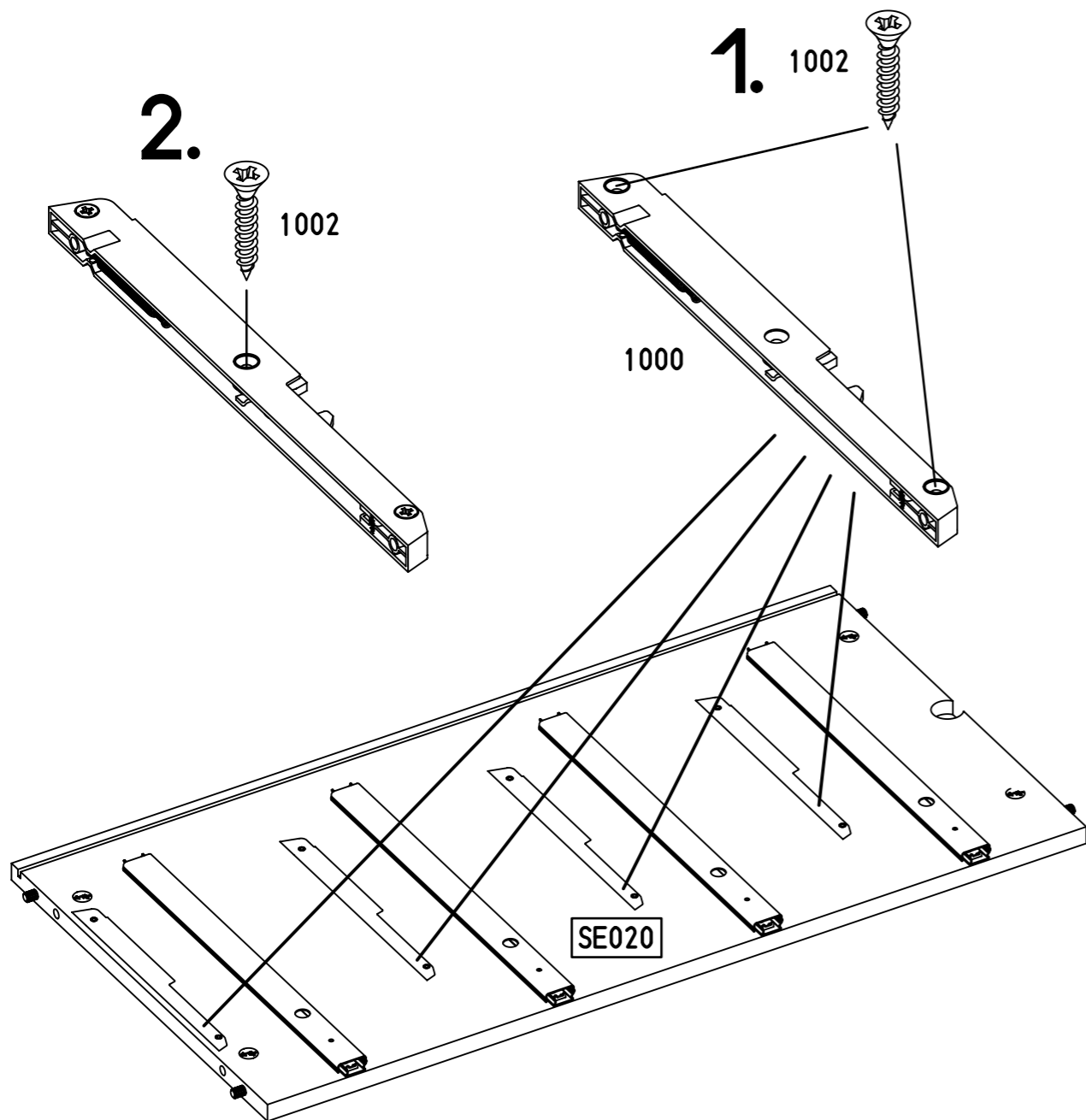
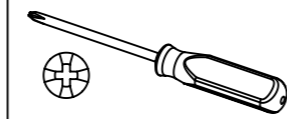
4x 1000



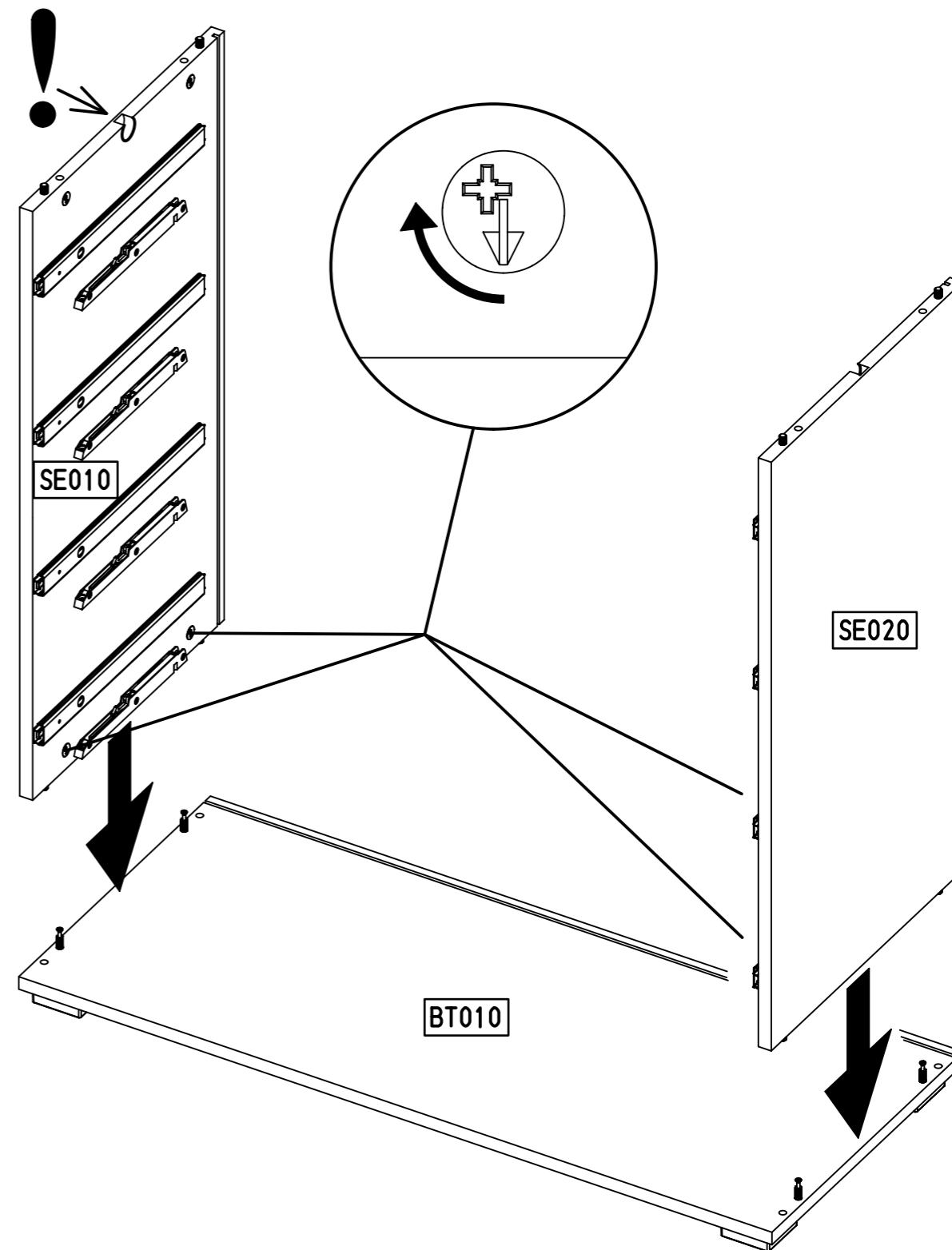
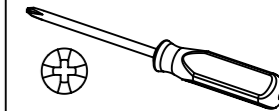
12x 1002



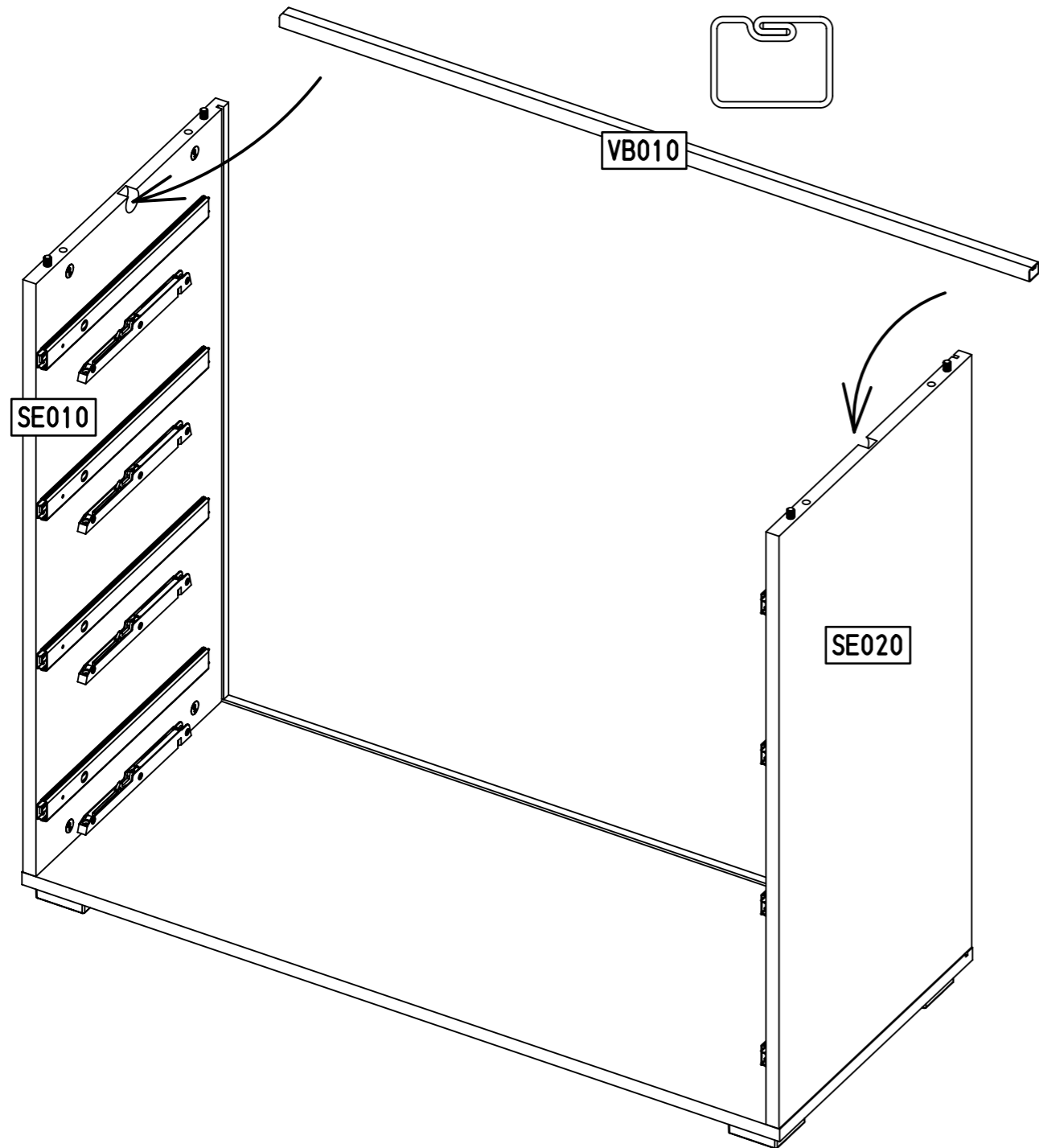
3,5x20



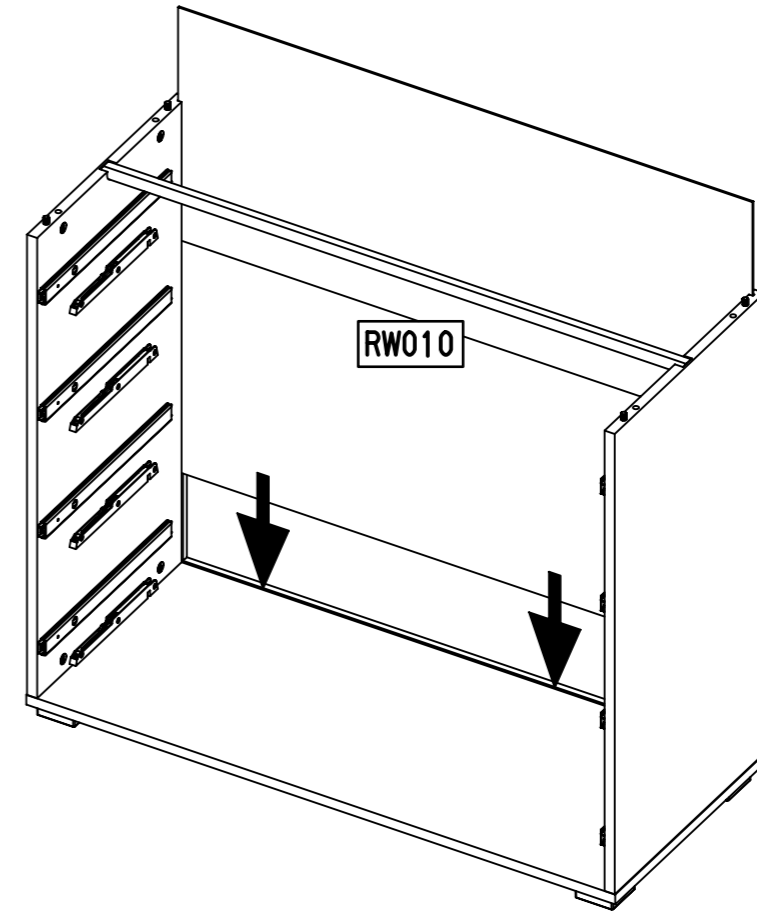
13



14



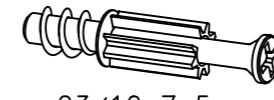
15



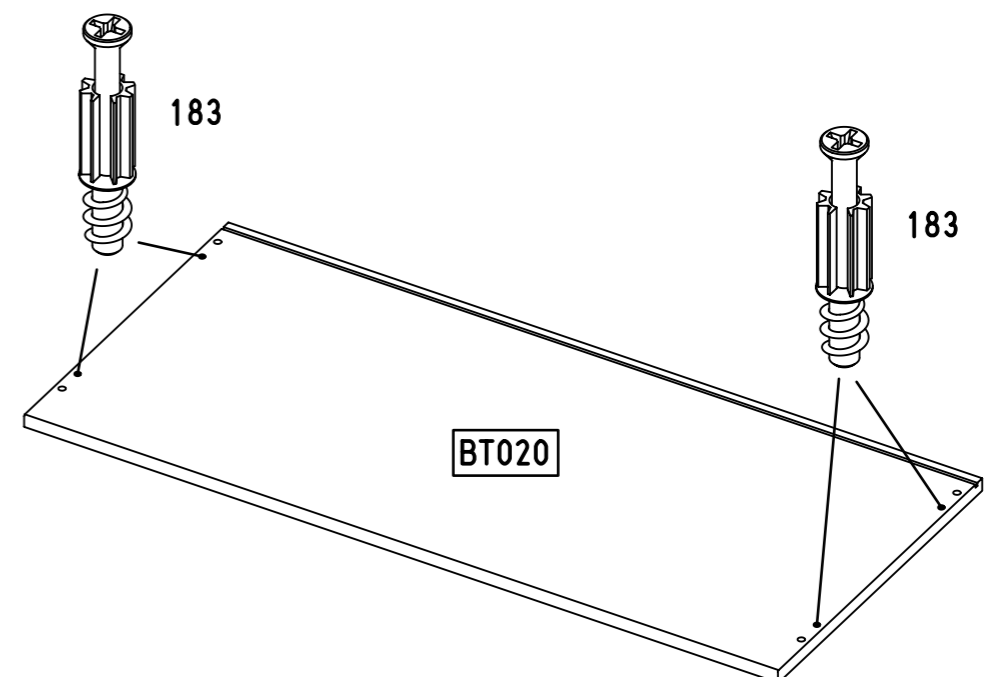
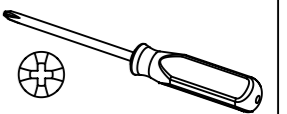
16

4x

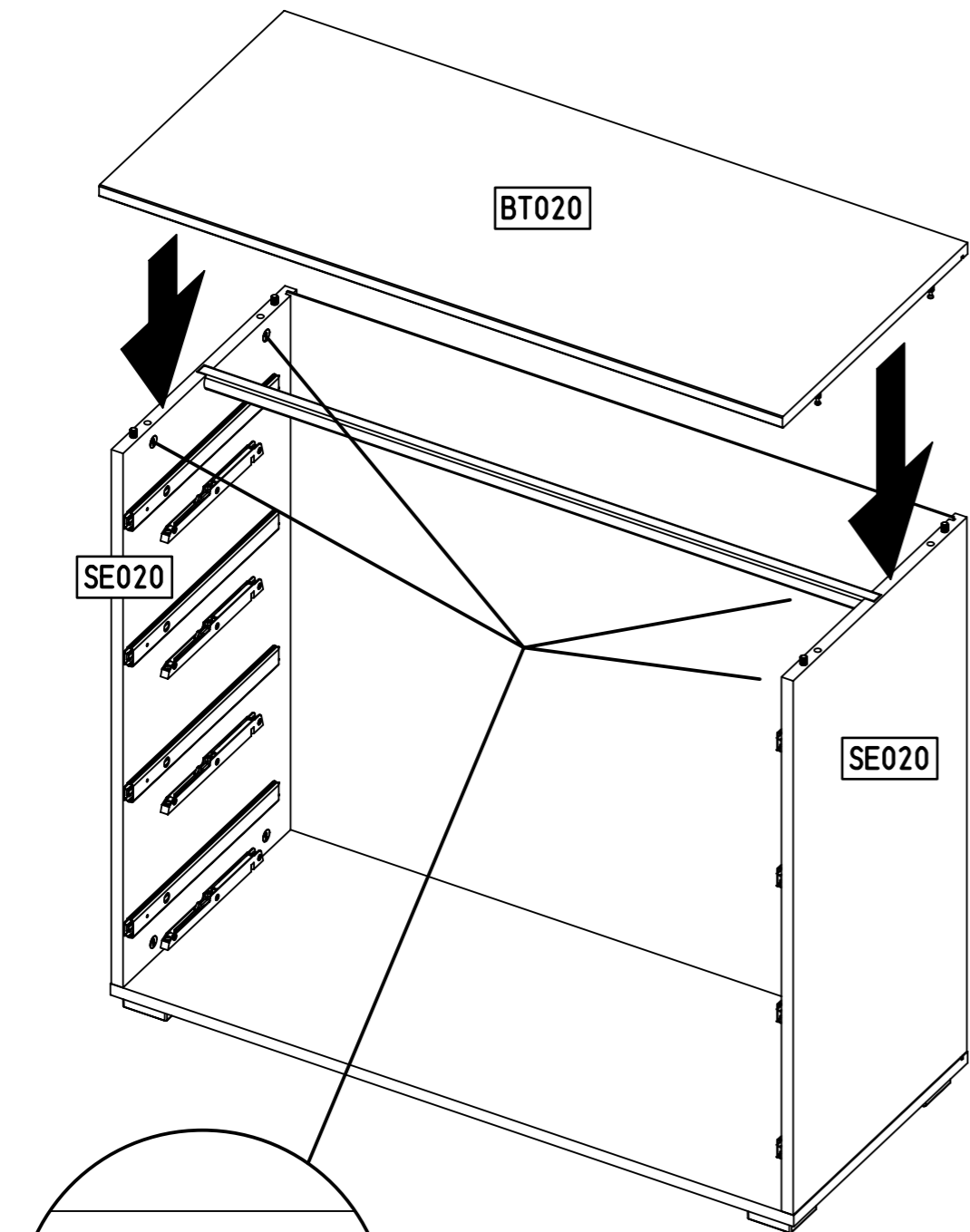
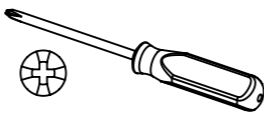
183



23/10x7,5

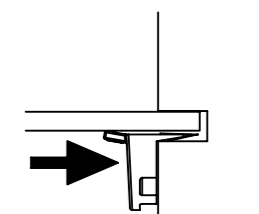
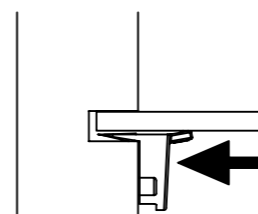
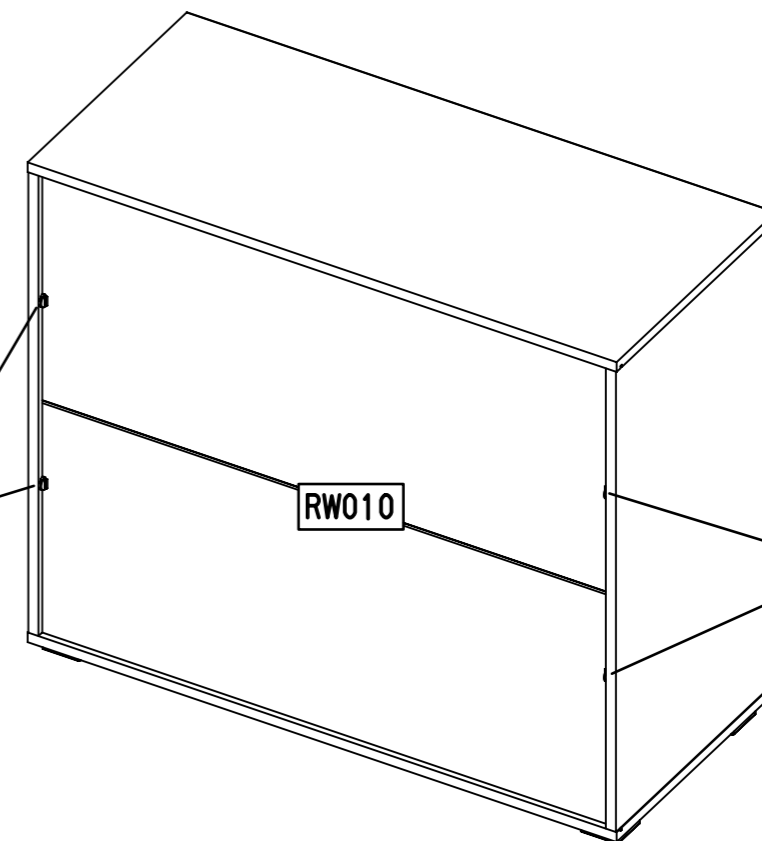
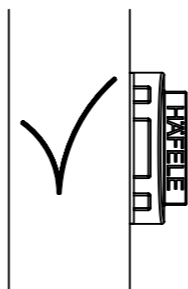
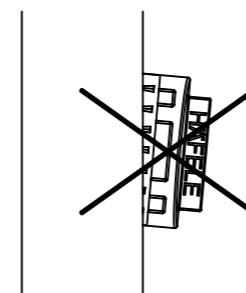
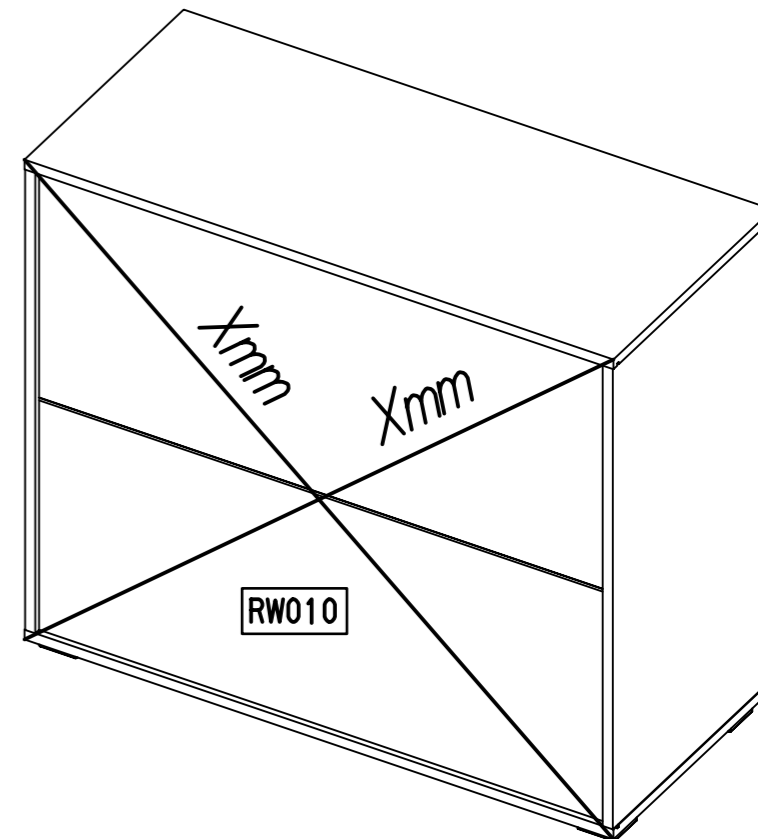
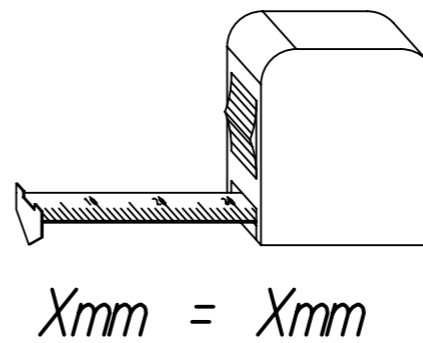
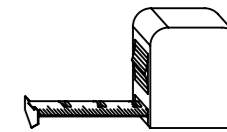
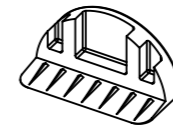


17



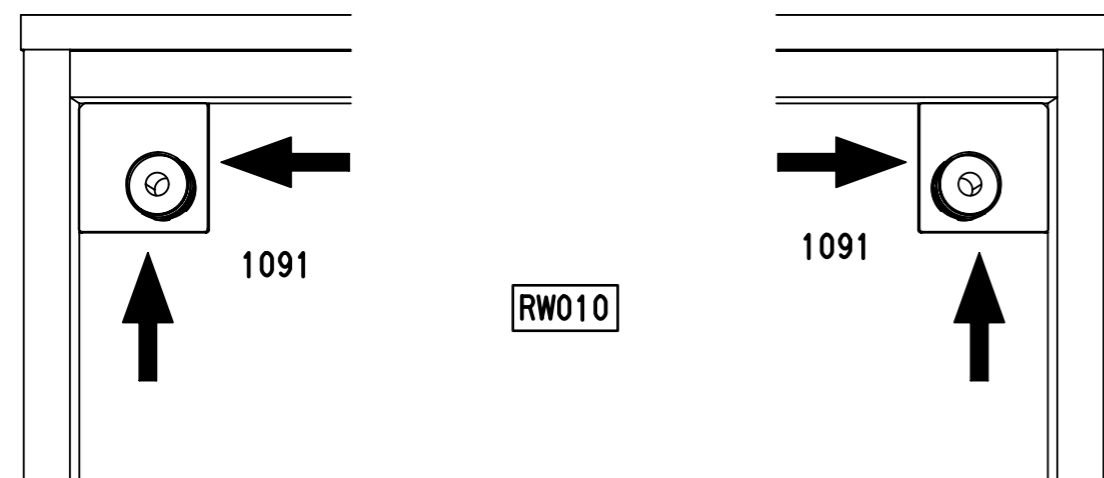
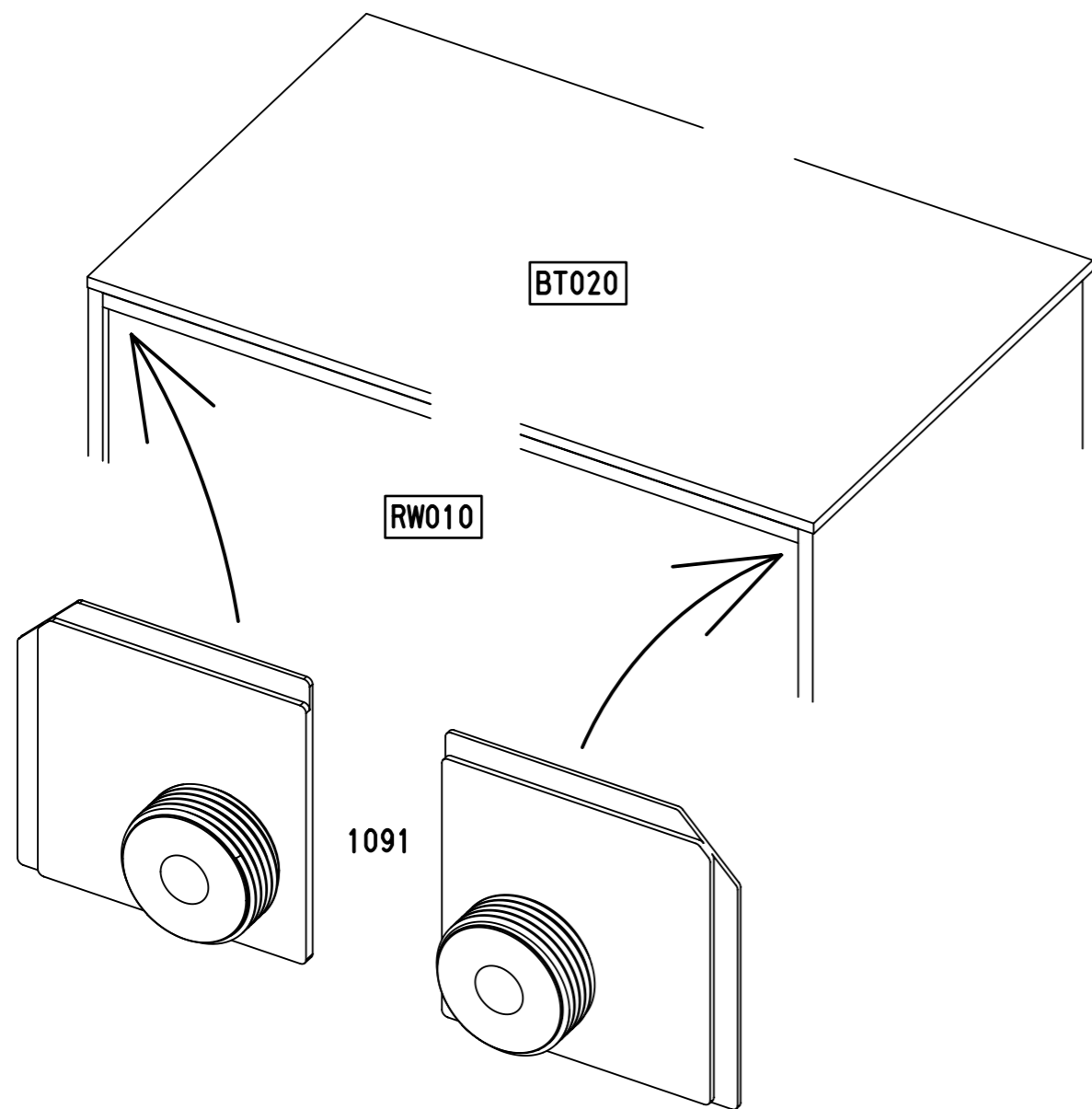
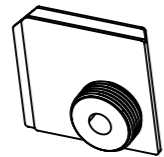
18

4x 1090



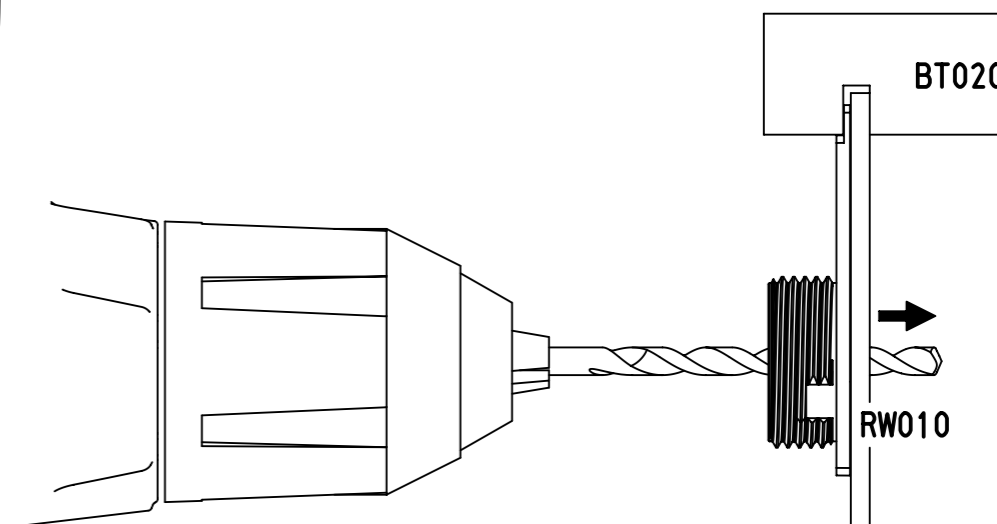
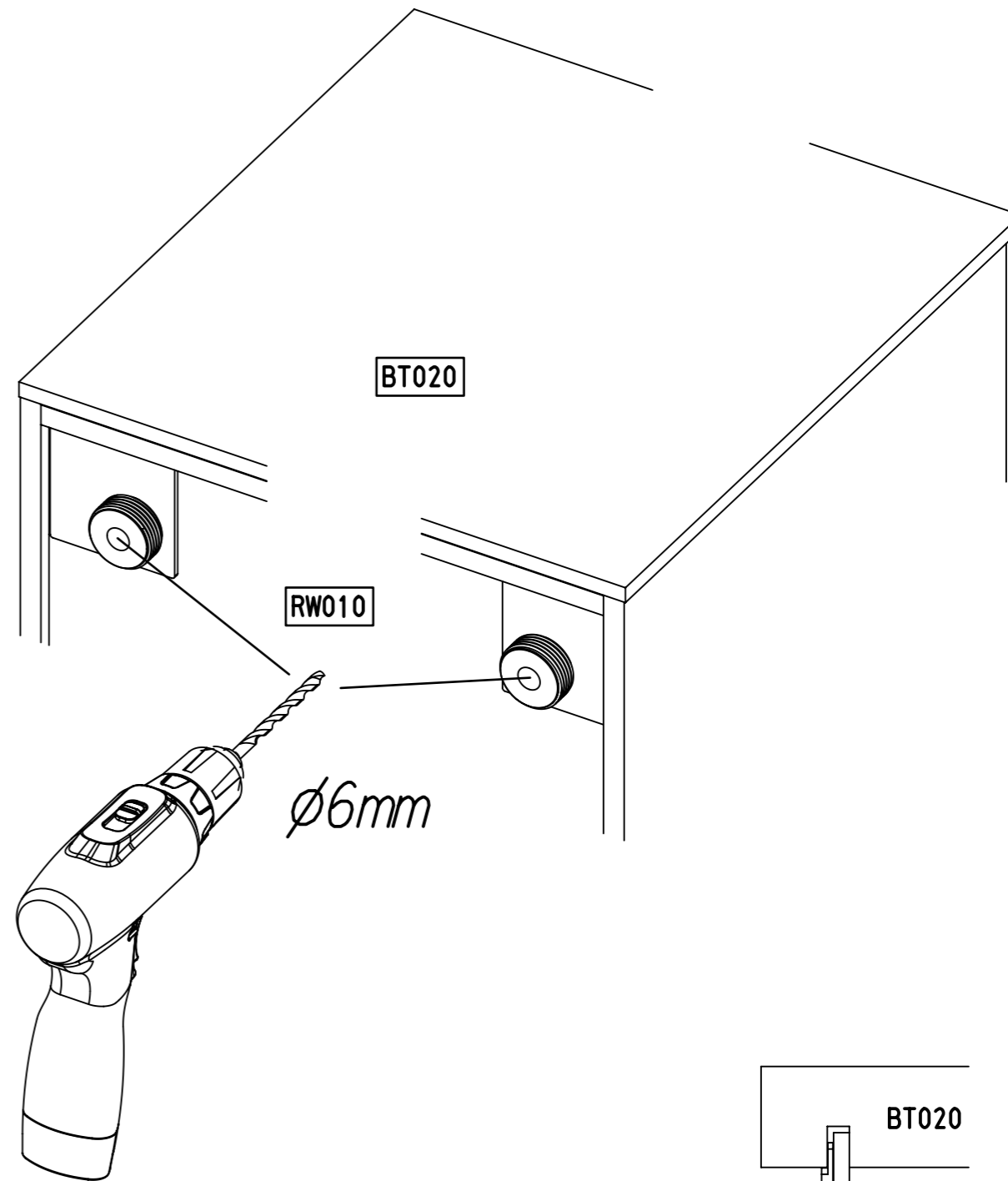
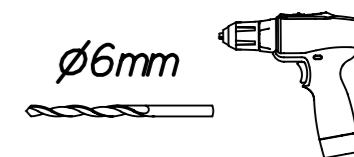
19

2x 1091



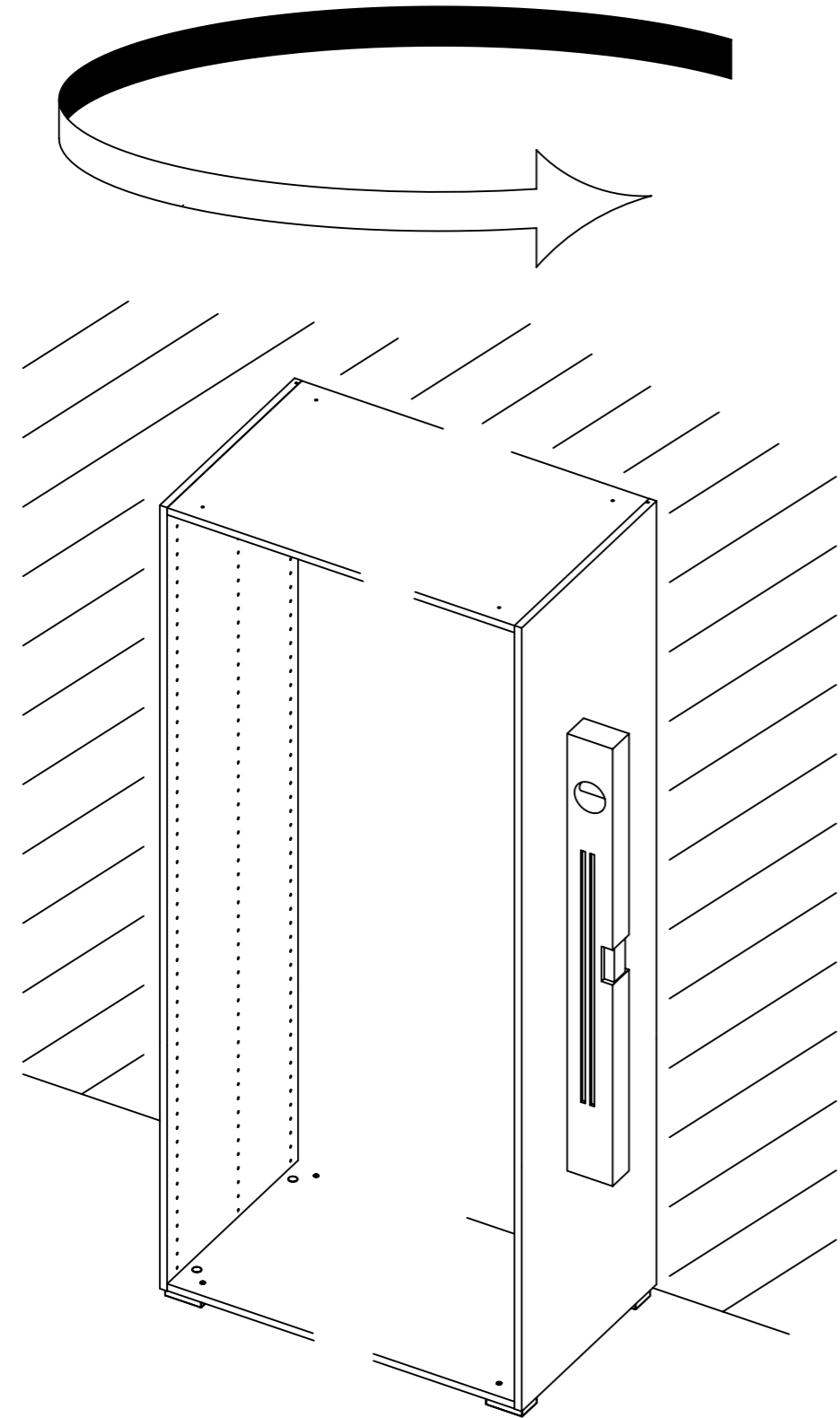
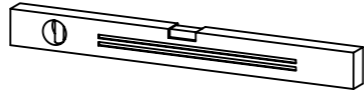
20

∅6mm



23.

21

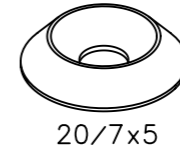


M2144

24.

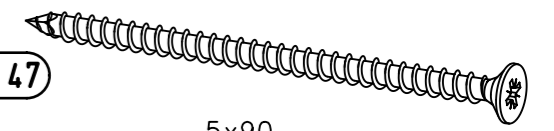
22

2x 1093

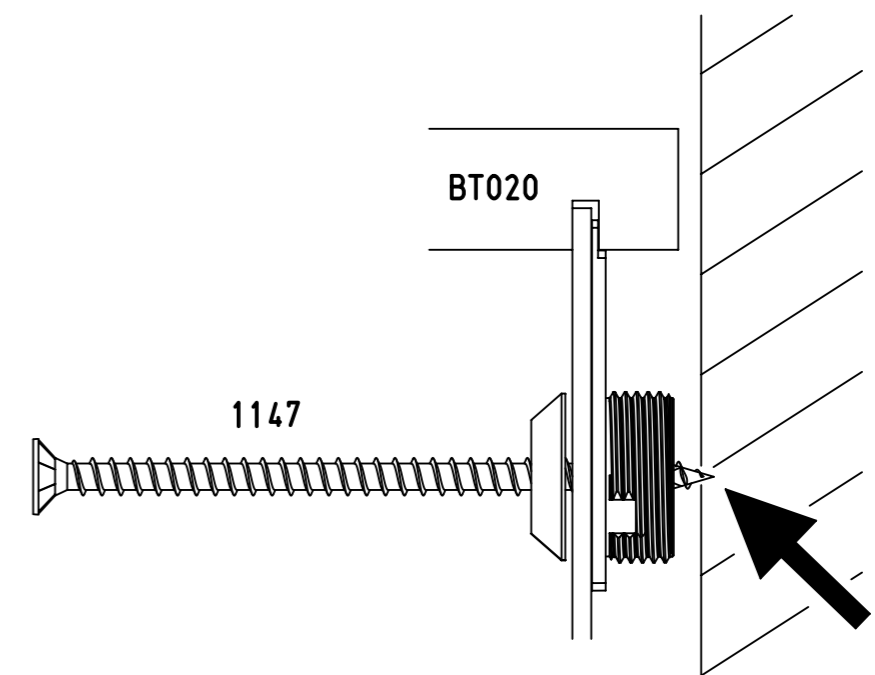
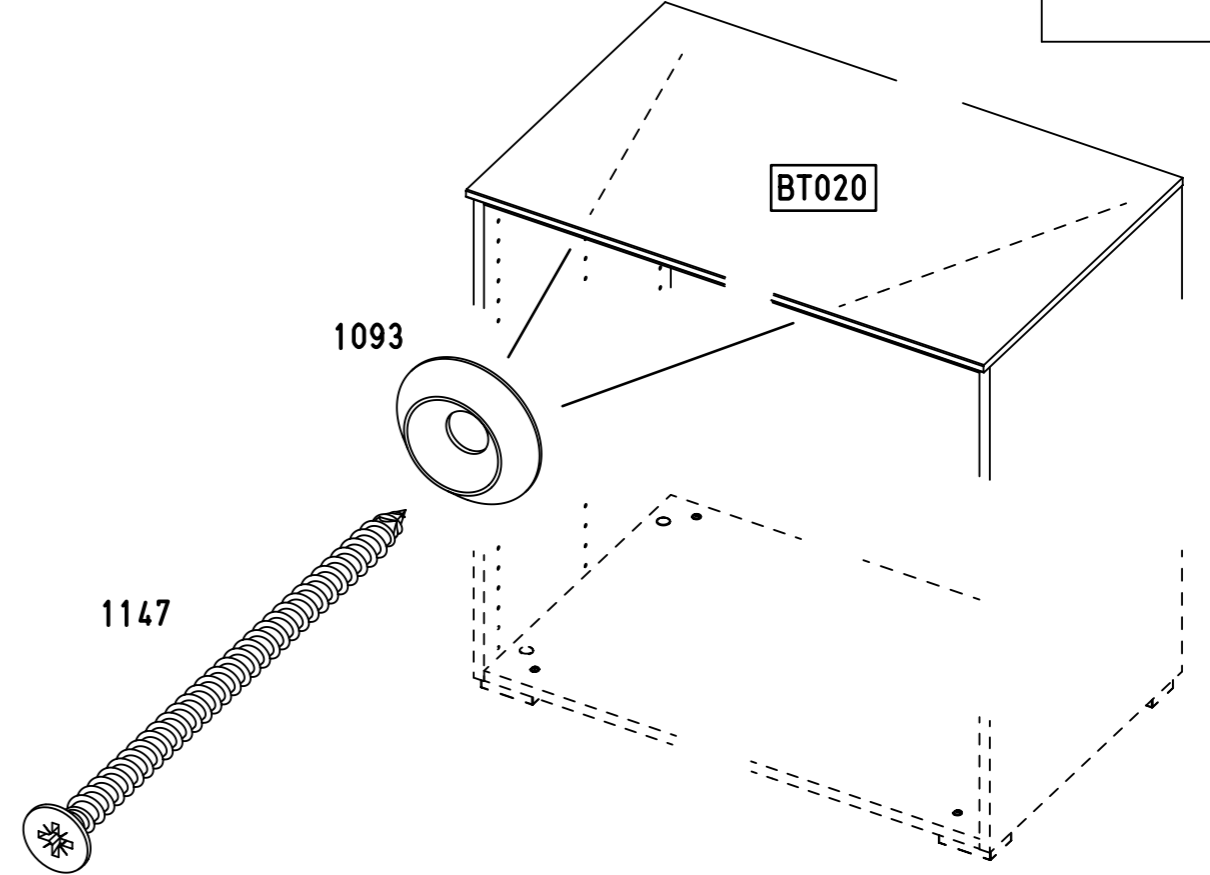
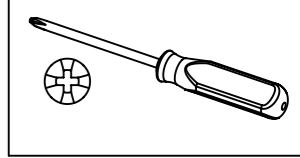


20/7x5

2x 1147

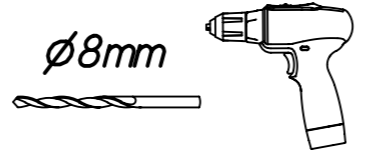


5x90

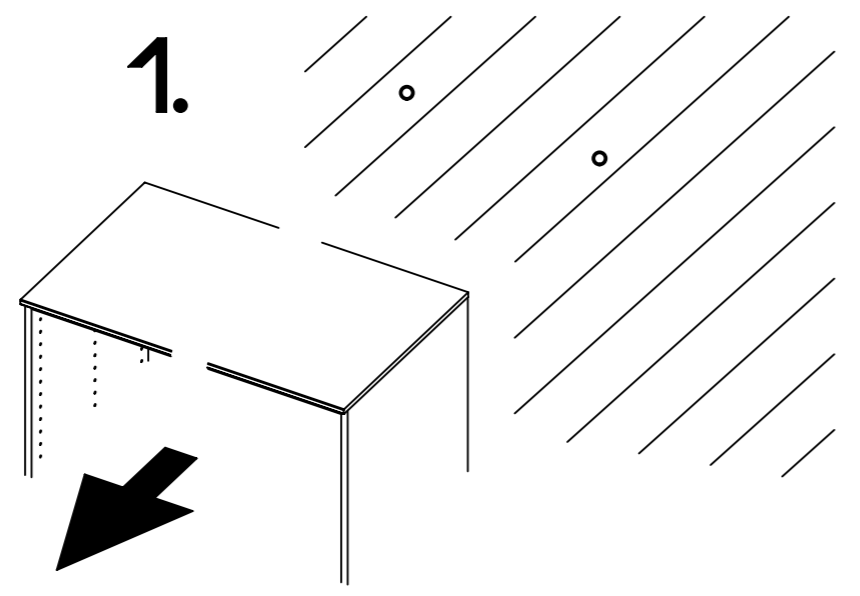


M2144

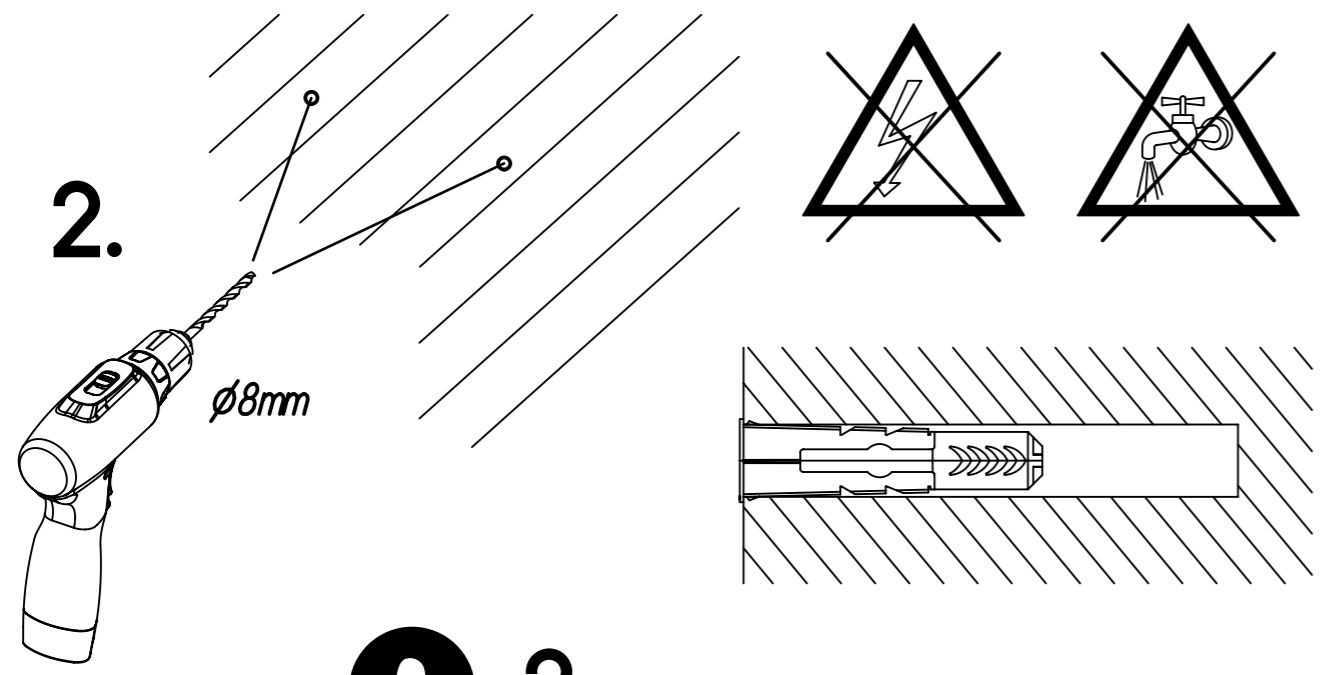
23



1.

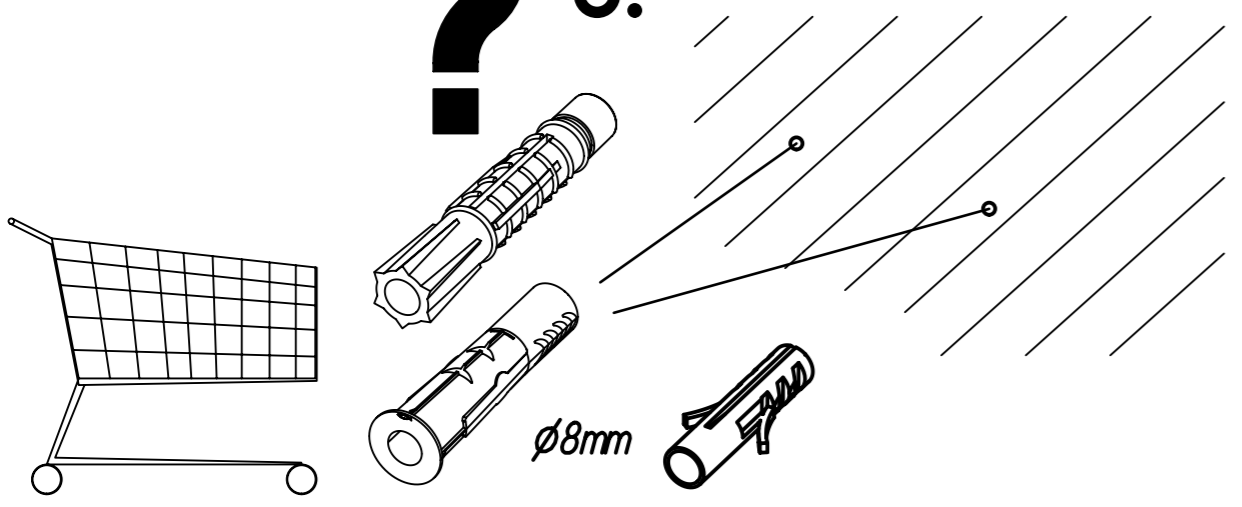


2.

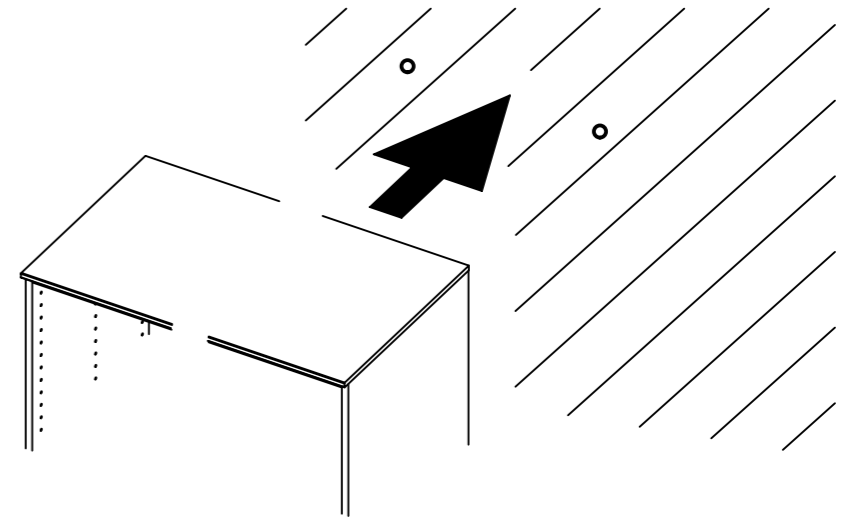
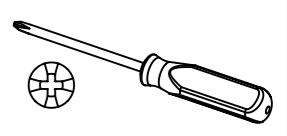


?

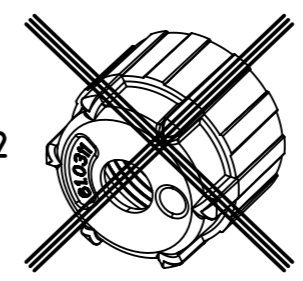
3.



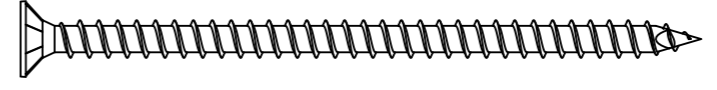
24



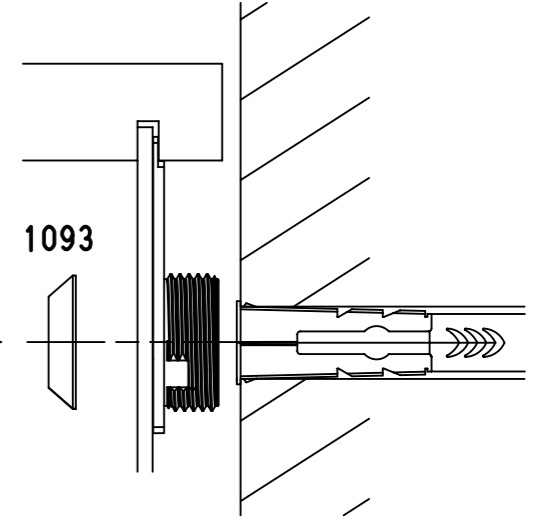
1092



1147



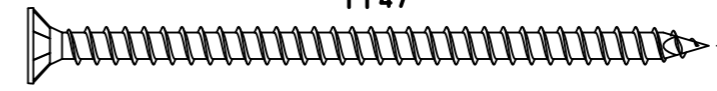
1093



10-15mm

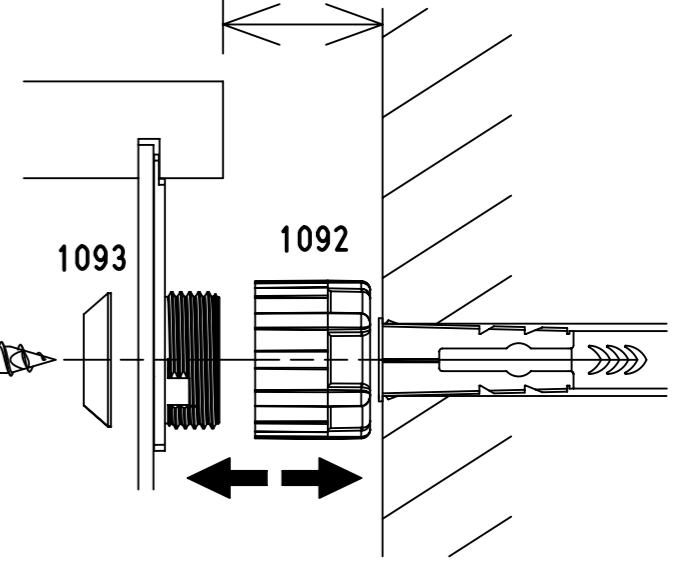


1147

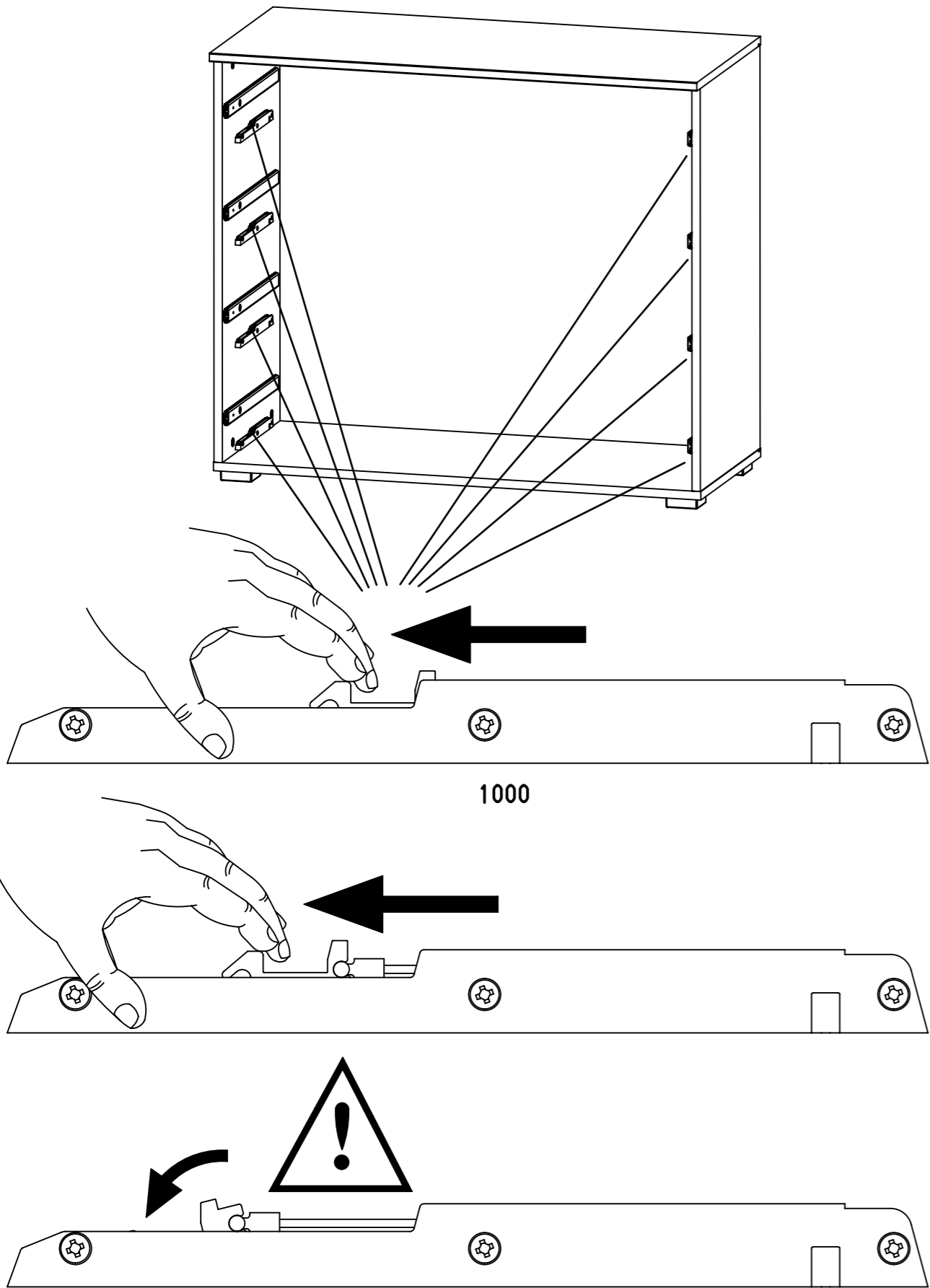


1093

1092

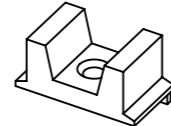


25

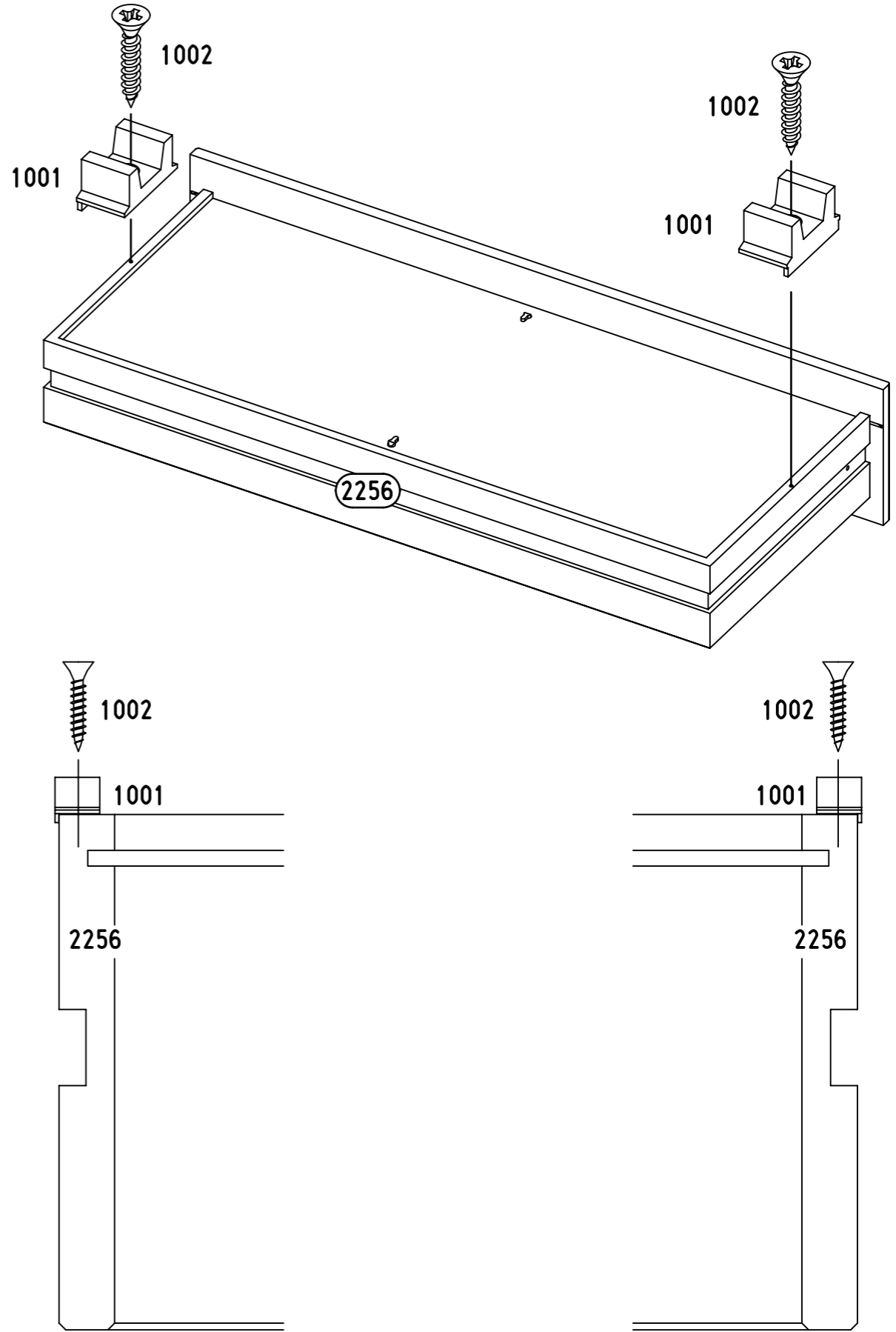
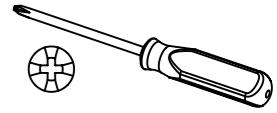
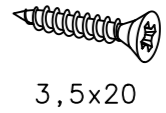


26

8x 1001



8x 1002



27

8x 568



M4x9

