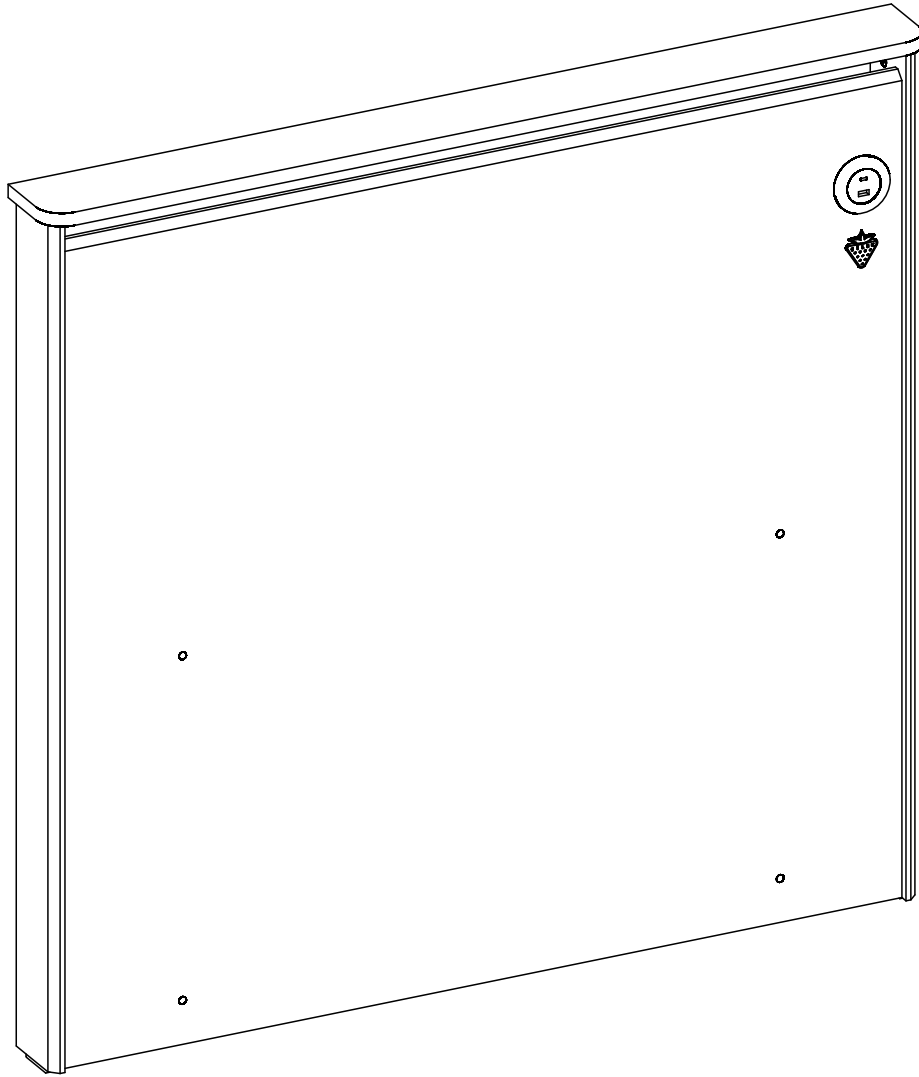


20.30.1313.00

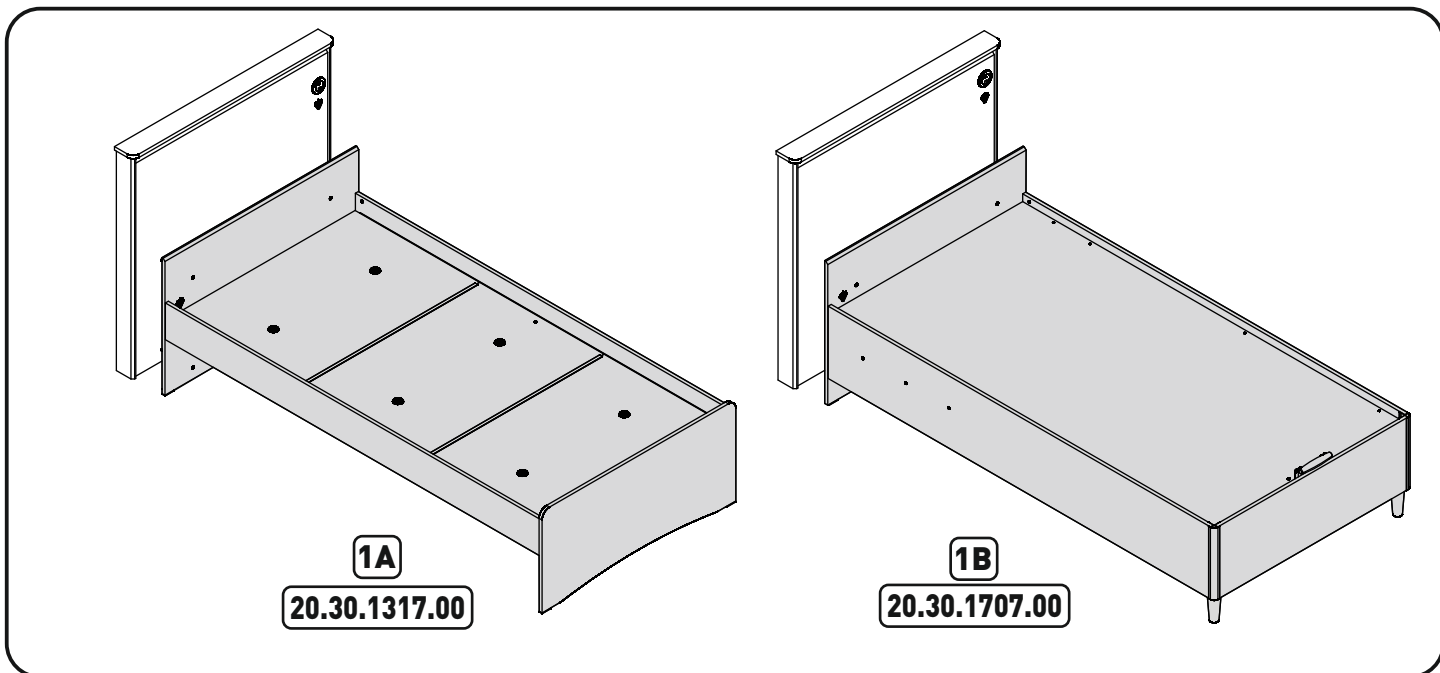
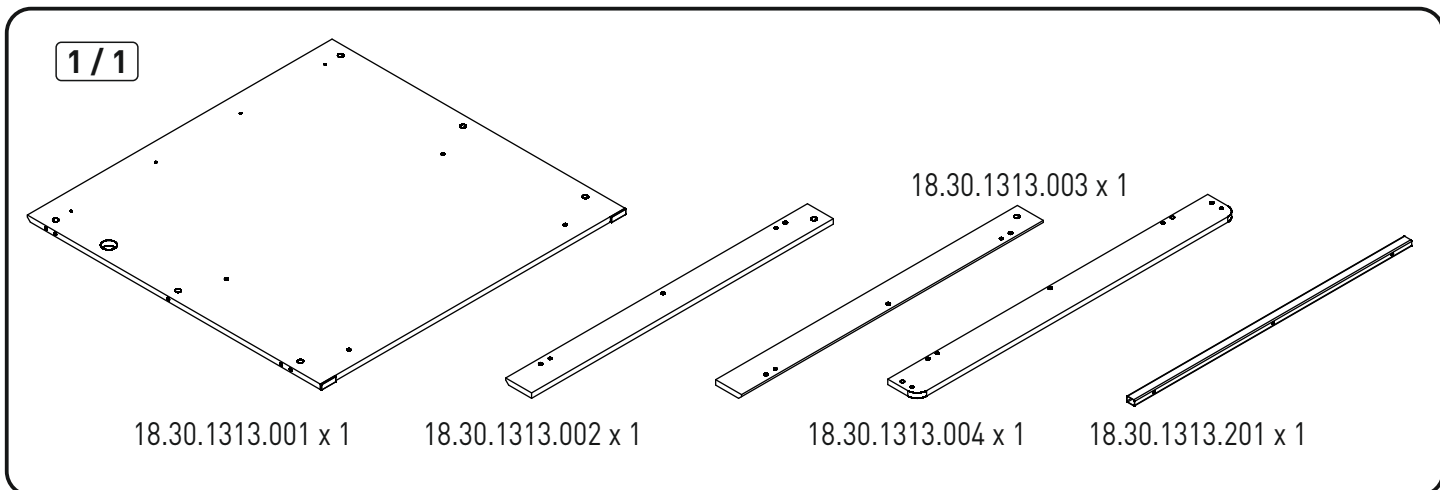
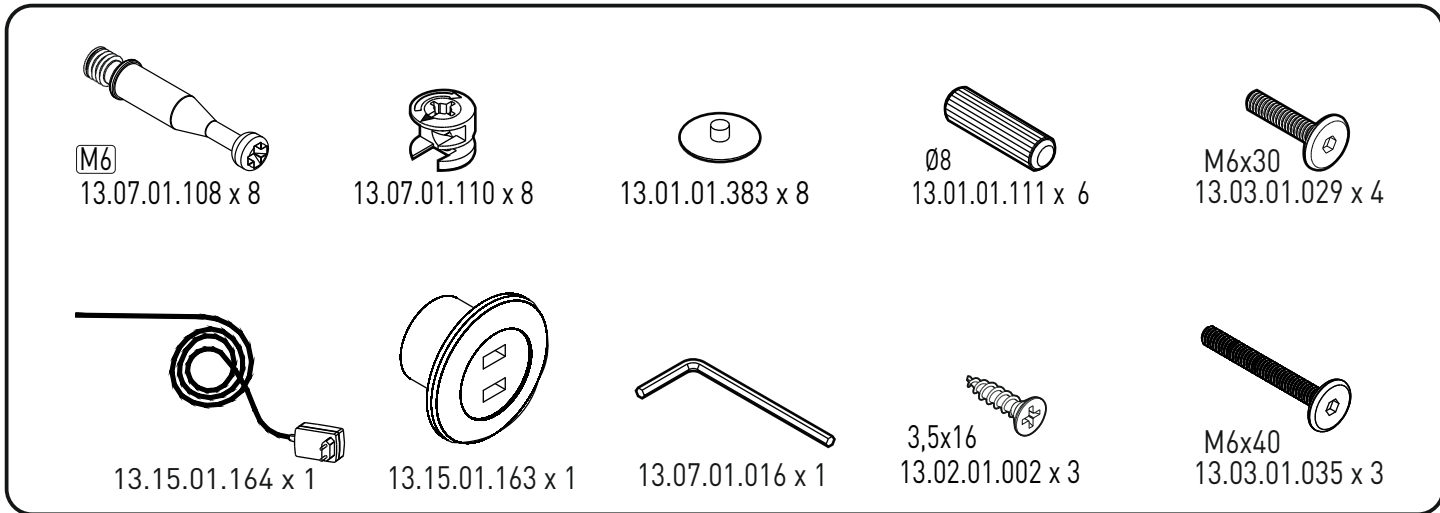
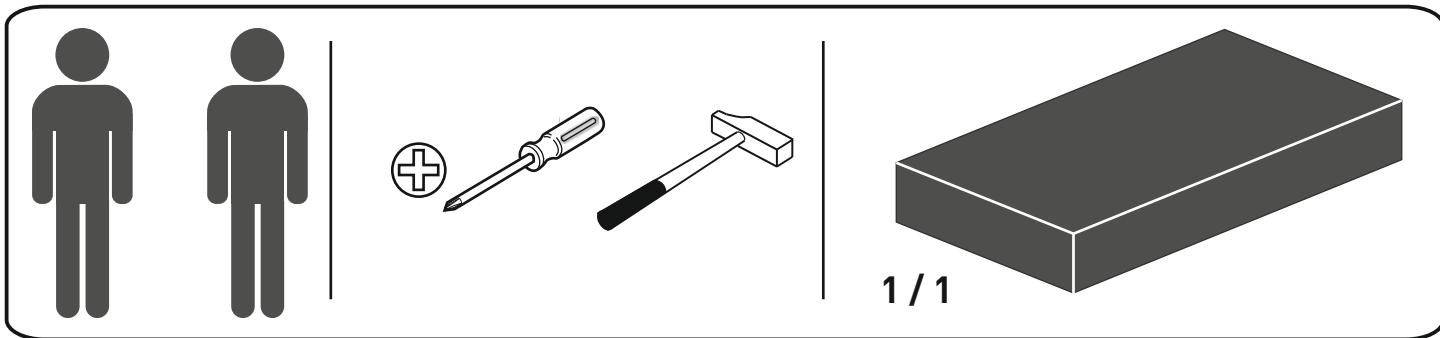


GARANTİ BELGESİ VE
KULLANMA KILAVUZU

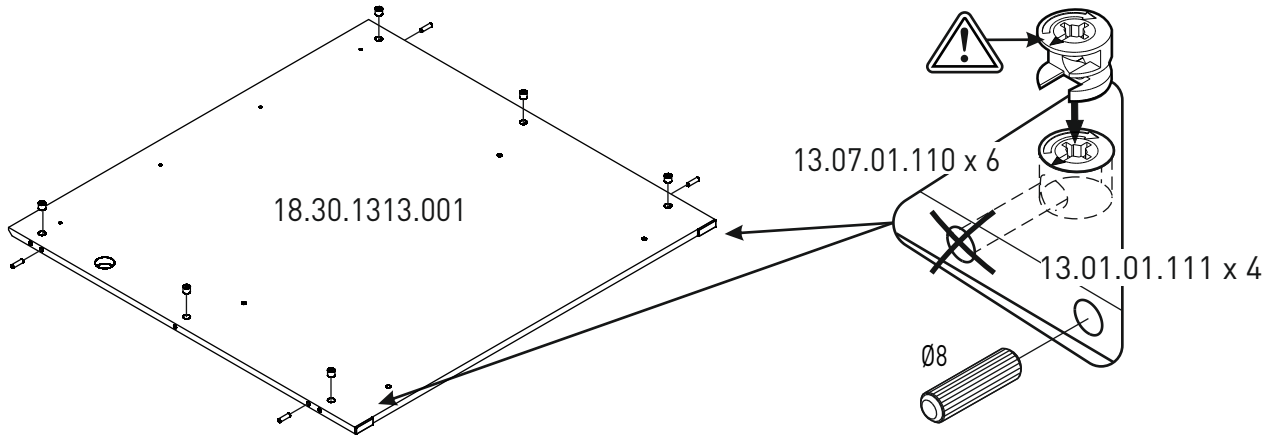


WARRANTY CERTIFICATE
AND USER MANUAL

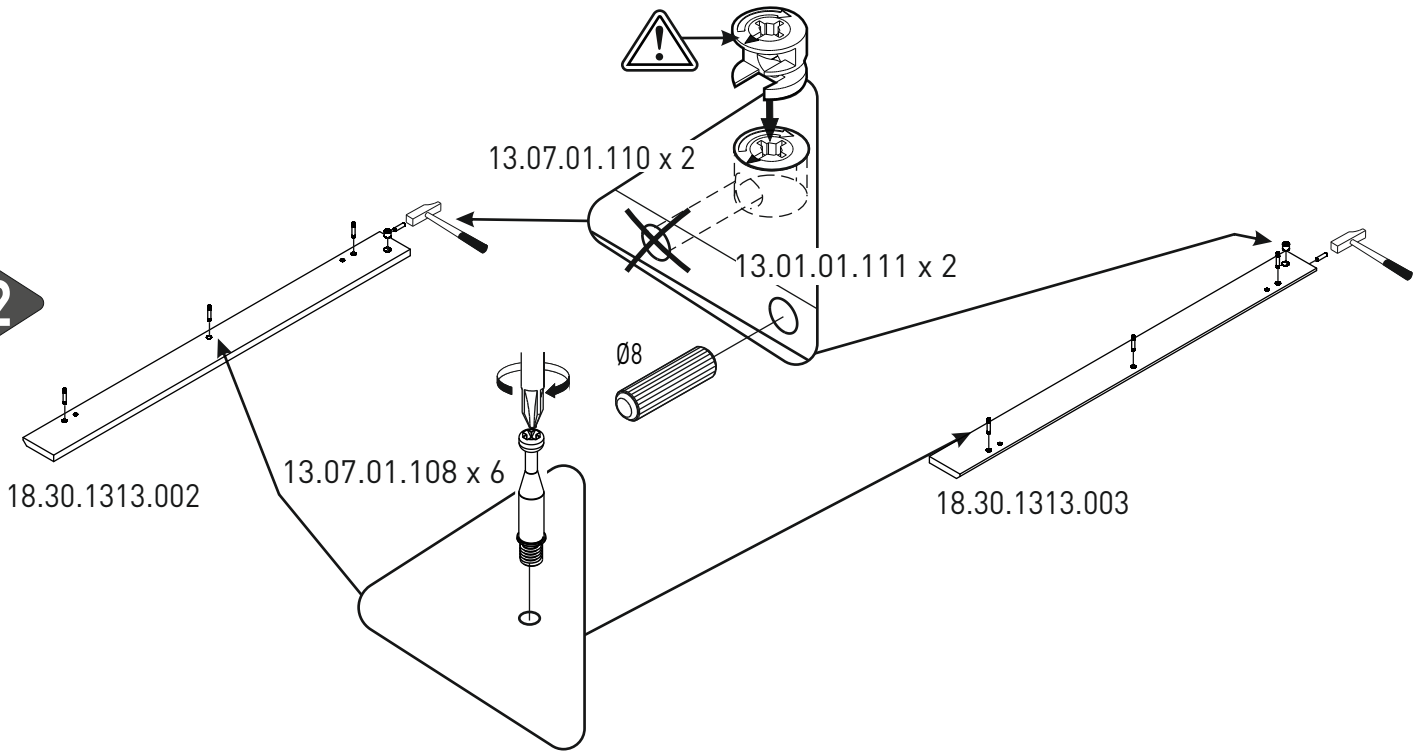




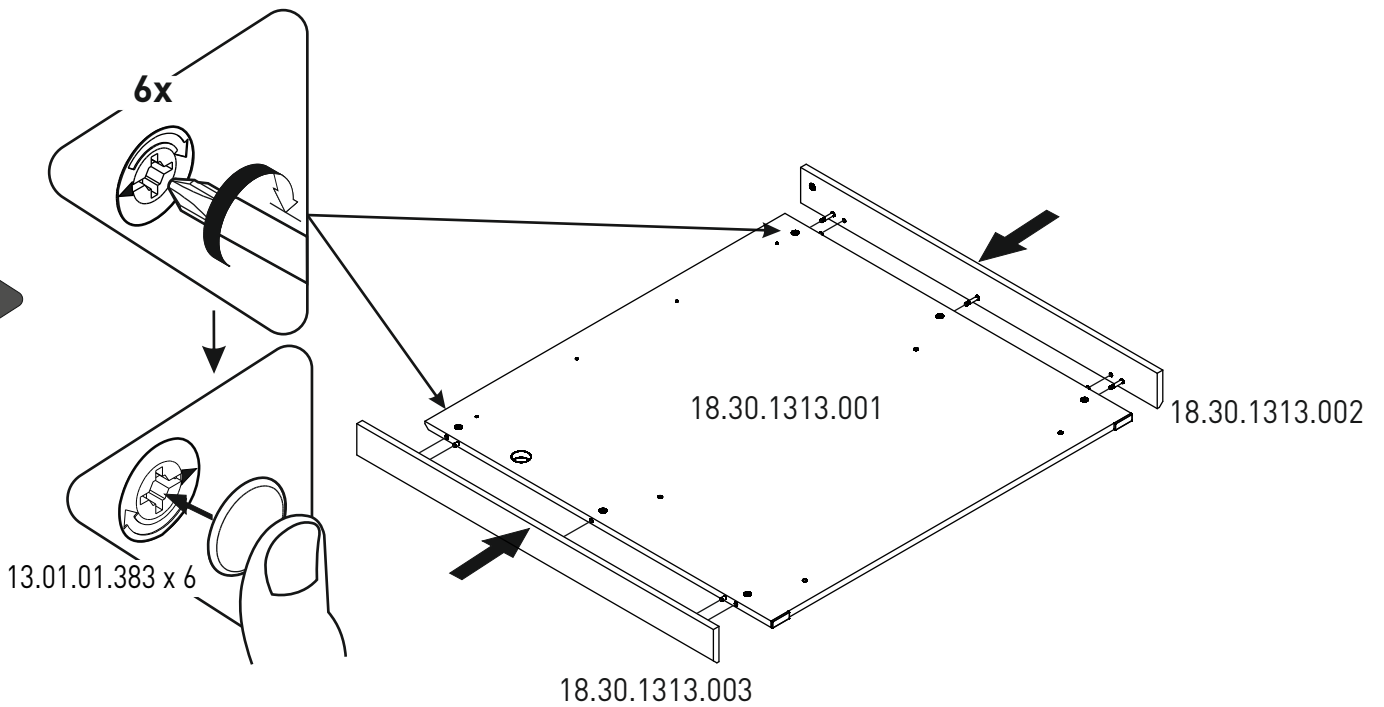
1



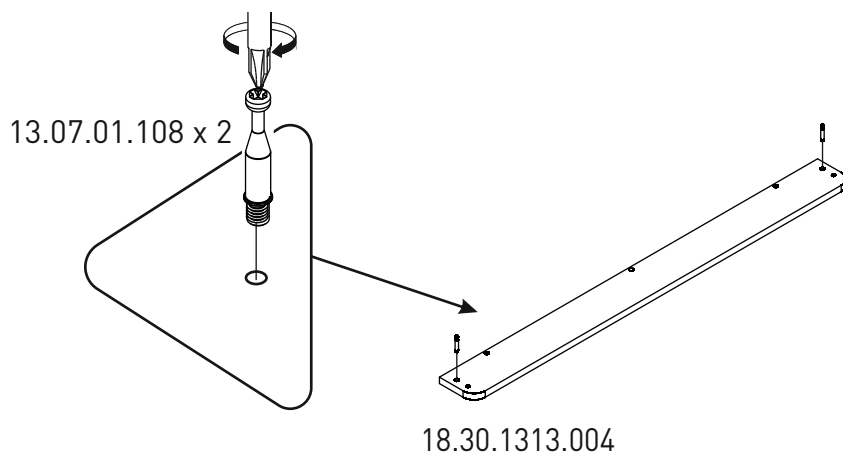
2



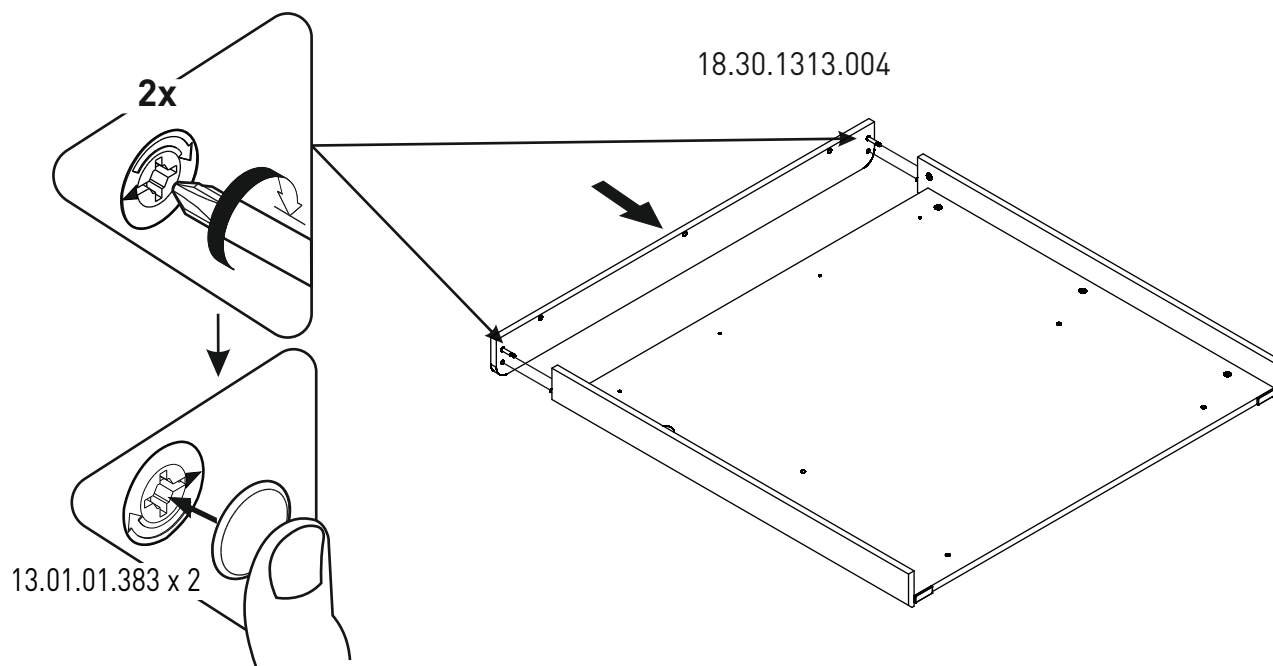
3



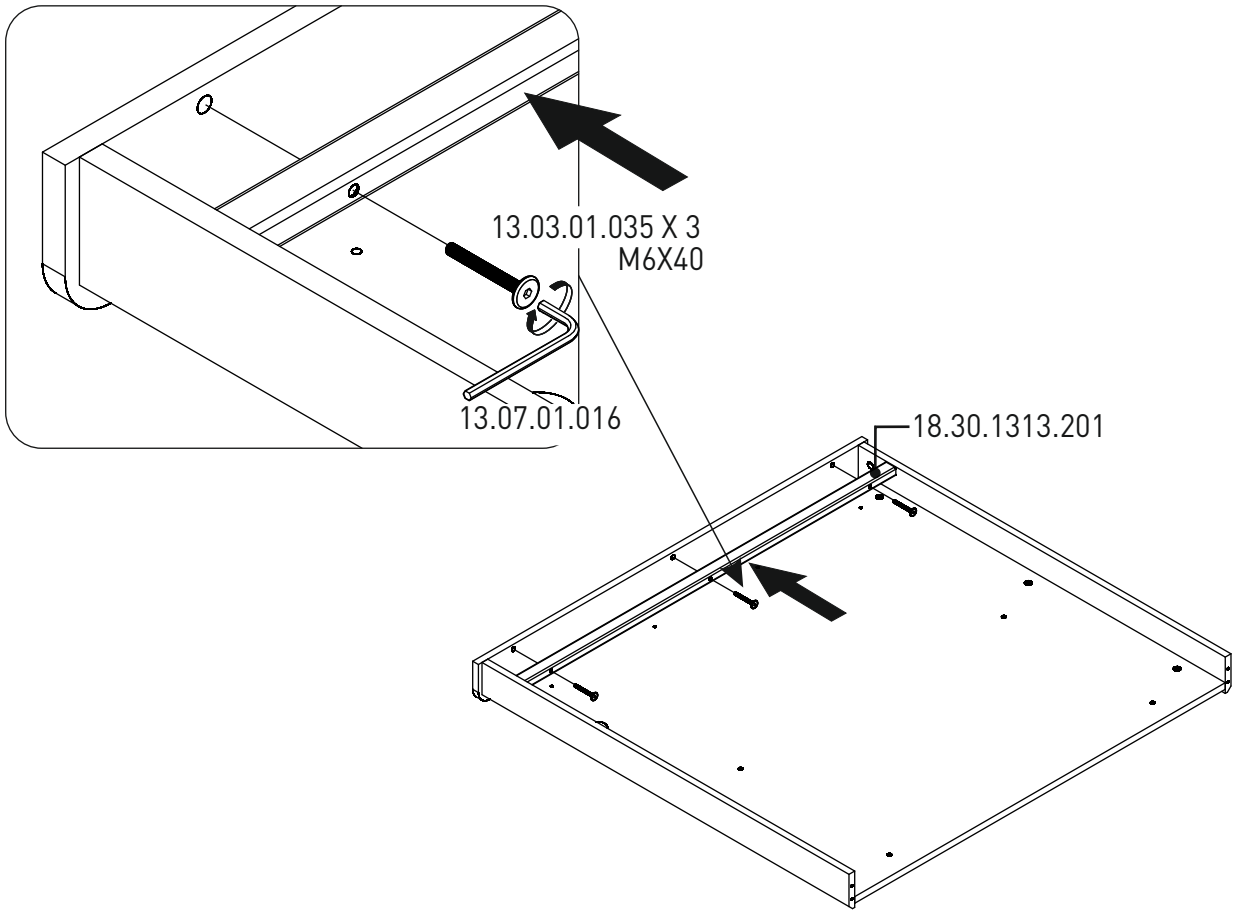
4



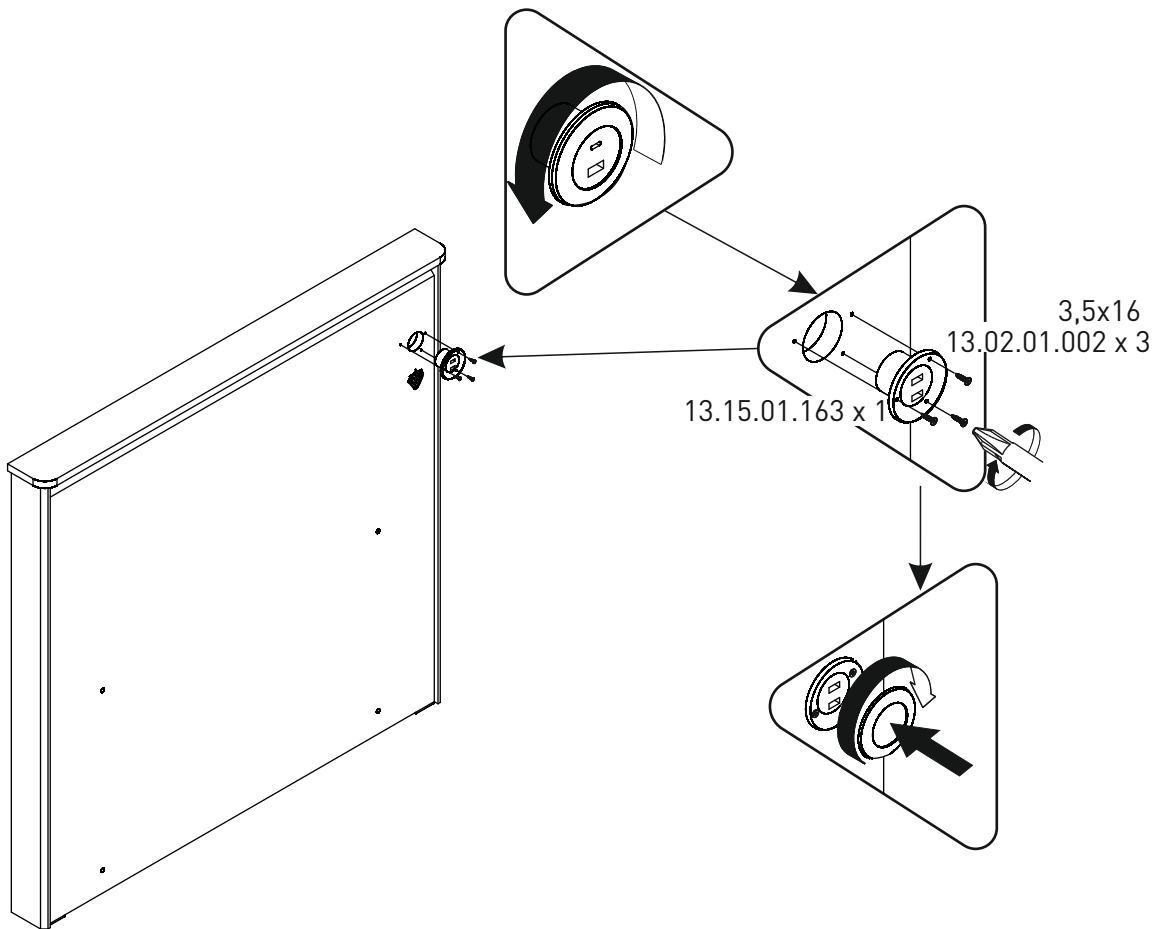
5



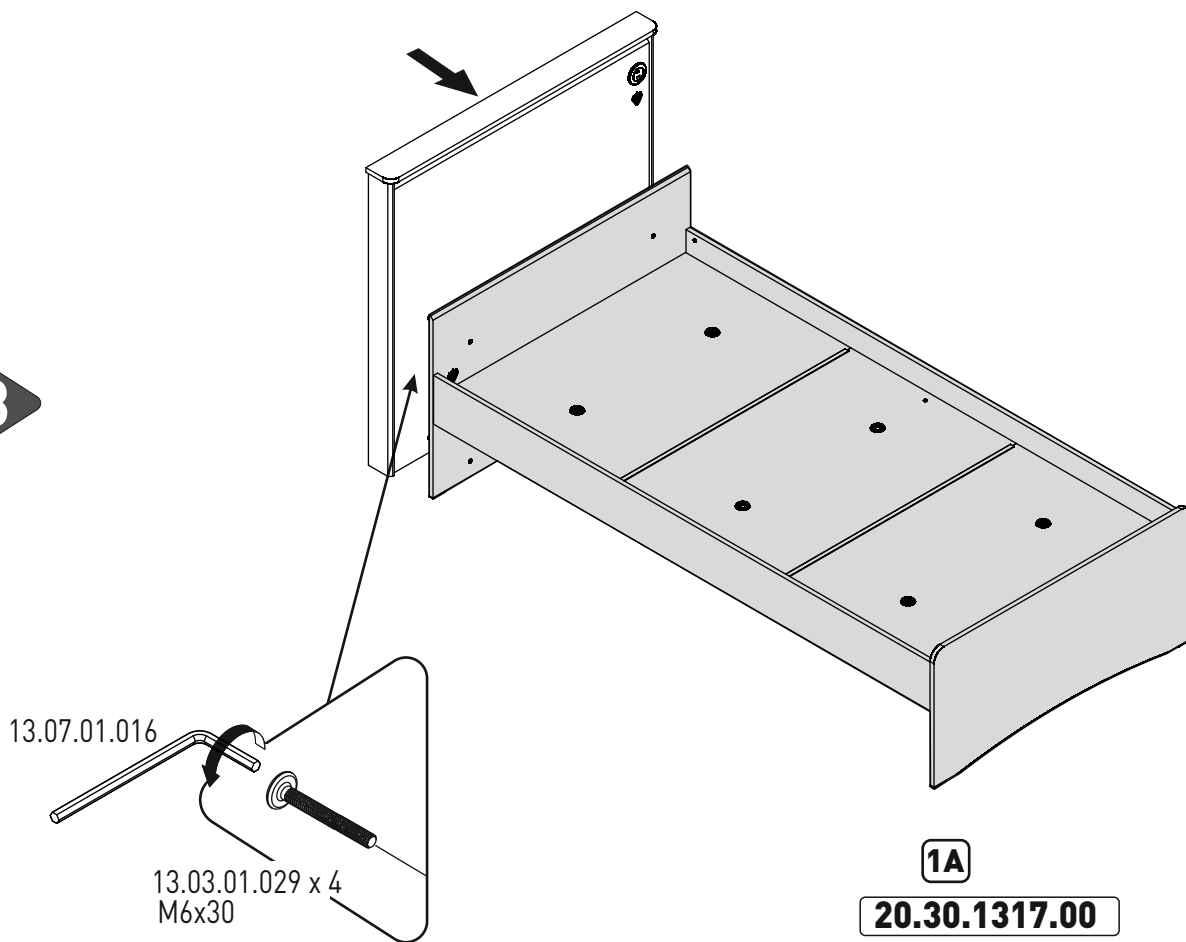
6



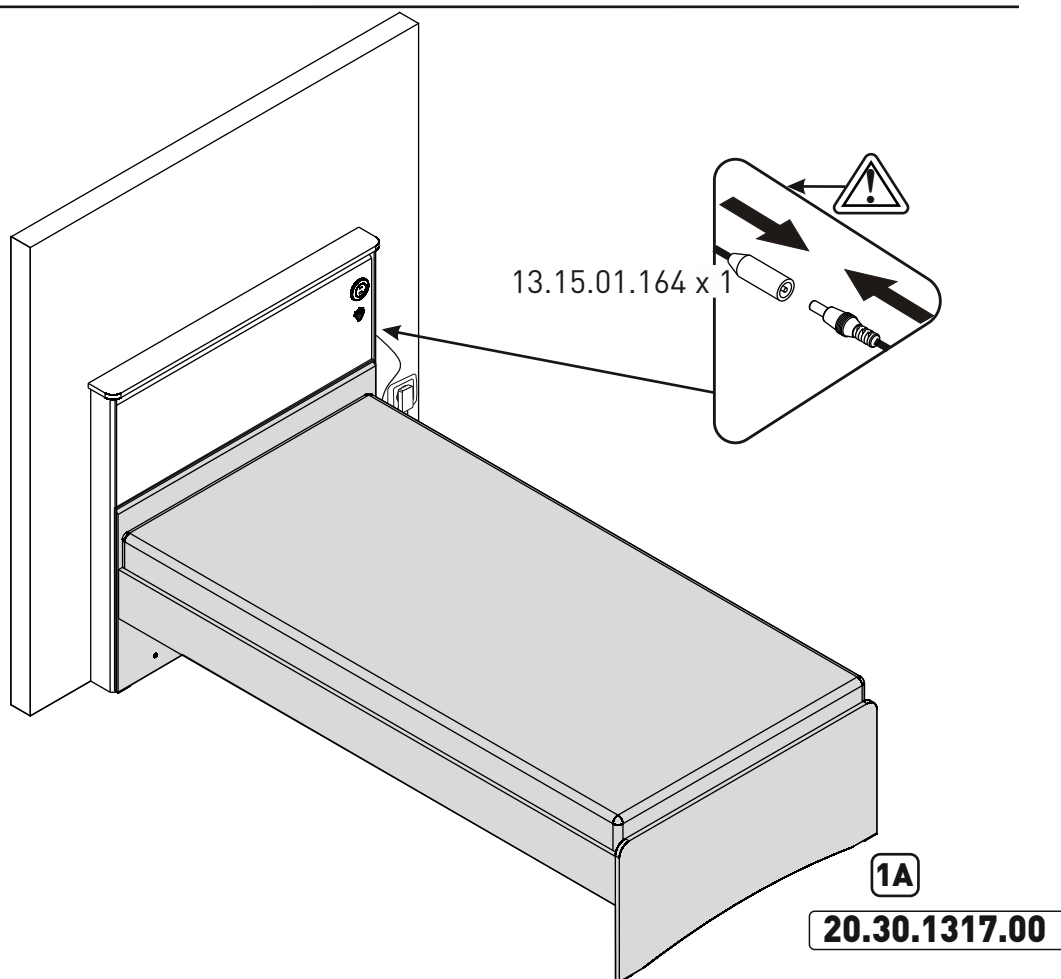
7



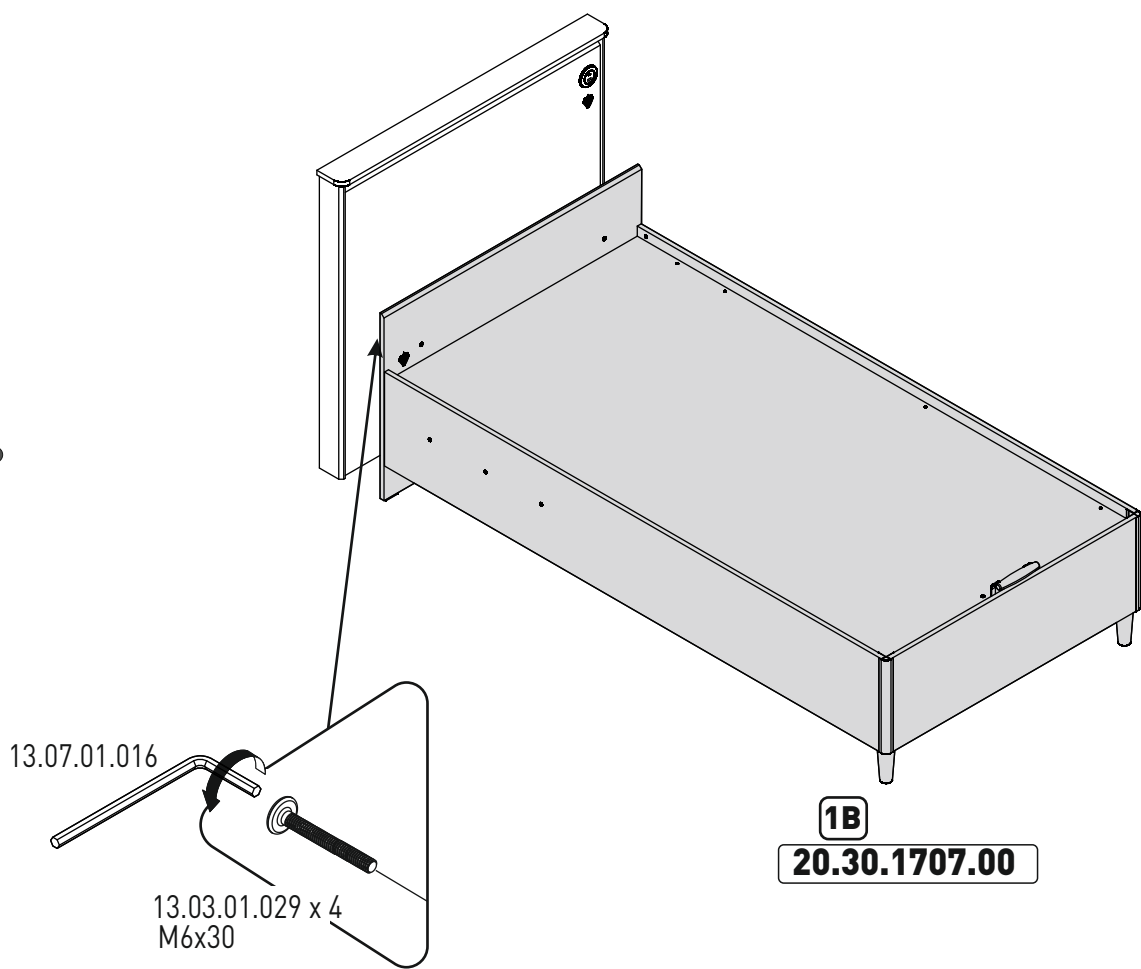
8



9



10



11

