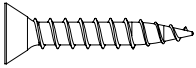
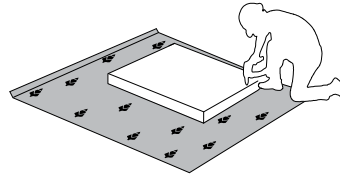
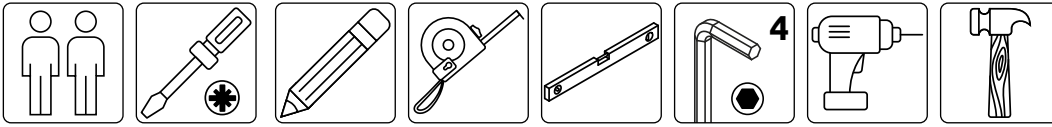


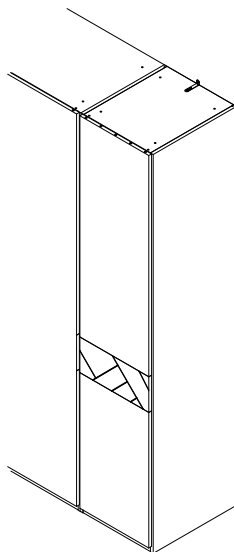


IMPORTANT - READ CAREFULLY - RETAIN FOR FUTURE REFERENCE
 WICHTIG - SORGFÄLTIG LESEN UND AUFBEWAHREN

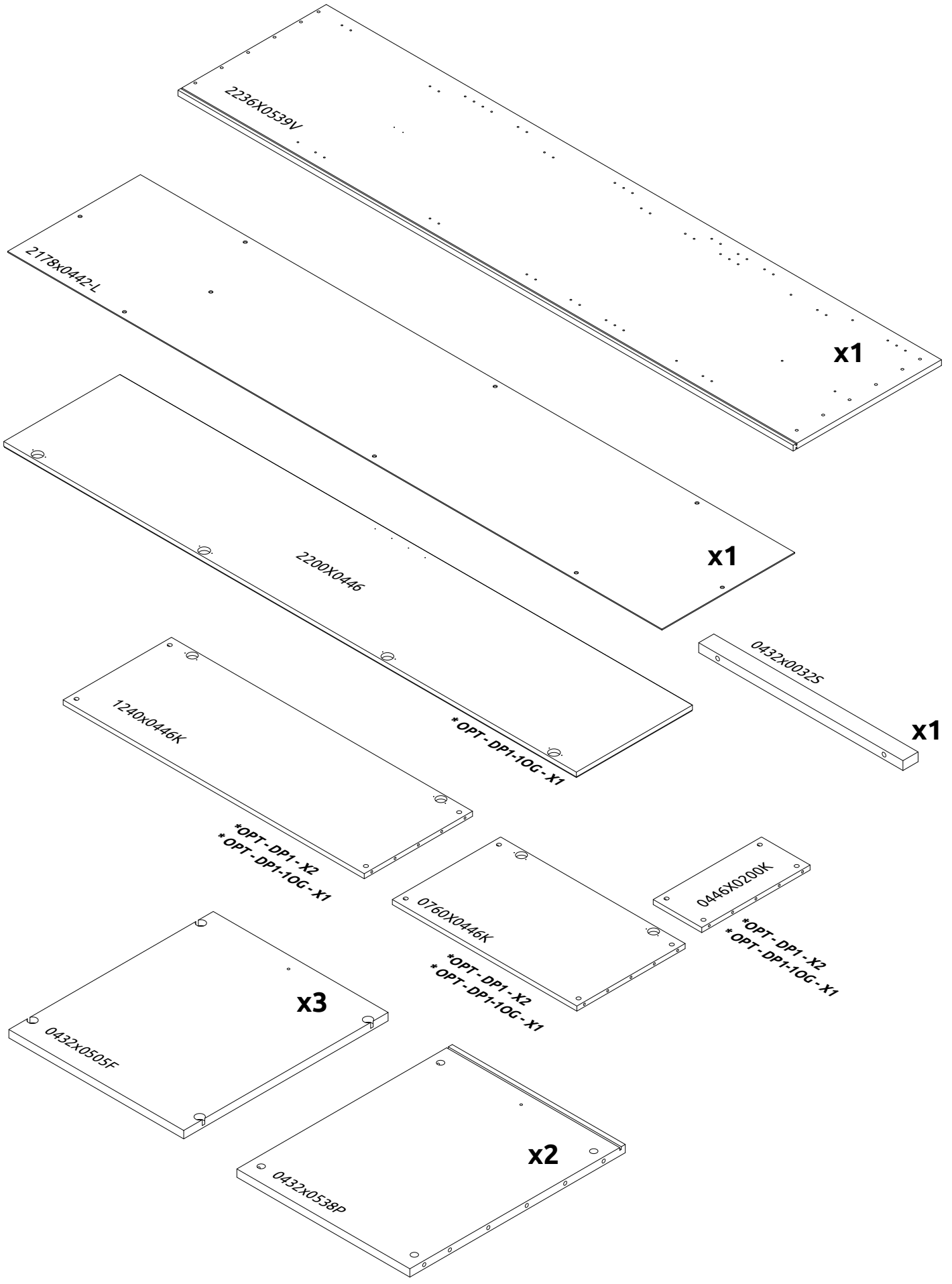


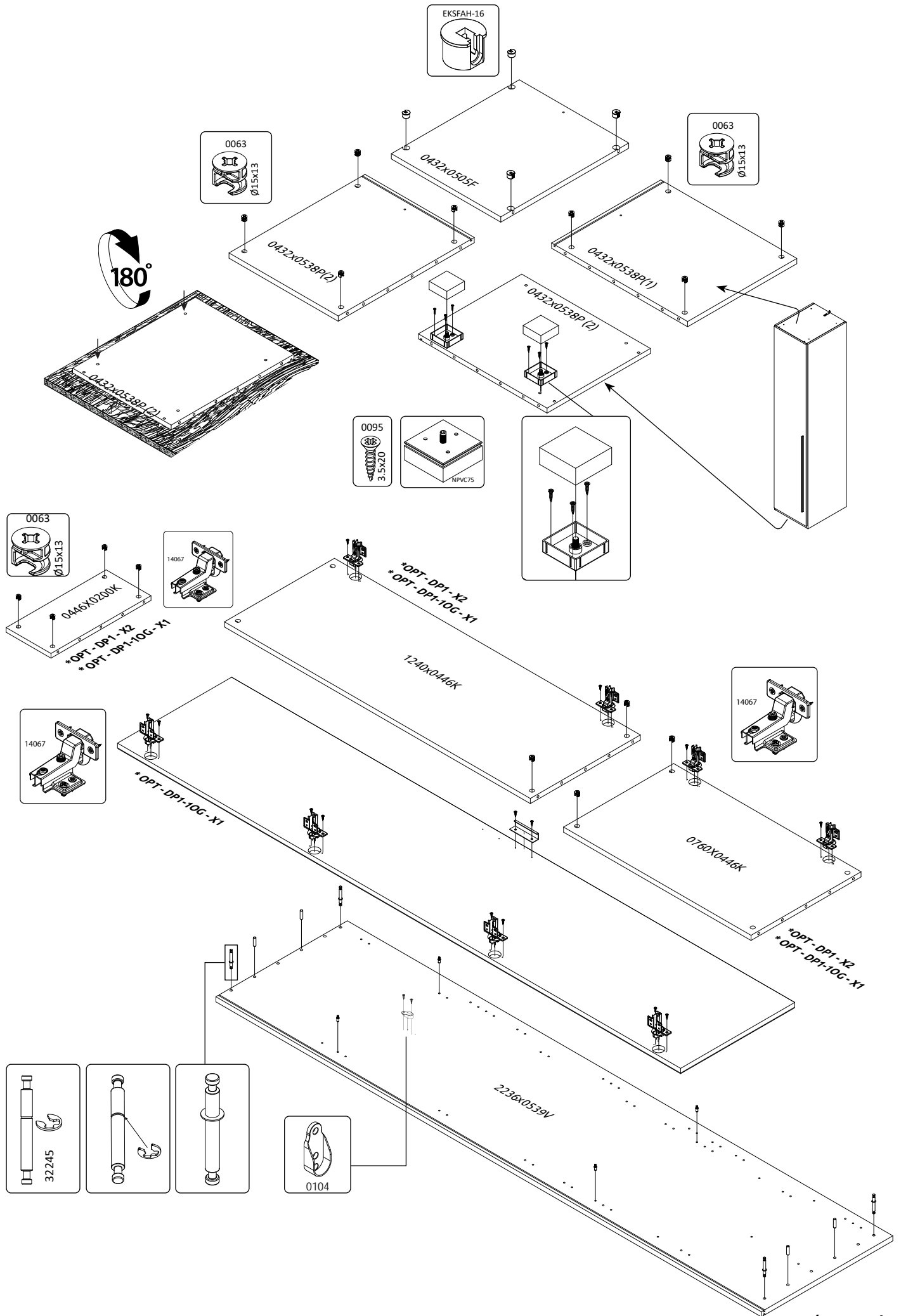
x9 2149 	x24 0094 3.5x16 	x2 0096 4x18 	x12 16535 	x16 0122 	x16 0063 Ø15x13 	x2 32256 V4x23 	x8 EKSK4 	x1 6319 	x4 CEP15 	x4 32245 	x1 0113 GLUE 	x10 CEP8 	x4 5547 	x4 CEP8-TE 								
x9 41439 	x2 0104 	x1 1321 	x1 10397 	x4 14067 	x2 NPVC75 	x12 EKSAH-18 	x8 EKSK4-TEX 															
x1 L/2200 54017 	<table border="1"> <tr> <td>x1 52531 </td> <td>x2 0094 3.5x16 </td> <td>x4 5547 </td> <td>x8 0063 Ø15x13 </td> <td>x10 CEP8-BE </td> <td>x8 EKSK4-BE </td> <td>x6 0122 </td> <td>x4 CEP15 </td> </tr> </table>														x1 52531 	x2 0094 3.5x16 	x4 5547 	x8 0063 Ø15x13 	x10 CEP8-BE 	x8 EKSK4-BE 	x6 0122 	x4 CEP15
x1 52531 	x2 0094 3.5x16 	x4 5547 	x8 0063 Ø15x13 	x10 CEP8-BE 	x8 EKSK4-BE 	x6 0122 	x4 CEP15 															

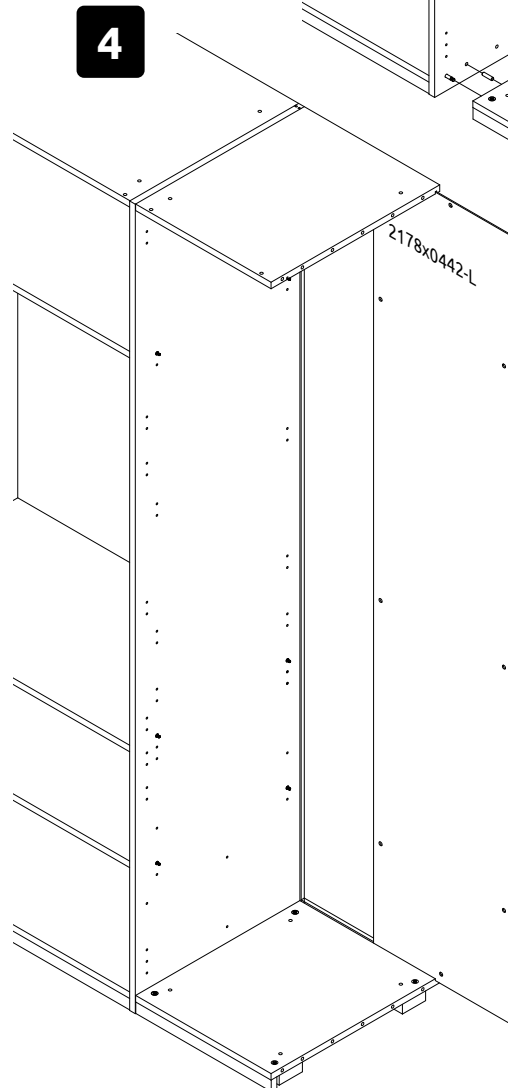
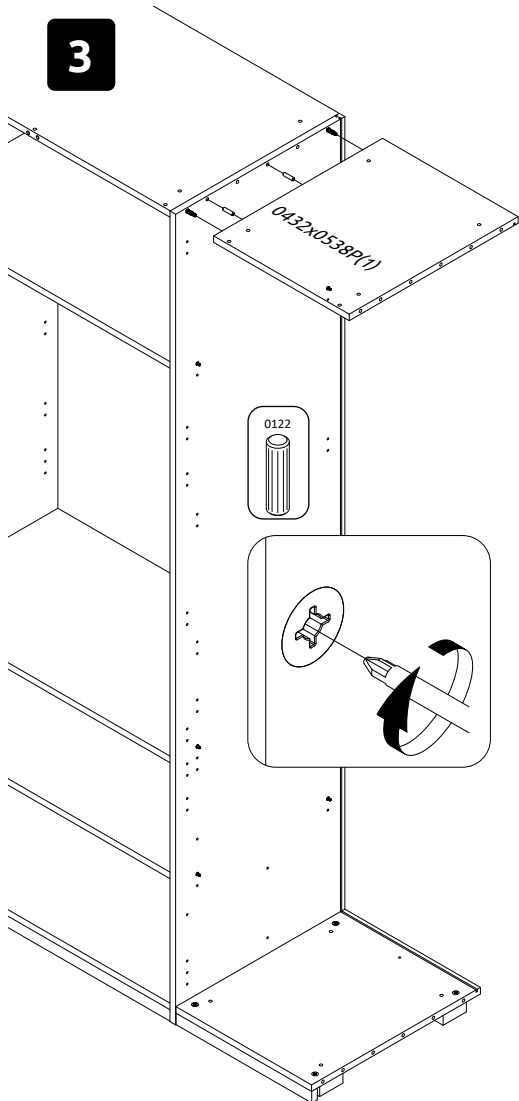
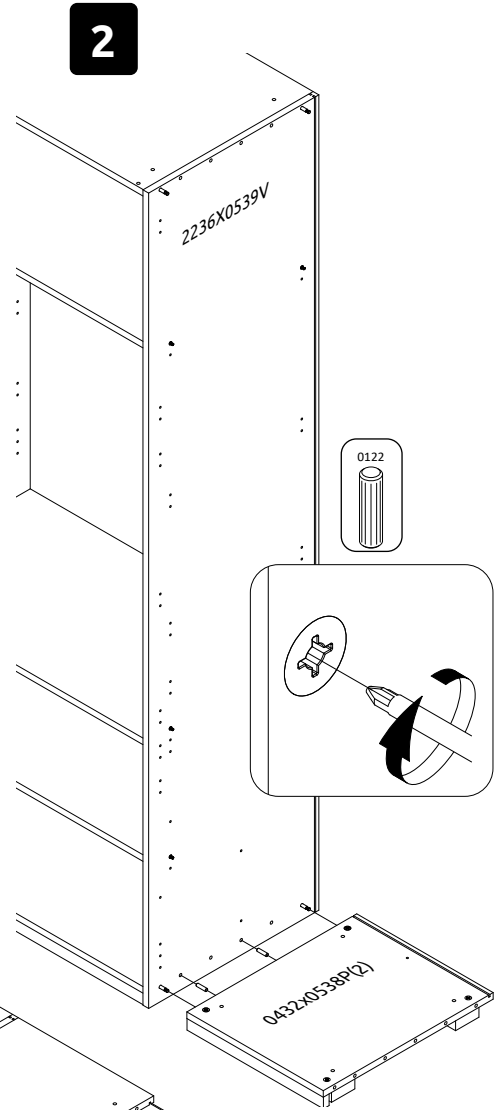
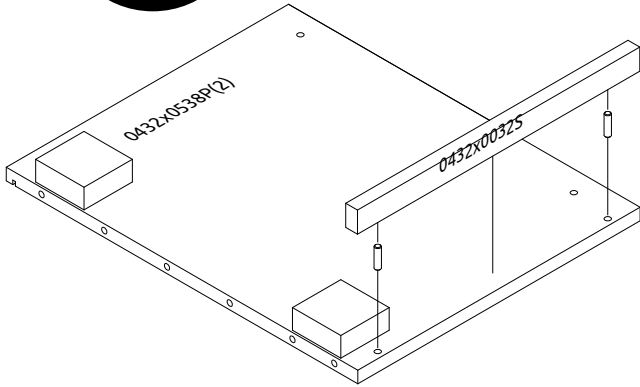
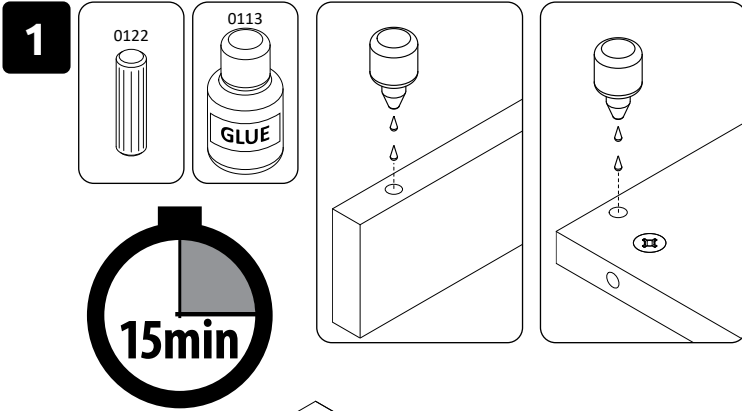
*OPT DP1-10G



DP1/AV
LWH - 450x555x2236



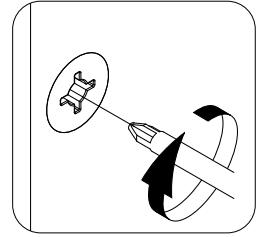
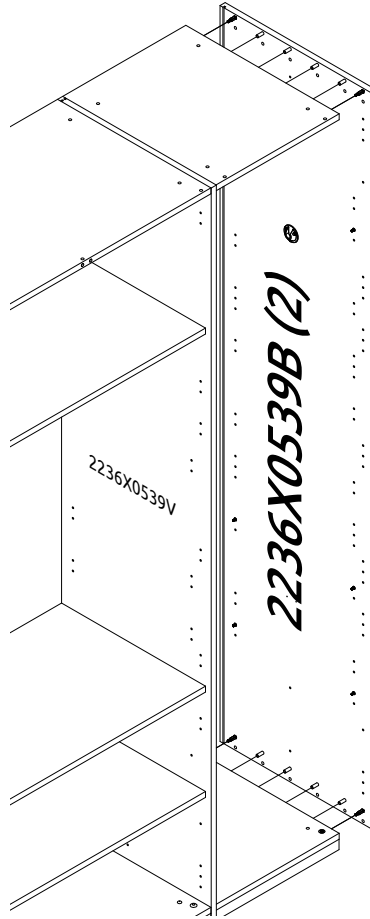
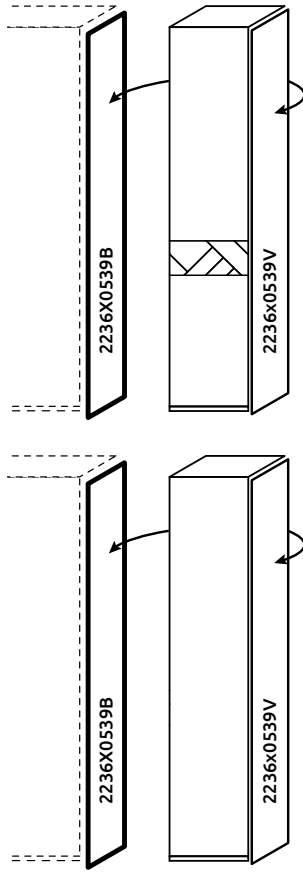




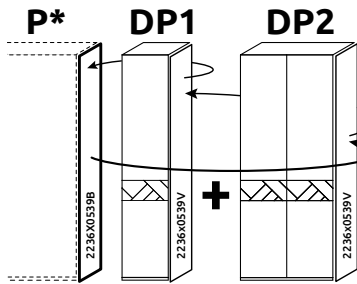
5



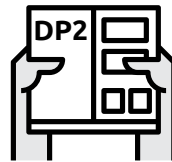
opt 1



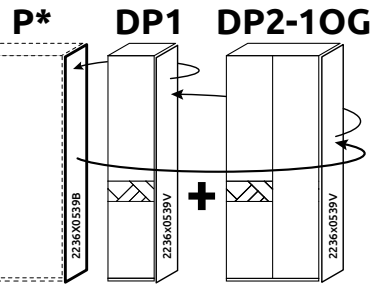
opt 2



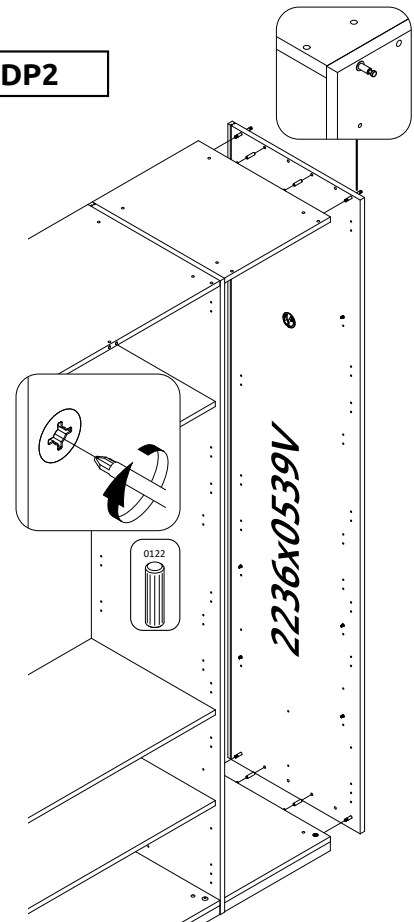
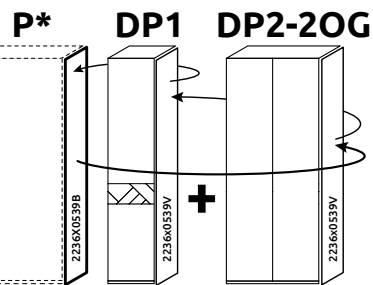
P* = P1 / P2 / DP2

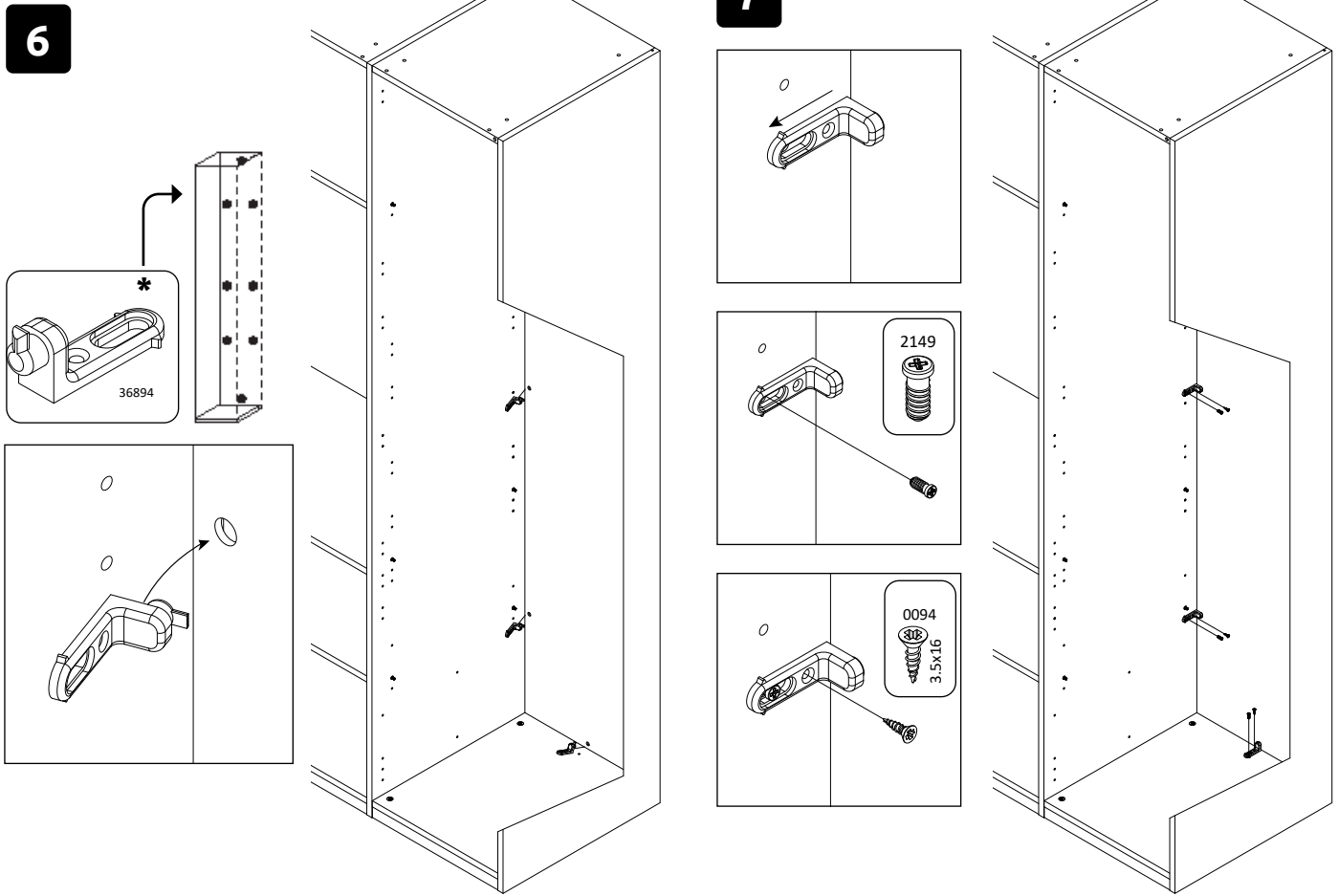
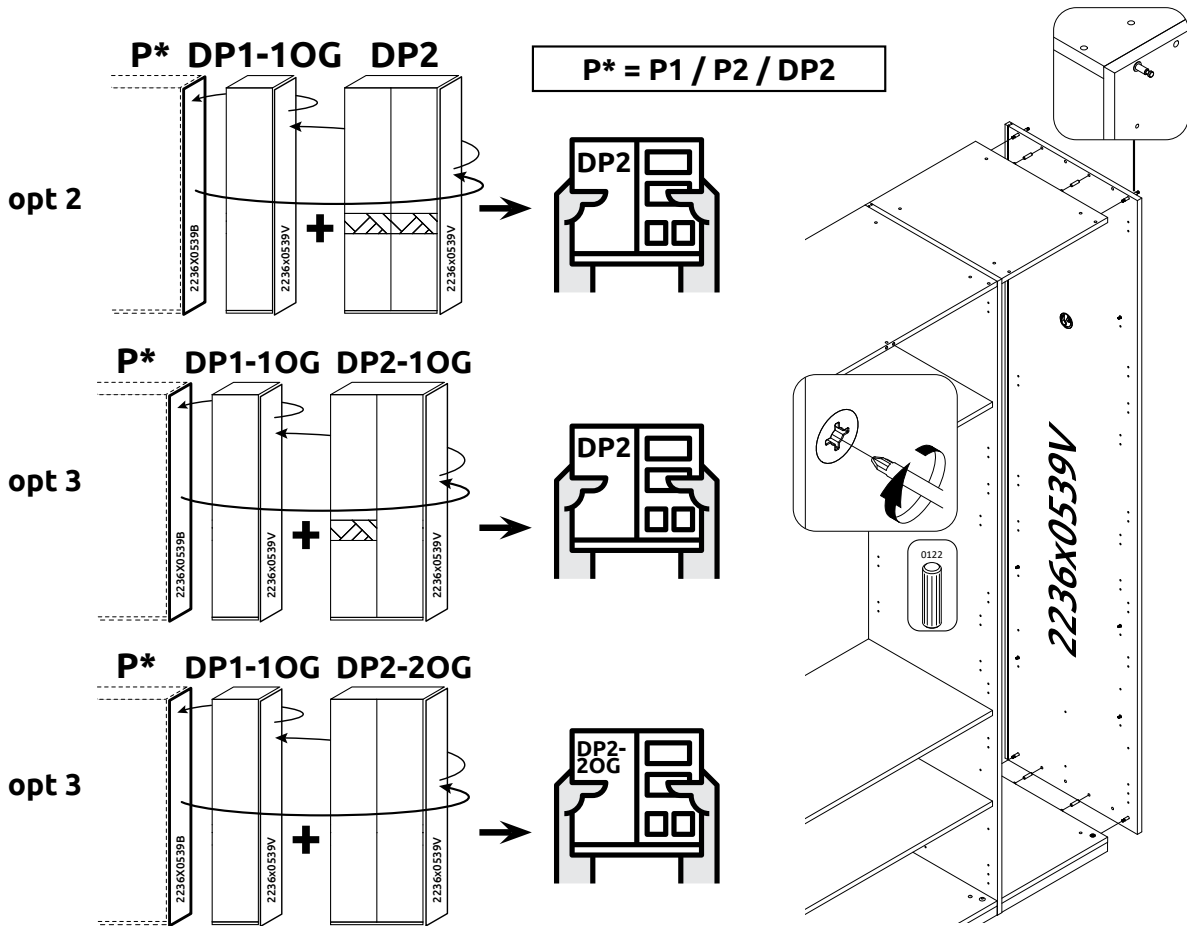


opt 3

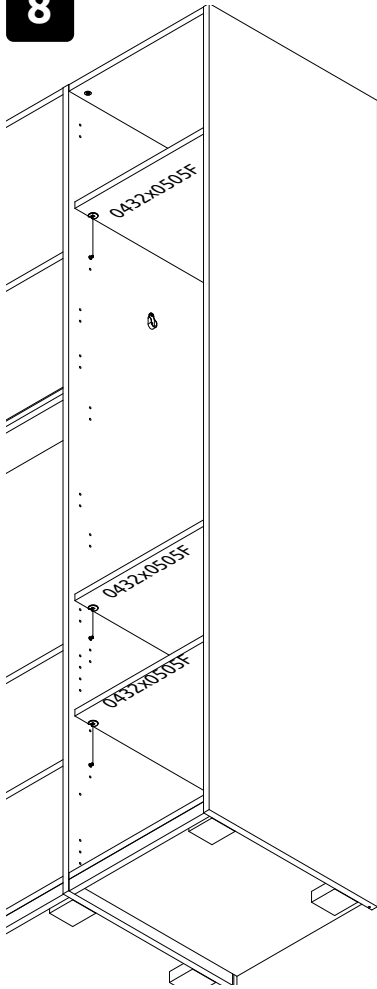


opt 3

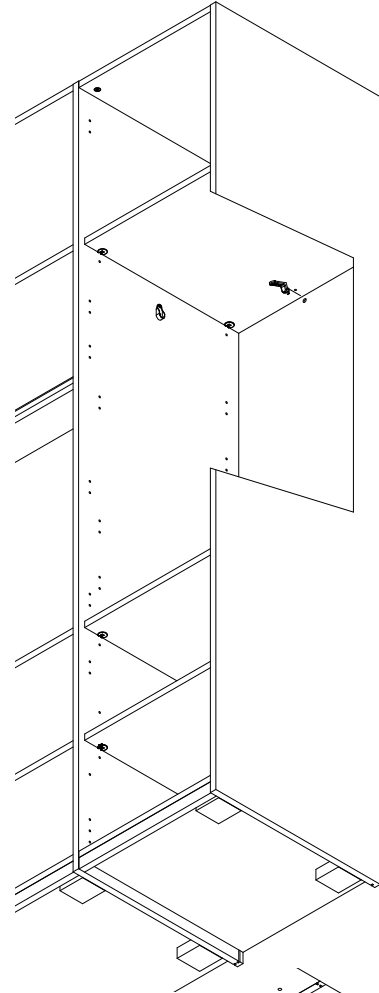
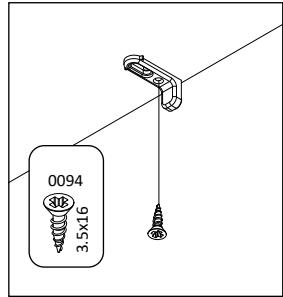
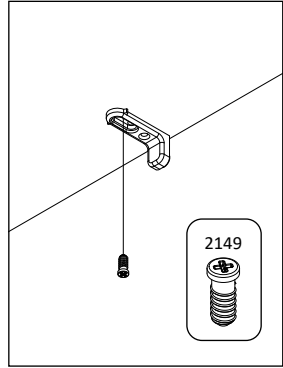
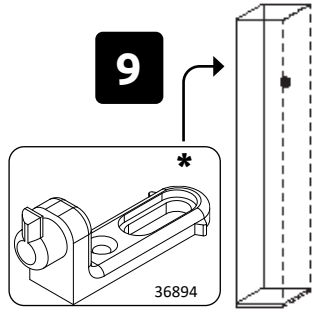




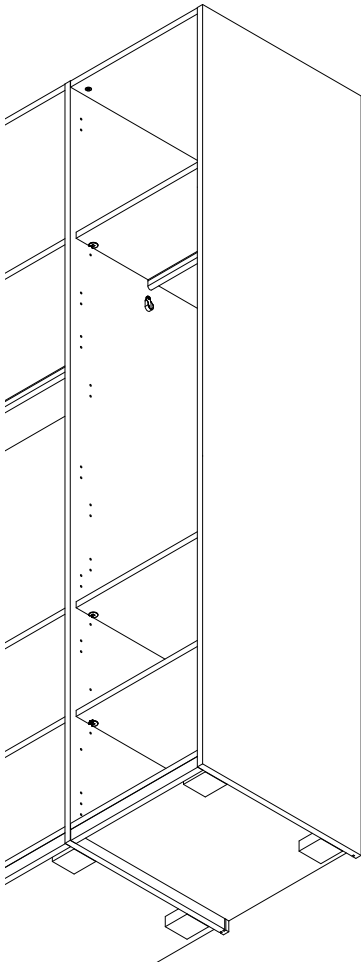
8



9



10



11

