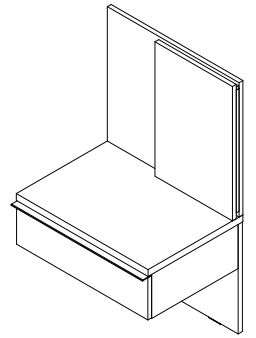
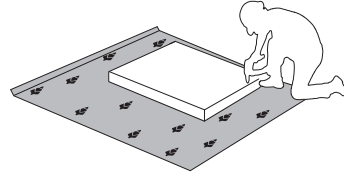
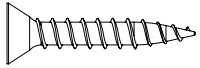
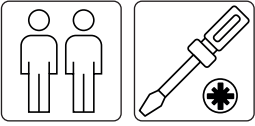


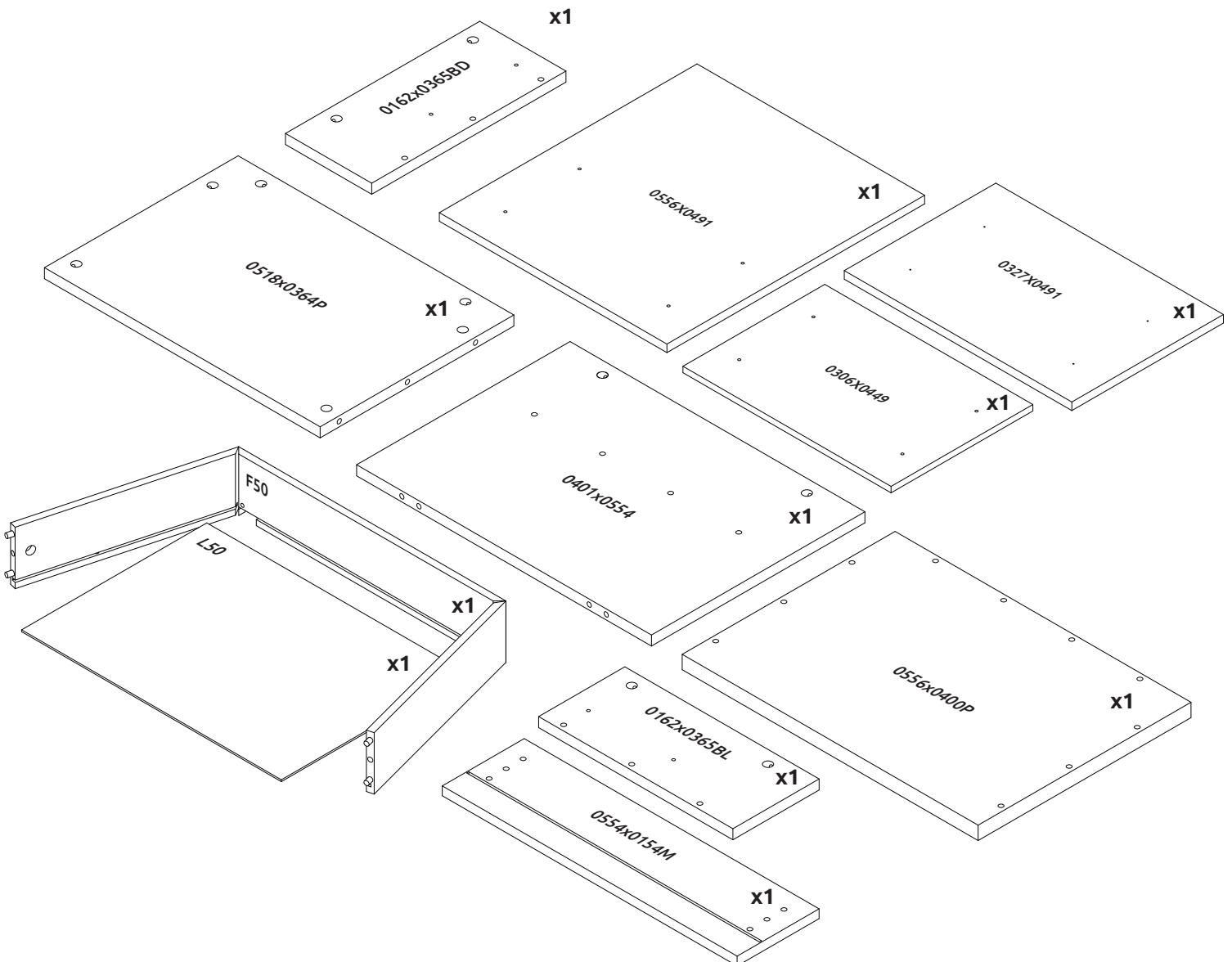


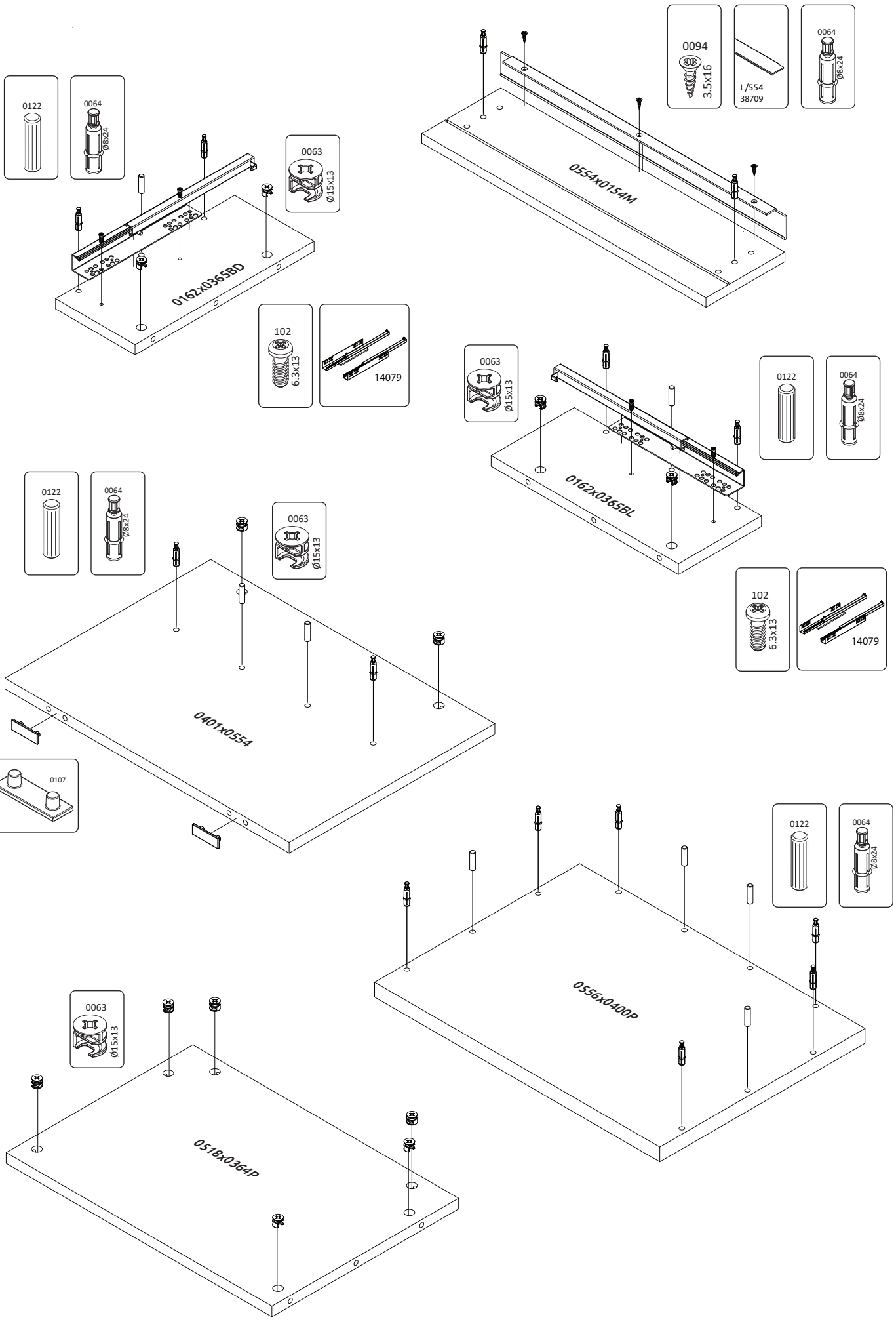
IMPORTANT - READ CAREFULLY - RETAIN FOR FUTURE REFERENCE  
 WICHTIG - SORGFÄLTIG LESEN UND AUFBEWAHREN

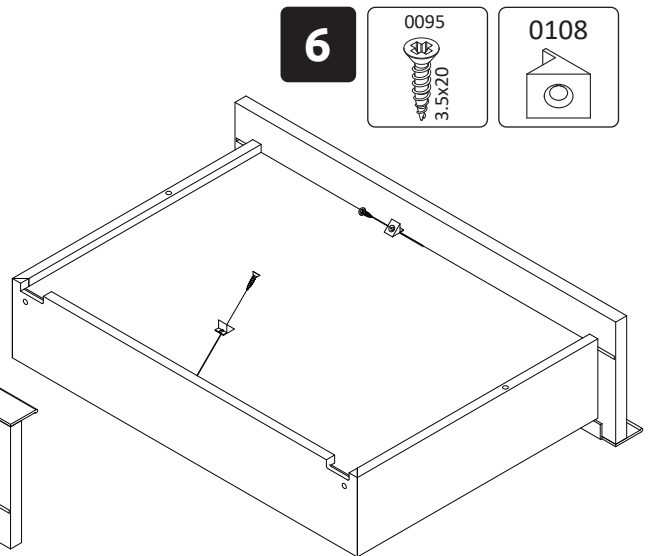
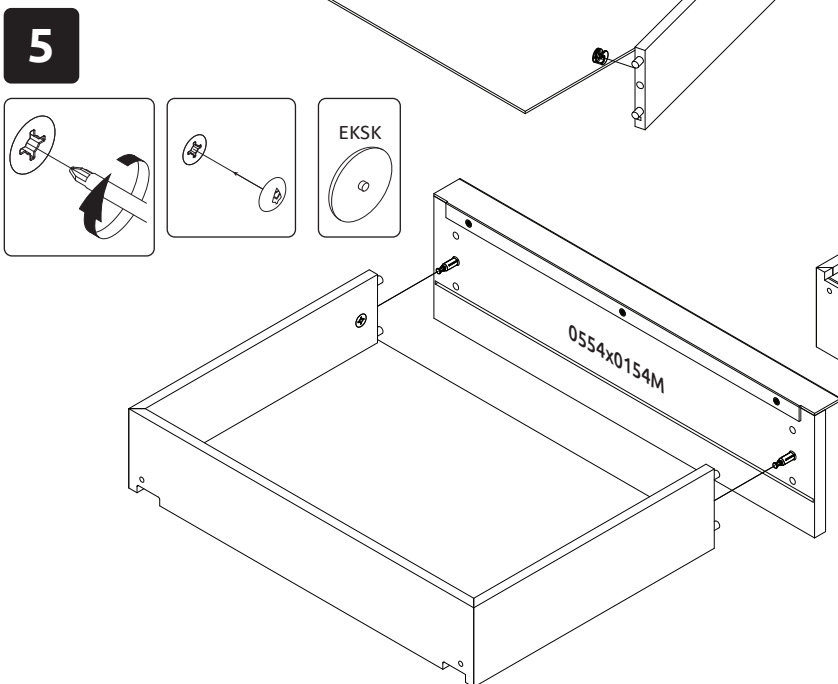
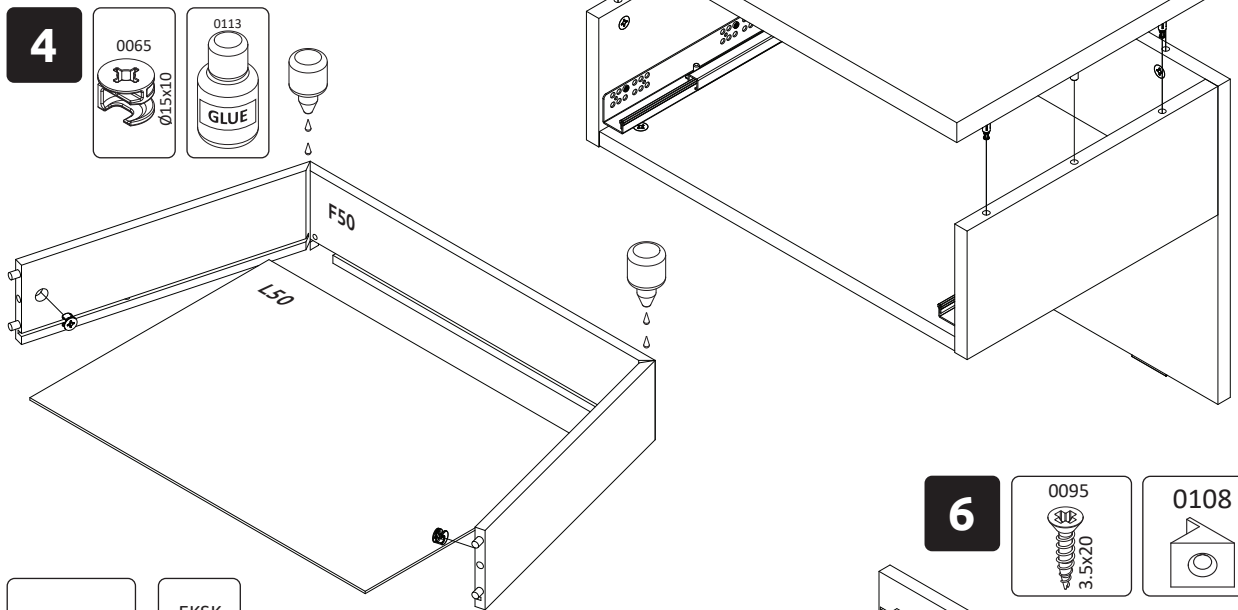
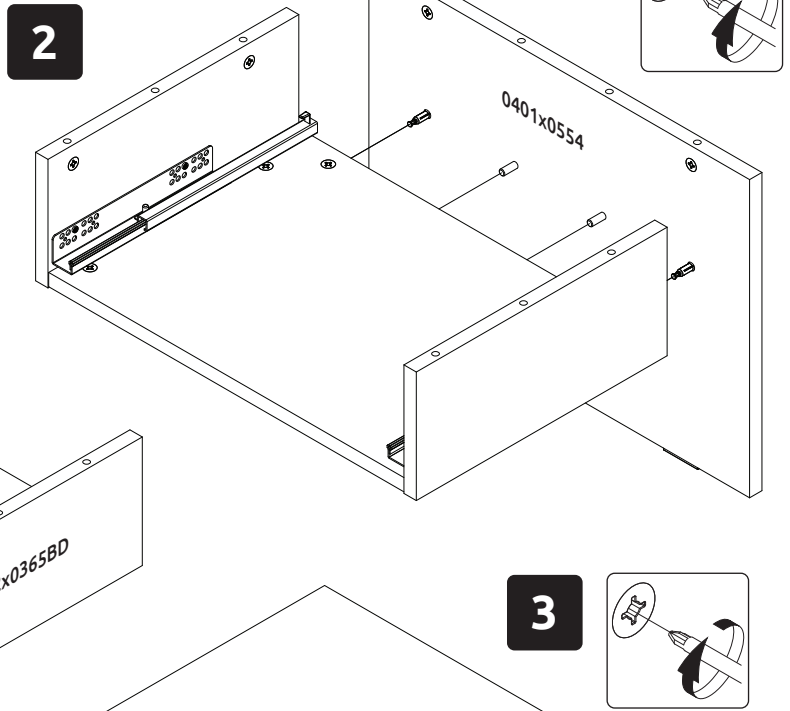
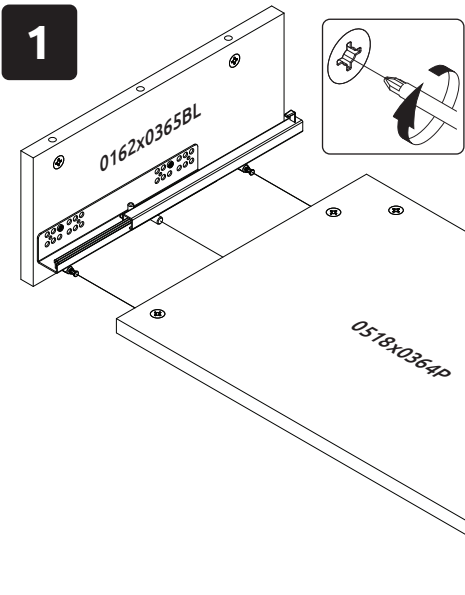


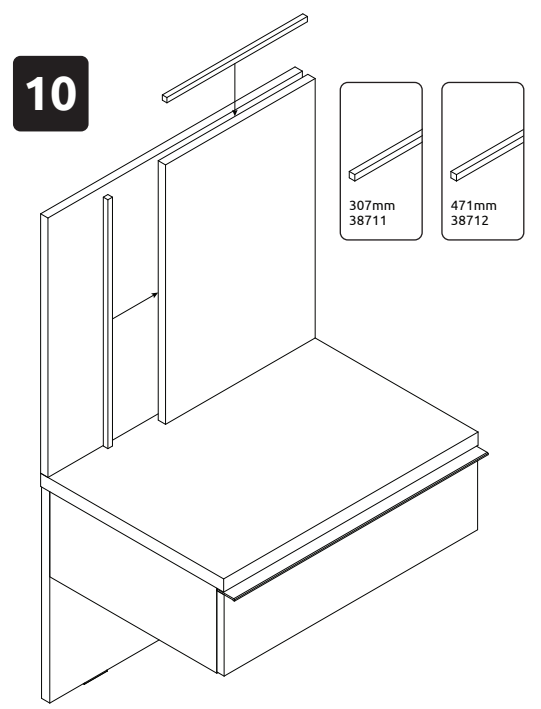
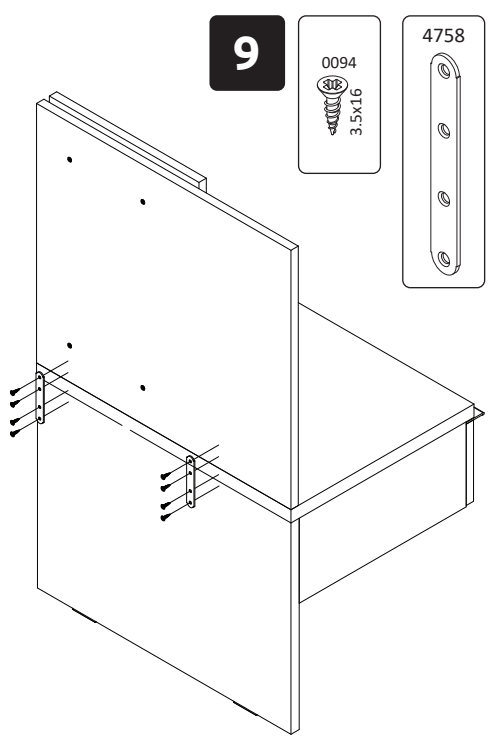
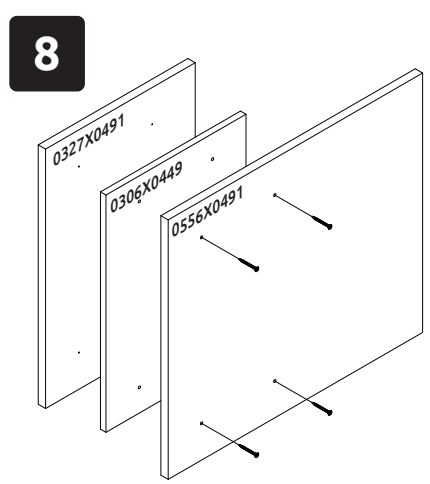
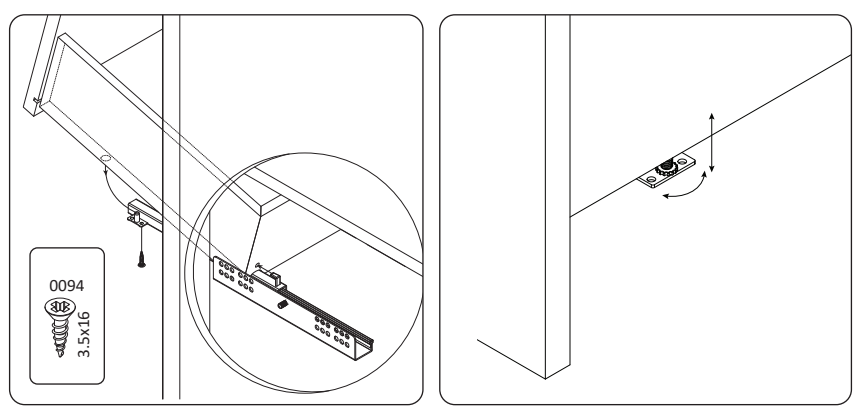
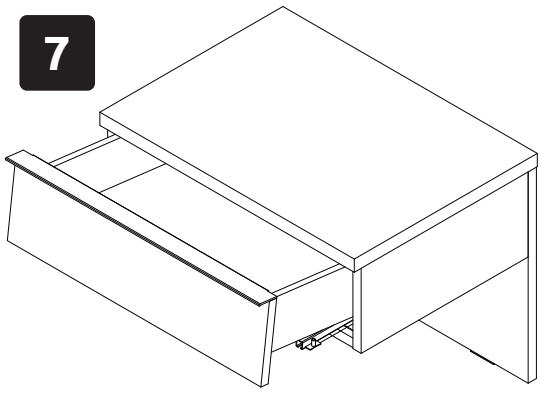
**NS1/ON**  
 LWH - 556X920X402

- |                               |                             |                            |                              |                               |                              |                   |                   |                             |                           |                   |                    |                   |
|-------------------------------|-----------------------------|----------------------------|------------------------------|-------------------------------|------------------------------|-------------------|-------------------|-----------------------------|---------------------------|-------------------|--------------------|-------------------|
| <b>x29</b><br>0094<br>3.5x1.6 | <b>x2</b><br>32244<br>3x2.0 | <b>x8</b><br>0122          | <b>x14</b><br>0064<br>Ø8x2.4 | <b>x12</b><br>0063<br>Ø15x1.3 | <b>x2</b><br>0065<br>Ø15x1.0 | <b>x2</b><br>0108 | <b>x2</b><br>EKSK | <b>x1</b><br>L/554<br>38709 | <b>x1</b><br>0113<br>GLUE | <b>x6</b><br>4758 | <b>x1</b><br>14079 | <b>x2</b><br>0107 |
| <b>x1</b><br>307mm<br>38711   | <b>x1</b><br>471mm<br>38712 | <b>x4</b><br>0100<br>4x4.0 | <b>x2</b><br>2114<br>4x3.5   | <b>x4</b><br>102<br>6.3x1.3   |                              |                   |                   |                             |                           |                   |                    |                   |

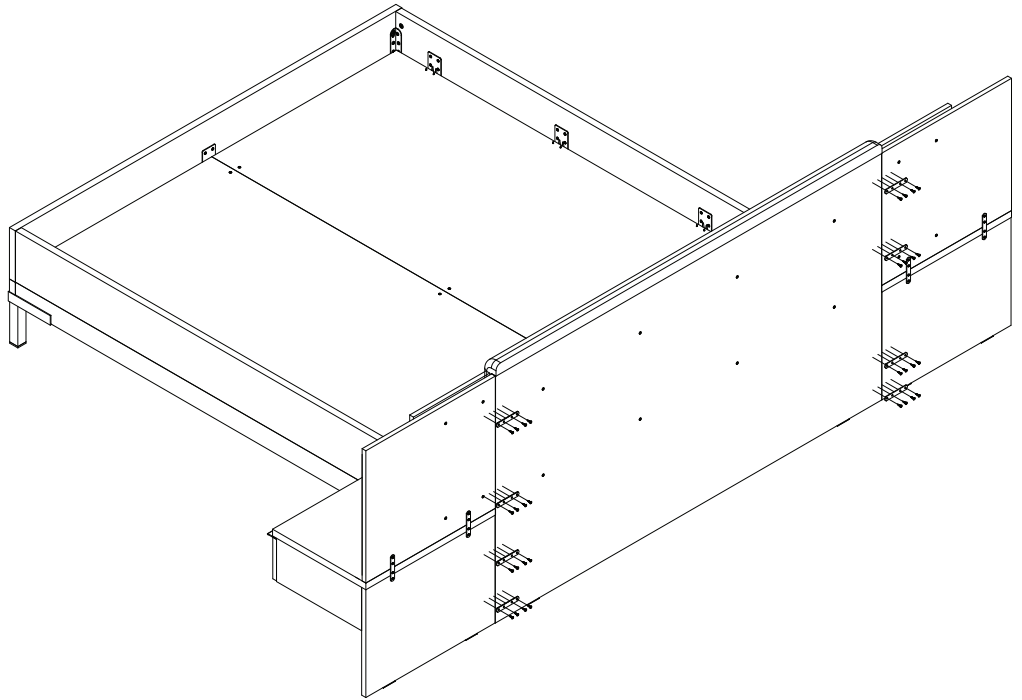
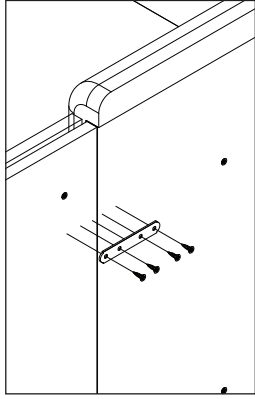
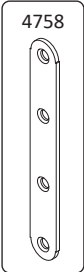
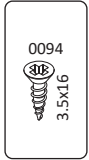








**11**



**12**

