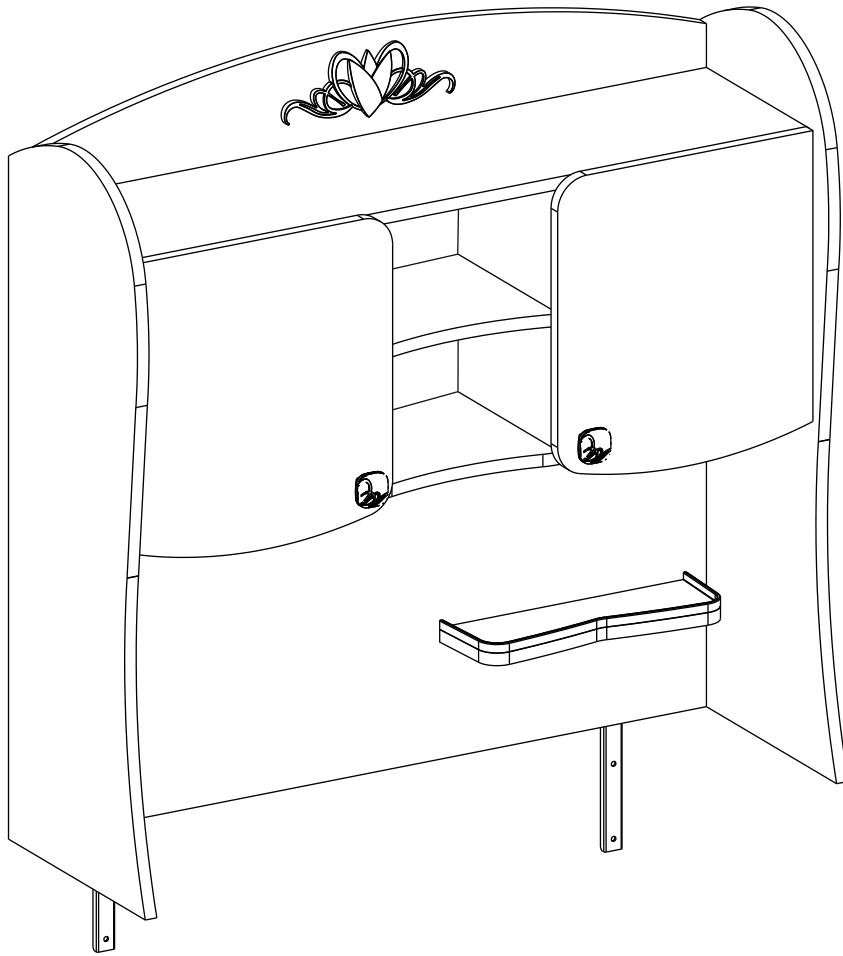
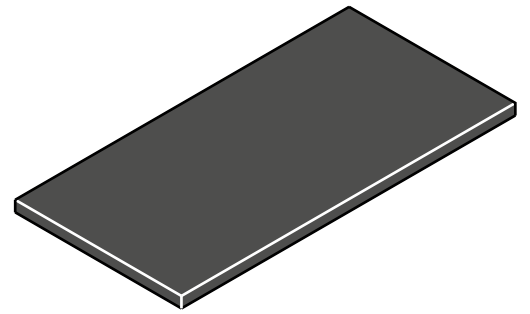
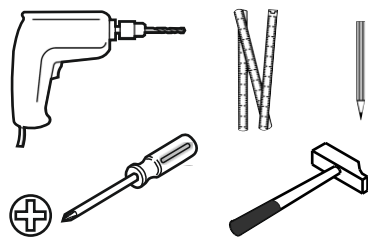
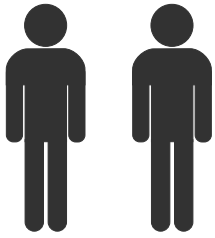
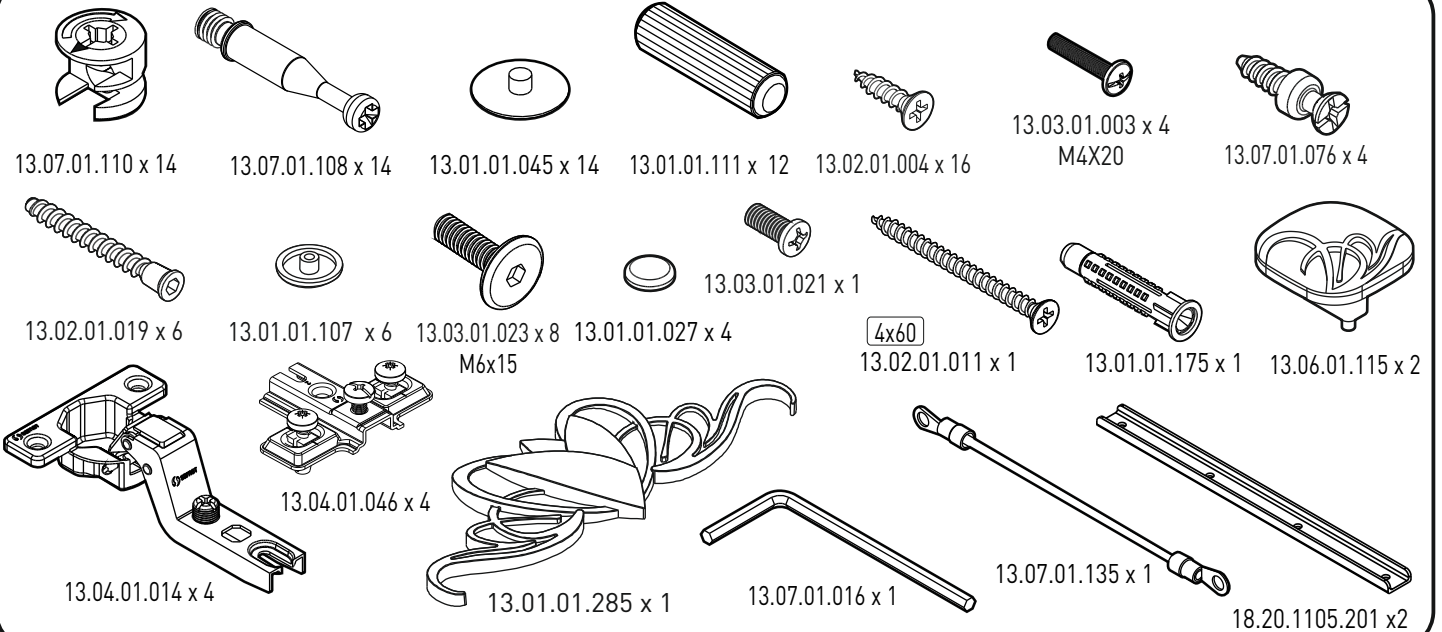


20.20.1105.00

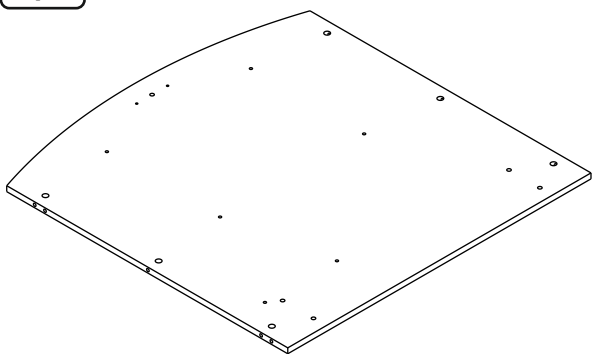




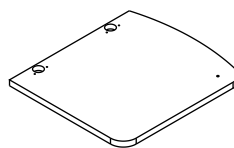
1 / 1



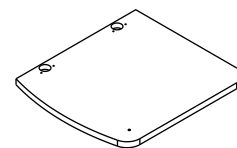
1 / 1



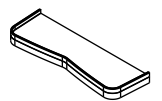
18.20.1105.001 x 1



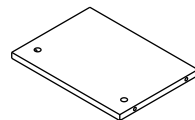
18.20.1105.009 x 1



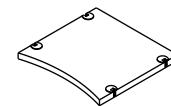
18.20.1105.010 x 1



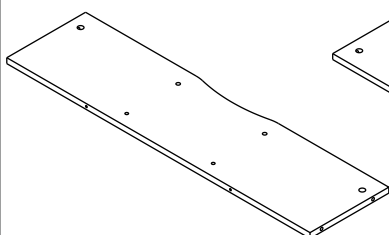
18.20.1105.008 x 1



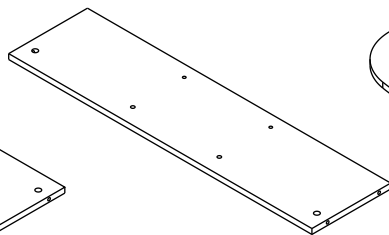
18.20.1105.007 x 2



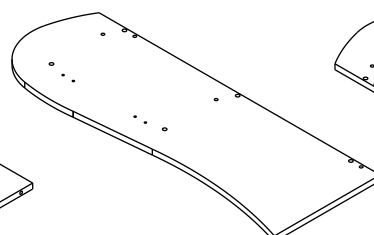
18.20.1105.006 x 1



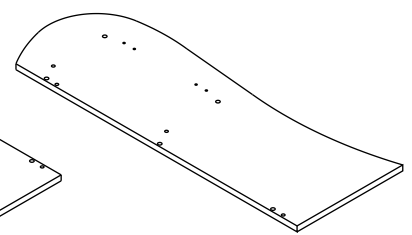
18.20.1105.005 x 1



18.20.1105.004 x 1

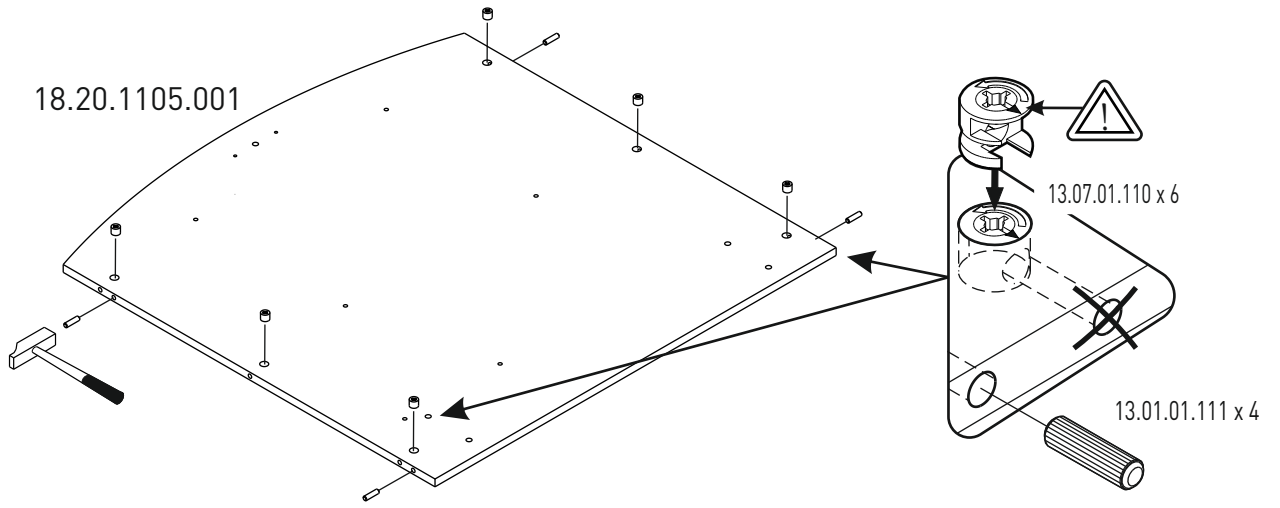


18.20.1105.002 x 1

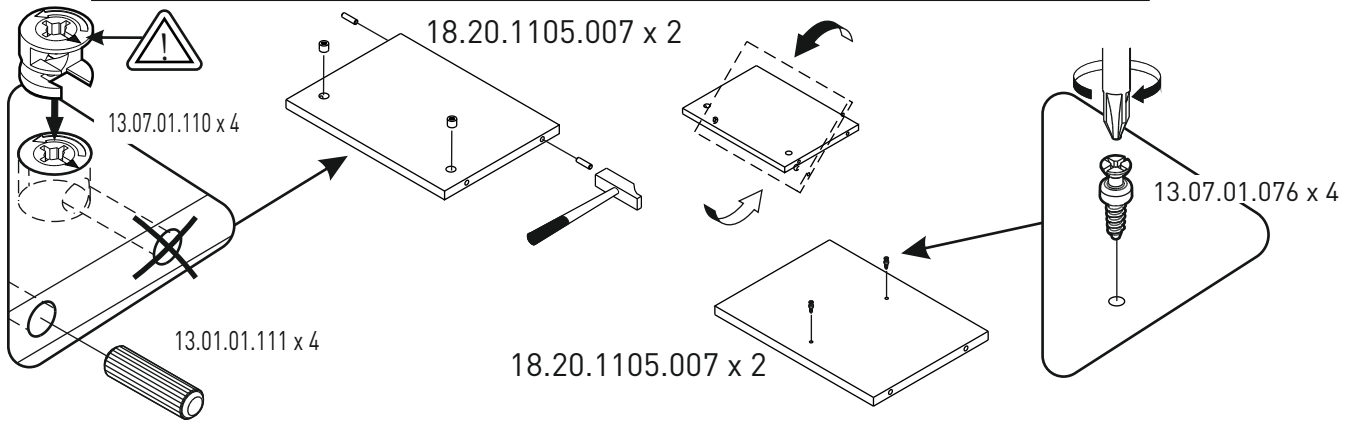


18.20.1105.003 x 1

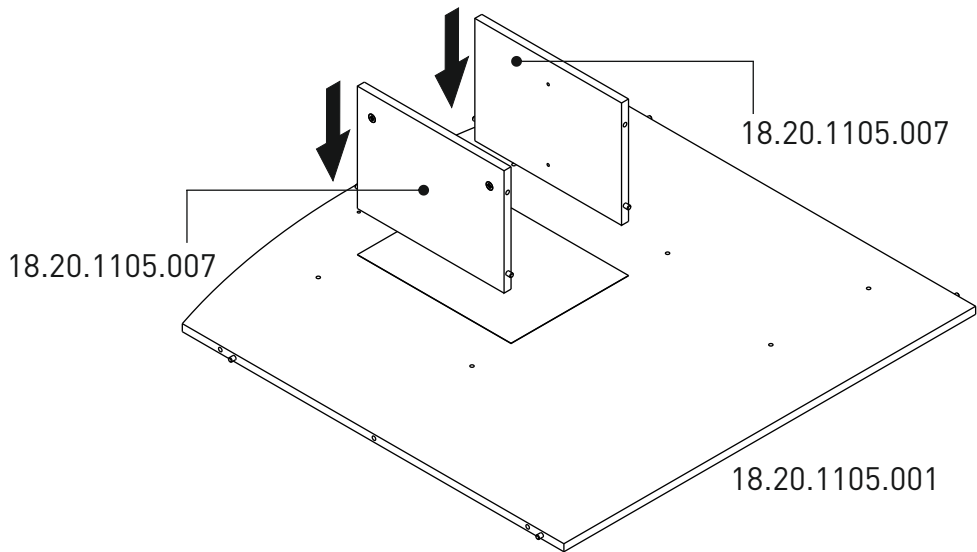
1



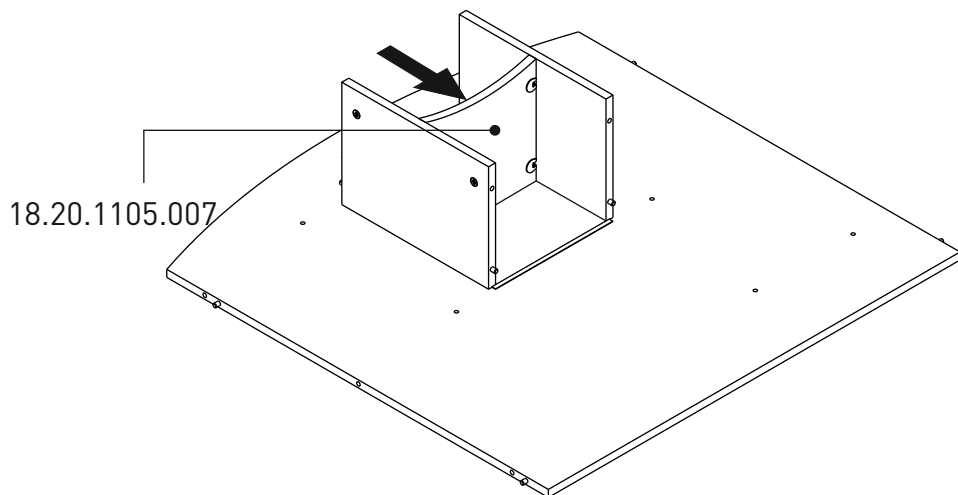
2



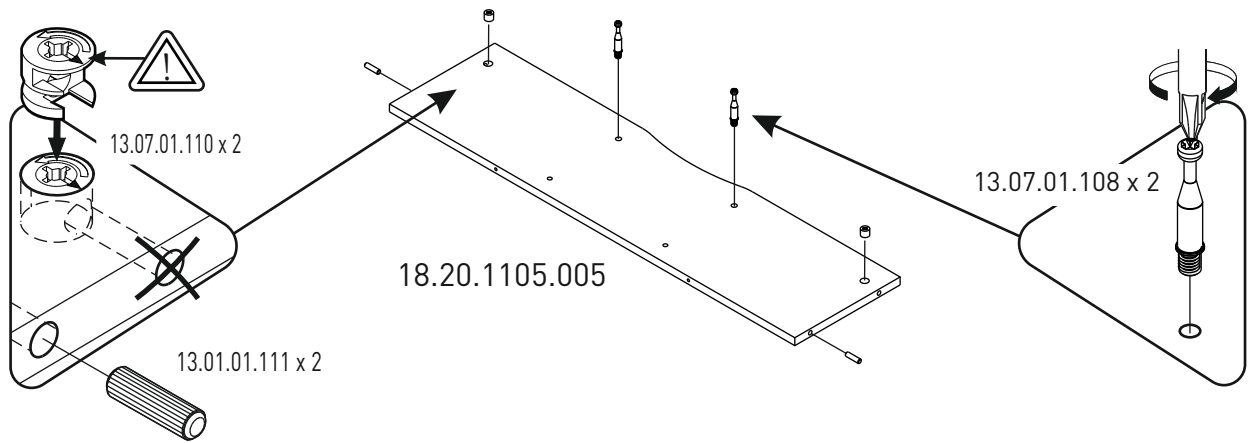
3



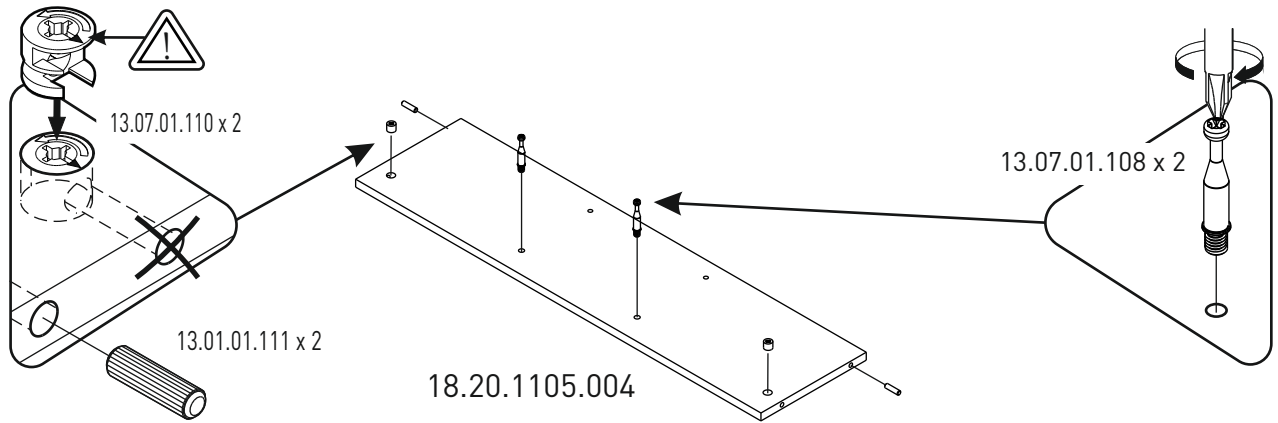
4



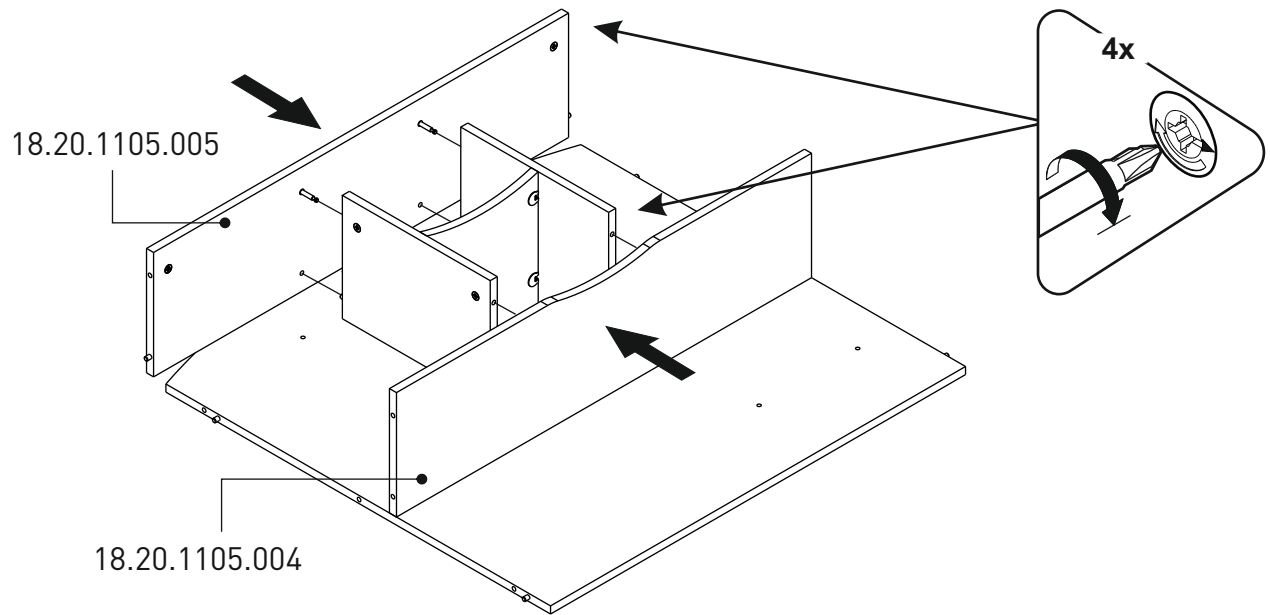
5



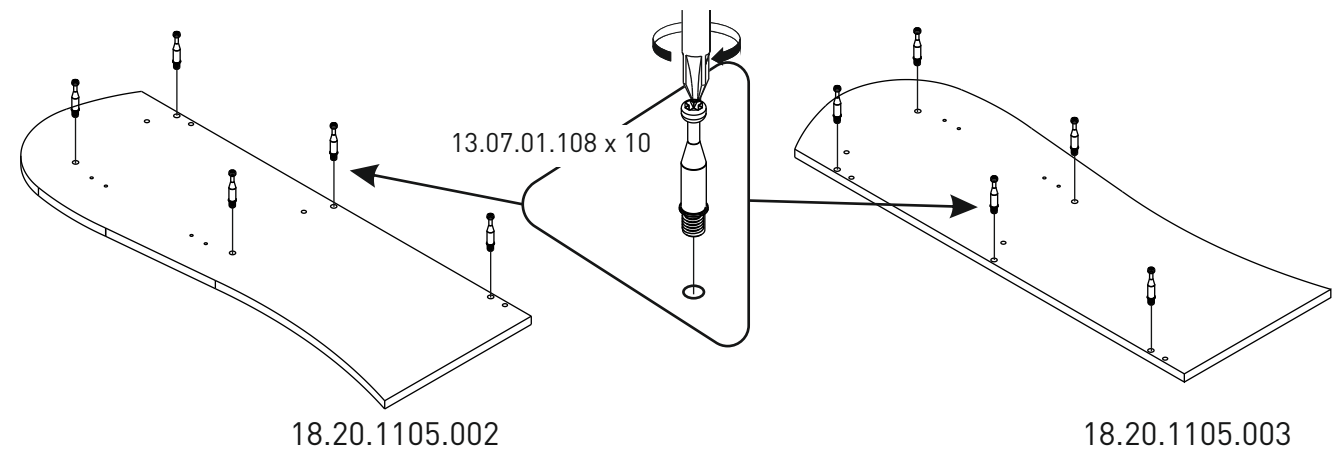
6



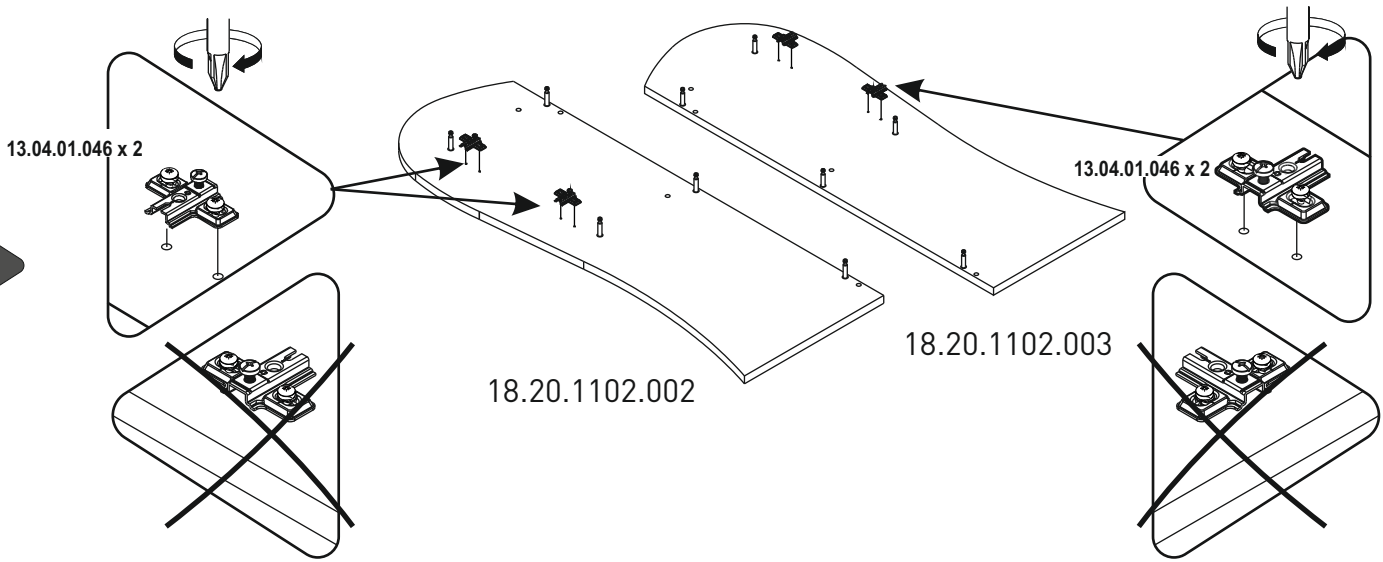
7



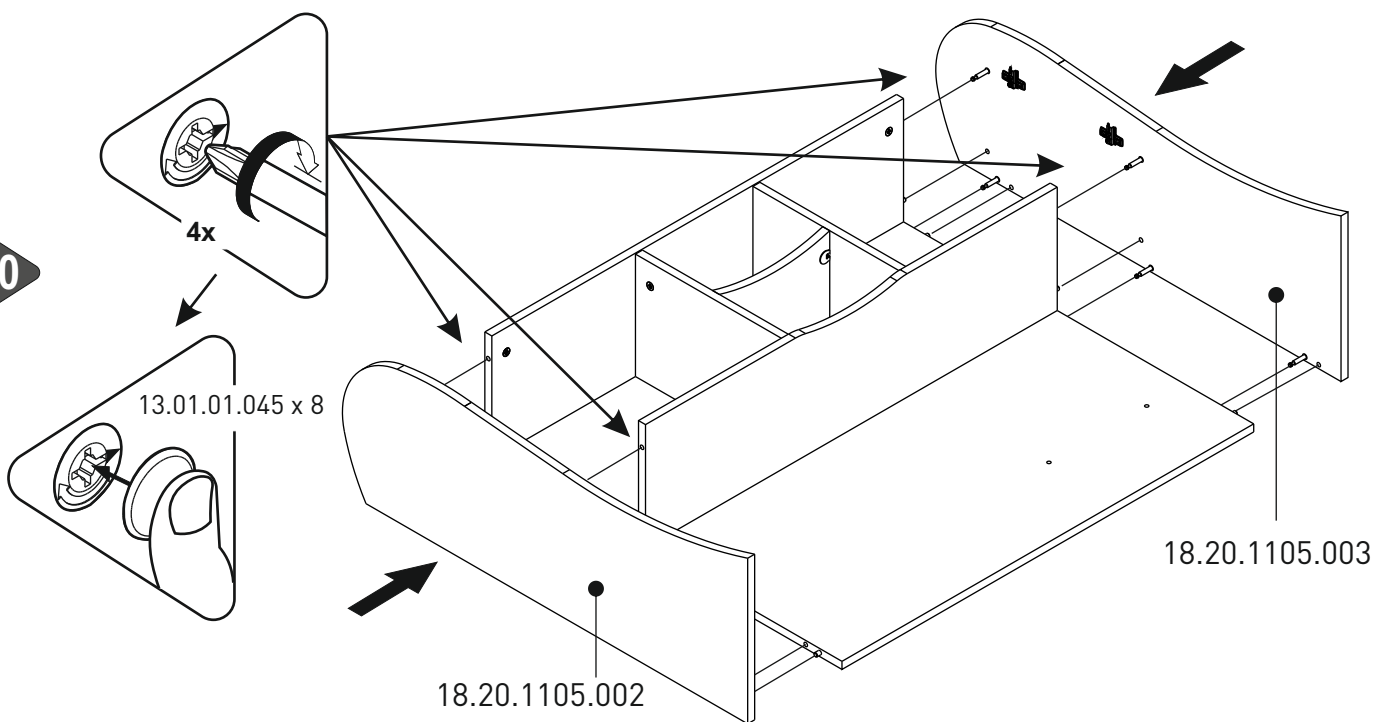
8



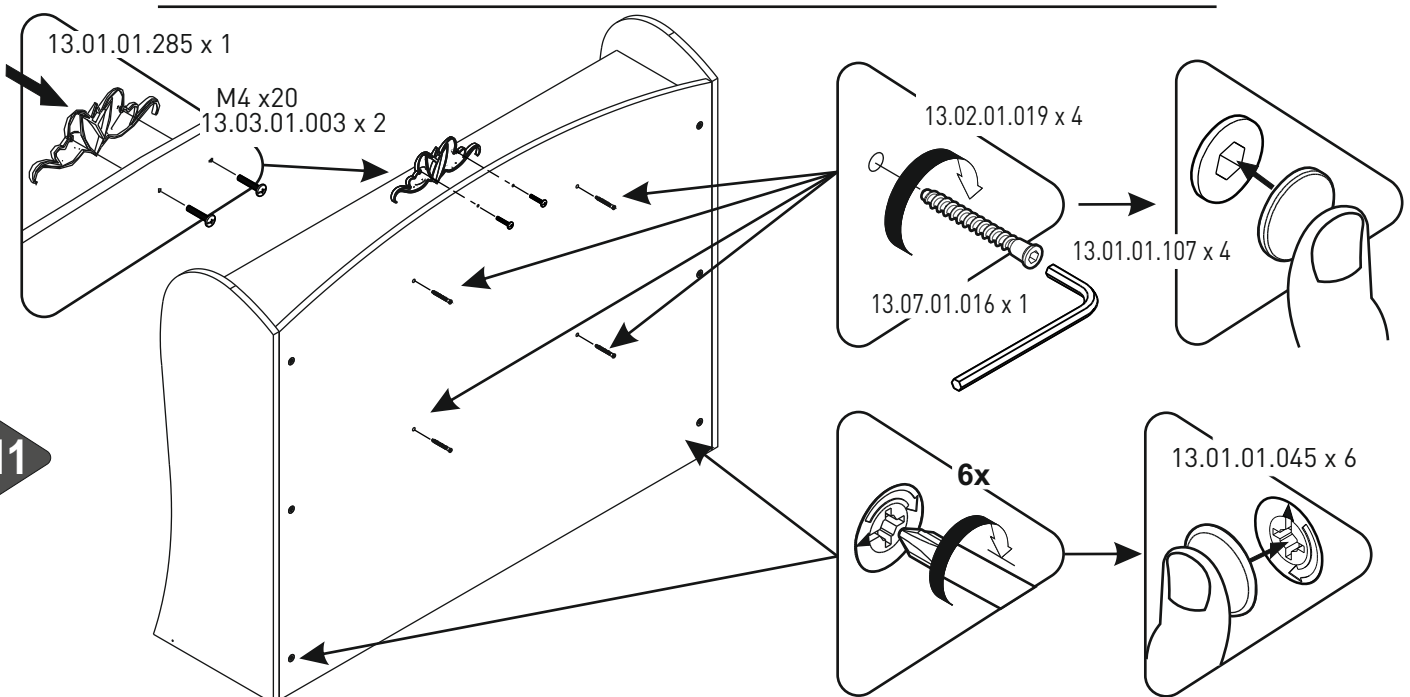
9



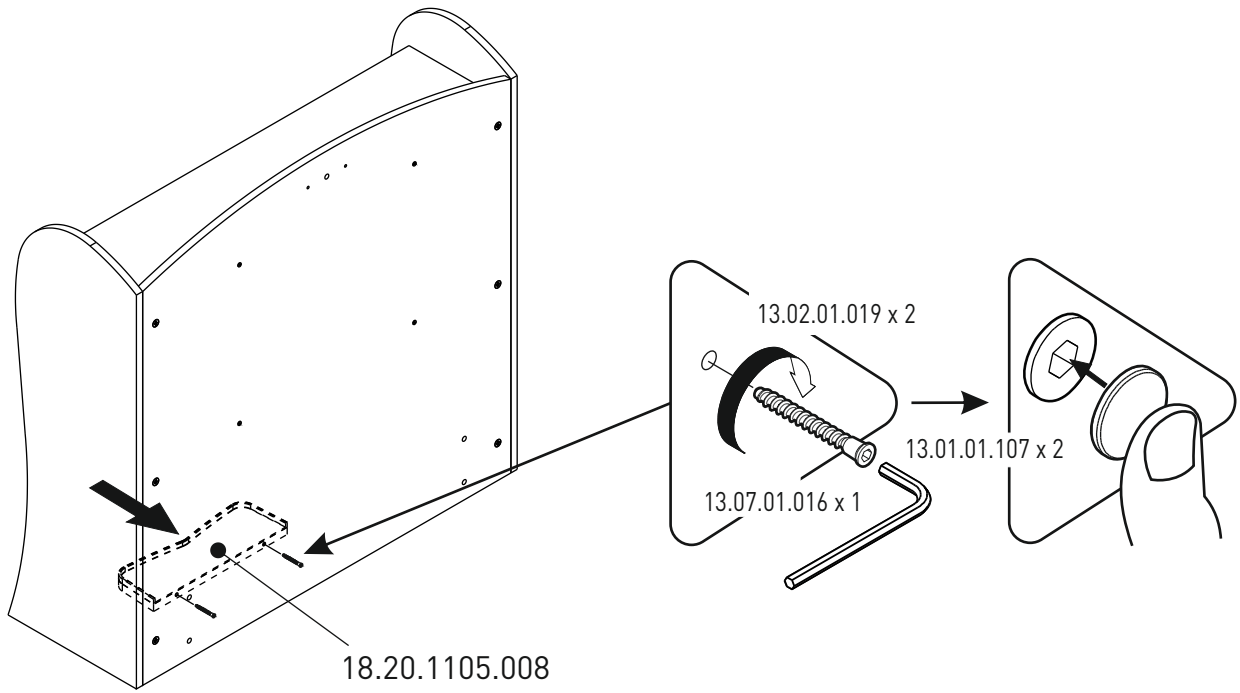
10



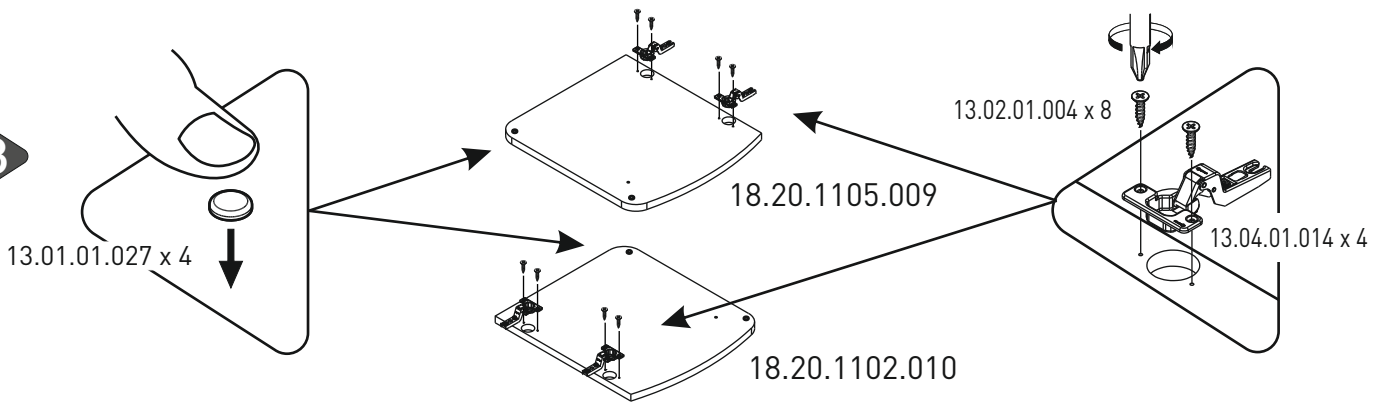
11



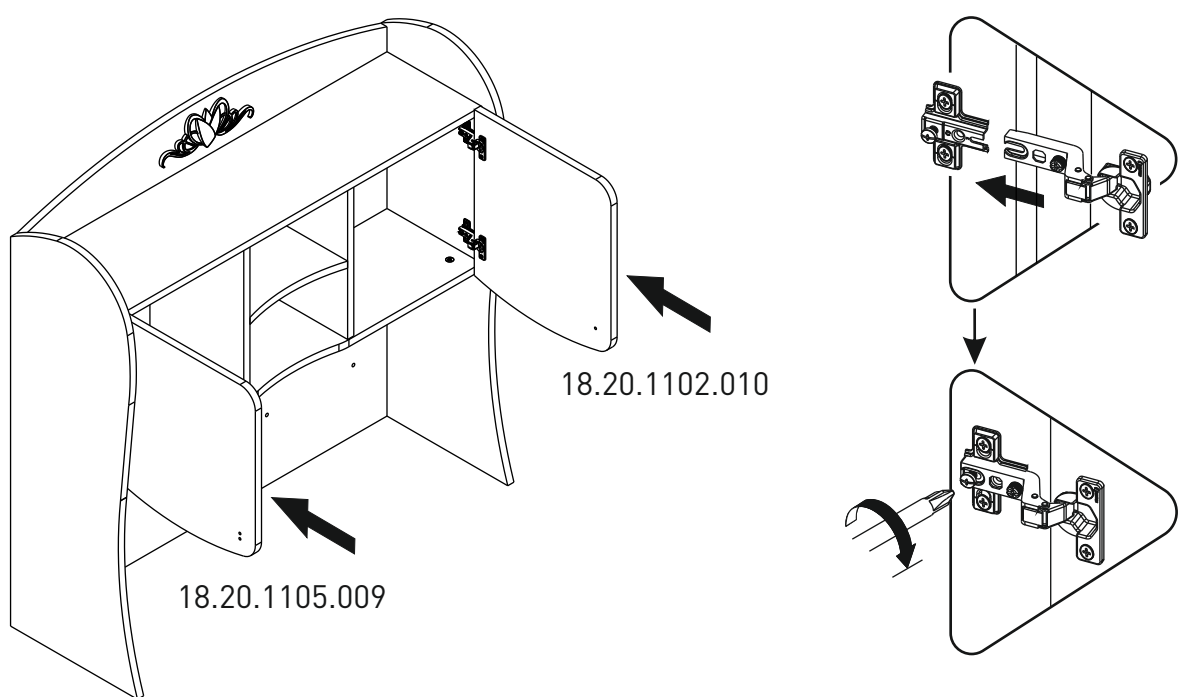
12



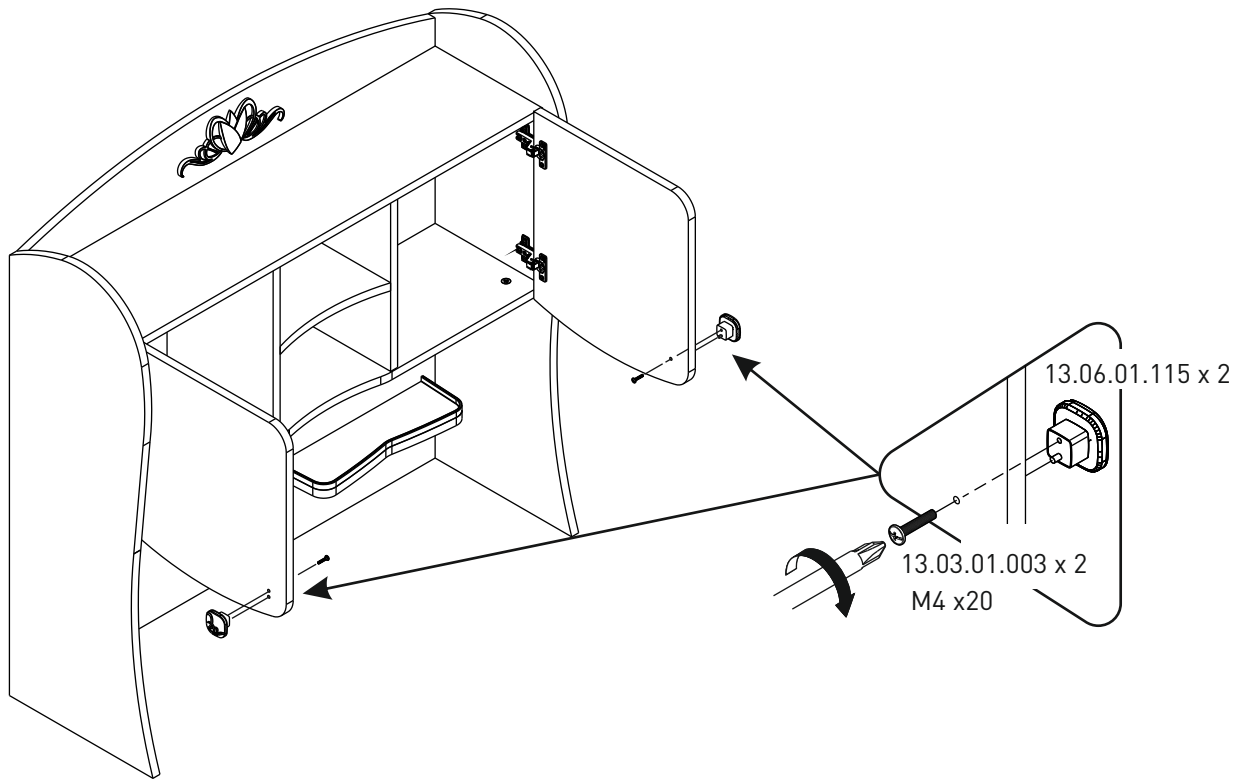
13



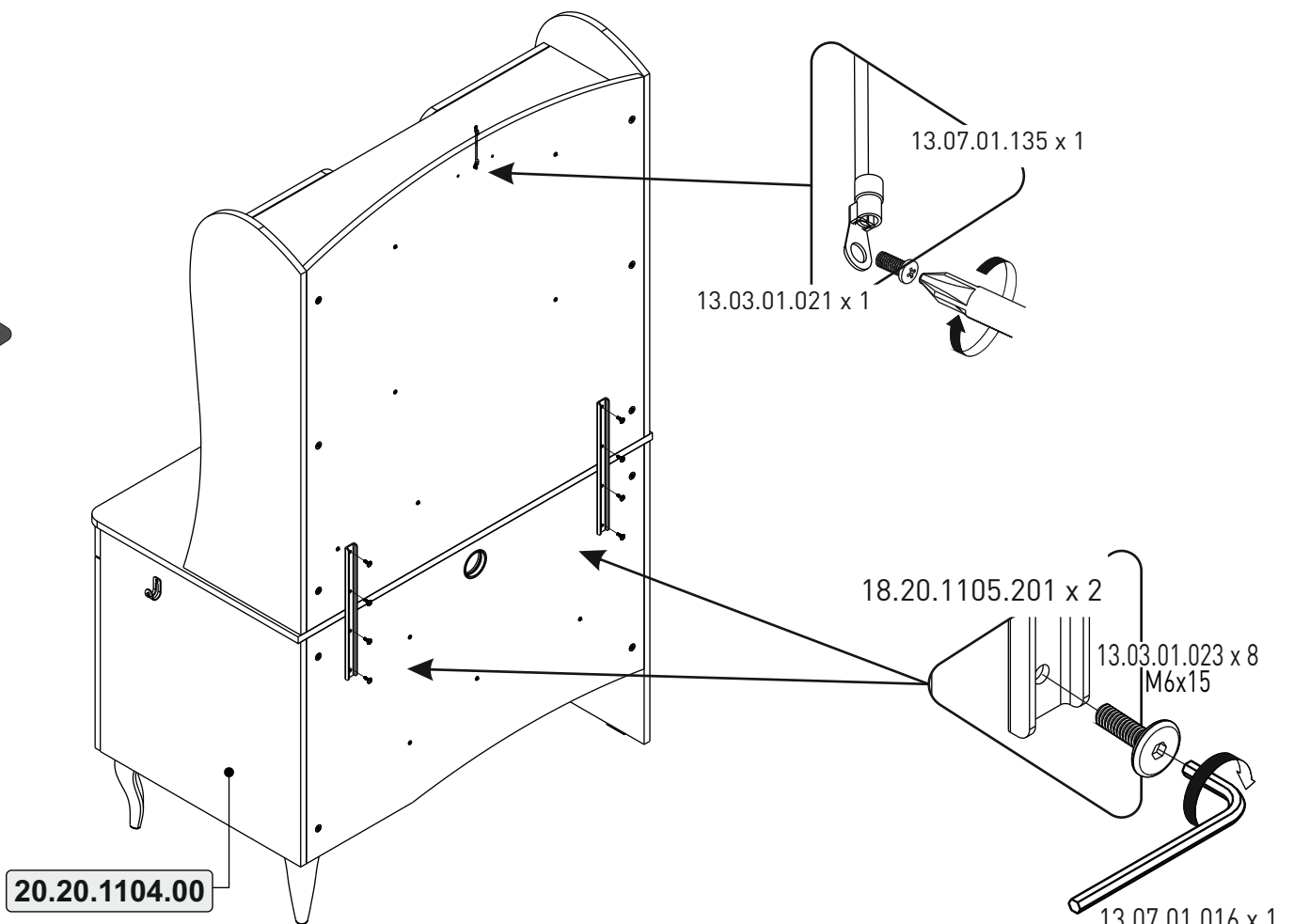
14



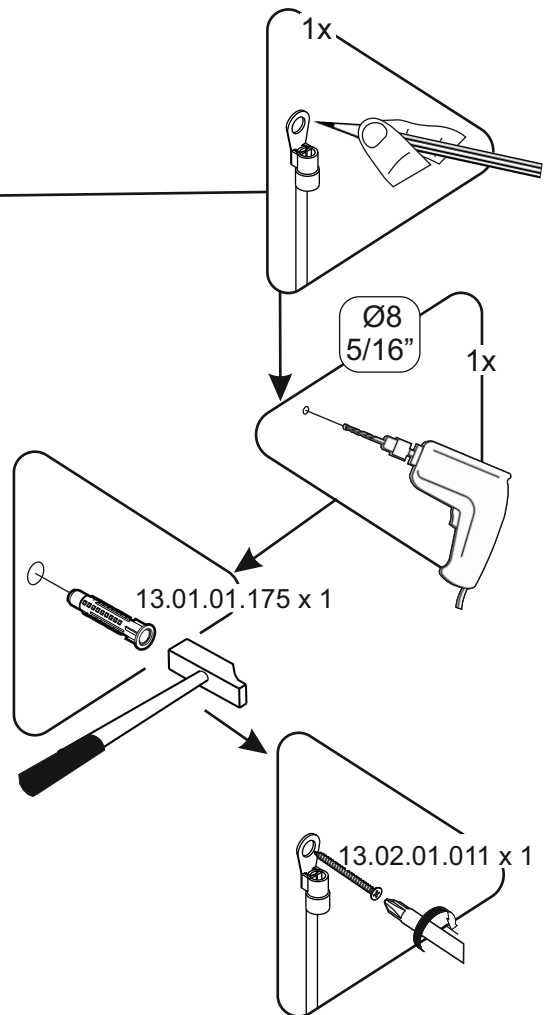
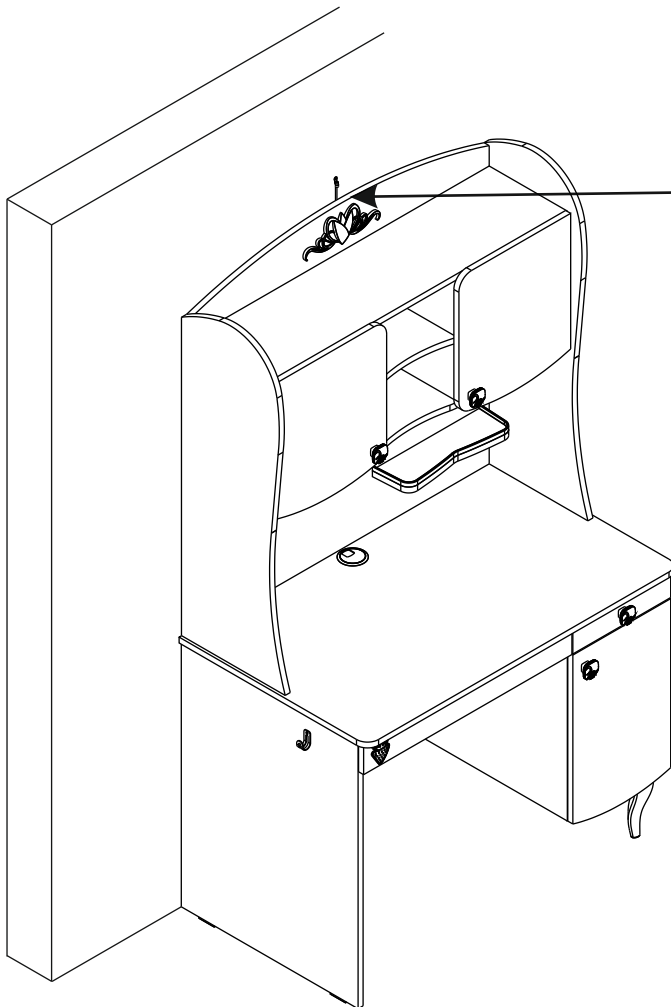
15



16



17



i

