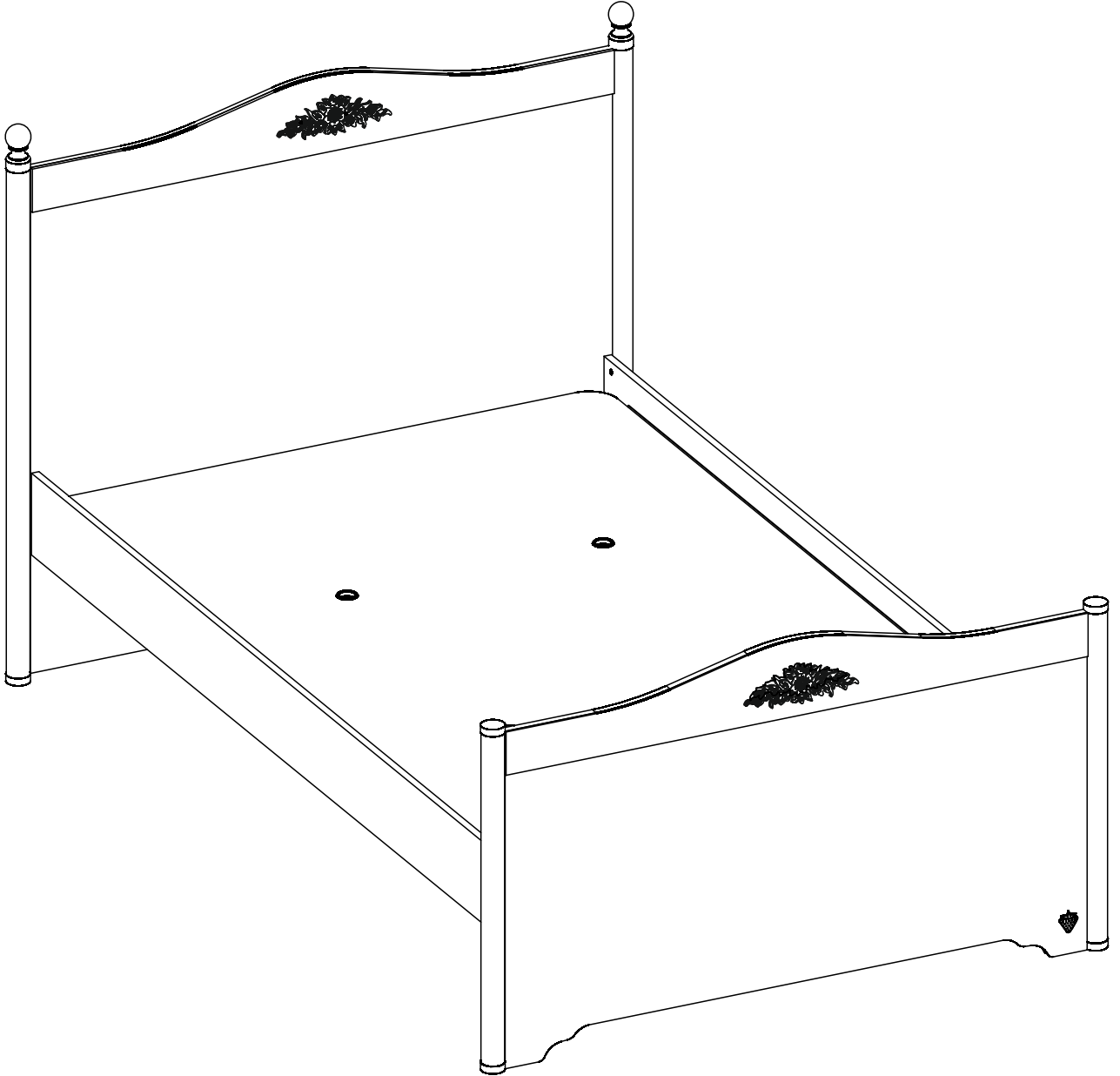
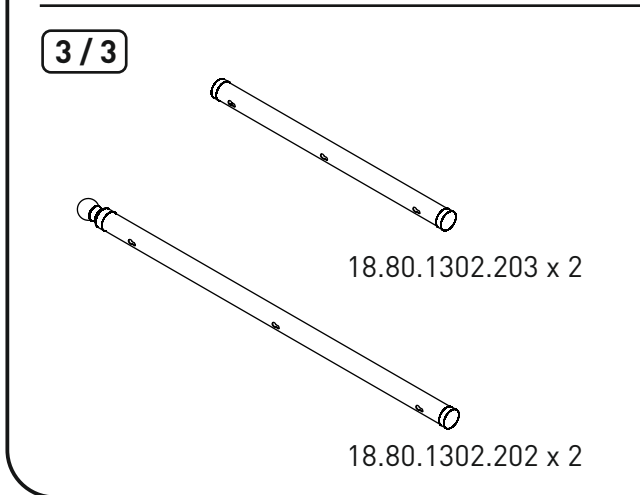
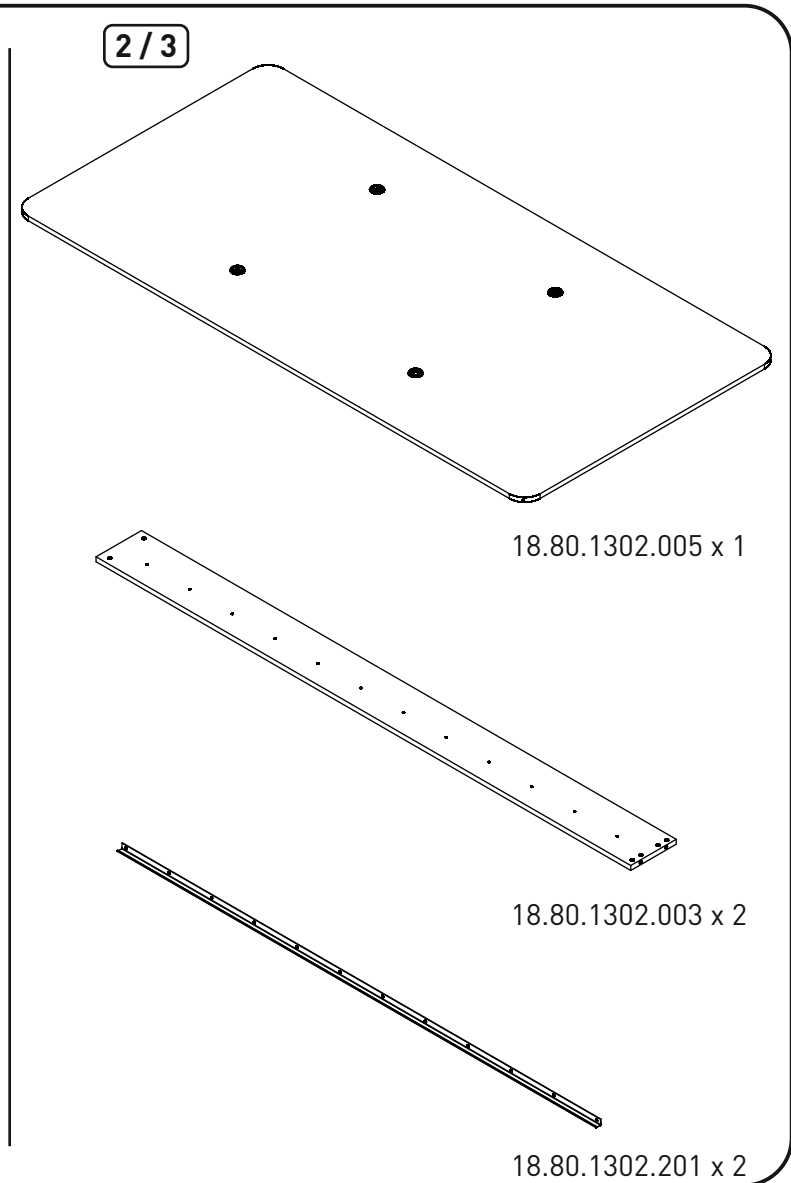
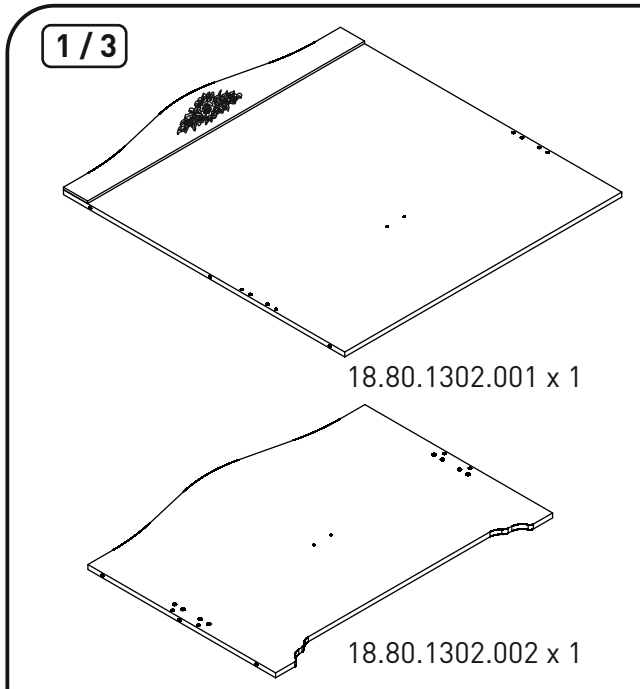
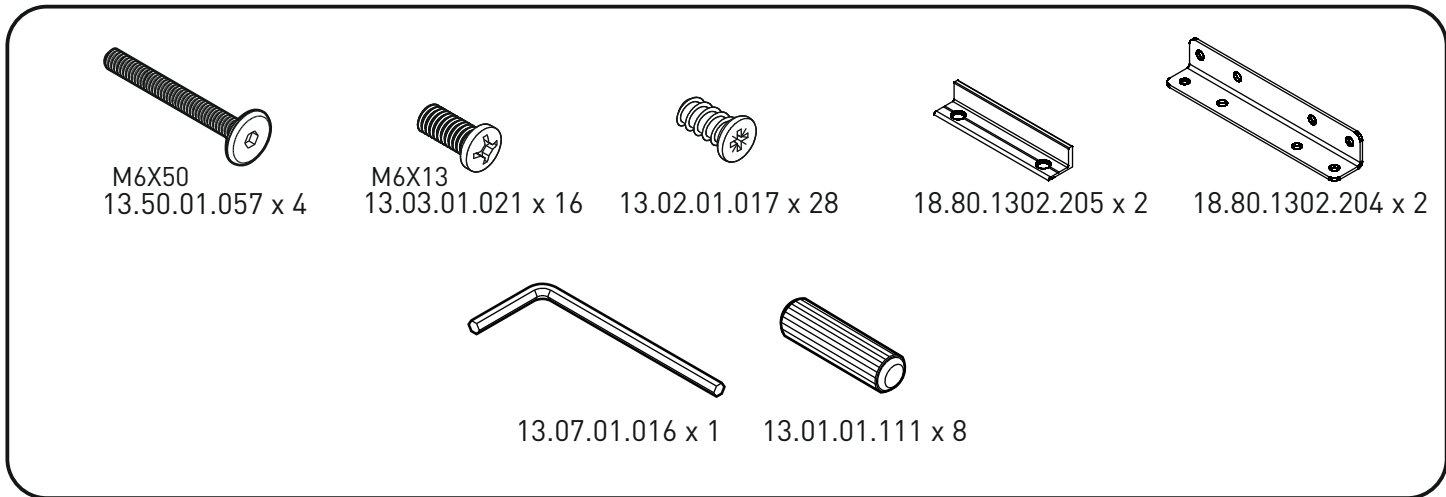
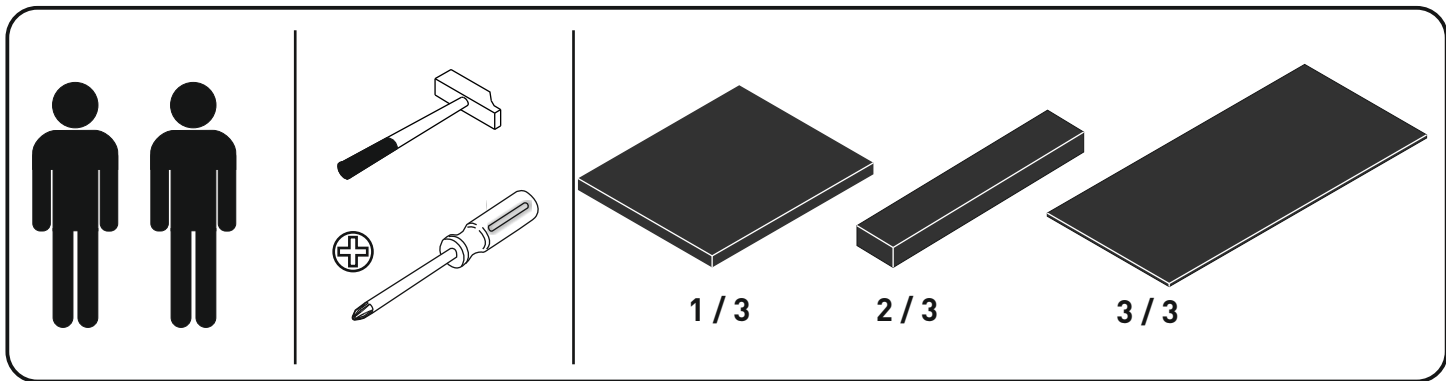
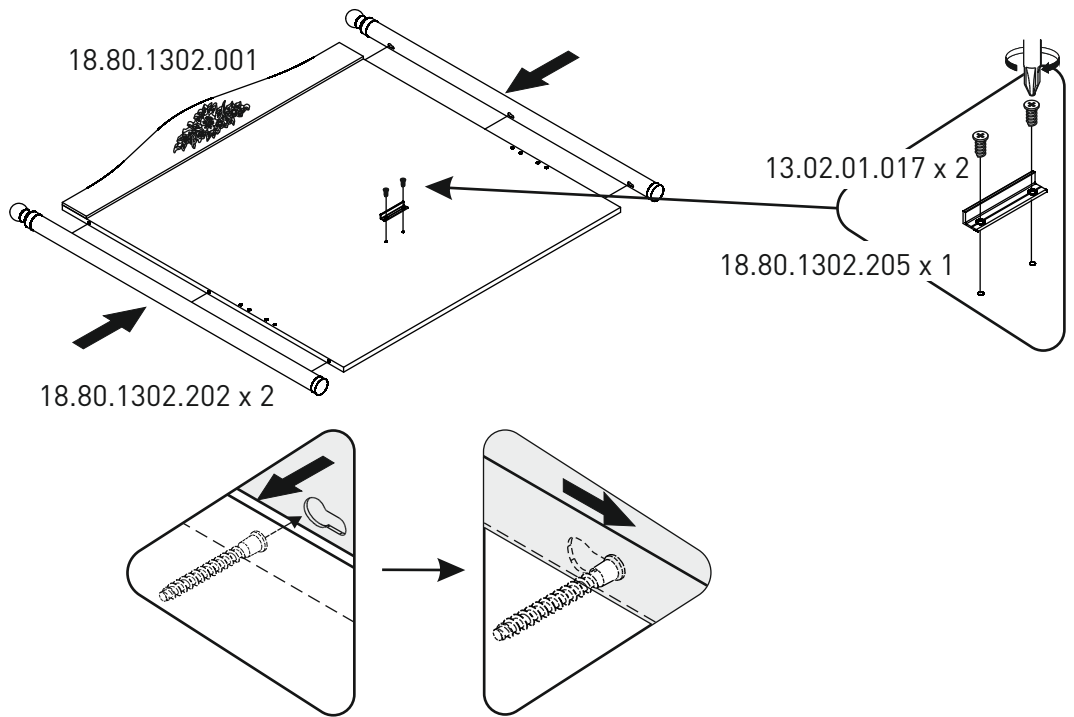
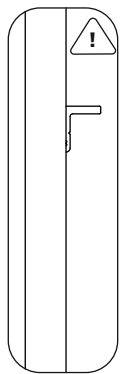


20.80.1302.00

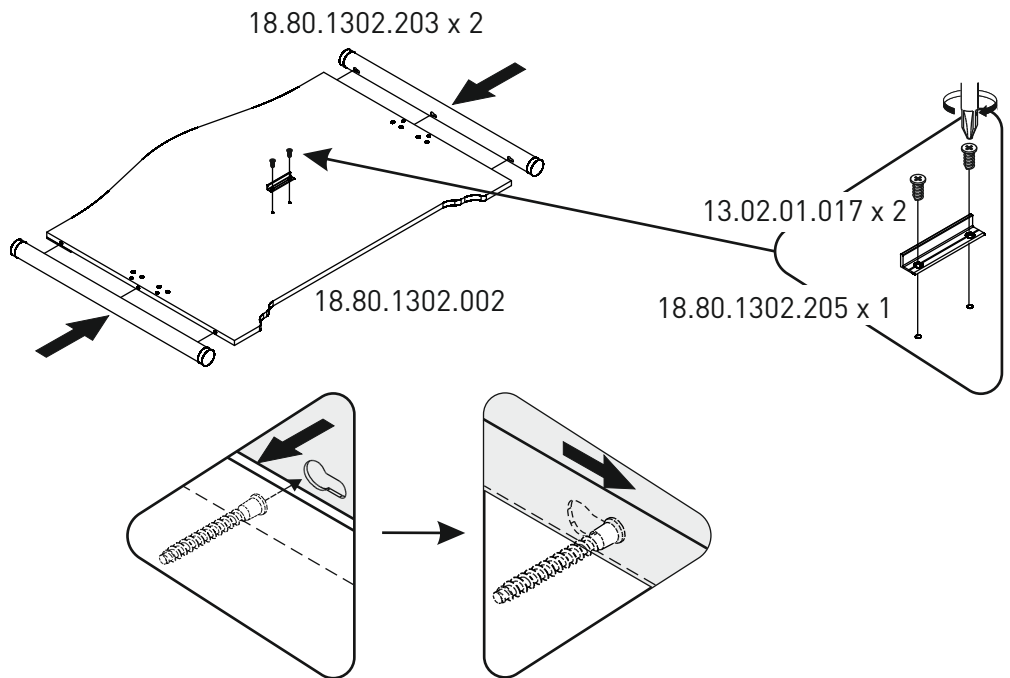
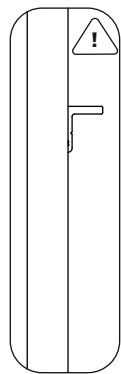




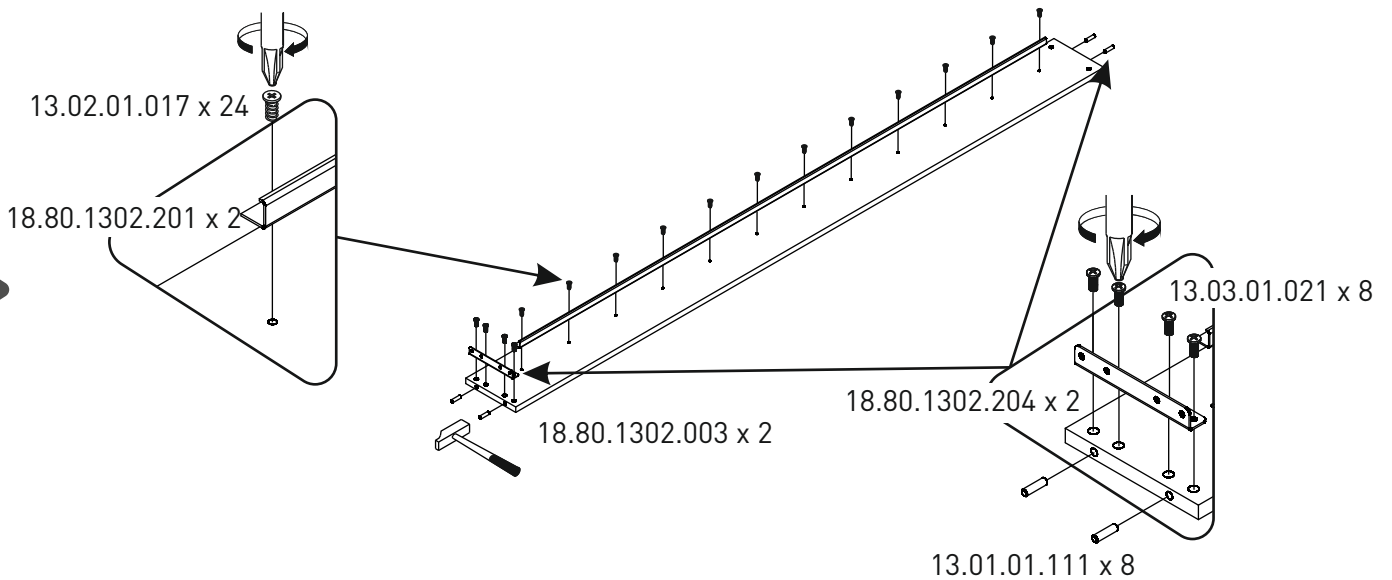
1



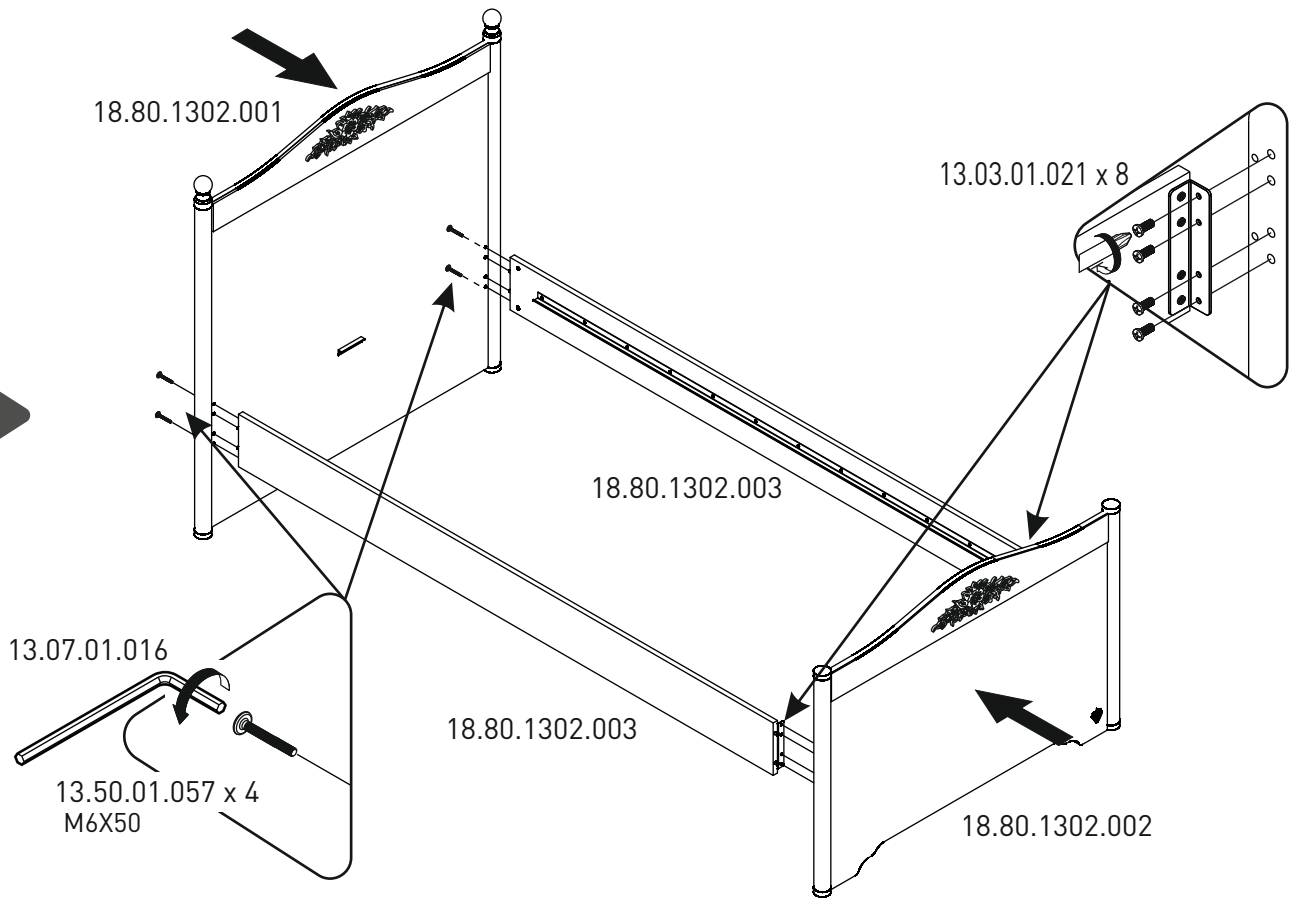
2



3



4



5

