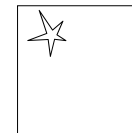




Front/Carcase	Colour code
Front High polish white/Carcase Alpine white	A9P69



High polish white



Alpine white



Aluminium-coloured handles

■ See rauch BLUE Accessories 2.0 for wardrobe accessories.

Supplier: Rauch Möbelwerke GmbH

Quality features

rauch BLUE



Interior colour
Texline
colour



Metal guide rails,
rauch EASY
SLIDE



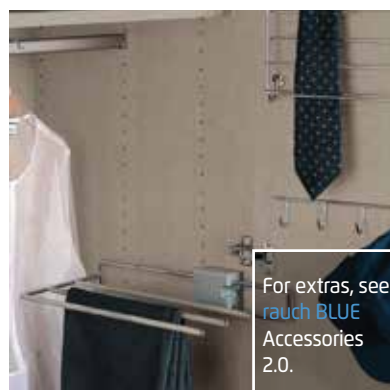
Drawers
on silent
ball-bearing
runners



Optional
dampers for
hinged and
sliding doors



The following space is required to mount the wardrobe:
wardrobe height + min. 15 cm,
wardrobe width + min. 15 cm on each side.



For extras, see
rauch BLUE
Accessories
2.0.

Top workmanship

Proven fittings technology

Easy to assemble

Practical accessories

Material information



Colour

Furniture with colour finish has an evenly attractive, hard-wearing surface.



Load-bearing capacity

The load limits for all furniture and extras can be found in the load table at:
<https://qrco.de/rauch-belastungstabelle>



Raw materials from nature

In the production of the wood-based materials for our furniture, we rely exclusively on uncontaminated, fresh weak and storm wood from local, sustainable forestry operations. Strict tests by neutral institutes continuously confirm the safety of materials and processes.




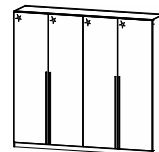
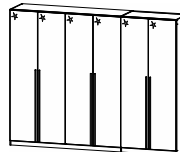
The „Blue Angel“

The German government's eco-label for low-emission furniture that is harmless to health. Articles covered with textiles or artificial leather are excluded.

Award-winning and certified



Front/Carcase	Colour code
Front High polish white/Carcase Alpine white	A9P69

WARDROBES			Hinged door wardrobes										
<p>See rauch BLUE Accessories 2.0 for wardrobe accessories.</p> <p>*Important! Design constraints necessitate a shelf thickness of 2.2 cm on unit widths of 112.5 cm..</p>													
								hinged door wardrobe		hinged door wardrobe		hinged door wardrobe	
								4-door		4-door		6-door	
								↔181 cm †210 cm ↗54 cm		↔226 cm †210 cm ↗54 cm		↔271 cm †210 cm ↗54 cm	
Article	Price	4869	4251	4274									

