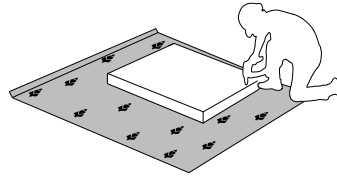
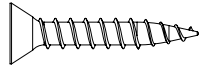
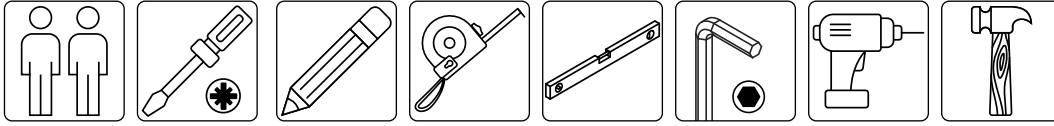
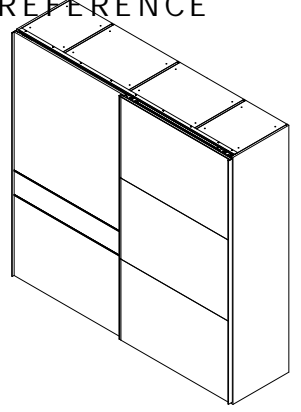


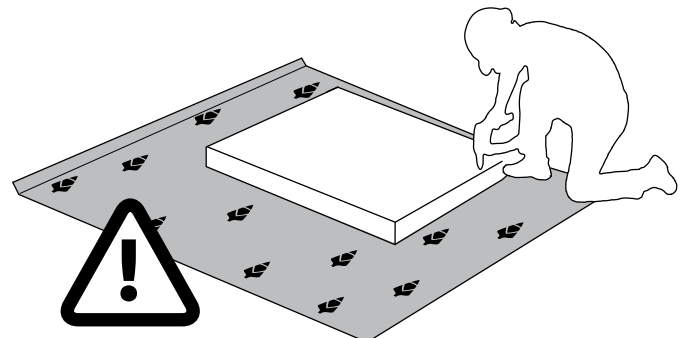


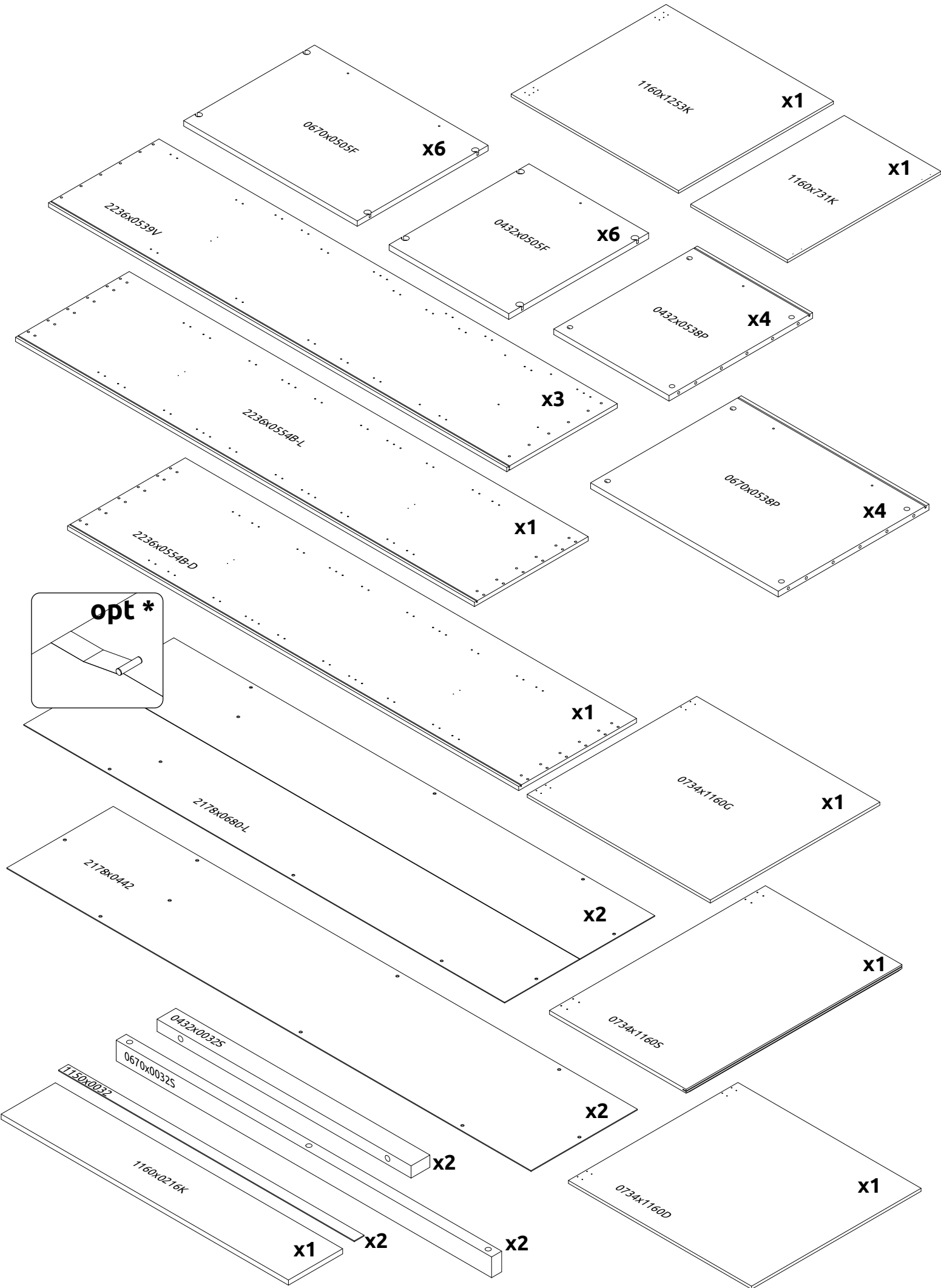
IMPORTANT - READ CAREFULLY - RETAIN FOR FUTURE REFERENCE
 WICHTIG - SORGFÄLTIG LESEN UND AUFBEWAHREN

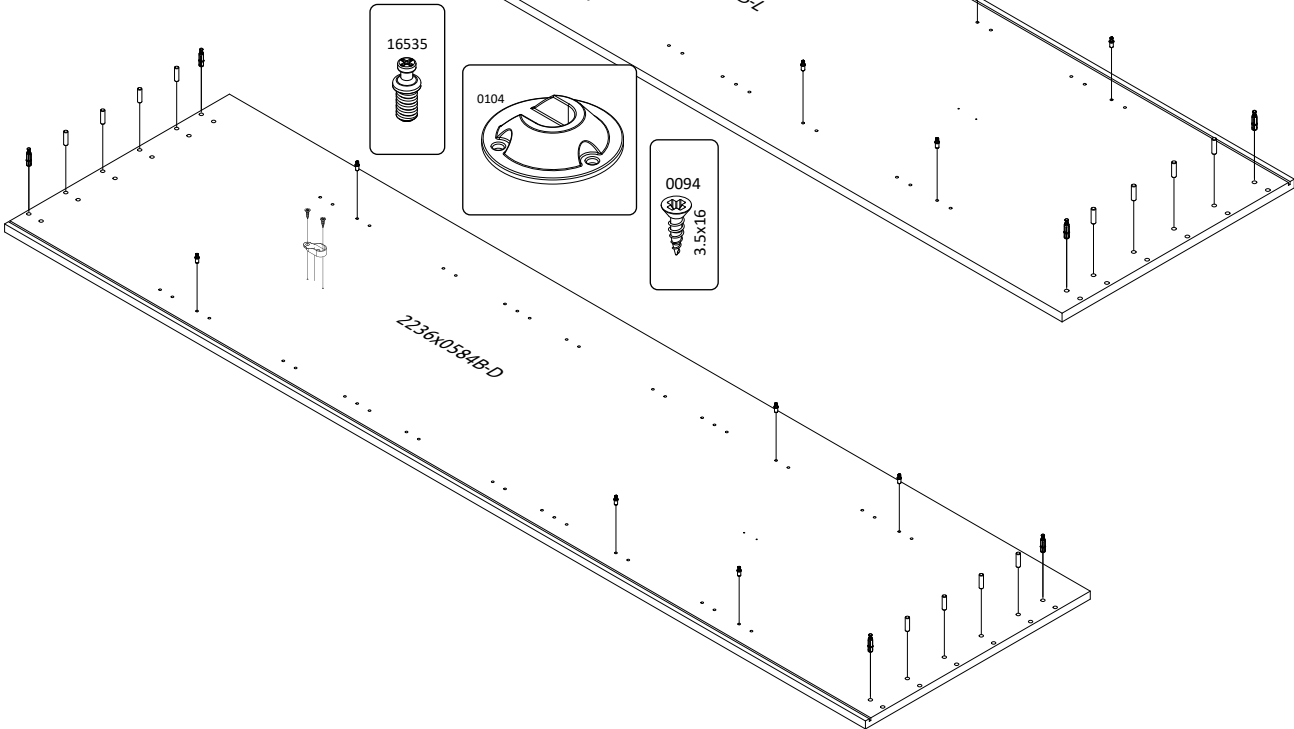
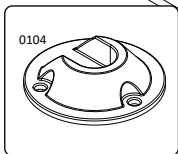
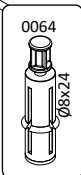
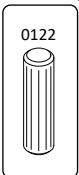
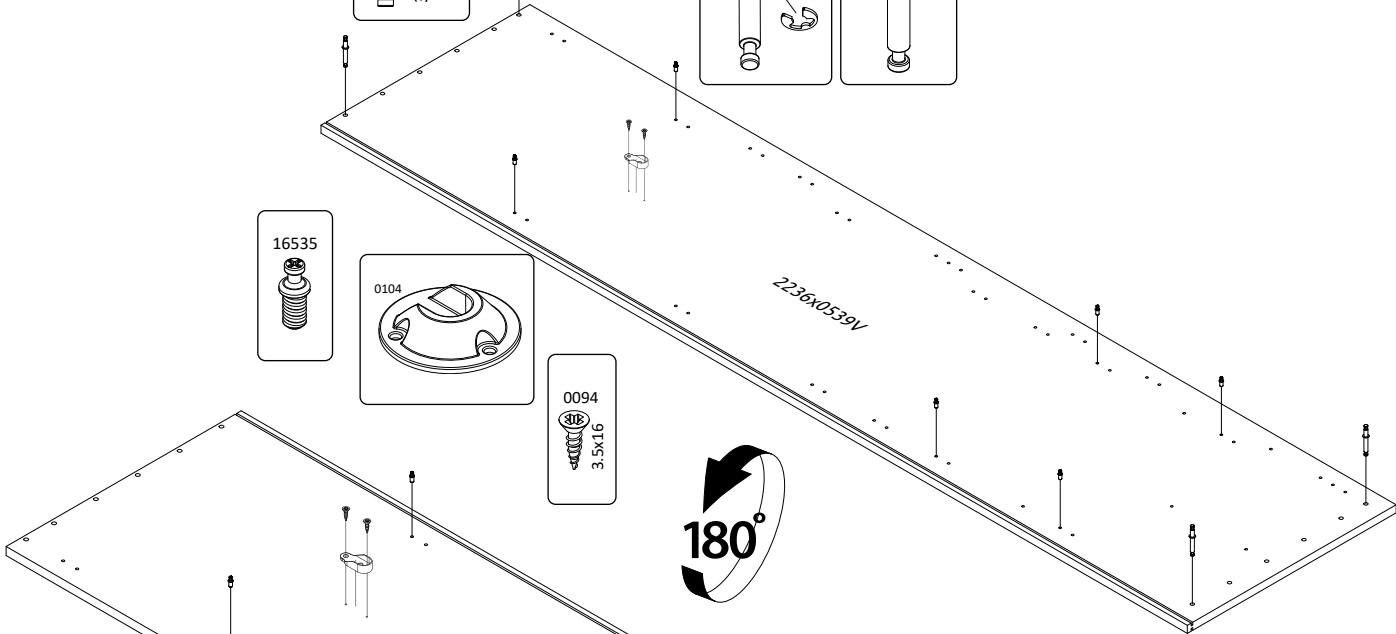
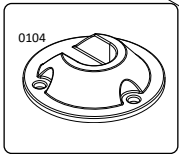
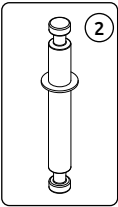
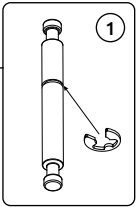
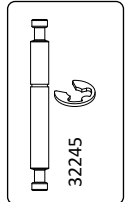


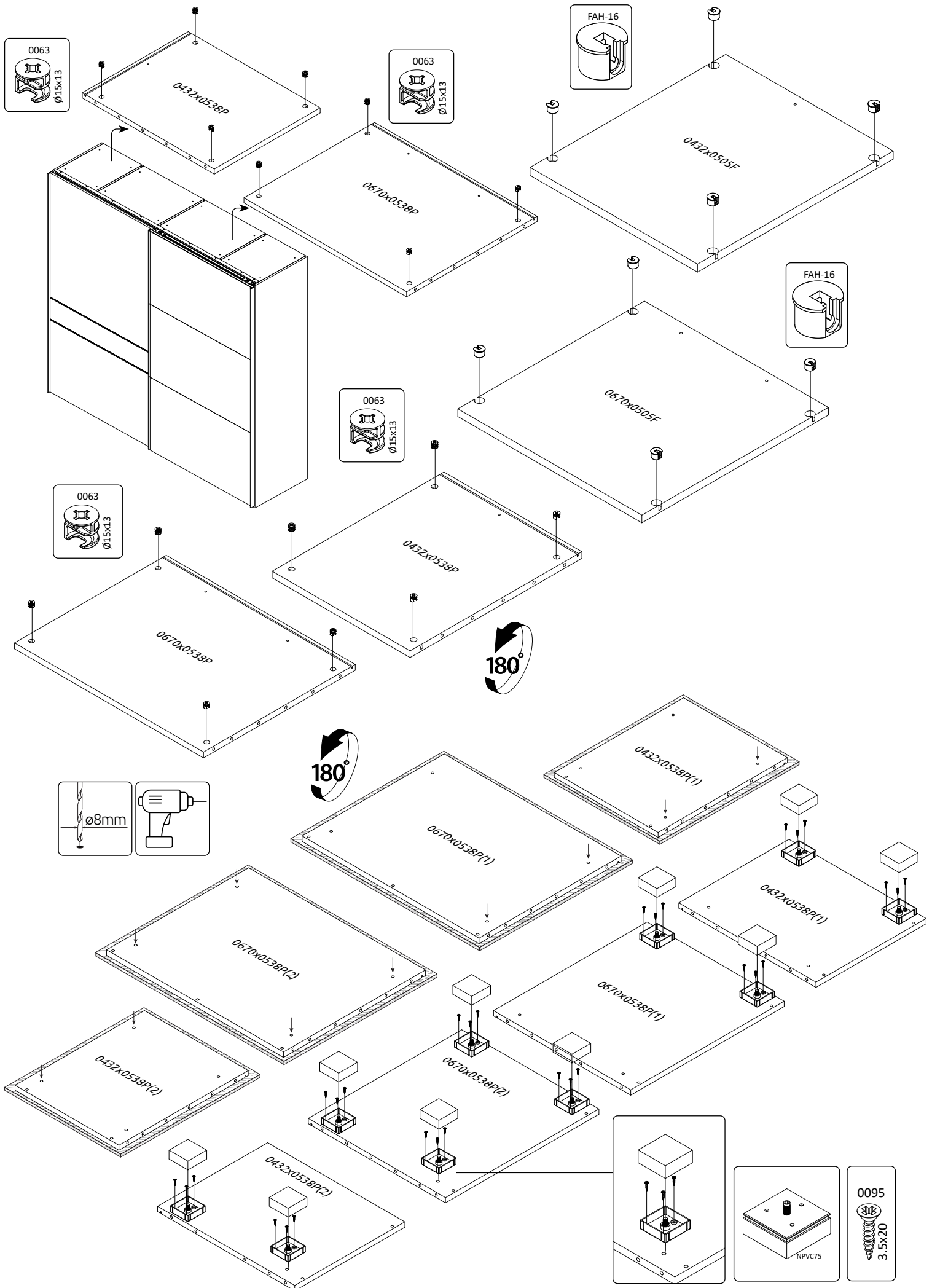
PK231-OG/GL
 LWH - 2294x611x2236

- | | | | | | | | | | | |
|-------------------------|----------------------------------|--------------------------------|-------------------------|------------------------|----------------------------|-------------------------------|----------------------------------|-----------------------------------|--------------------------------|--|
| x42
2149
 | x32
0063
Ø15x13
 | x8
0064
Ø8x24
 | x48
16535
 | x16
0102
 | x32
EKSK4-BE
 | x2
2114
4x35
 | x90
0094
3.5x16
 | x52
31777
4.2x16
 | x13
0096
4x18
 | |
| x2
1321
 | x2
31533
 | x2
36918
 | x2
26102
 | x1
46944
 | x1
46947
 | x1
0113
GLUE
 | | | | |
| x2
32286
 | x1
46950
 | x10
NPVC75
 | x1
46953
 | | | | | | | |
| x28
CEP8
 | x48
FAH-16
 | x50
0122
 | x12
32245
 | | | | | | | |
| x8
0104
 | x2
10397
 | | | | | | | | | |
| x42
36894
 | | | | | | | | | | |

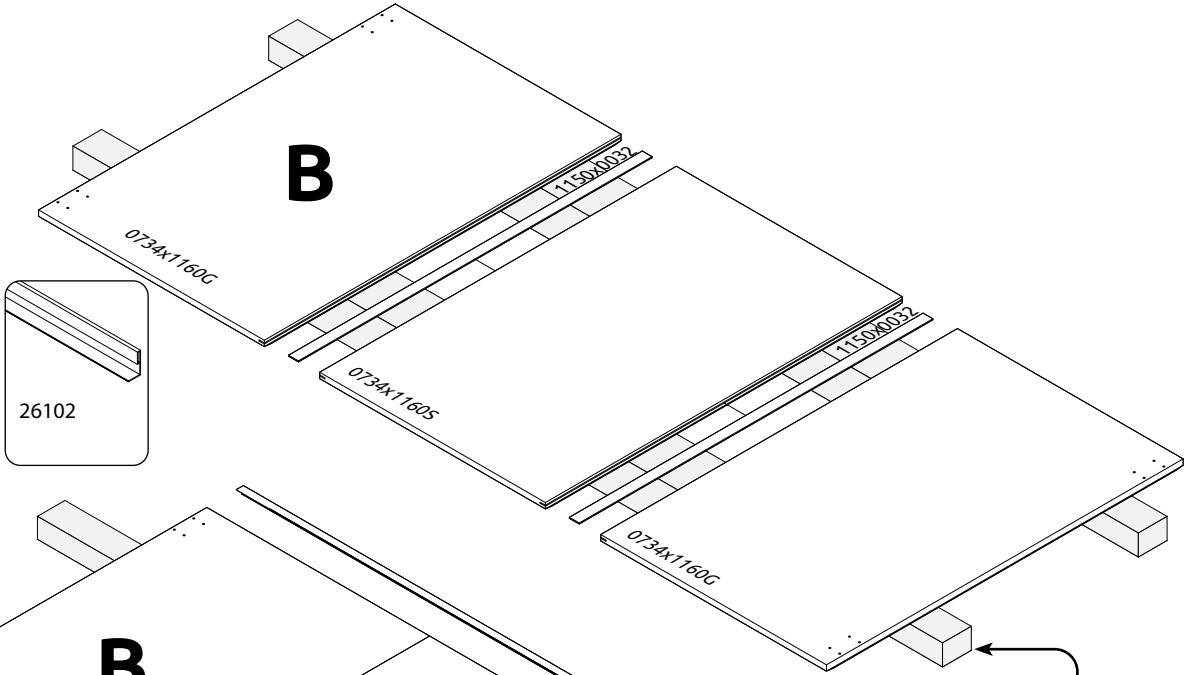




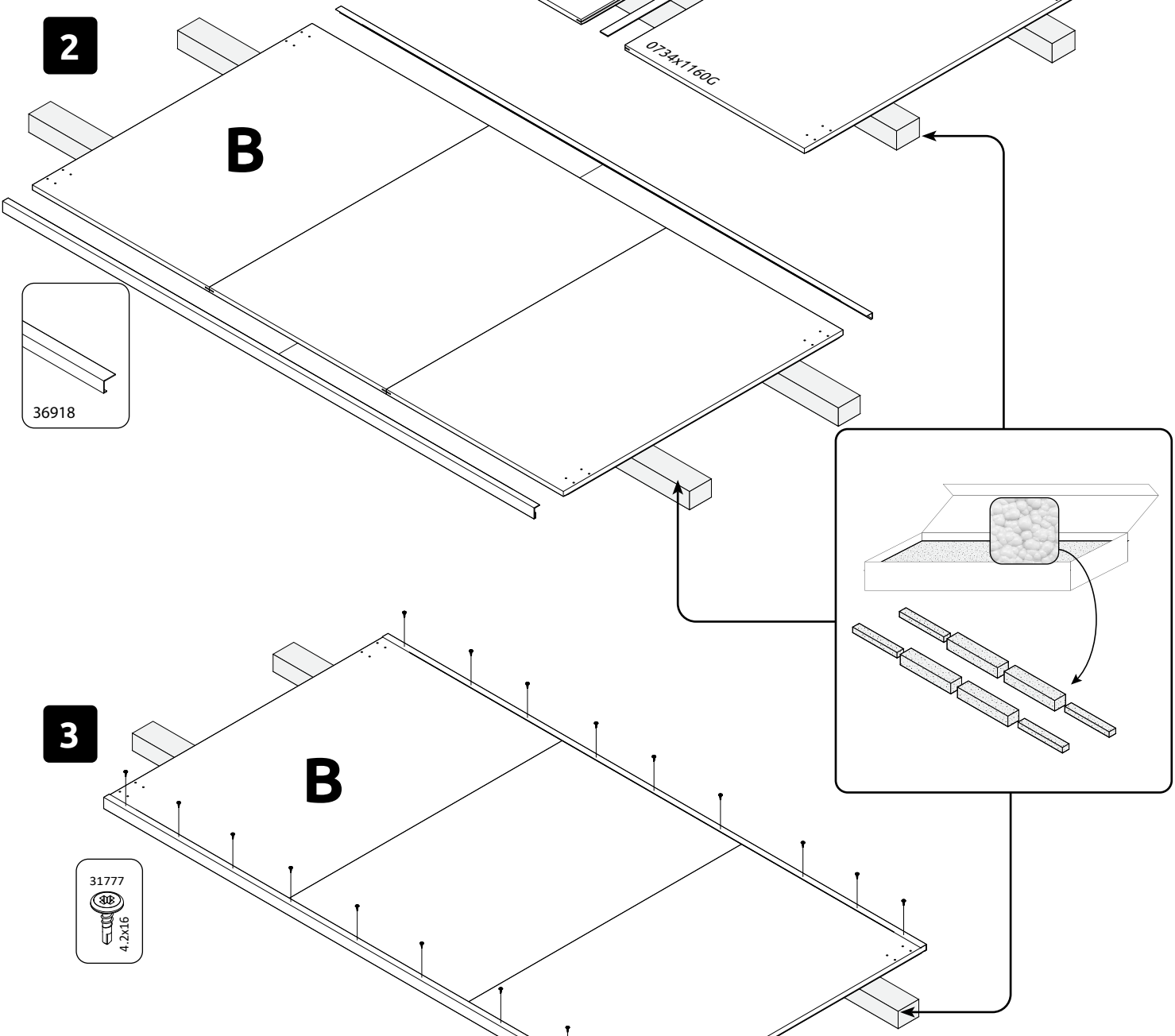




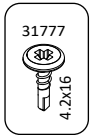
1



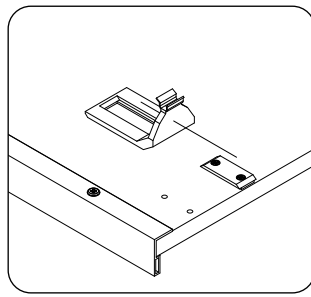
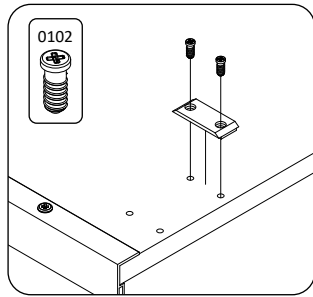
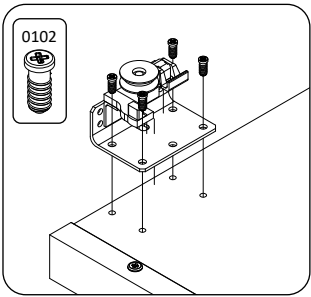
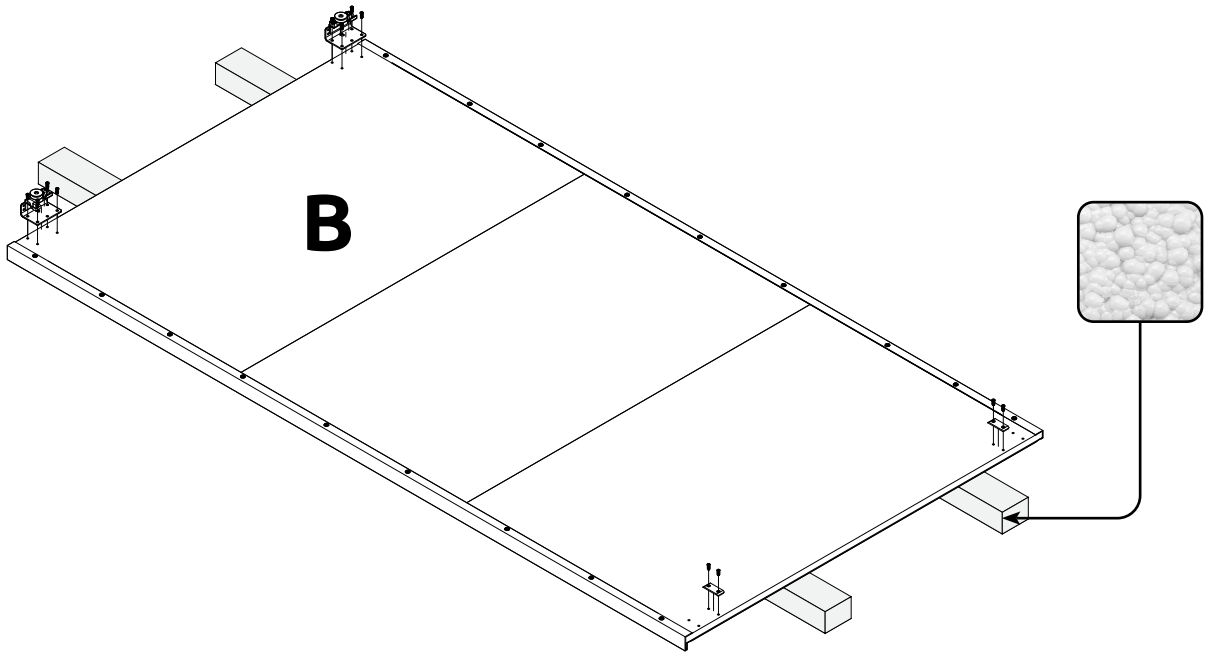
2



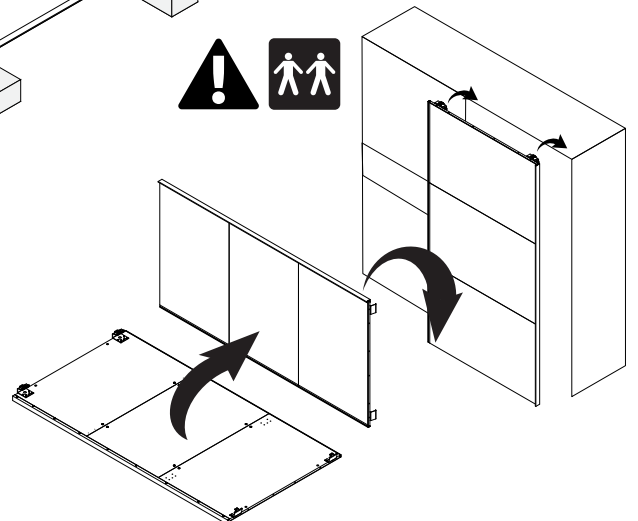
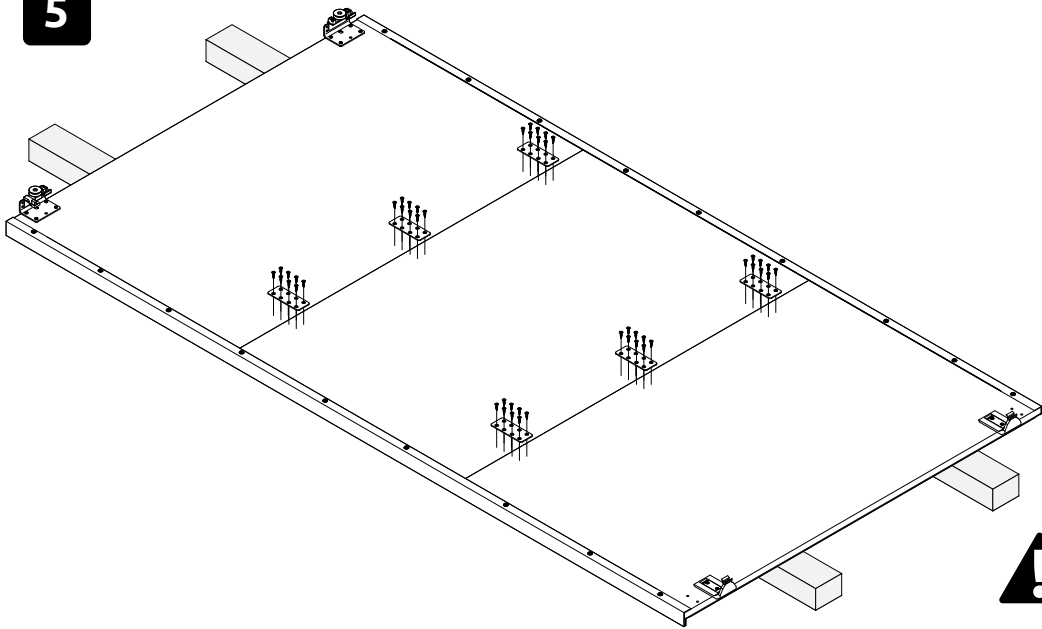
3



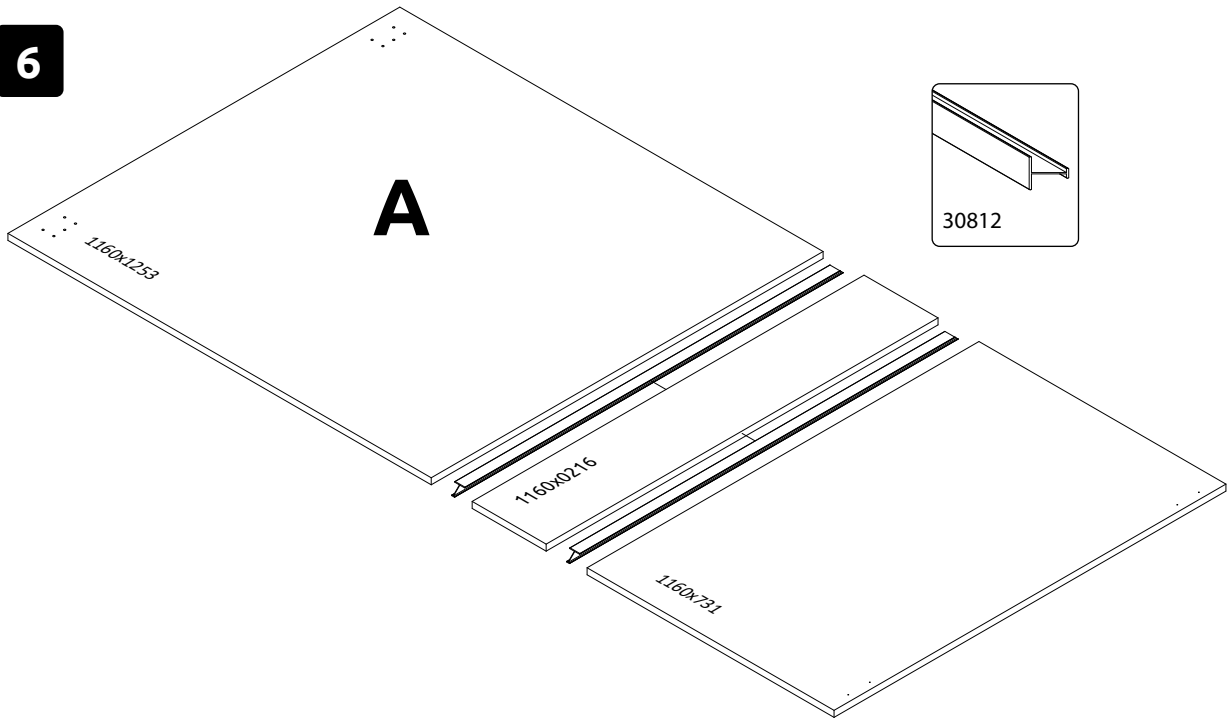
4



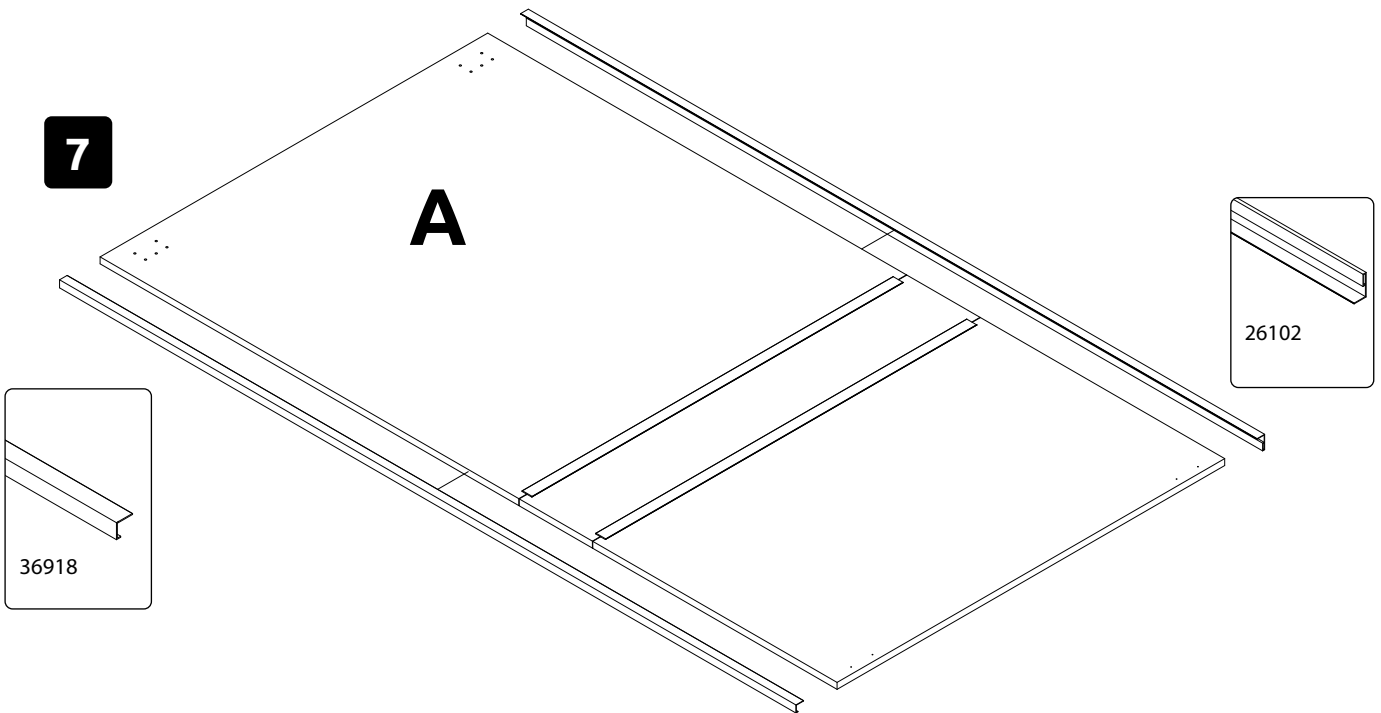
5



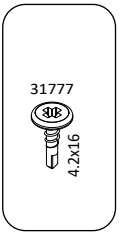
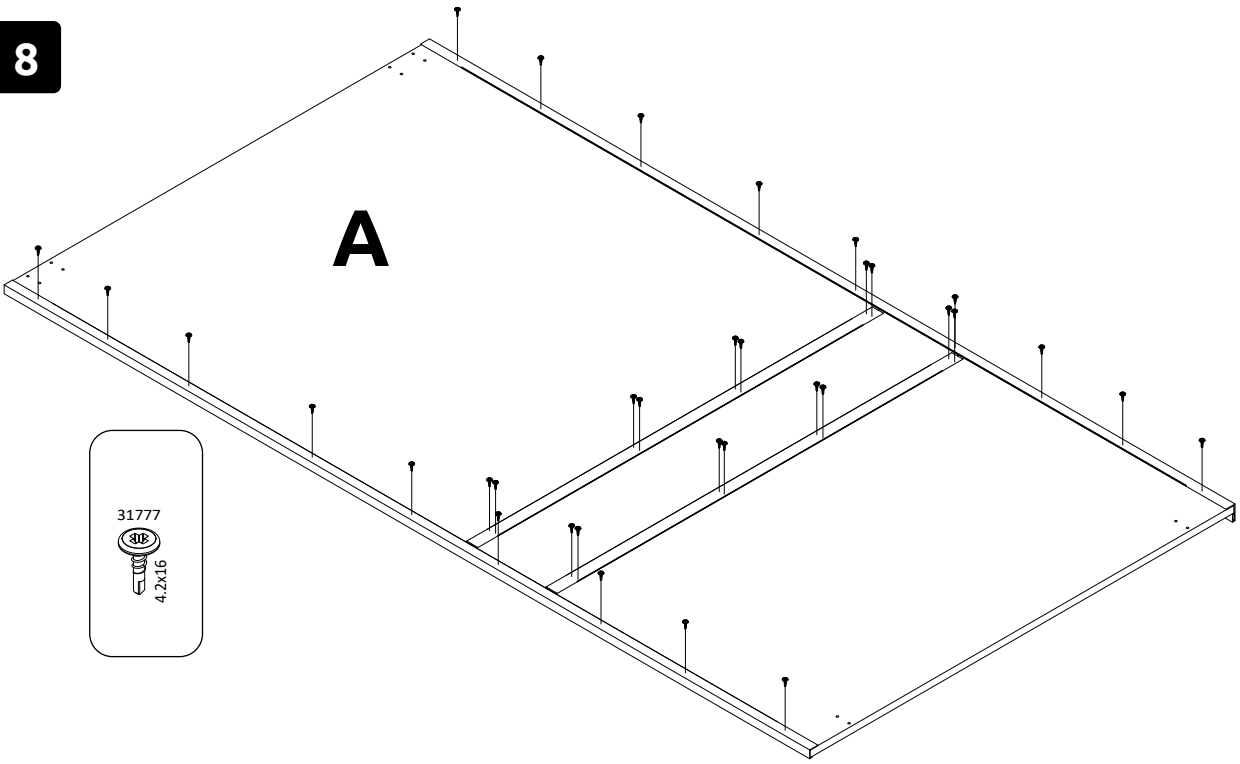
6



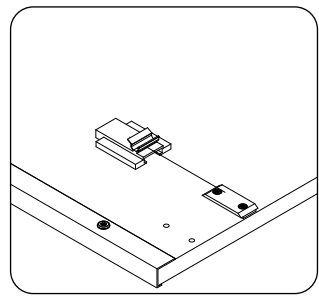
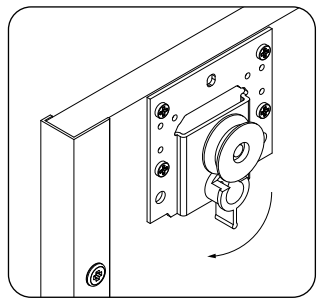
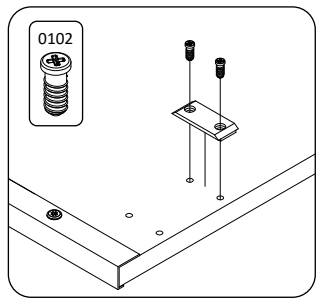
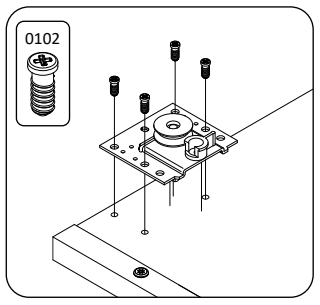
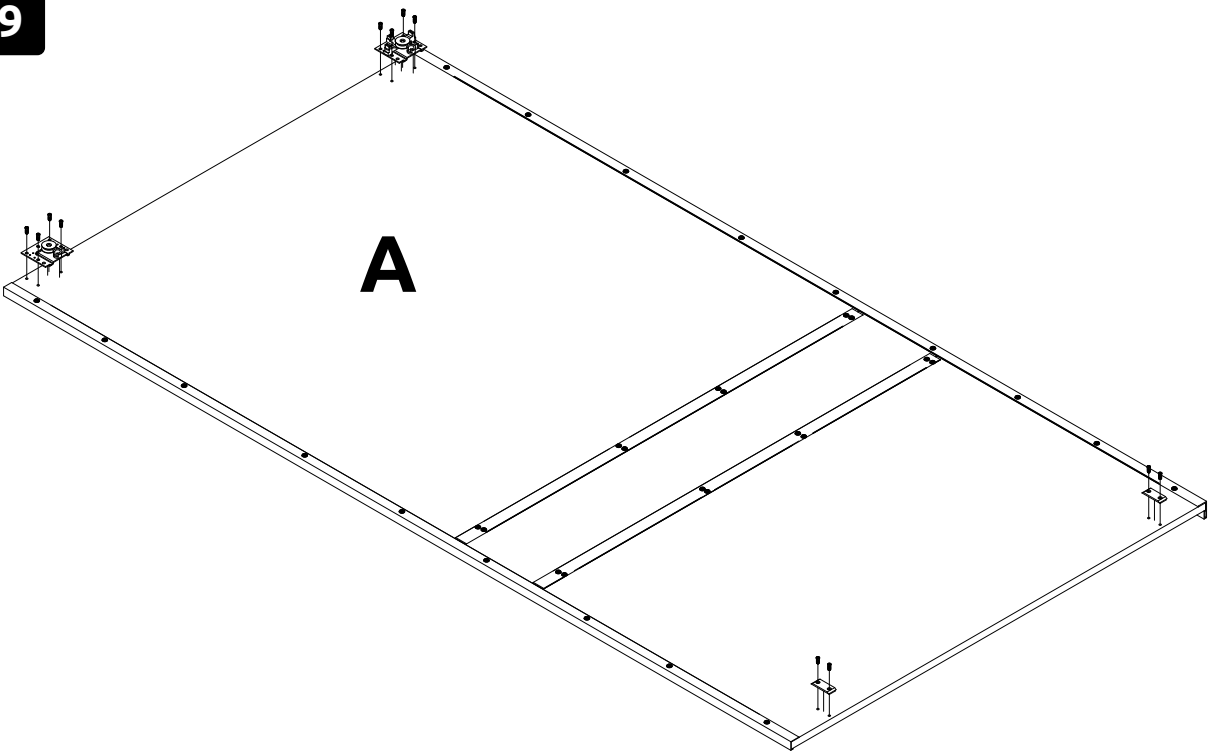
7



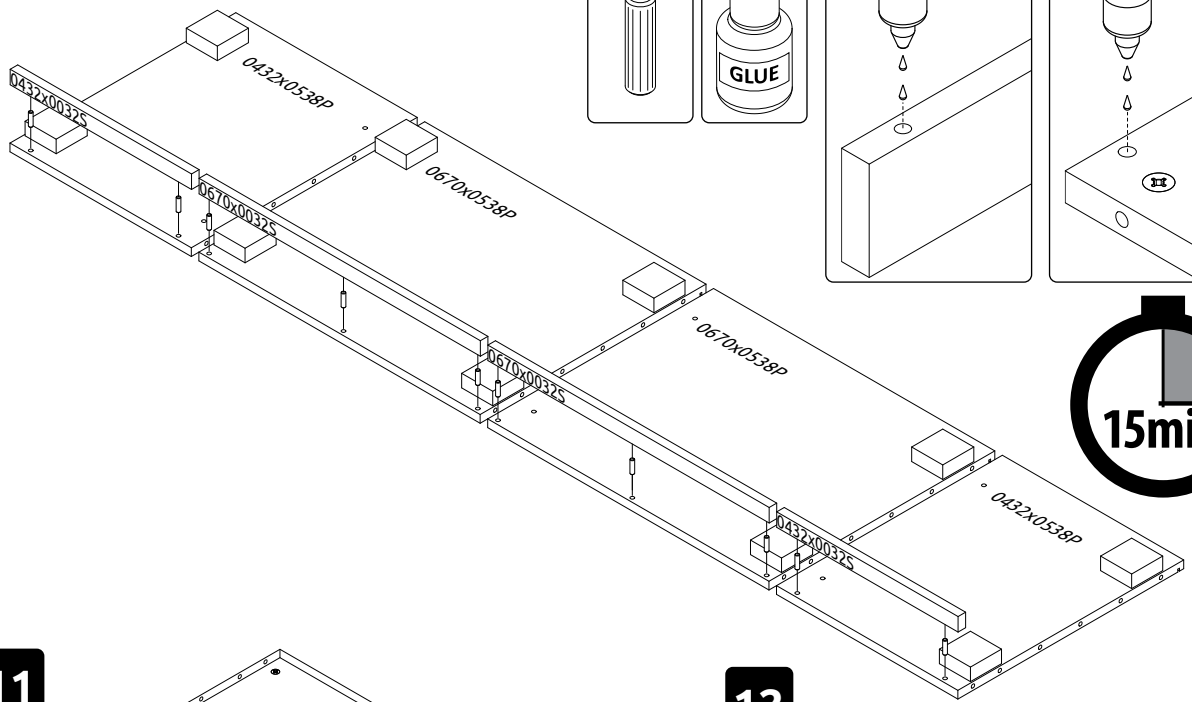
8



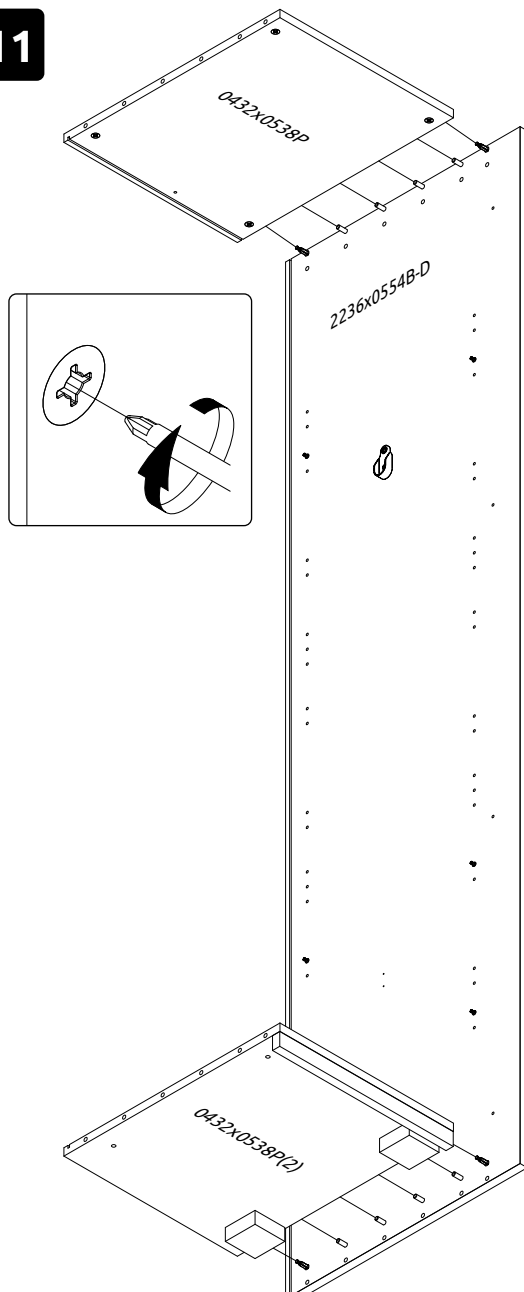
9



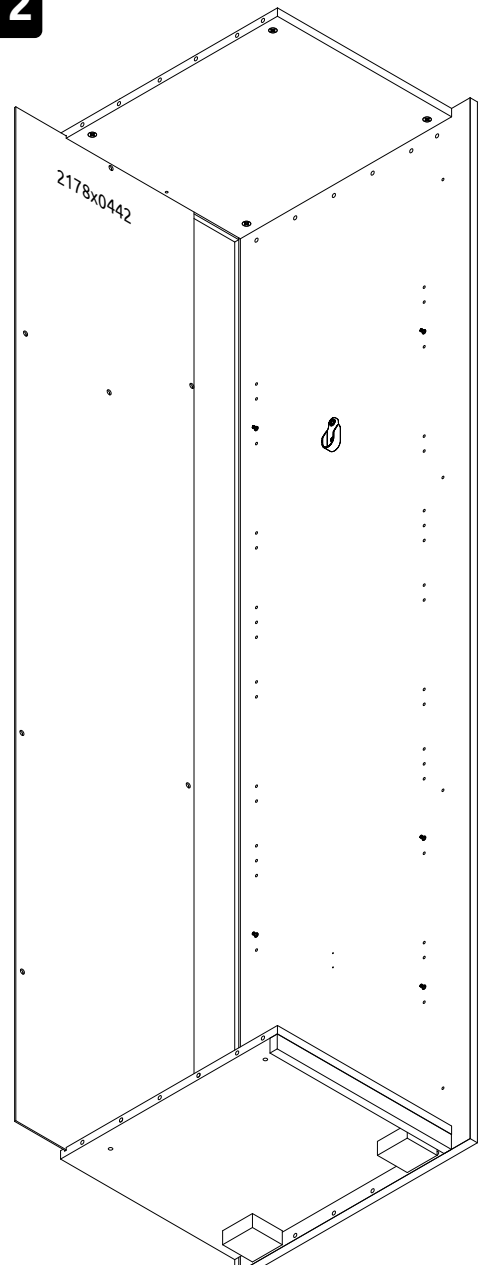
10



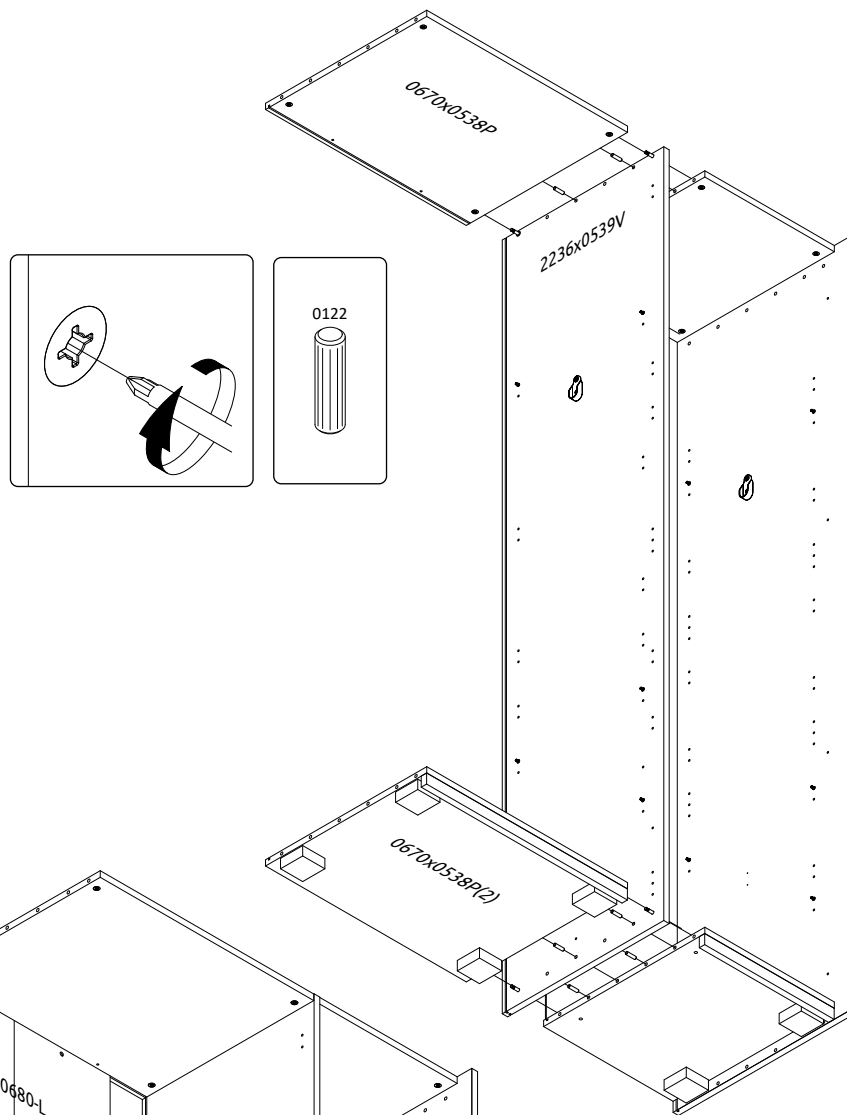
11



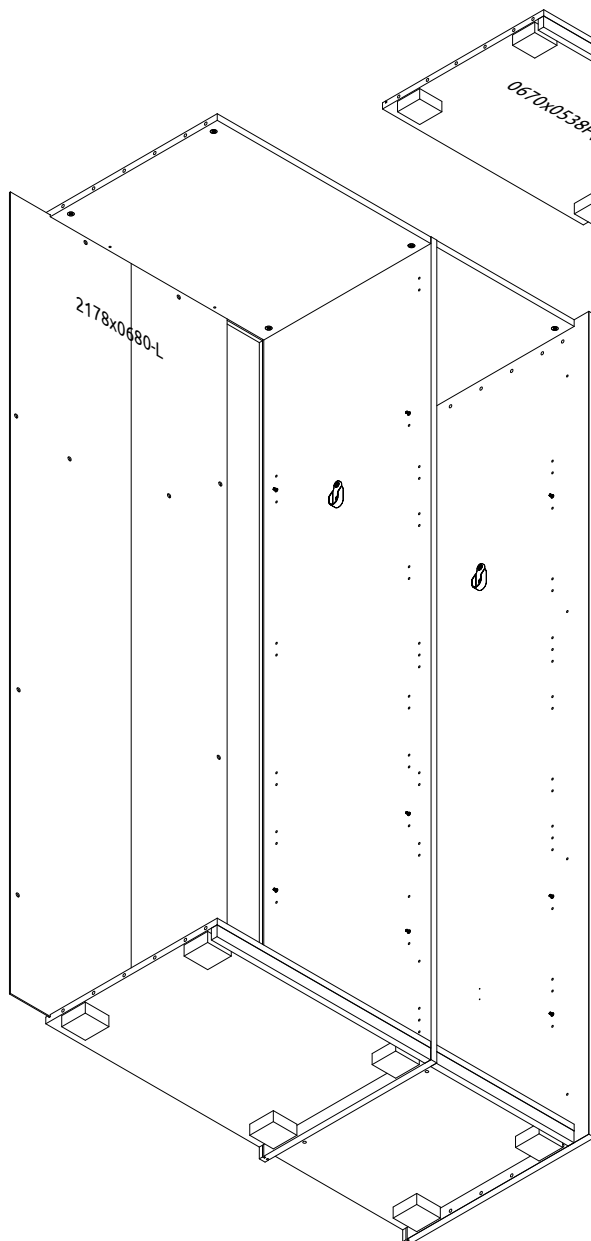
12



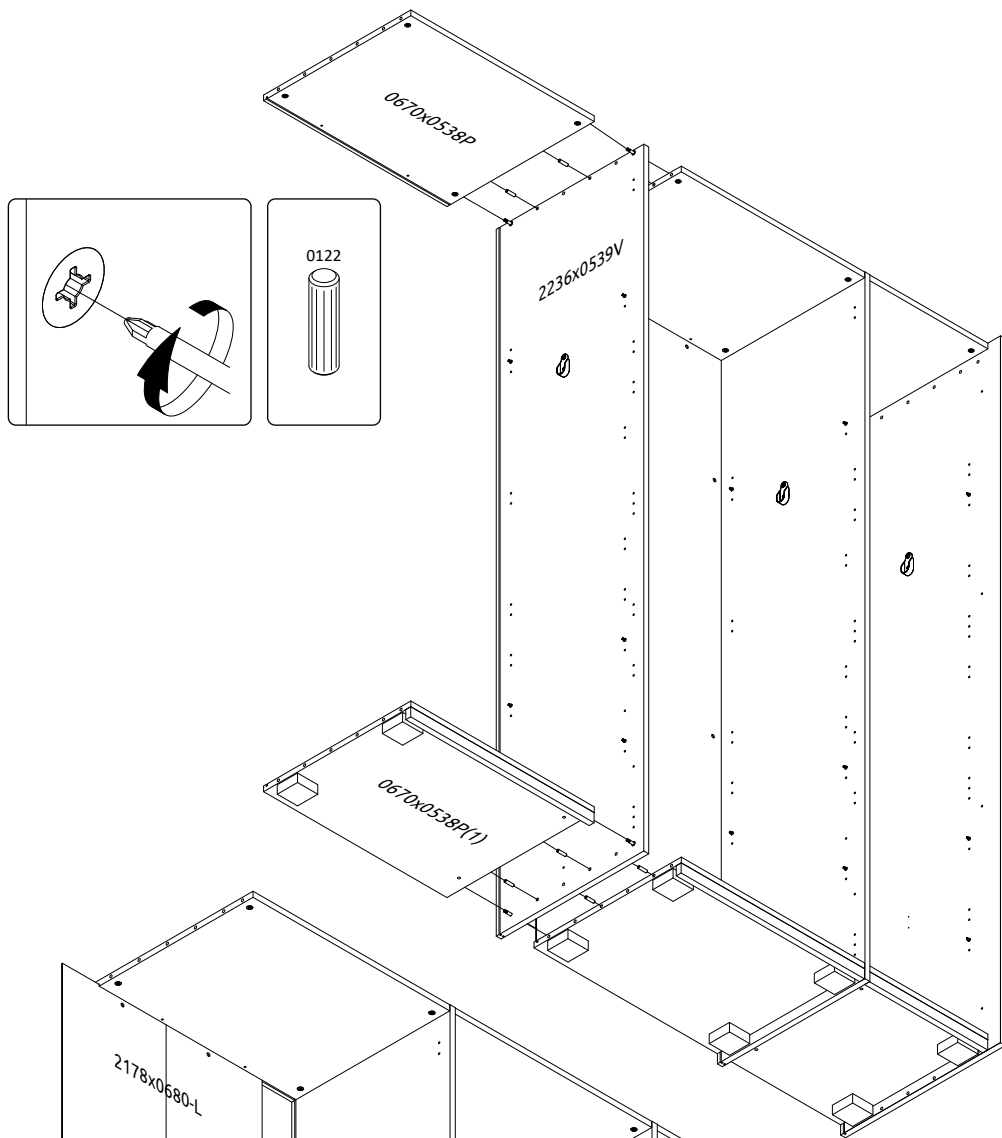
13



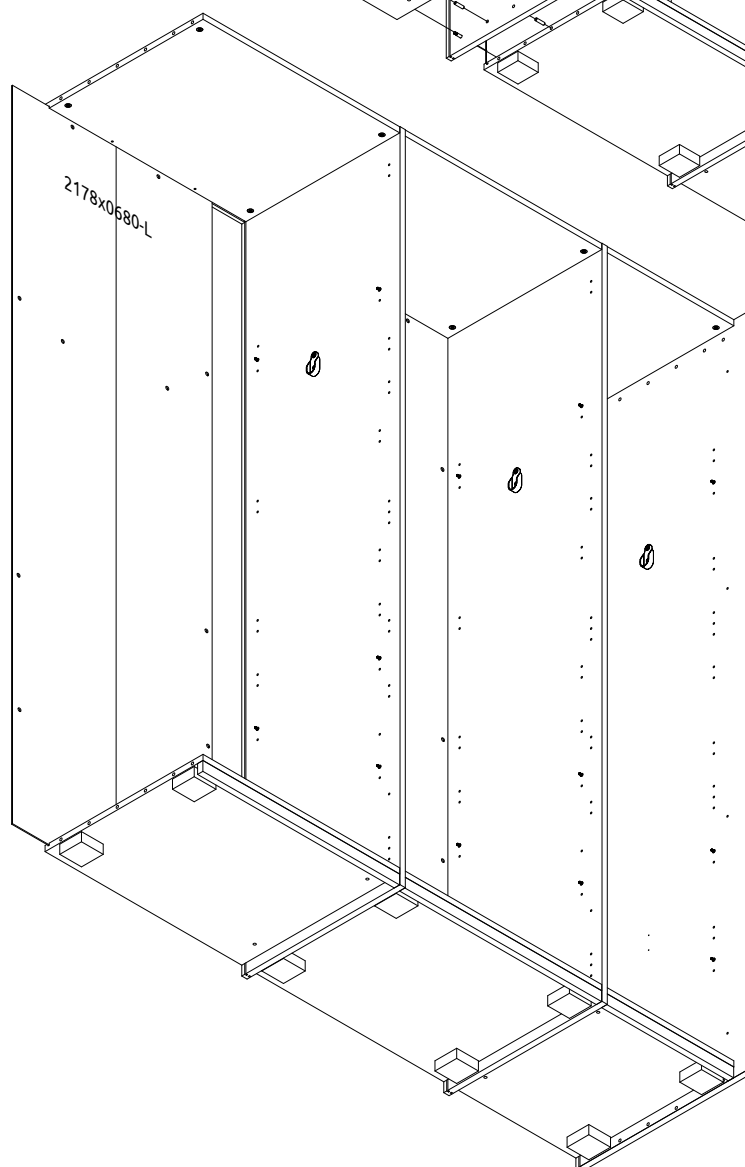
14



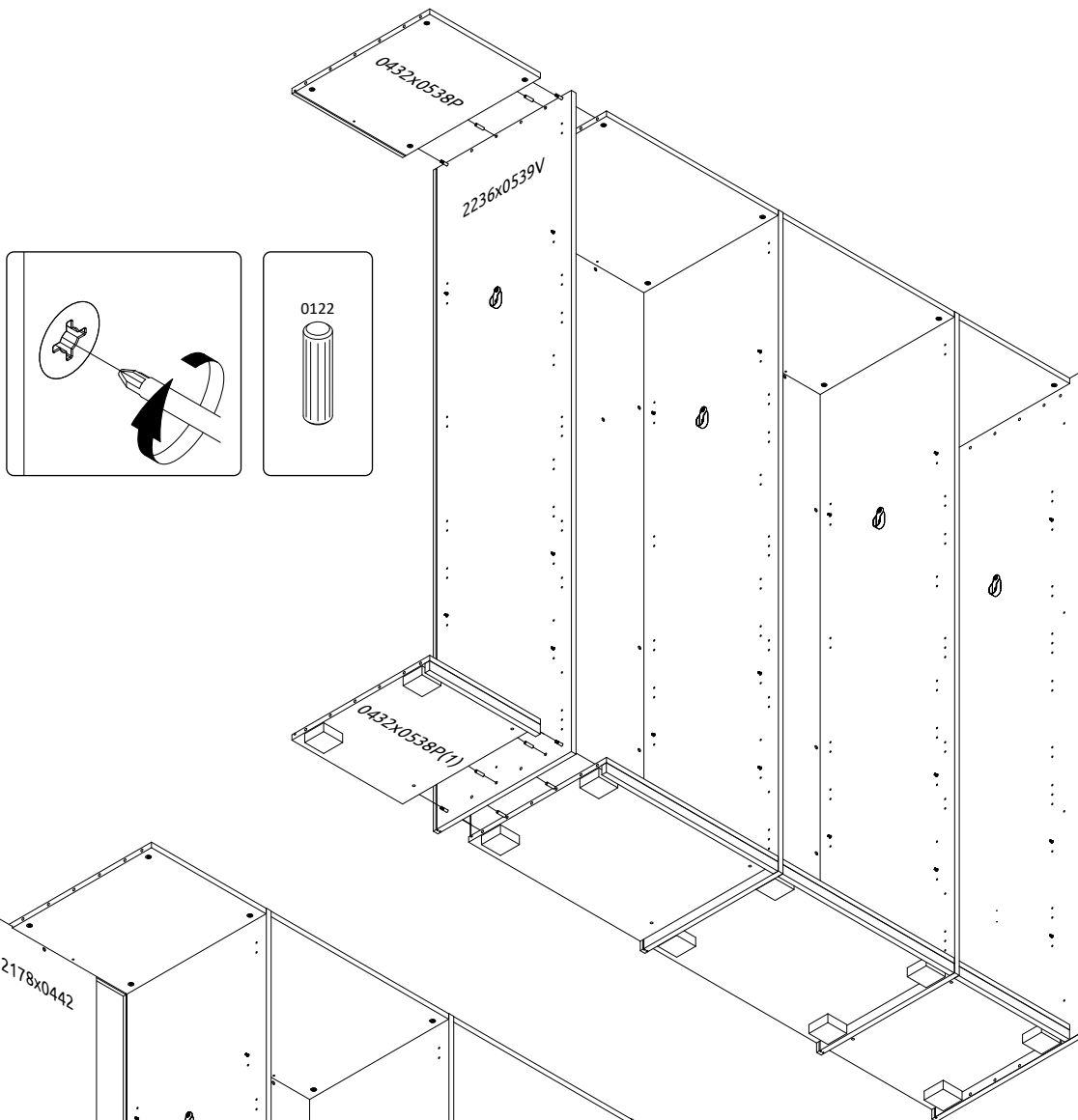
15



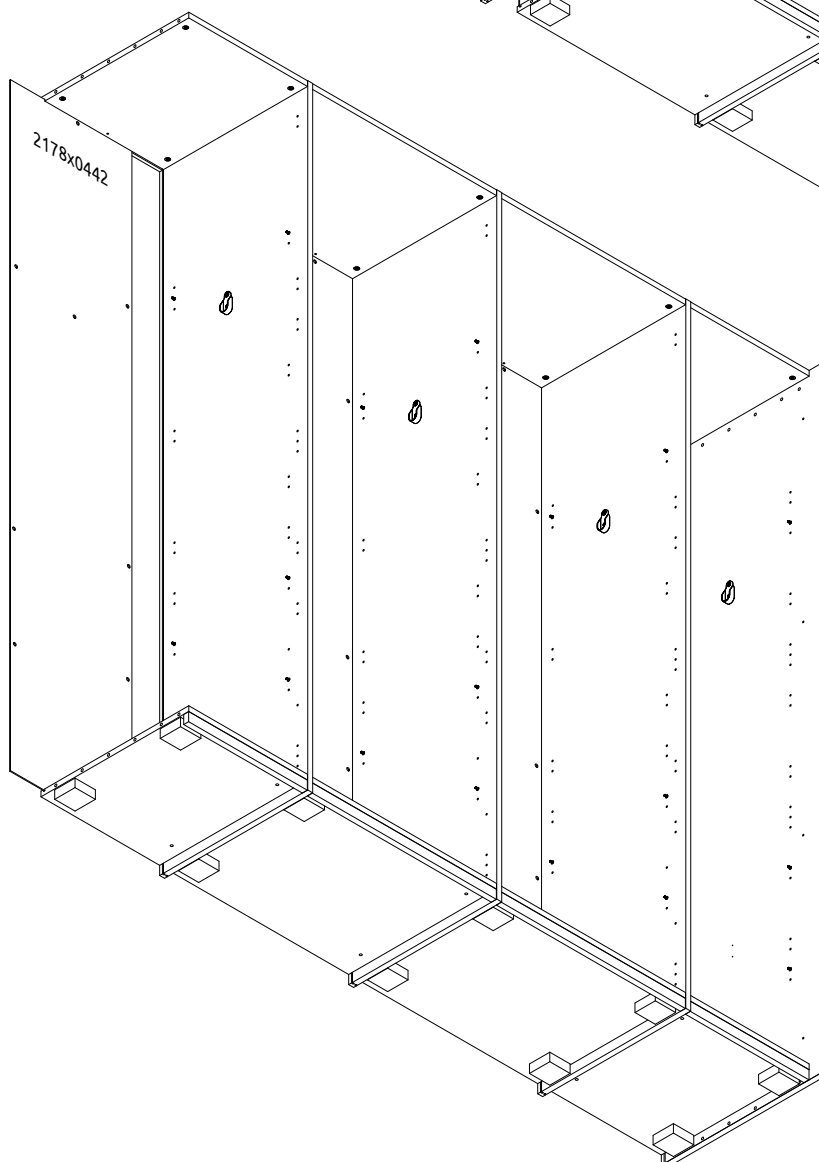
16



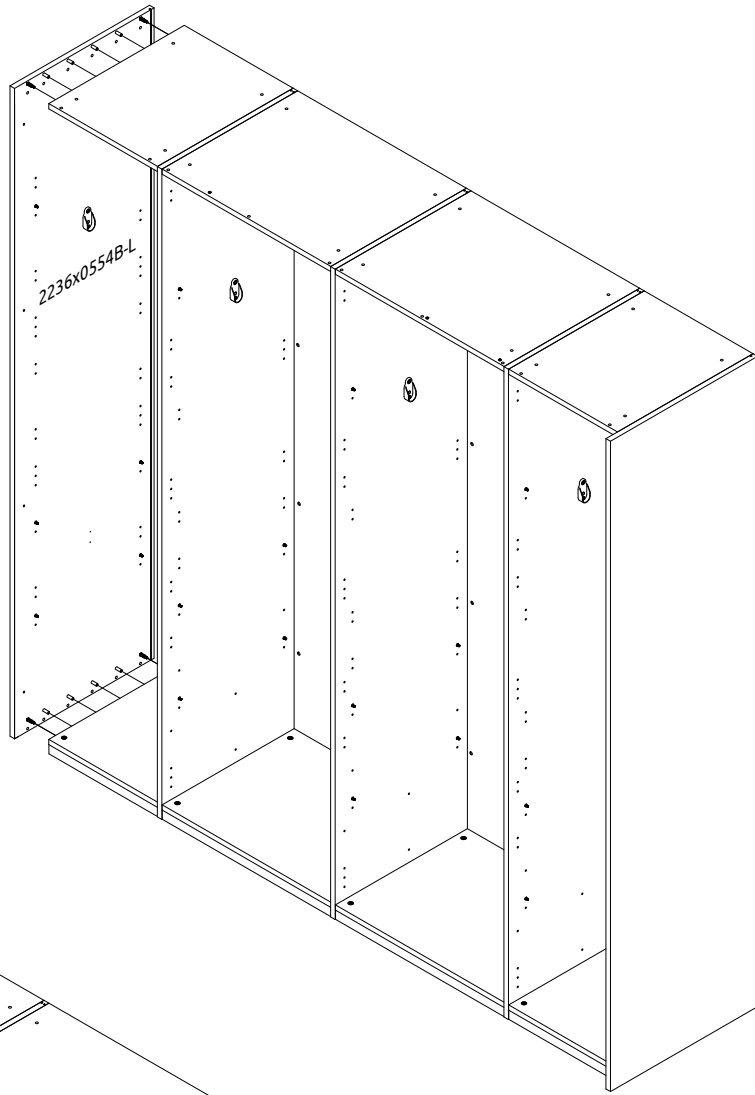
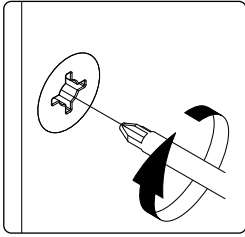
17



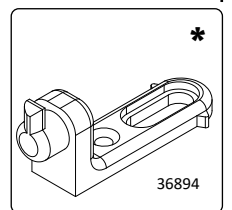
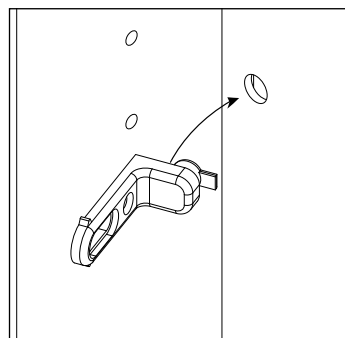
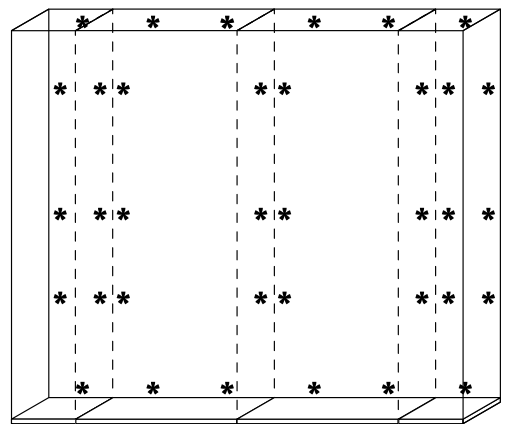
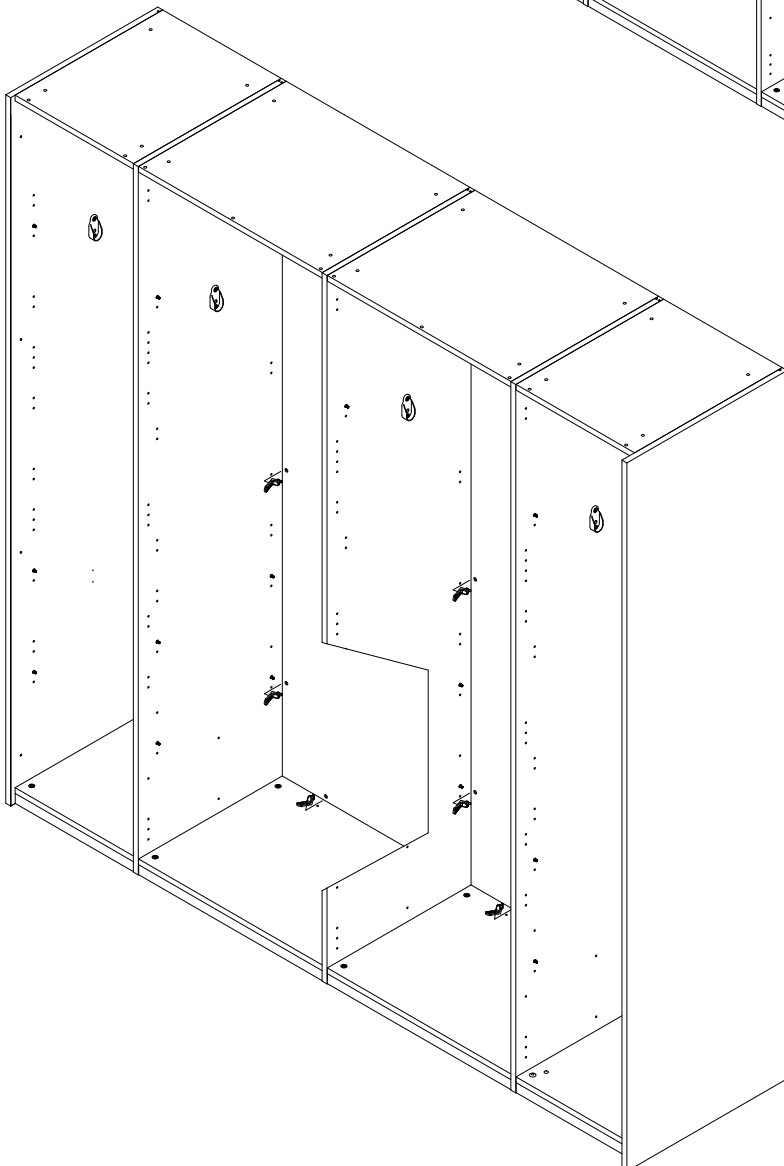
18



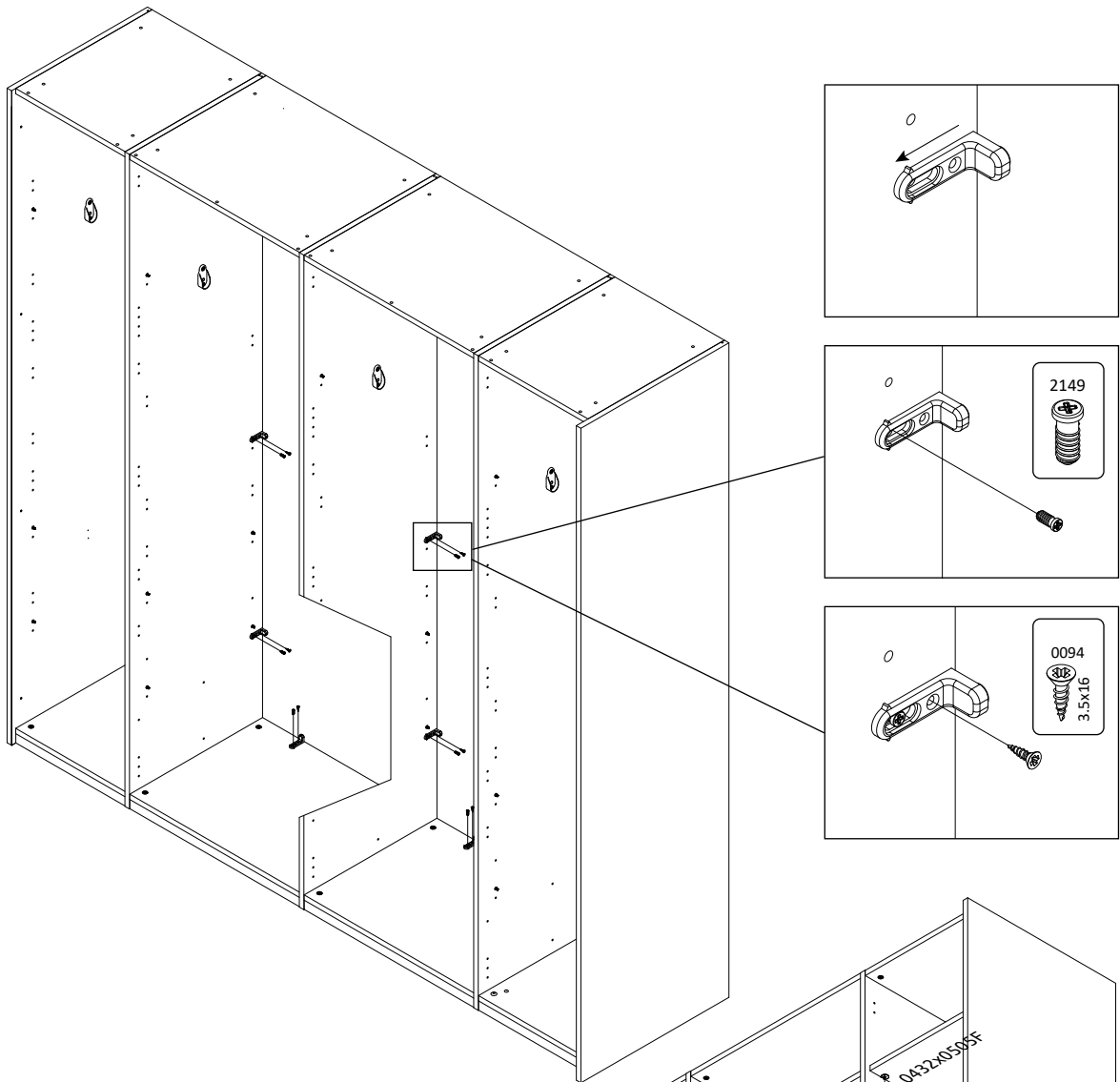
19



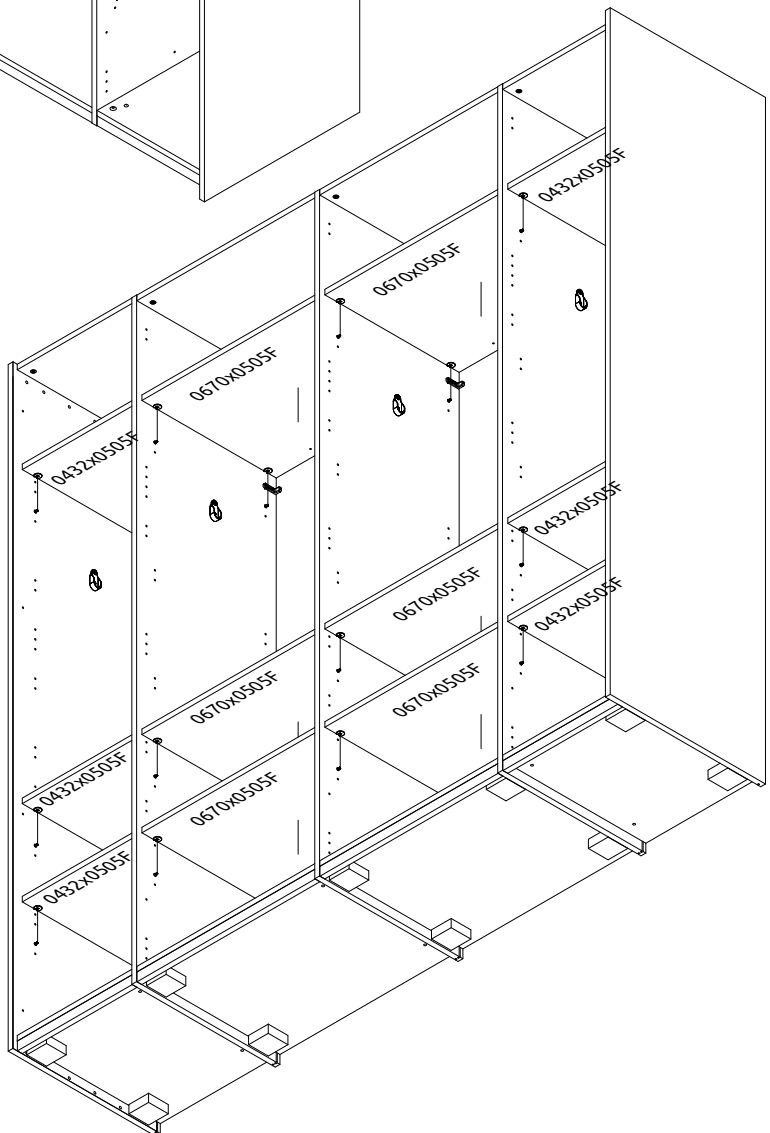
20



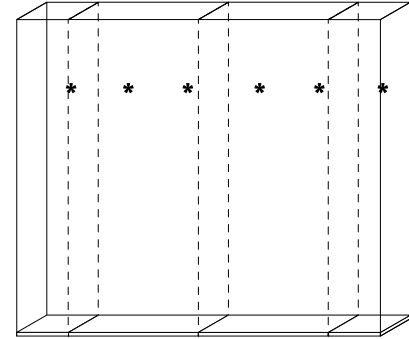
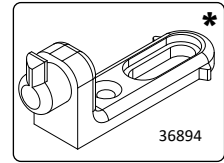
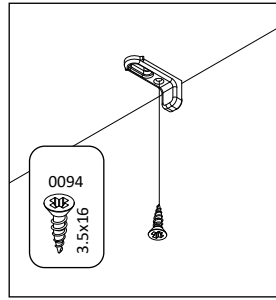
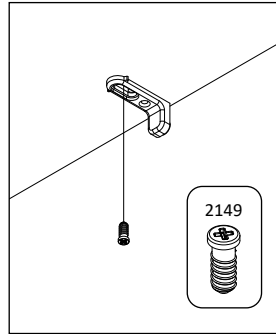
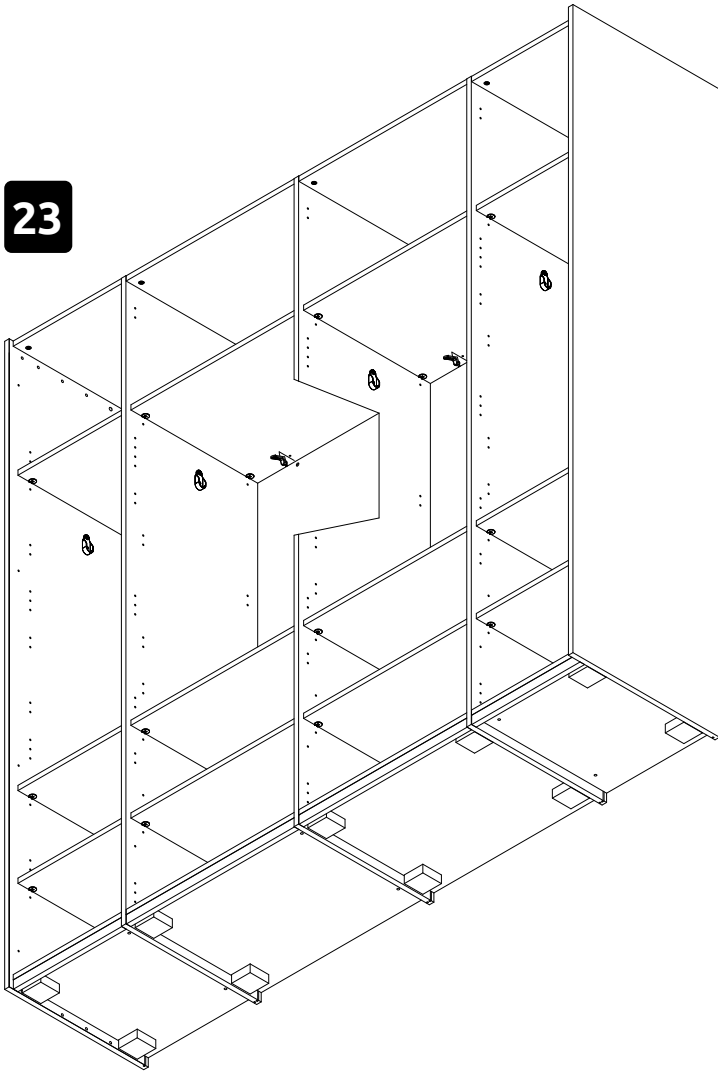
21



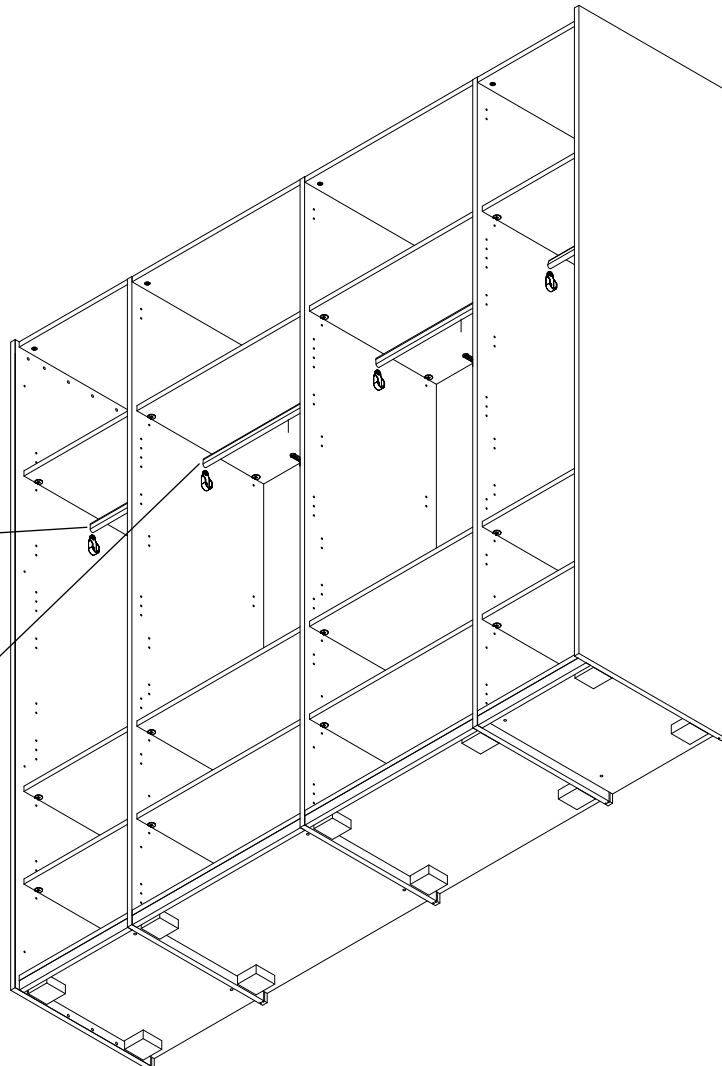
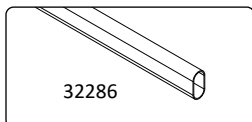
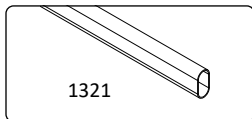
22



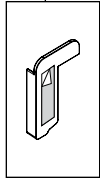
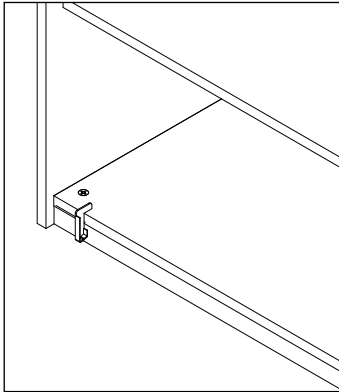
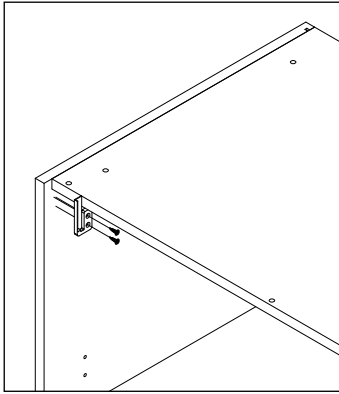
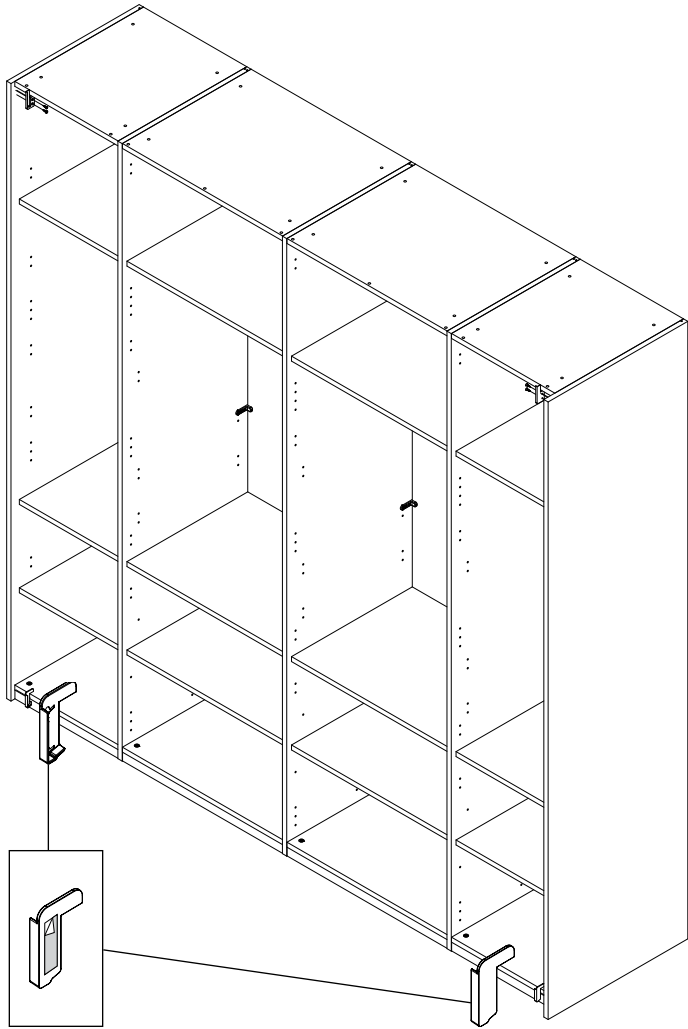
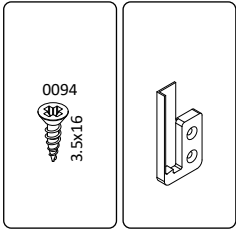
23



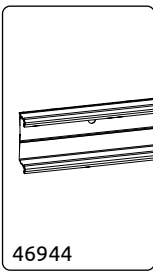
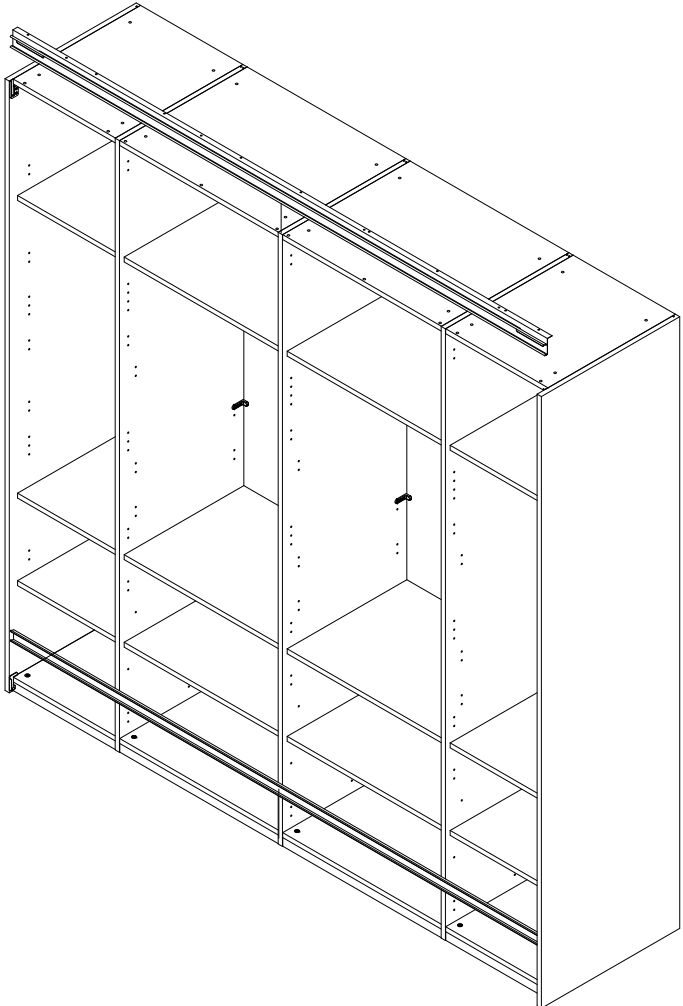
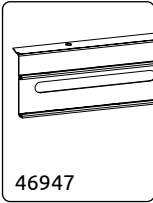
24



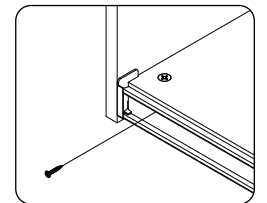
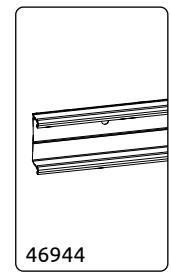
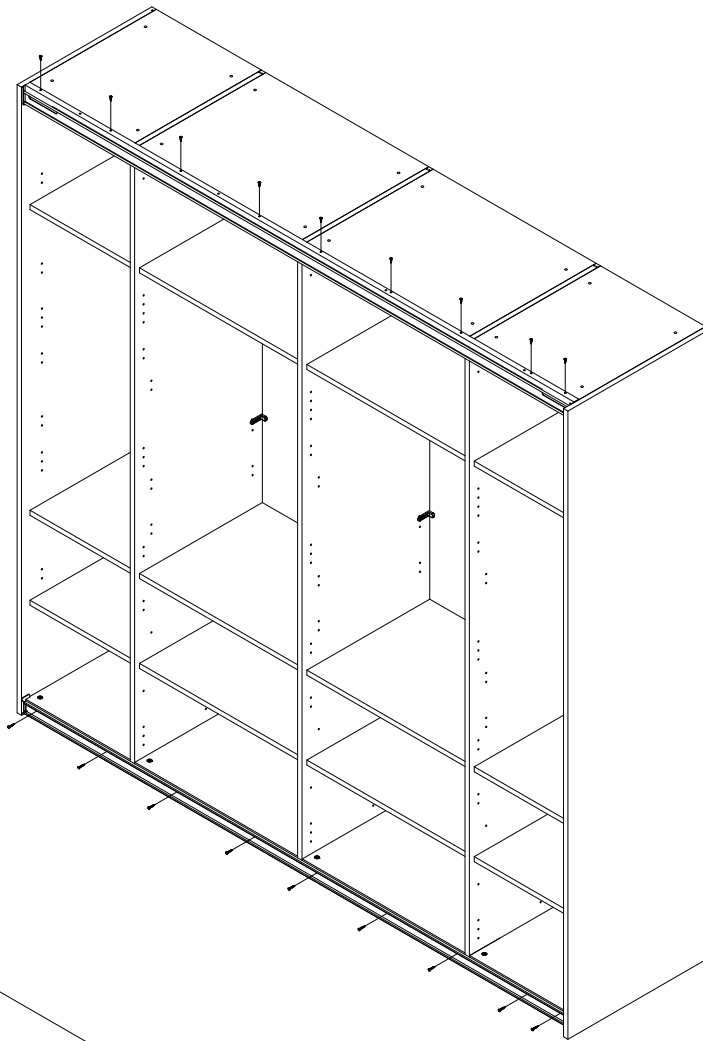
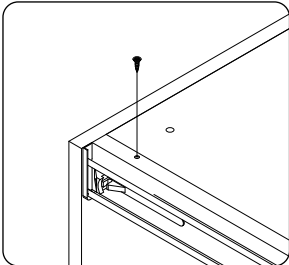
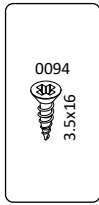
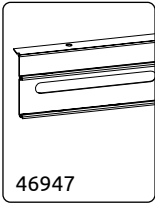
25



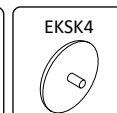
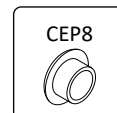
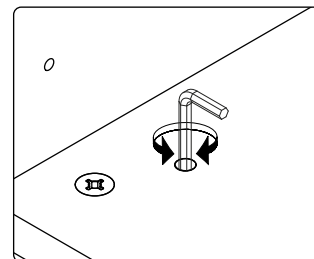
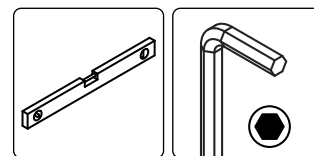
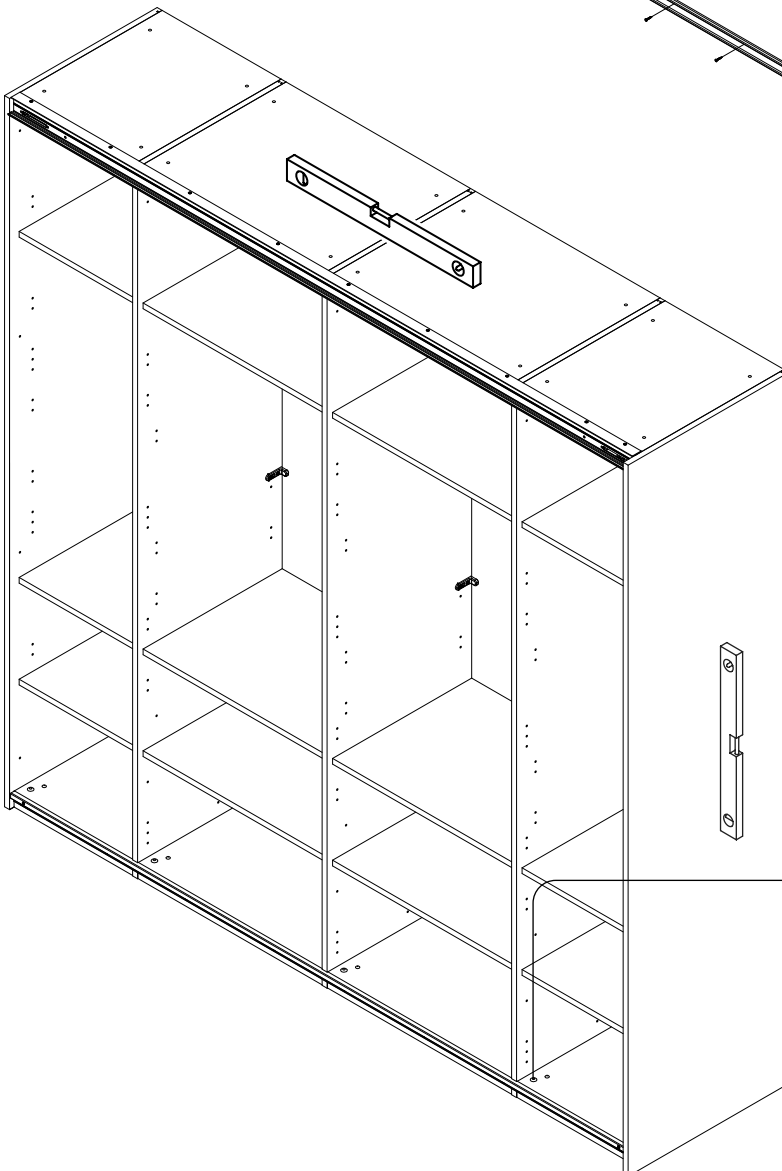
26



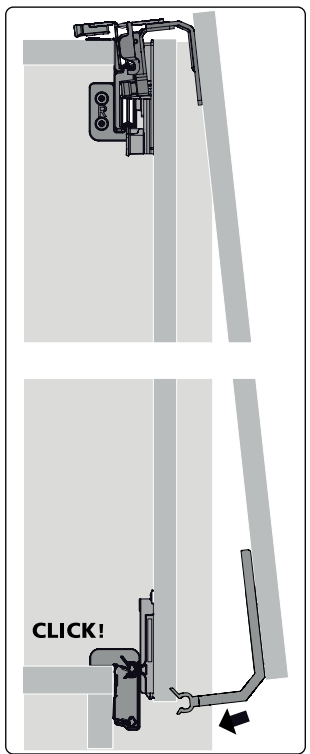
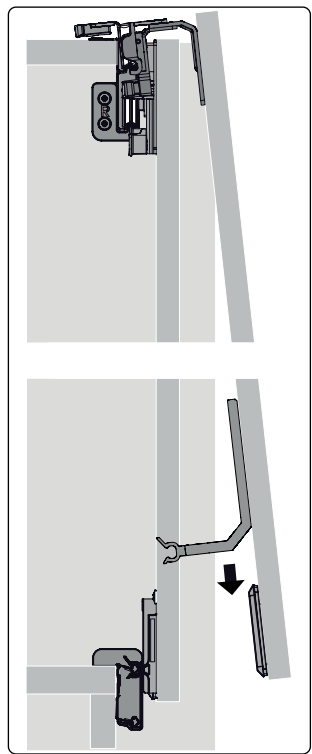
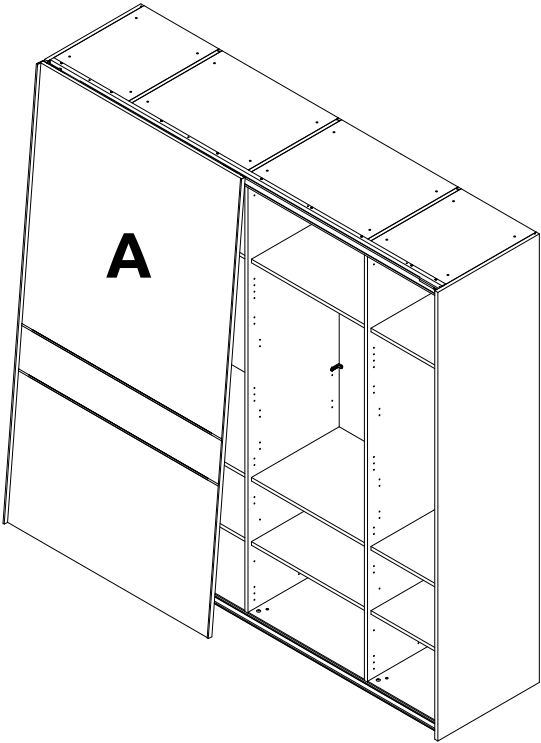
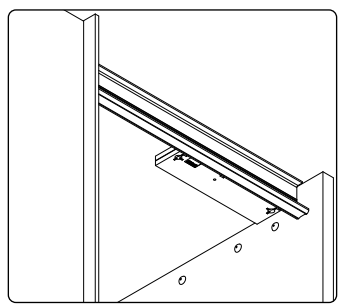
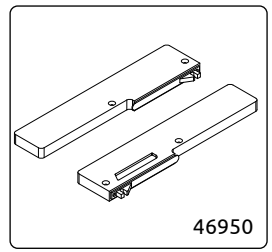
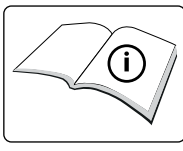
27



28



29



30

