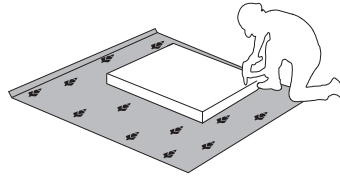
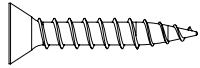
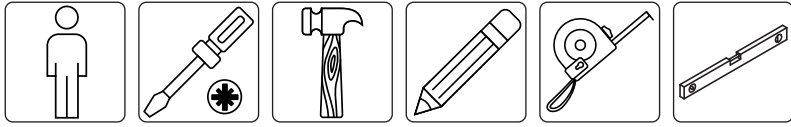
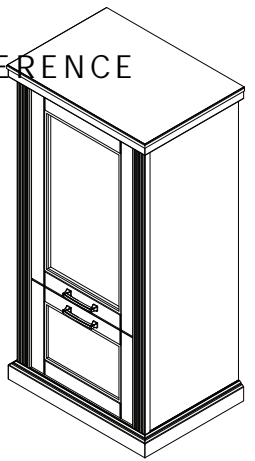


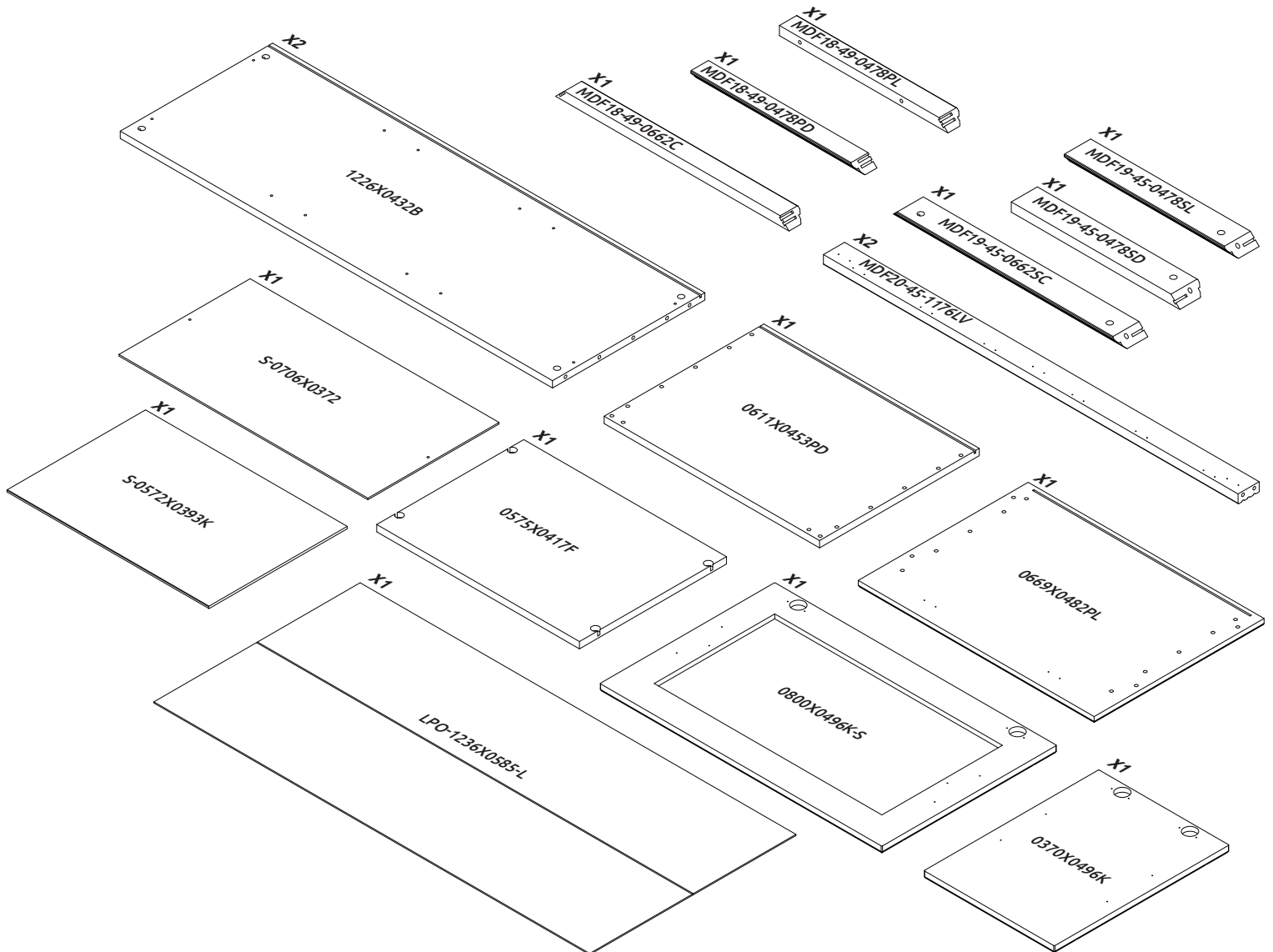


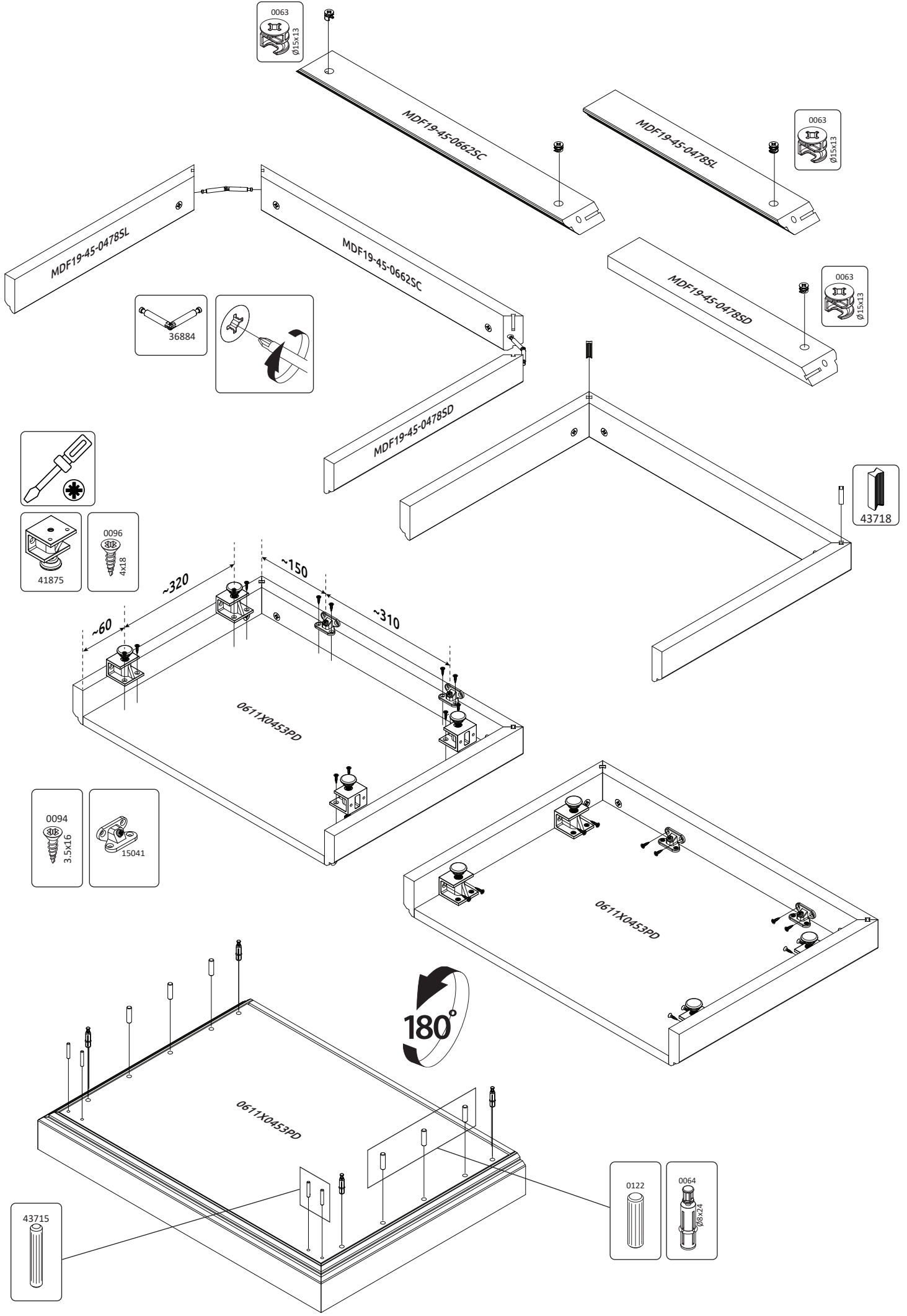
IMPORTANT - READ CAREFULLY - RETAIN FOR FUTURE REFERENCE  
 WICHTIG - SORGFÄLTIG LESEN UND AUFBEWAHREN

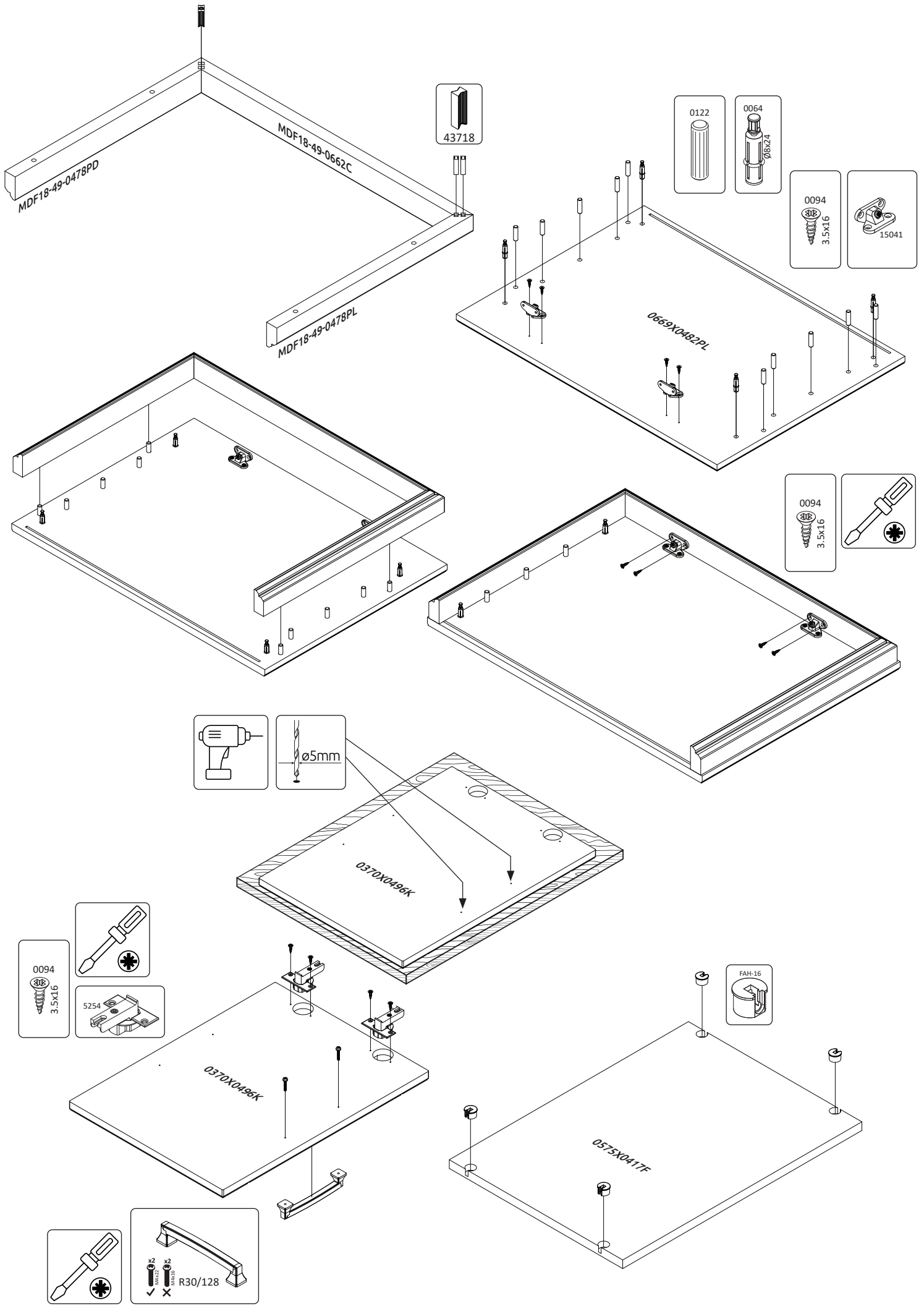


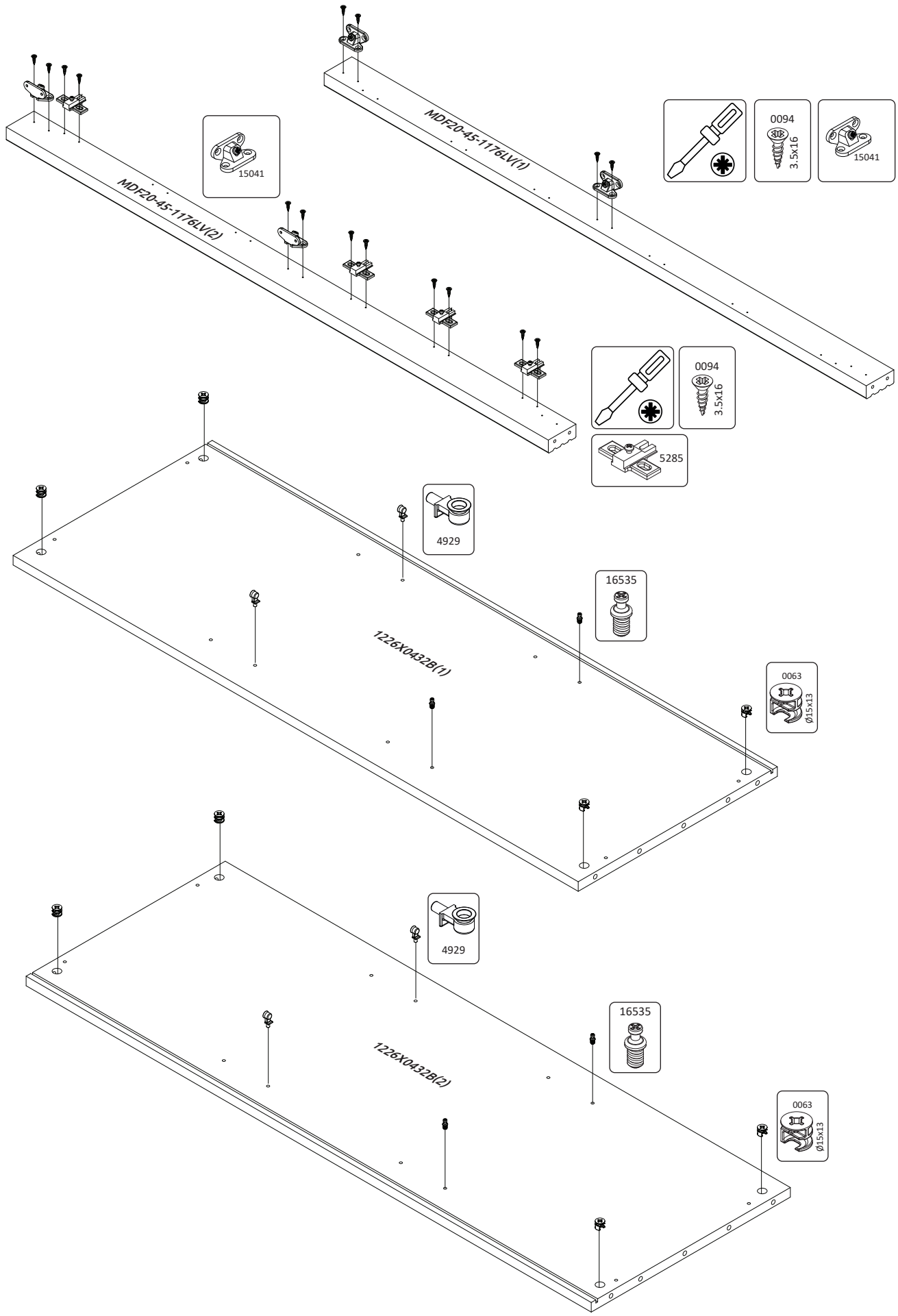
**TARA-V2S**  
 LHW - 669x1317x482

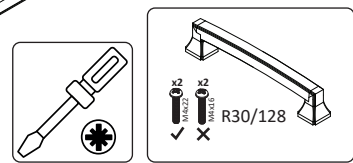
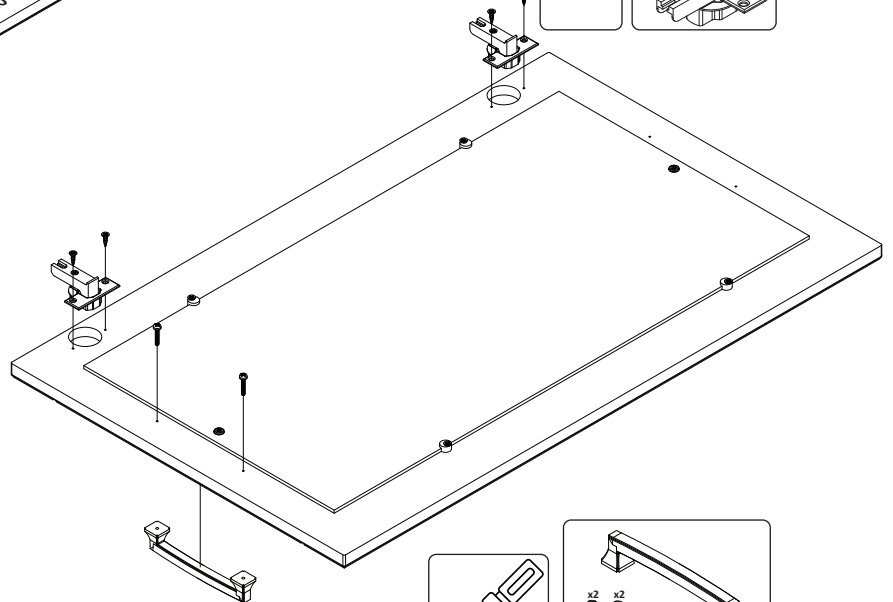
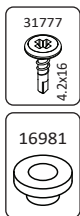
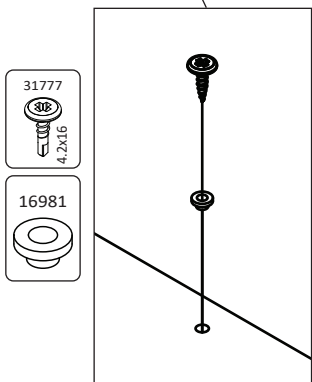
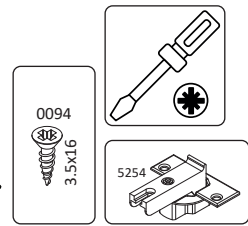
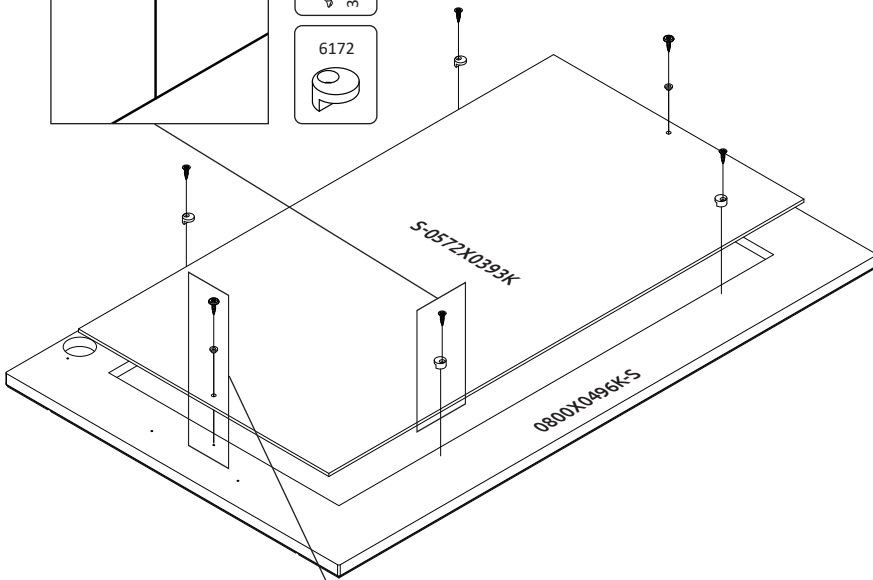
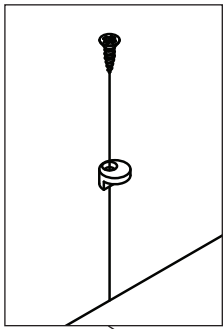
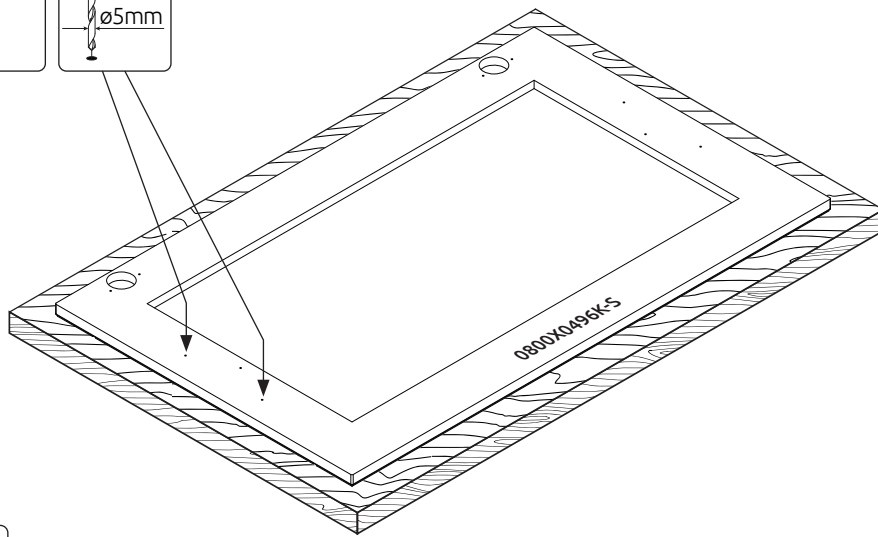
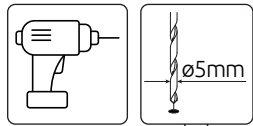
<b>x70</b> 0094 3.5x16	<b>x16</b> 0096 4x18	<b>x4</b> 43715	<b>x16</b> 0122	<b>x8</b> 0064 Ø8x24	<b>x12</b> 0063 Ø15x13	<b>x4</b> 16535	<b>x4</b> FAH-16	<b>x8</b> EKSK4-NE	<b>x2</b> 6319	<b>x10</b> 0108	<b>x6</b> 43718	<b>x12</b> 15041	<b>x4</b> 2114 4x35	0121 1.4x25
<b>x4</b> 5254 5285	<b>x2</b> 5465	<b>x2</b> R30/128	<b>x4</b> 41875	<b>x2</b> 36884	<b>x10</b> 0095 3.5x20	<b>x2</b> 31777 4.2x16	<b>x4</b> 6172	<b>x4</b> 4929	<b>x2</b> 16981	<b>x1</b> 15741				

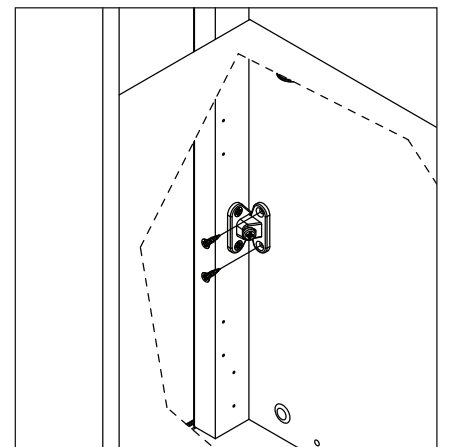
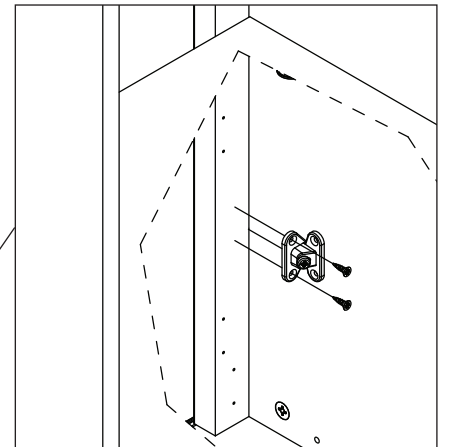
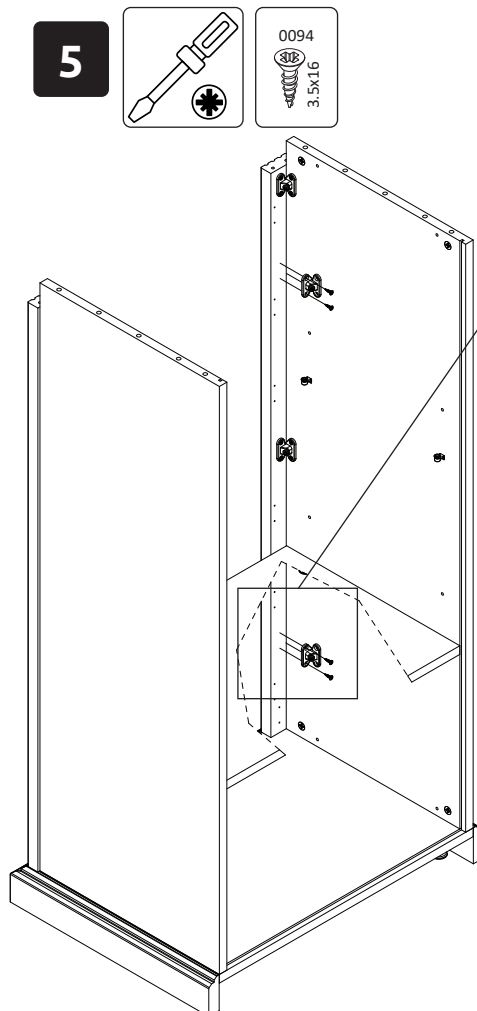
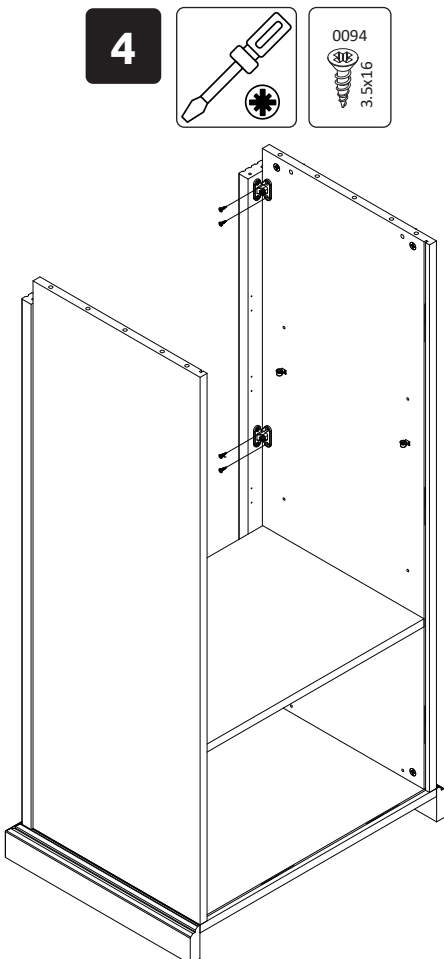
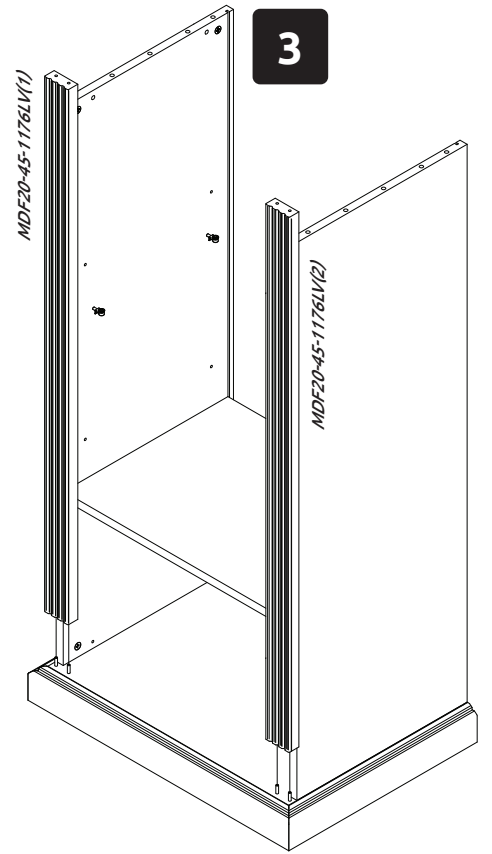
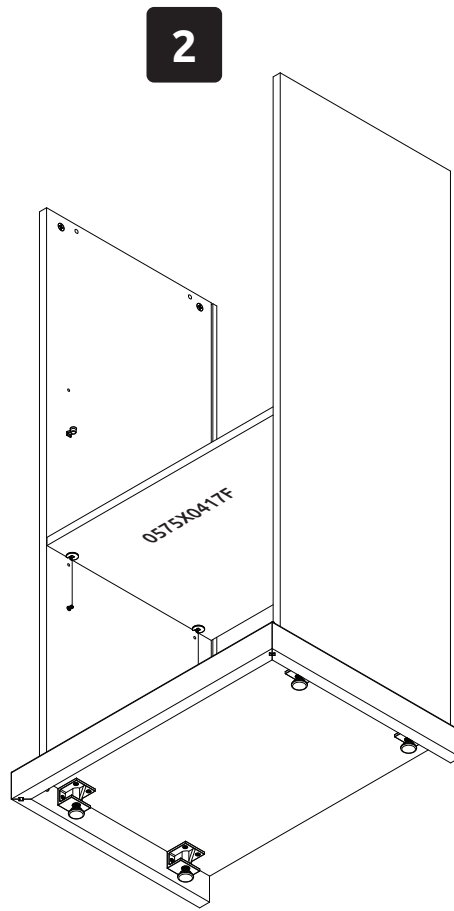
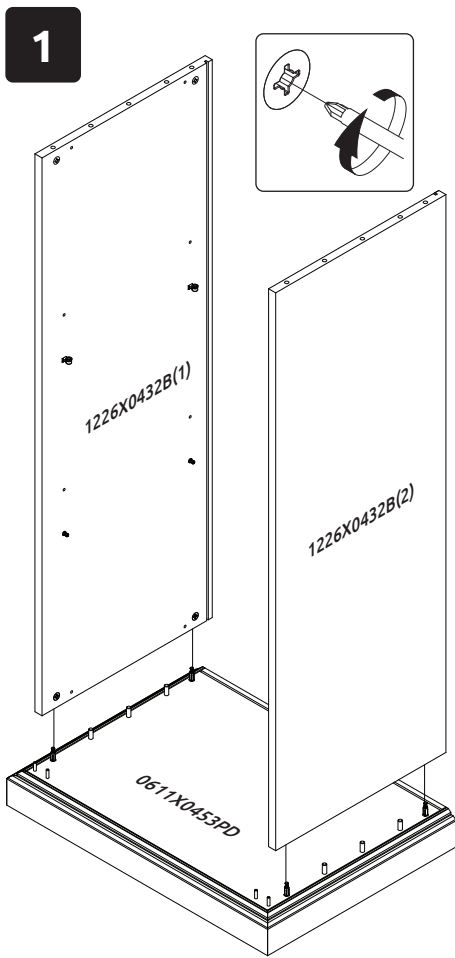




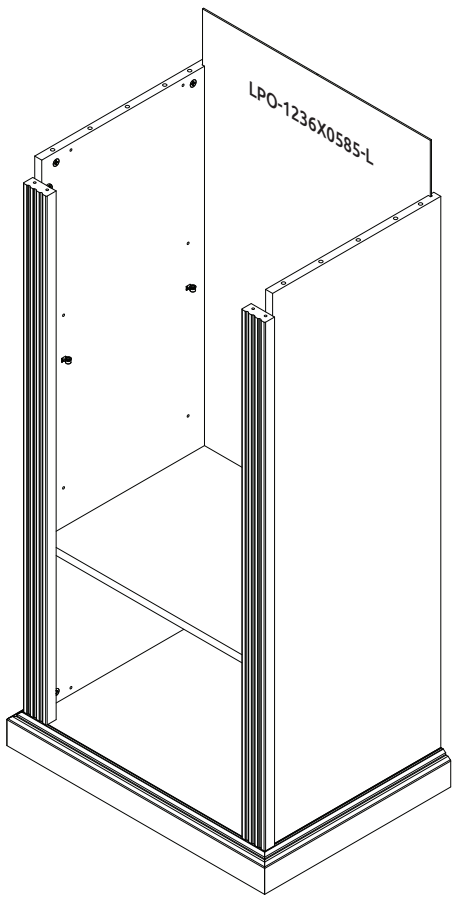




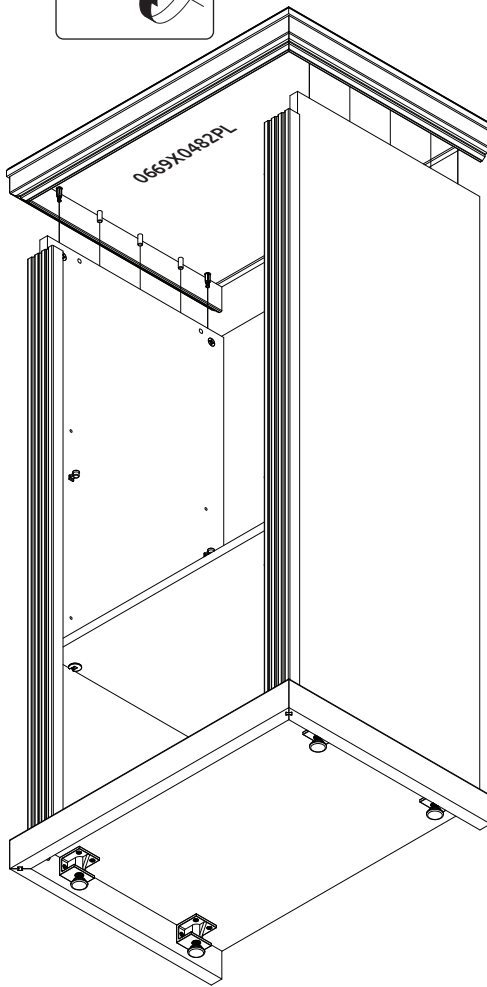
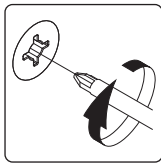




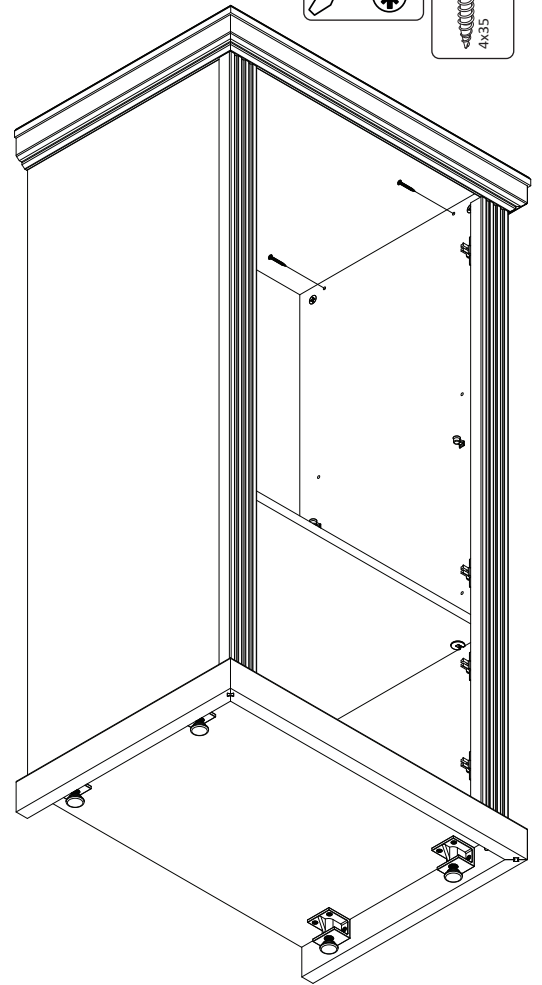
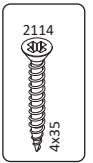
6



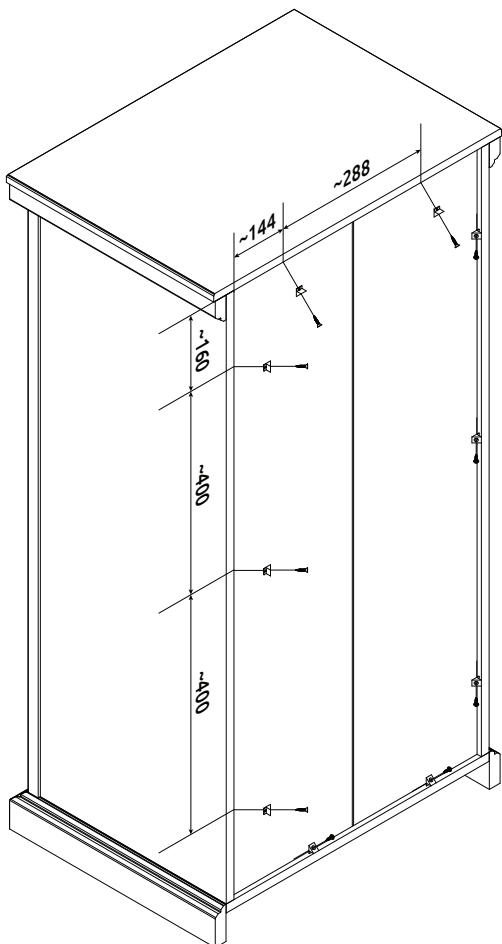
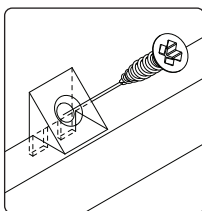
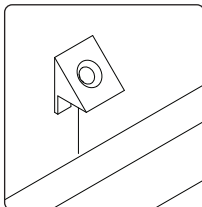
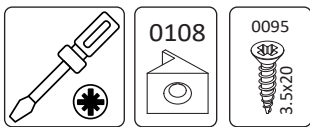
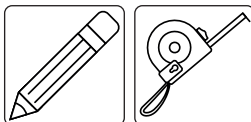
7



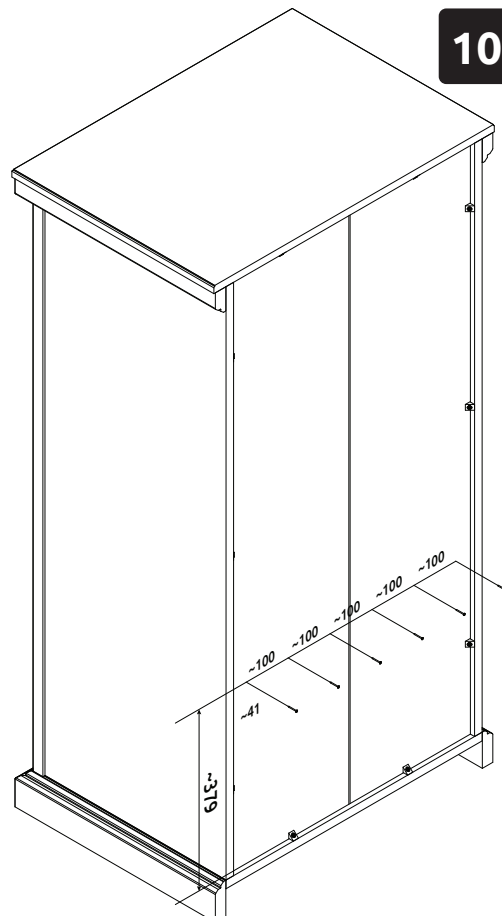
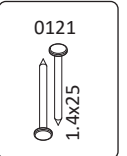
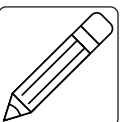
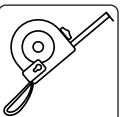
8



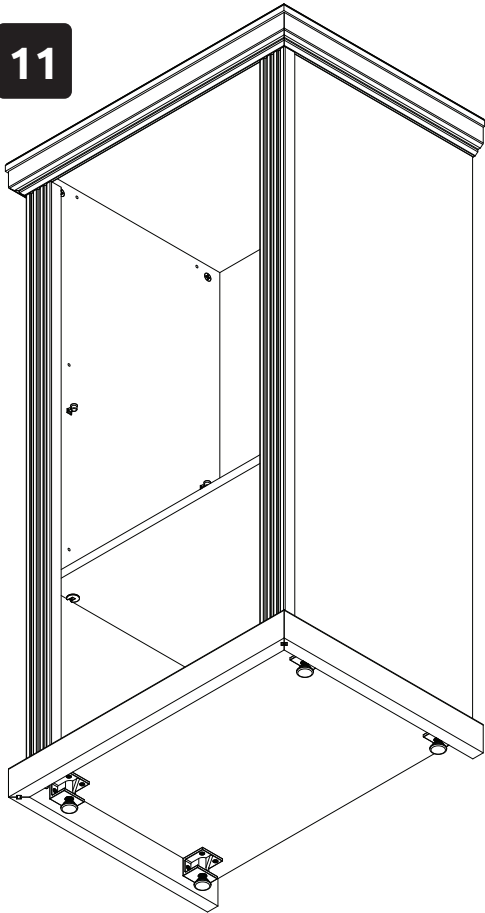
9



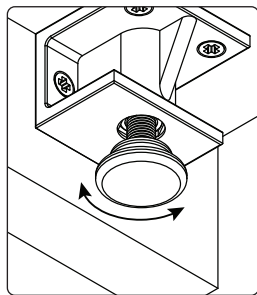
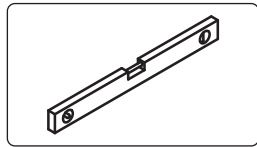
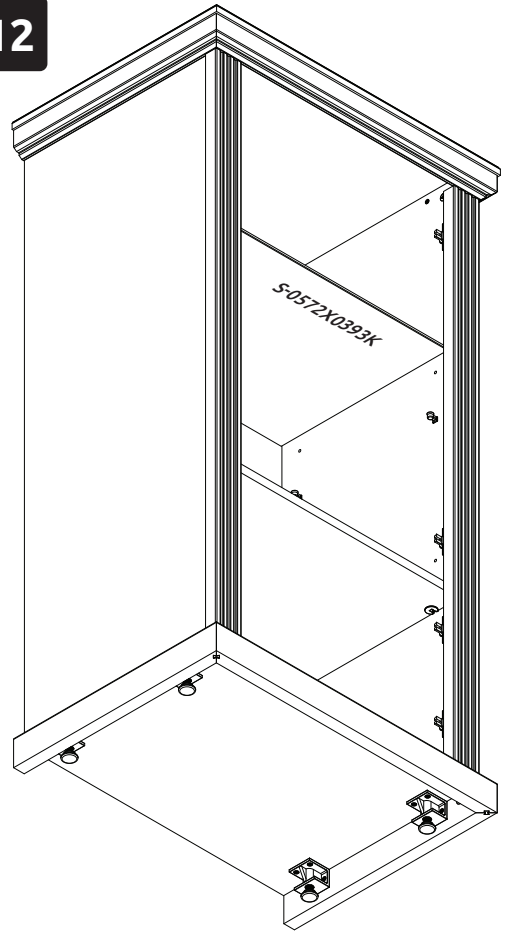
10



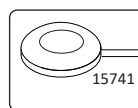
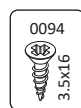
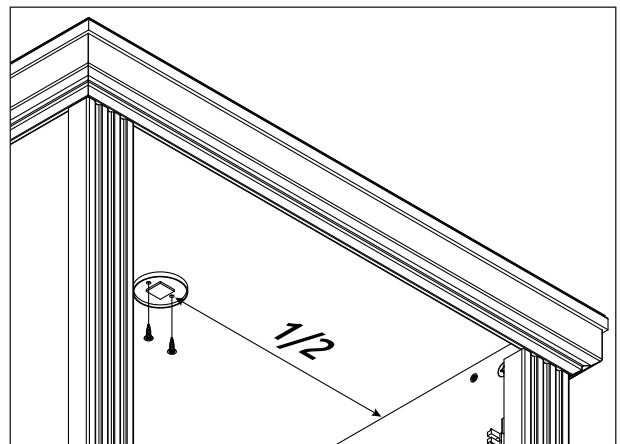
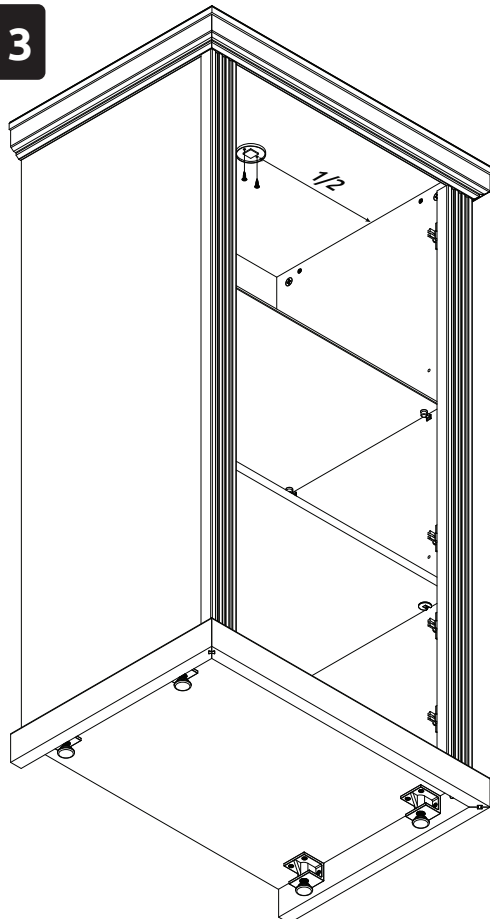
11



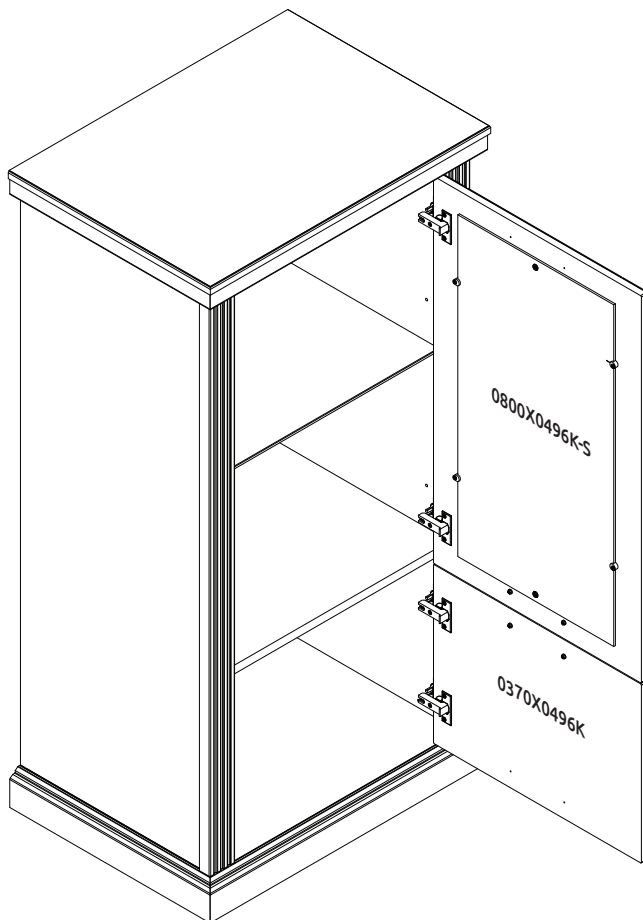
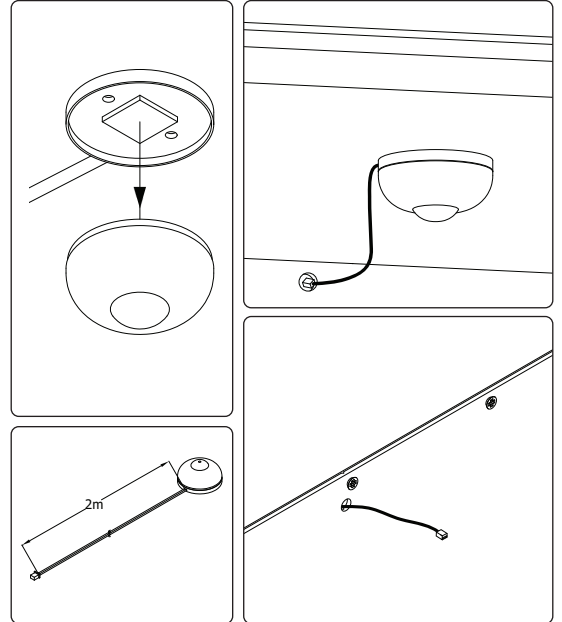
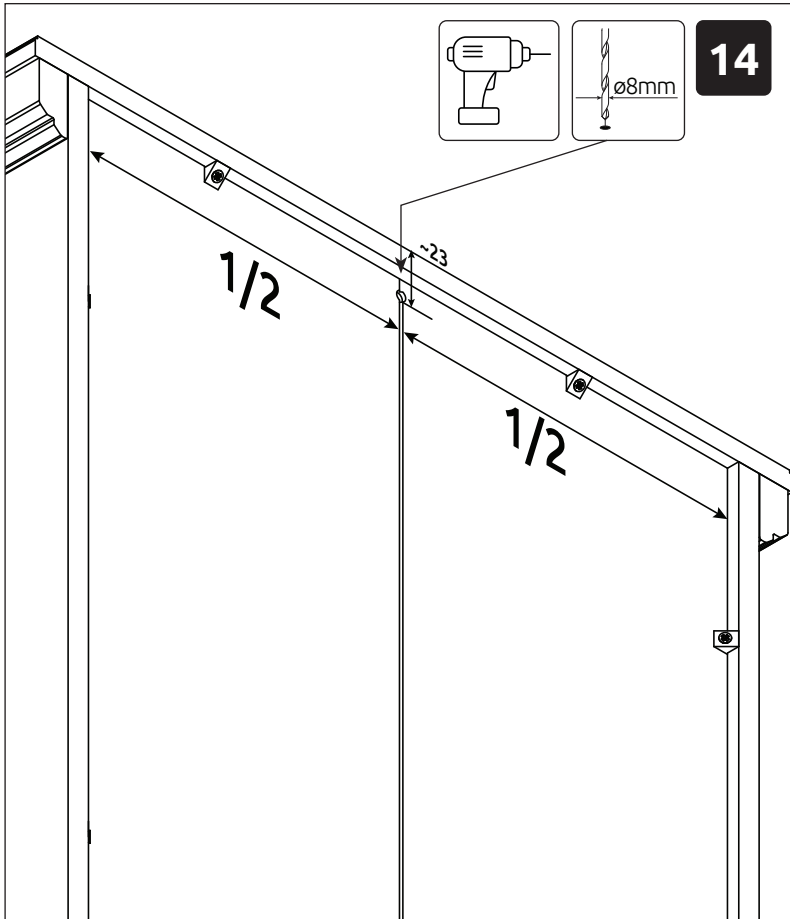
12



13







15

