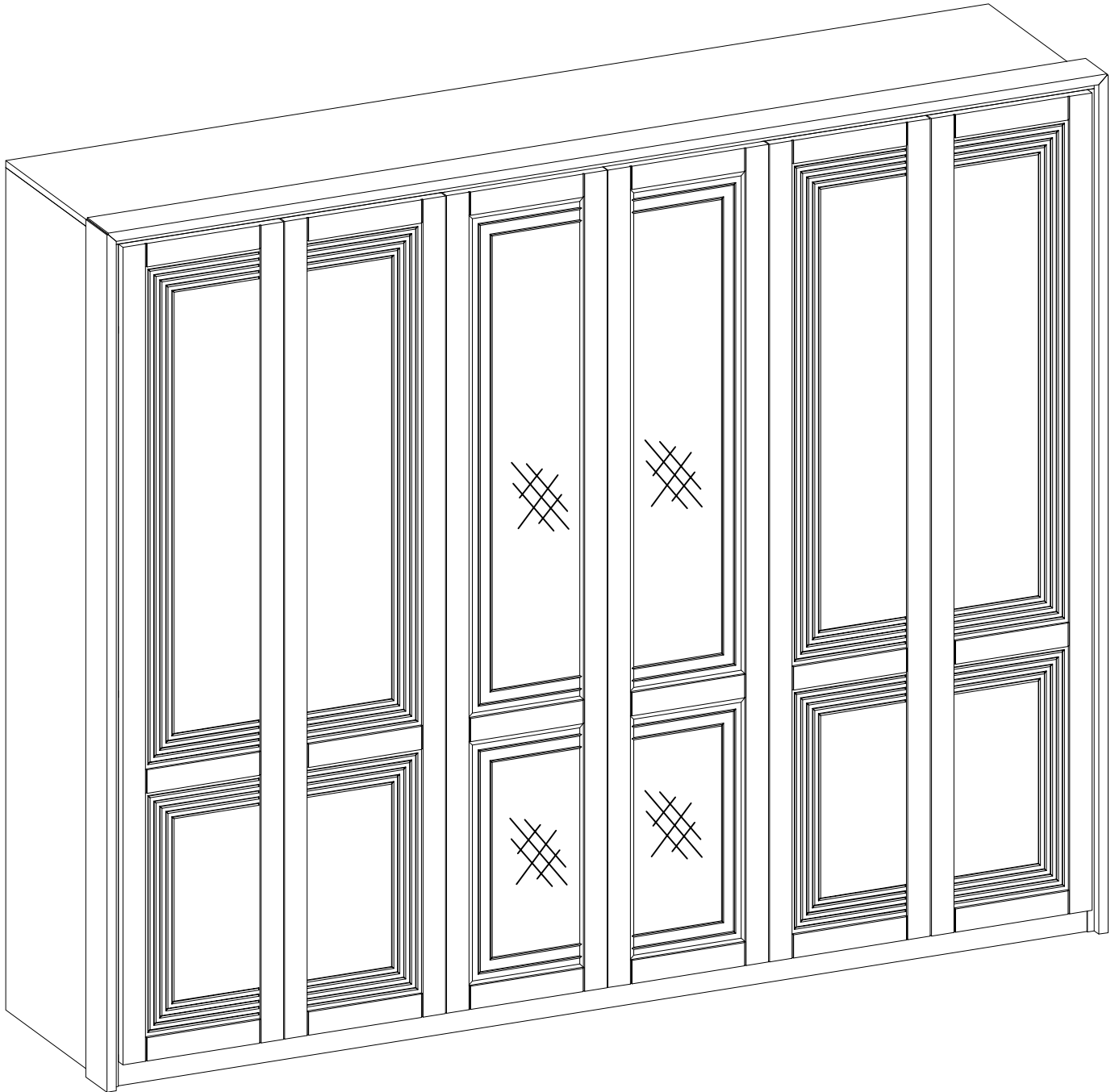
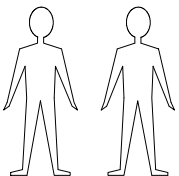


# HAMMER

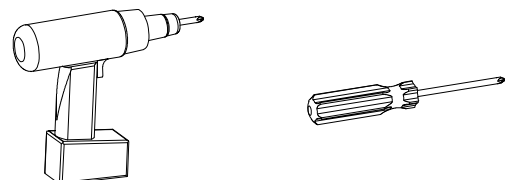
WARDROBE

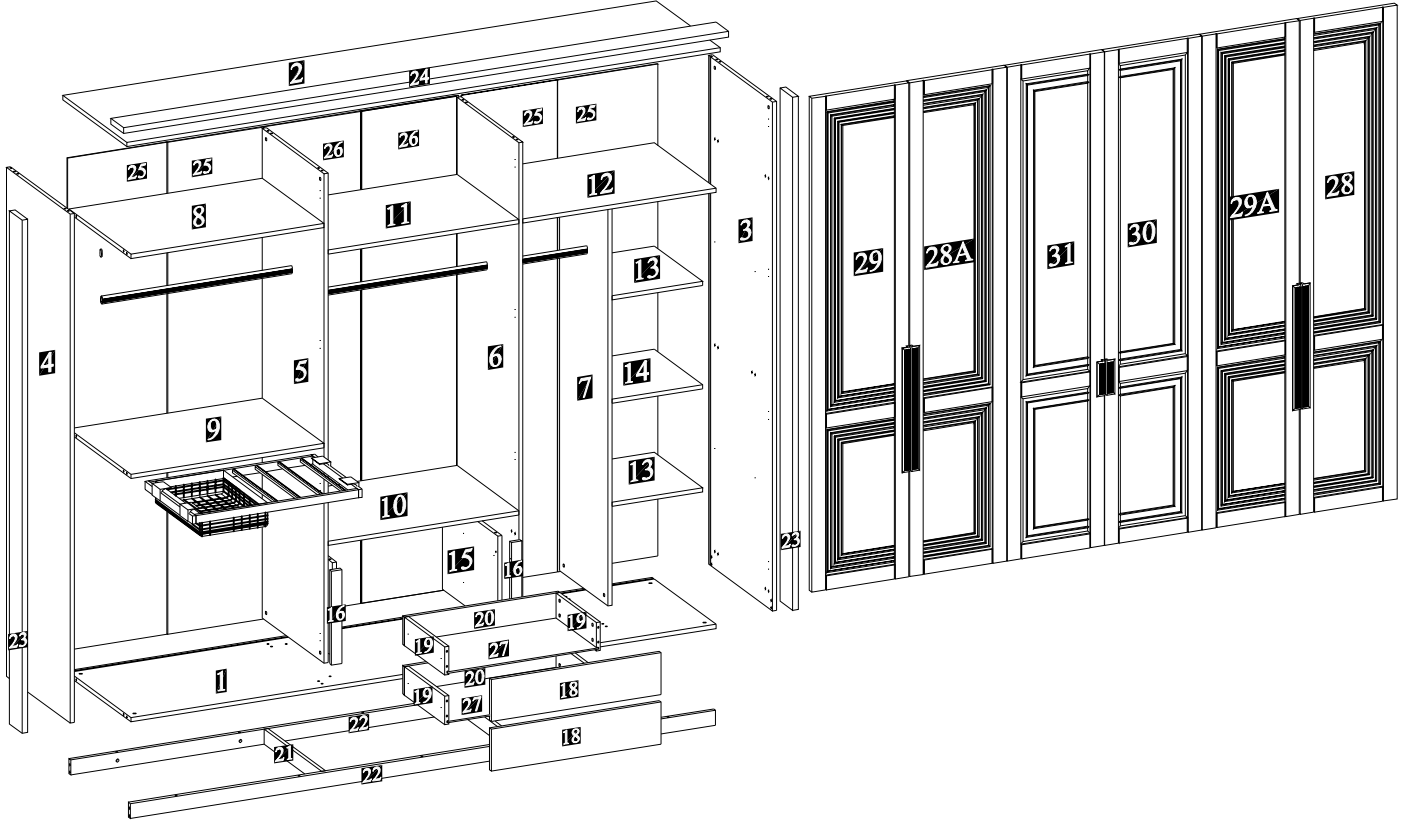


*Requerid*



*Tools Needed*

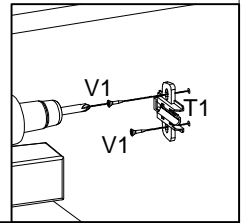
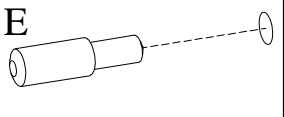
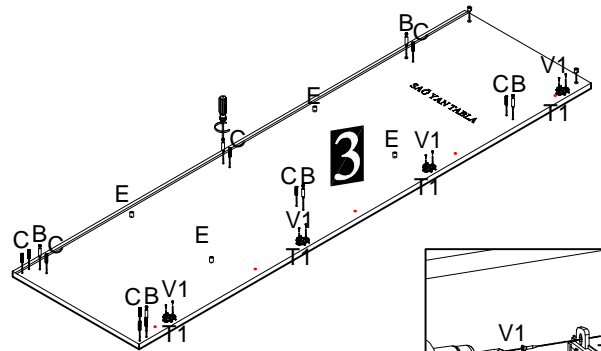
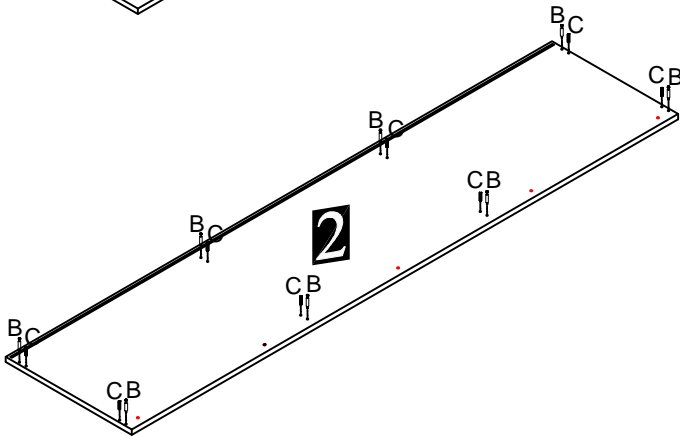
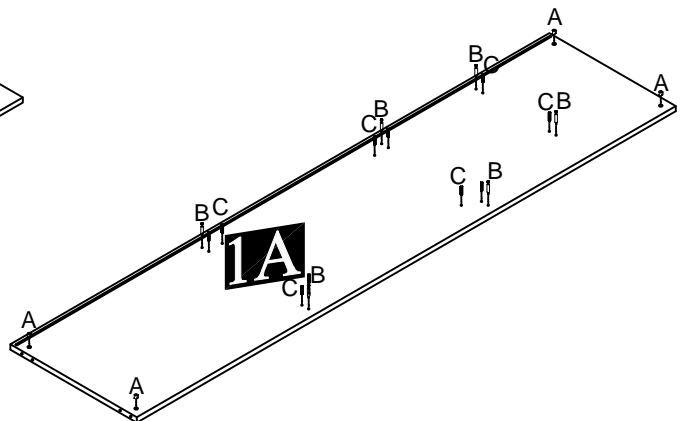
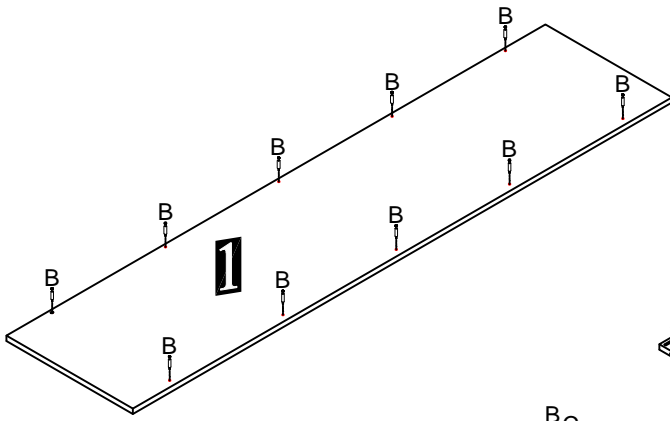




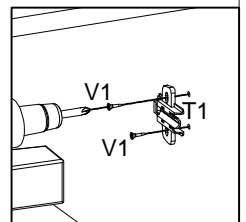
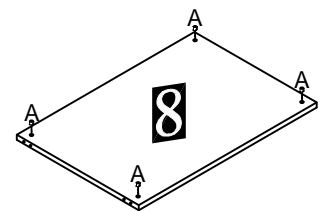
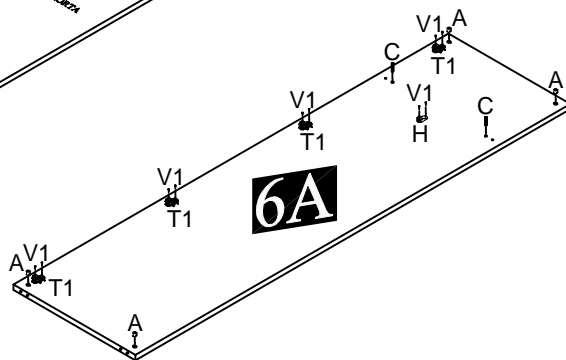
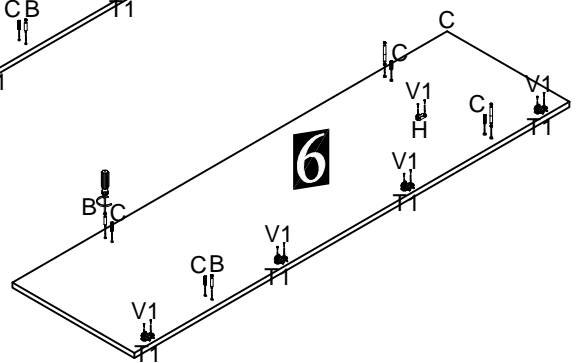
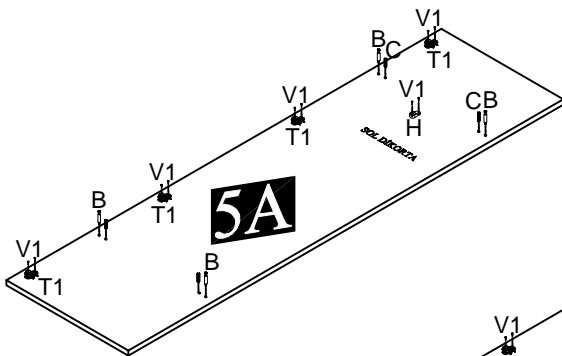
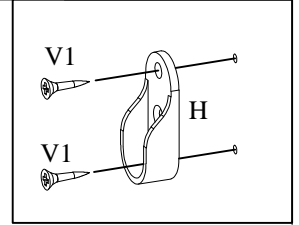
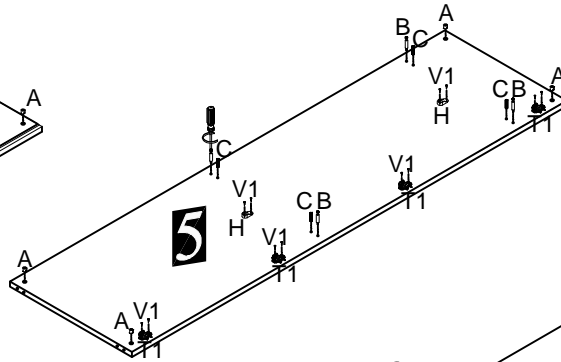
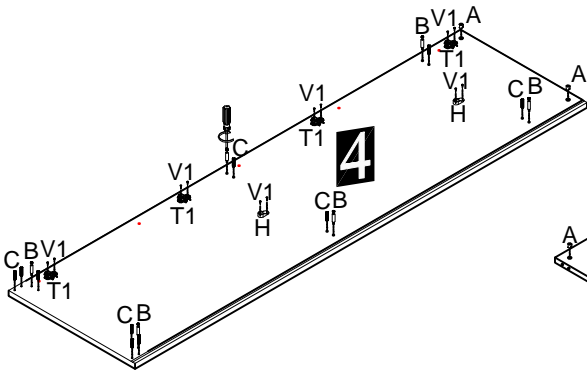
## Hardware supplied for assembly

| Ø15 MİNİFIX BAŞLIK | MİNİFIX MİL      | MİNİFIX TAPA | PLASTİK KAVELA     | 3,5*18 YHB           | 3,5*25 YHB       | 3,5*25 RYHB        | M4*30 KULP VIDASI        | RAF PİMİ   | ARKALIK SIKIŞTIRMA | ASKI FLANŞI          | M6x30YHB VIDA |
|--------------------|------------------|--------------|--------------------|----------------------|------------------|--------------------|--------------------------|------------|--------------------|----------------------|---------------|
| A                  | B                | D            | C                  | V1                   | V2               | V3                 | KV4                      | E          | F                  | H                    | V10           |
|                    |                  |              |                    |                      |                  |                    |                          |            |                    |                      |               |
| 68 ADET            | 64 ADET          | 68 ADET      | 66 ADET            | 92 AD.               | 36 ADET          | 24 ADET            | 16 ADET                  | 8 ADET     | 24 ADET            | 6 ADET               | 15 ADET       |
| SYMSTEM KULP 128   | SYMSTEM KULP 512 | PANTOLONLUK  | YARIM DEVE MENTEŞE | FRENLİ Y.R.D MENTEŞE | TAM DEVE MENTEŞE | FRENLİ T.D MENTEŞE | ÇİFT TARAFLI MİNİFIX MİL | 6,3*50 YHB | TITUS TABAN        | 400mm RAY TELESKOPIK | H PLASTİK     |
| KL                 | KL1              | PN           | M2                 | FM2                  | M3               | FM3                | B1                       | KV         | T1                 | R3                   | HP            |
|                    |                  |              |                    |                      |                  |                    |                          |            |                    |                      |               |
| 2 ADET             | 4 ADET           | 1 ADET       | 8 ADET             | 8 ADET               | 4 ADET           | 4 ADET             | 6 ADET                   | 4 ADET     | 24 ADET            | 2 TAKIM              | 3 ADET        |

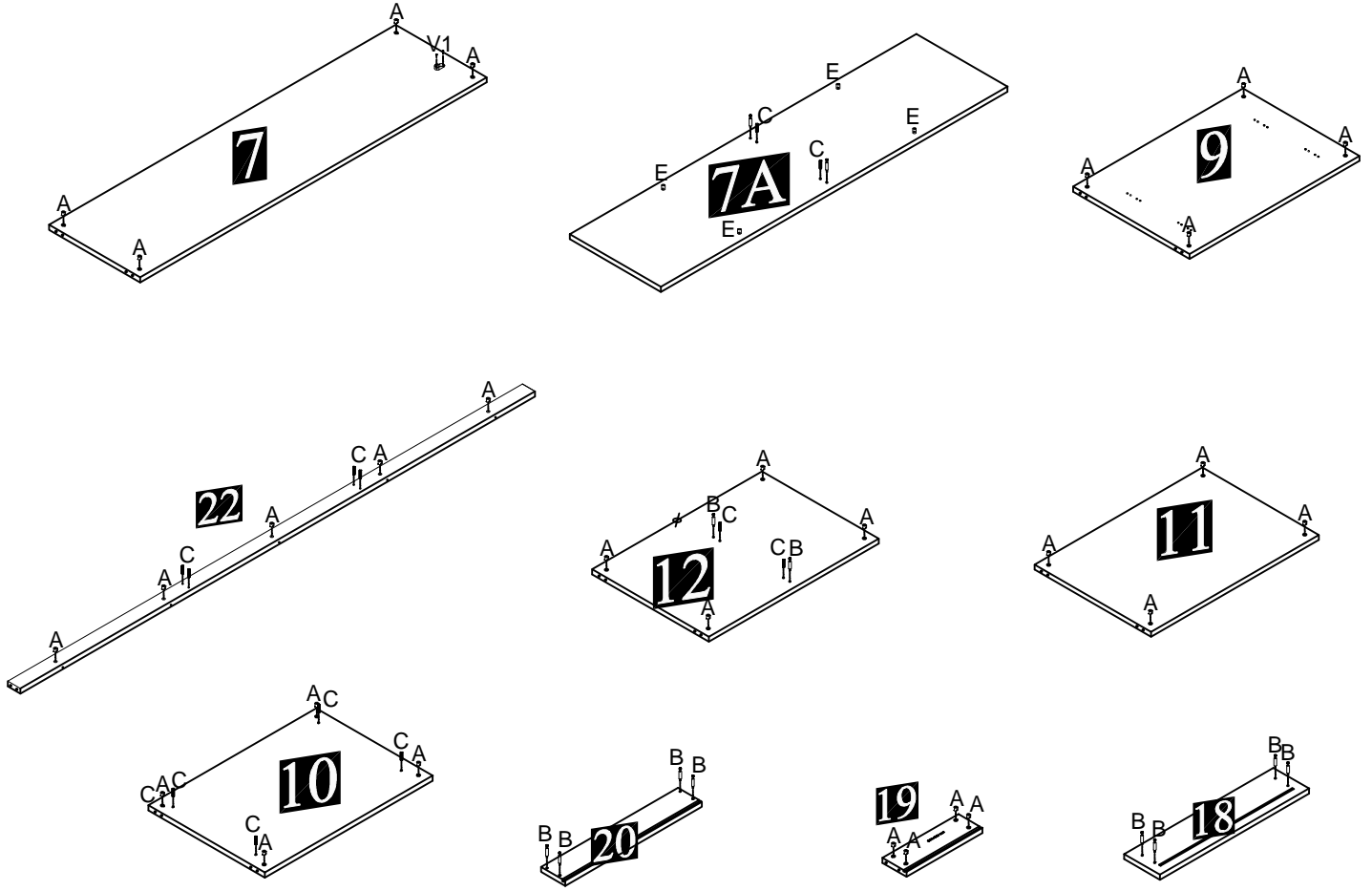
# Step 1



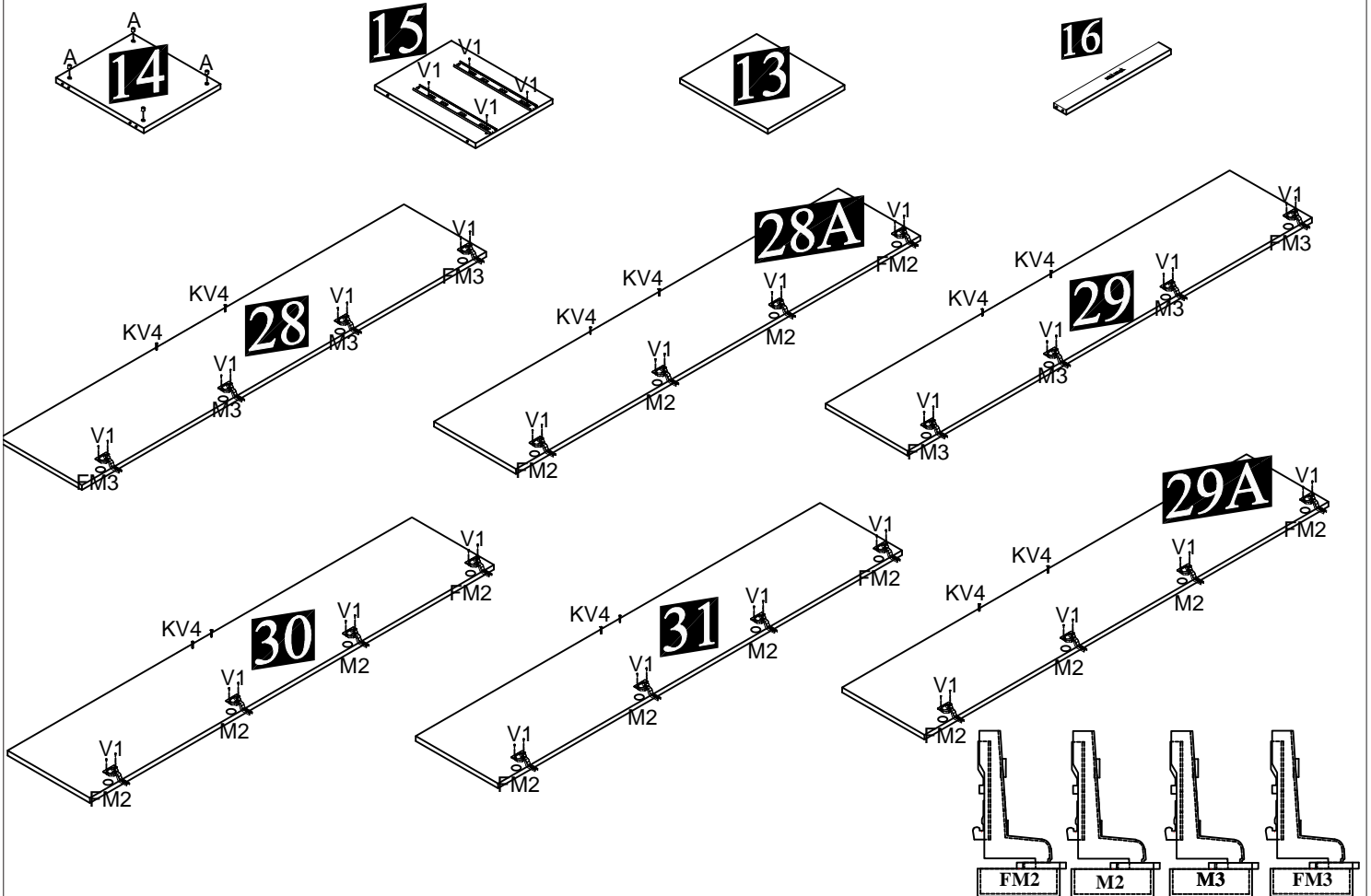
# Step 2



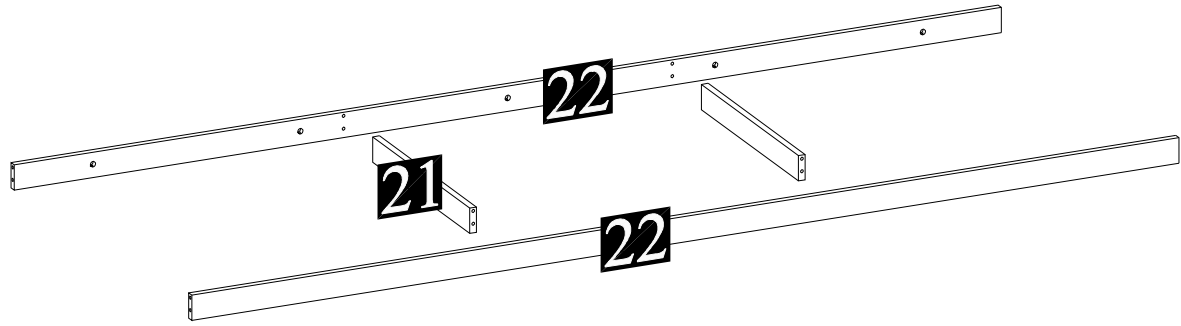
### Step 3



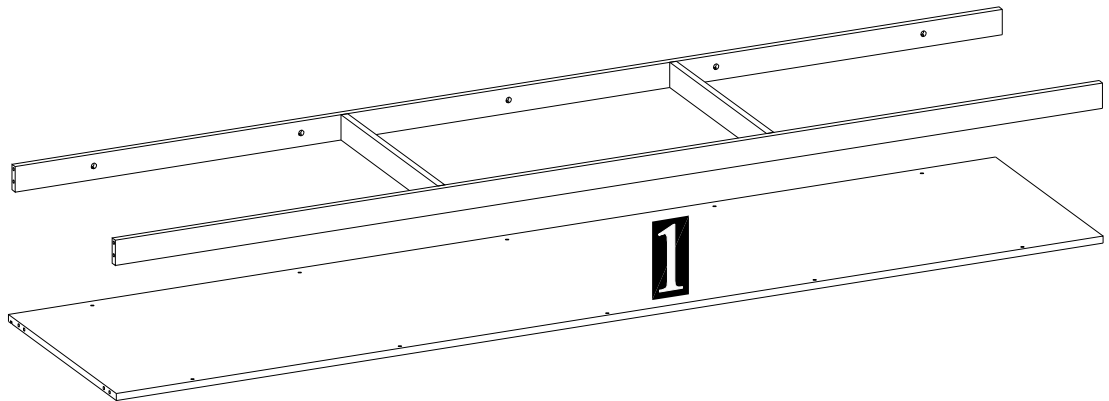
### Step 4



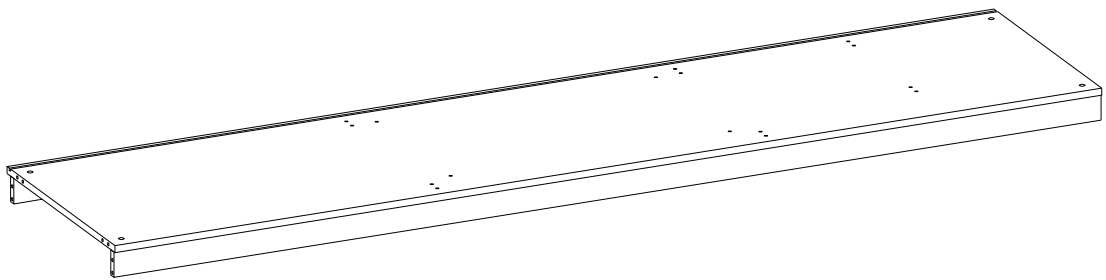
## Step 5



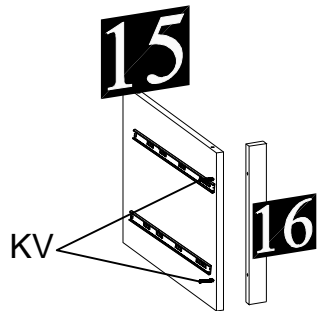
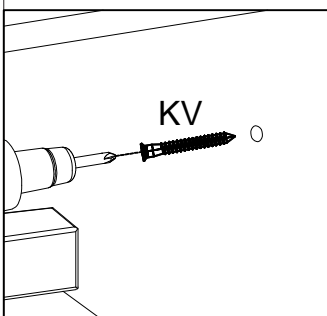
## Step 6



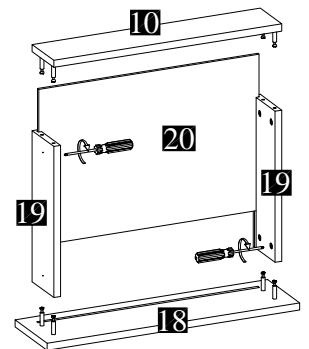
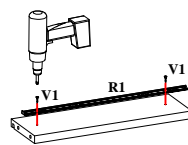
## Step 7



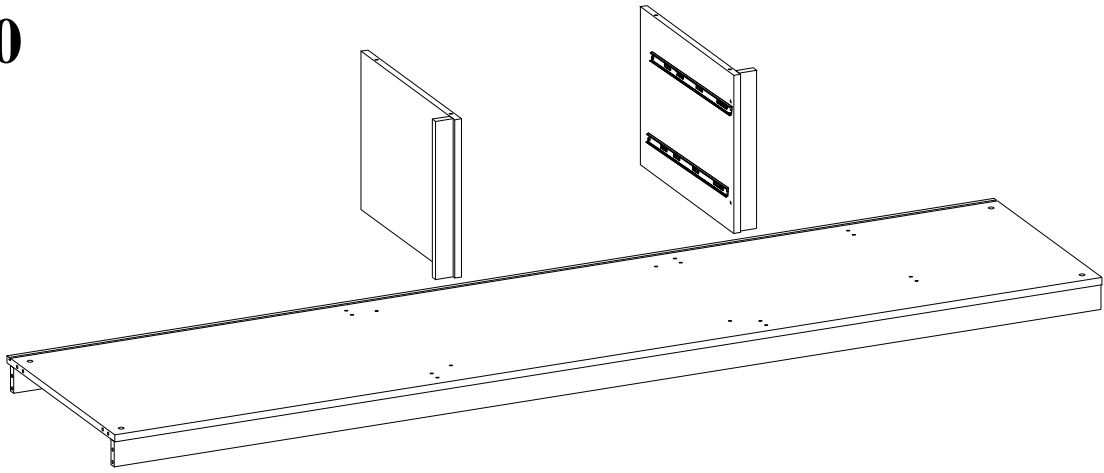
## Step 8



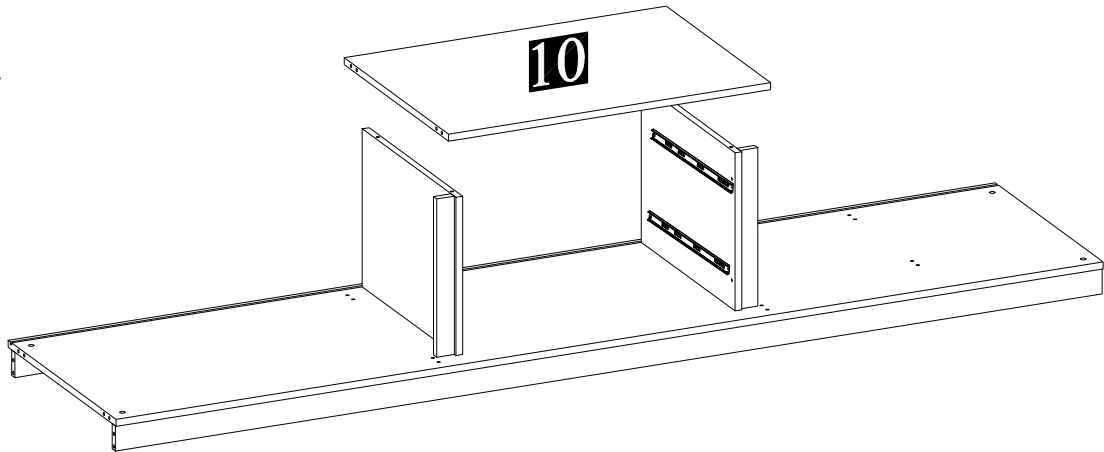
## Step 9



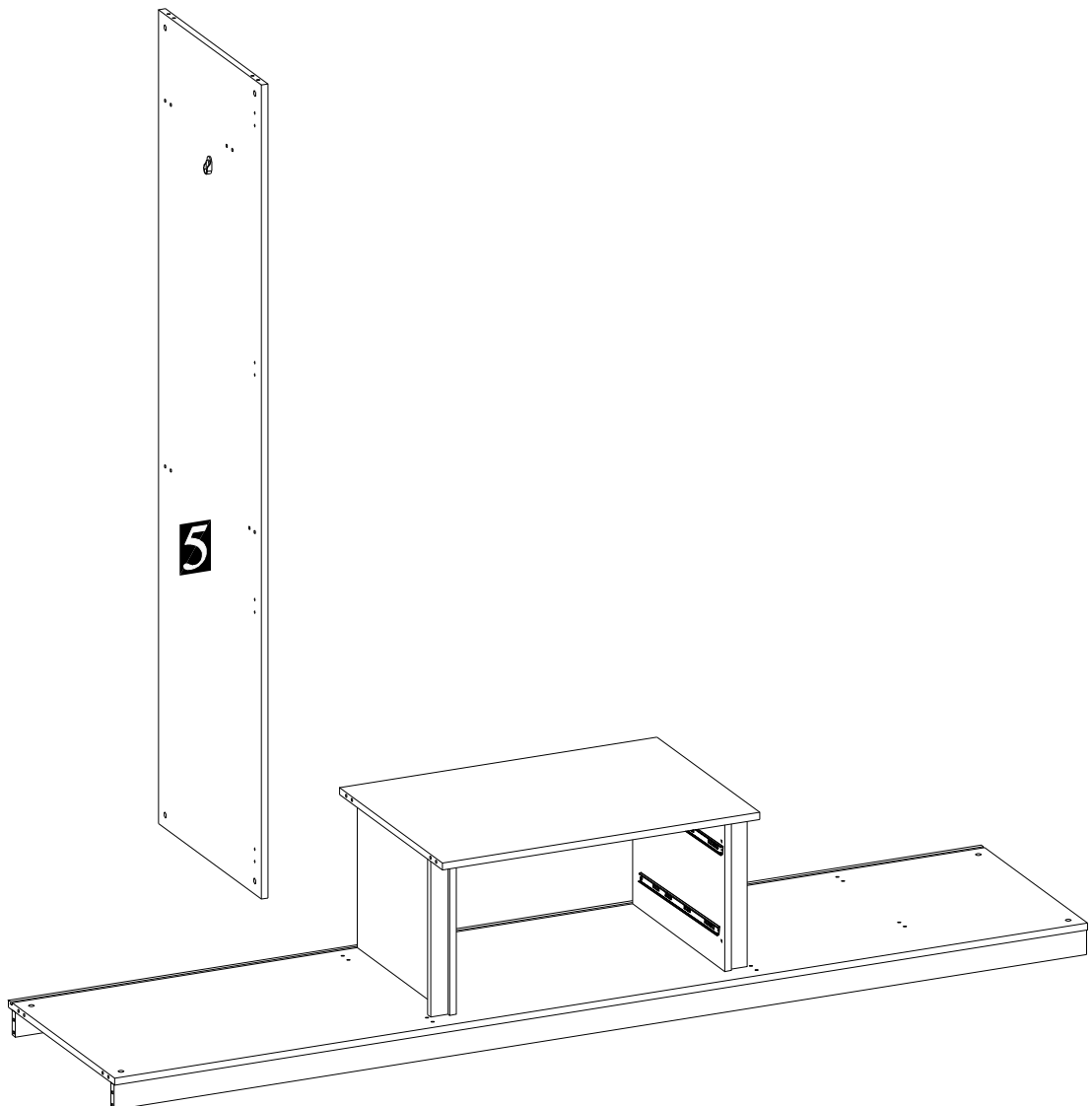
## Step 10



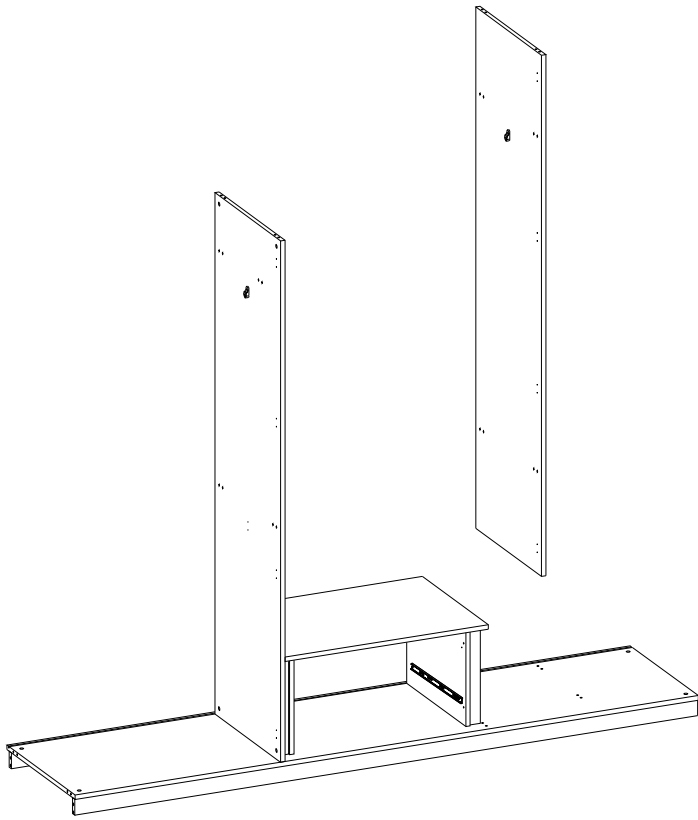
## Step 11



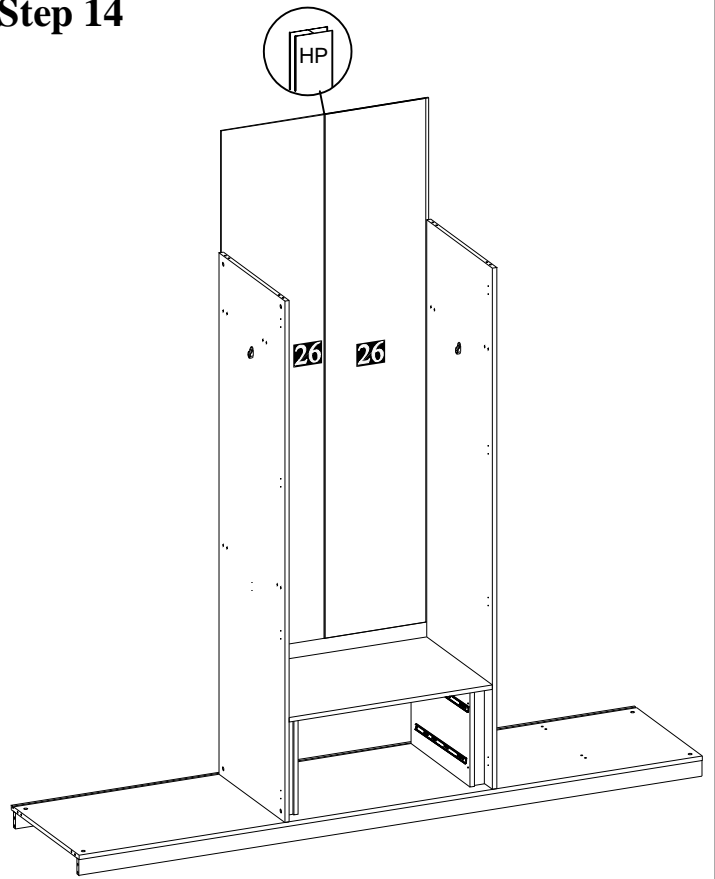
## Step 12



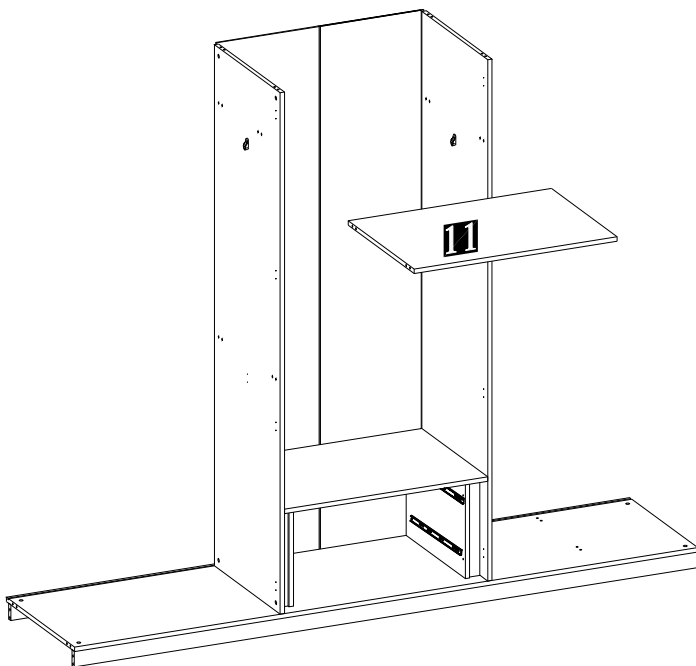
**Step 13**



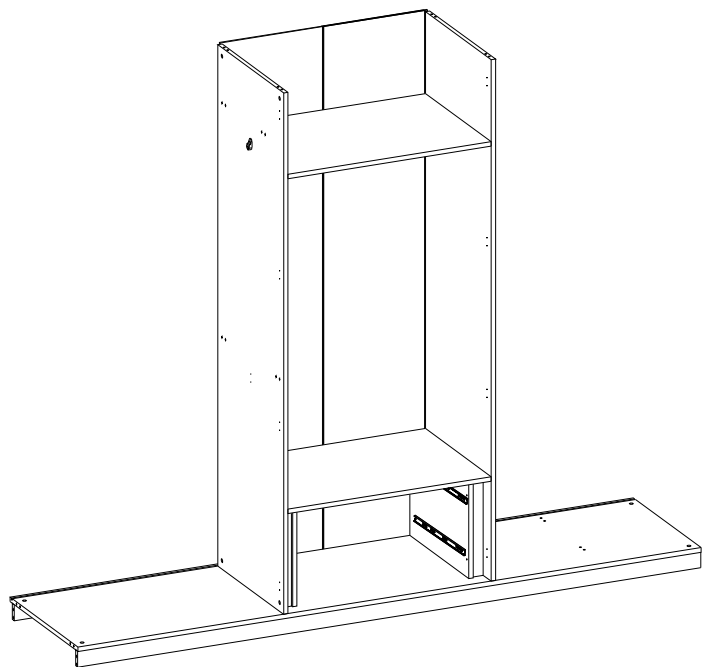
**Step 14**



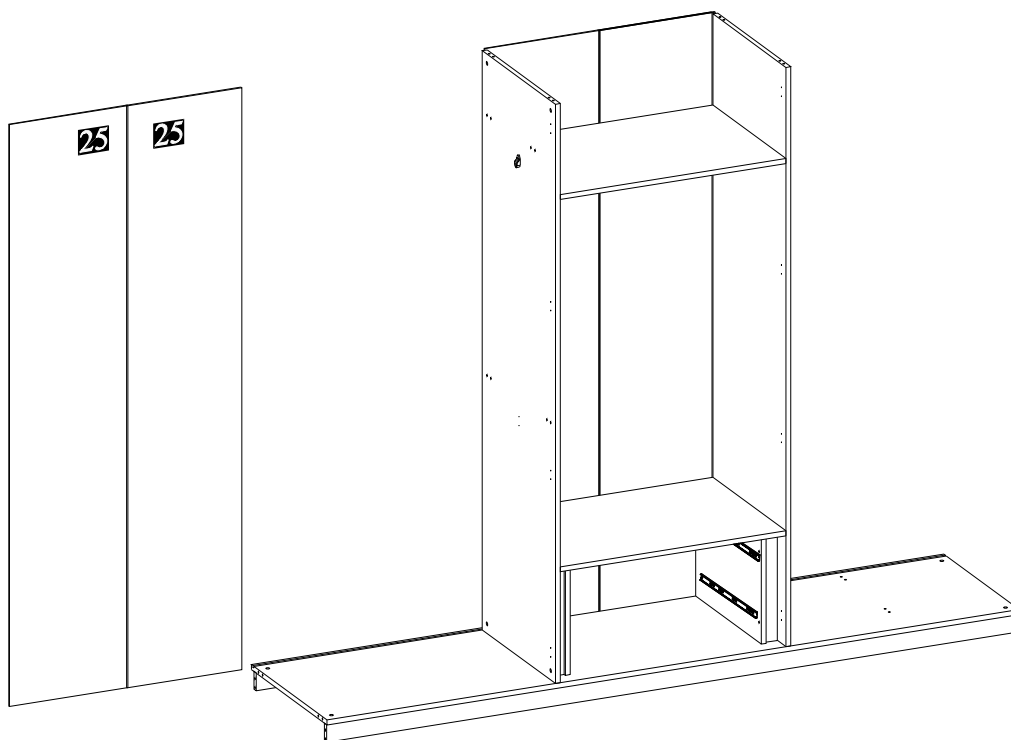
**Step 15**



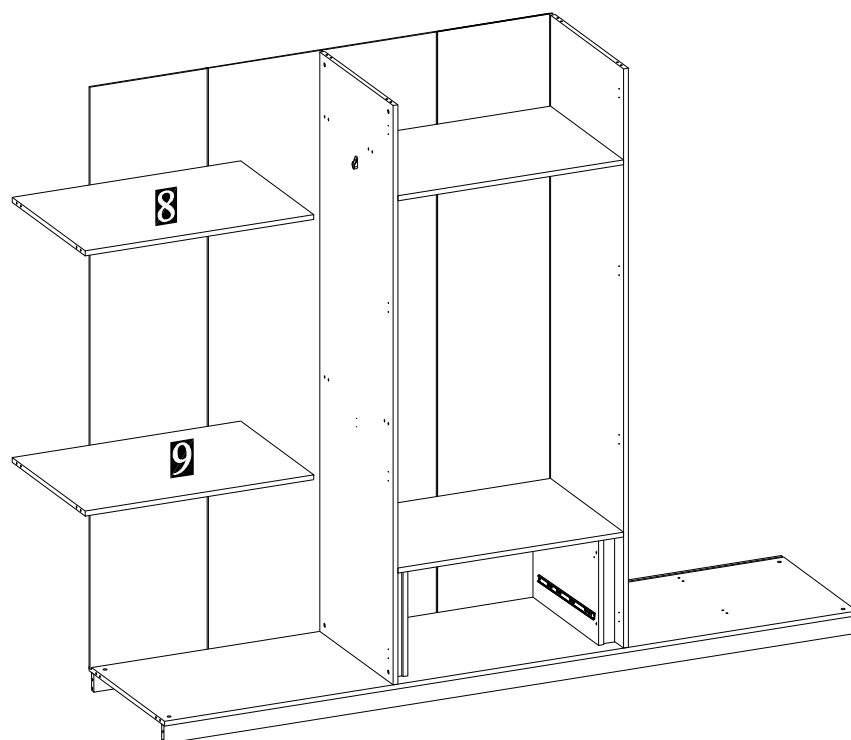
**Step 16**



## Step 17

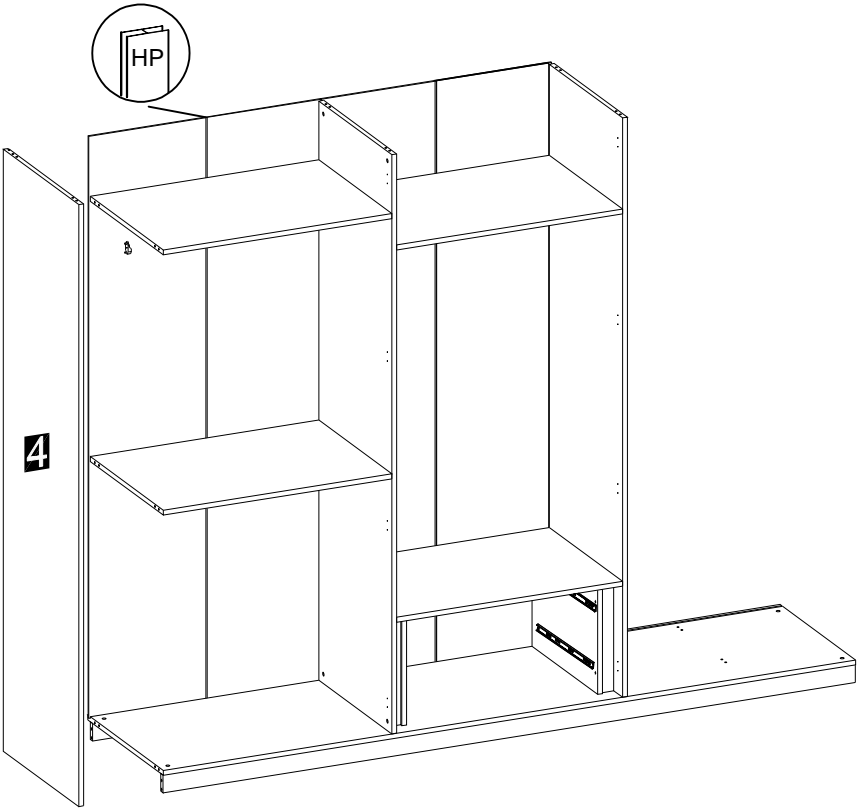


## Step 18

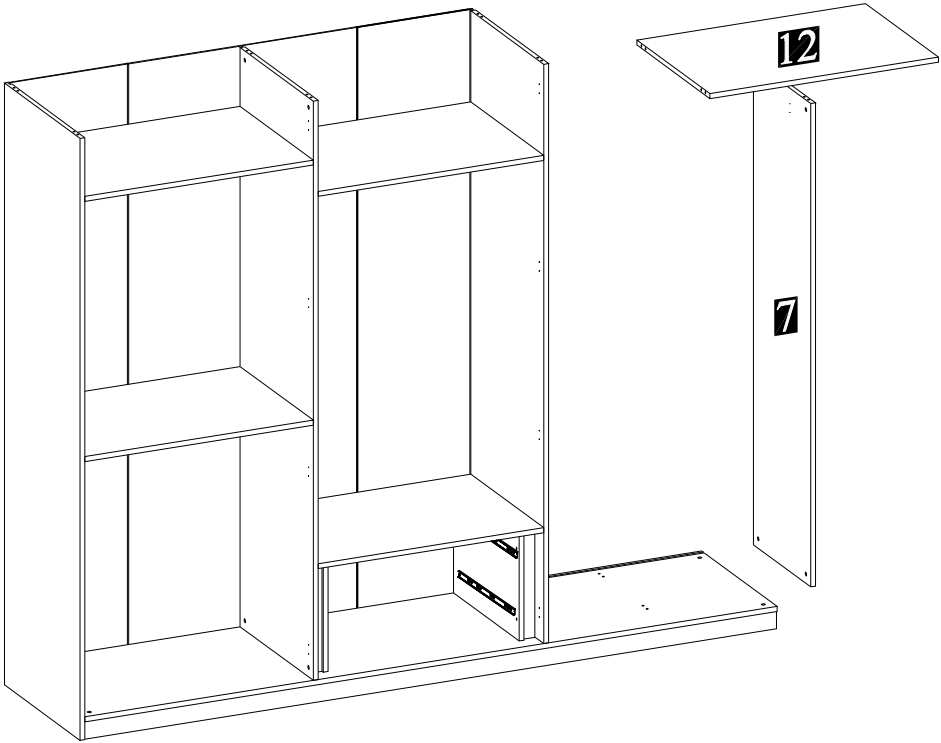




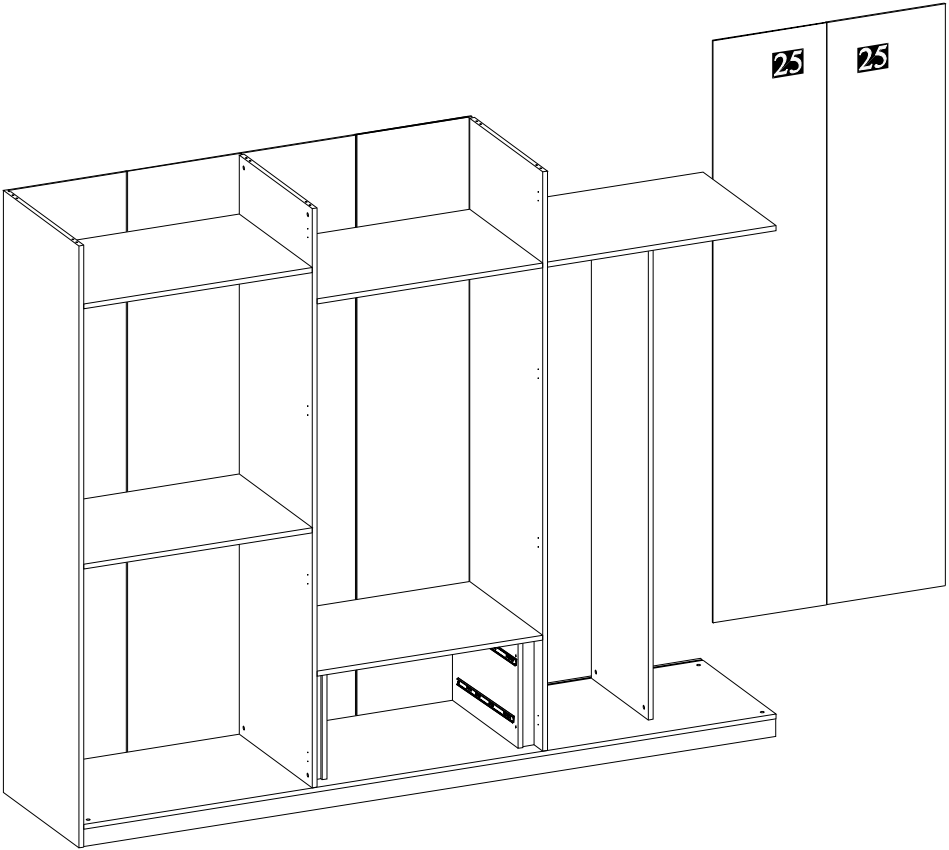
**Step 19**



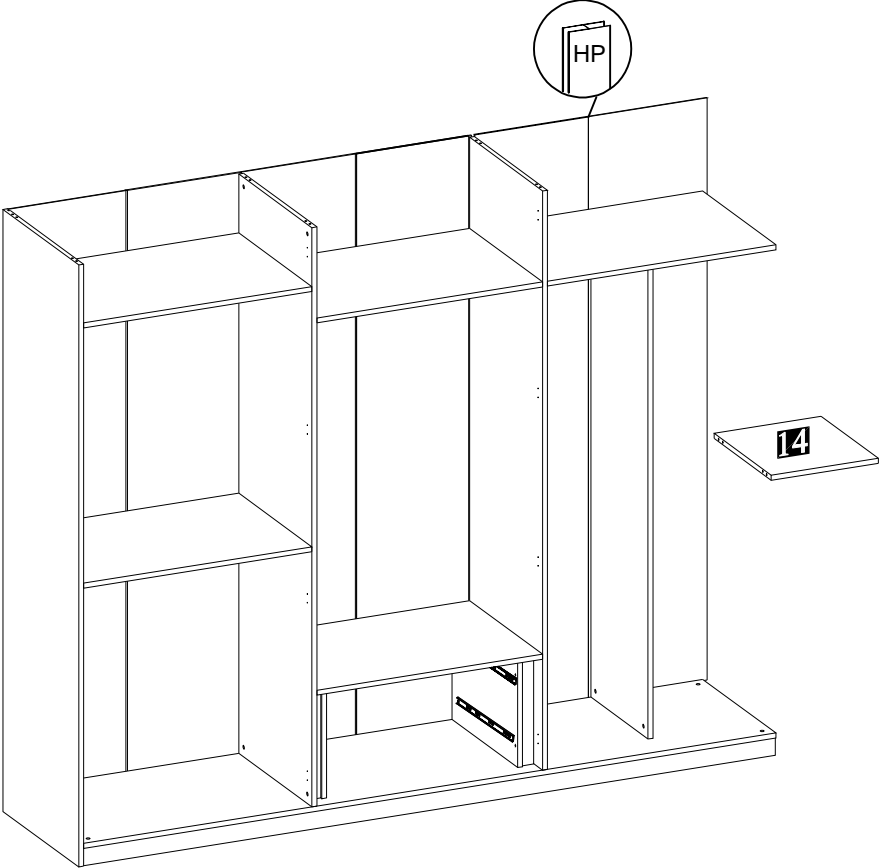
**Step 20**



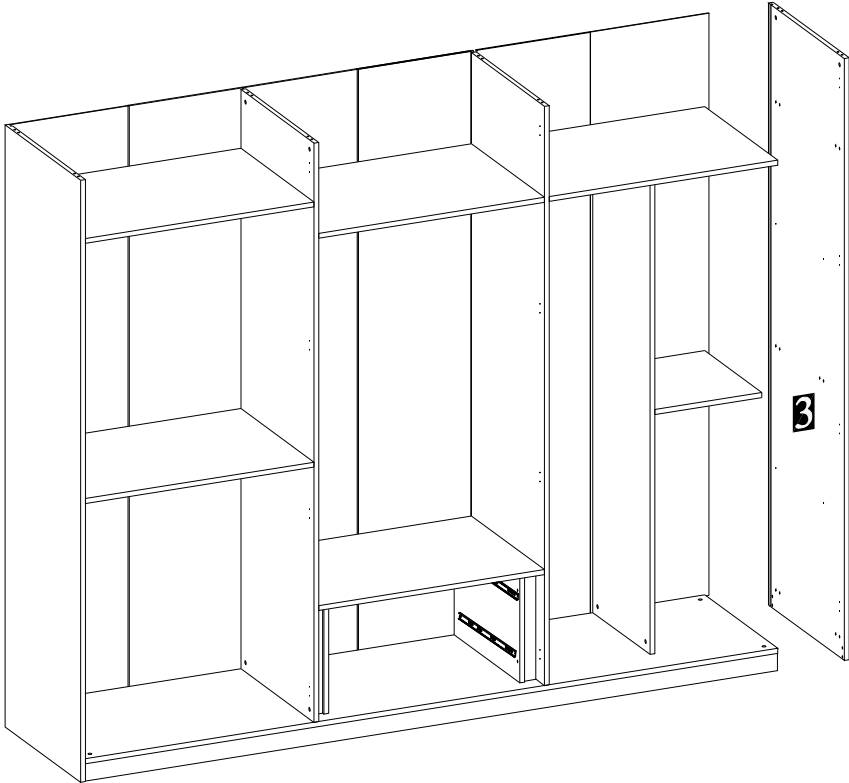
**Step 21**



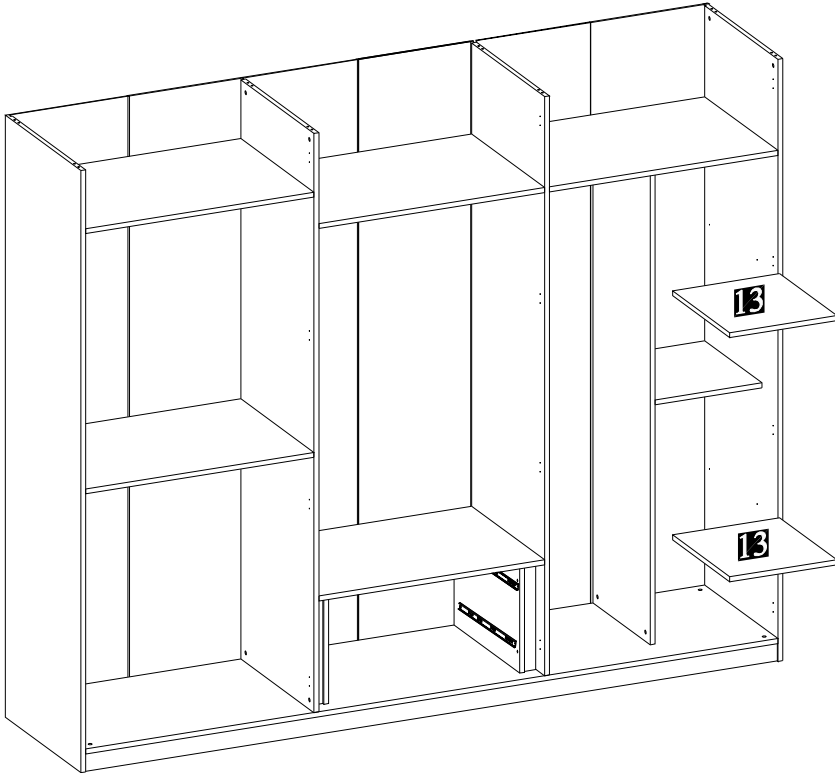
**Step 22**



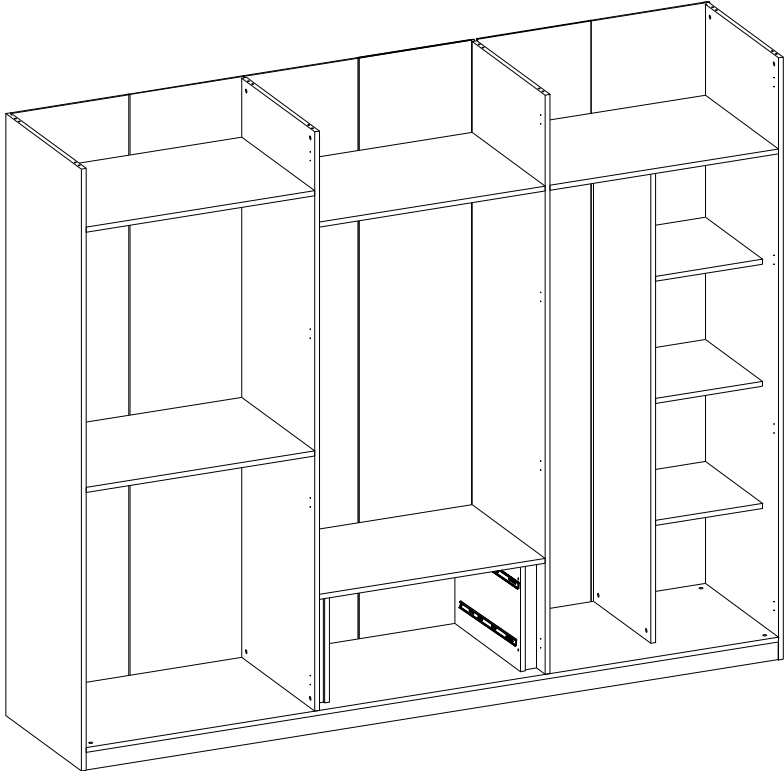
**Step 23**



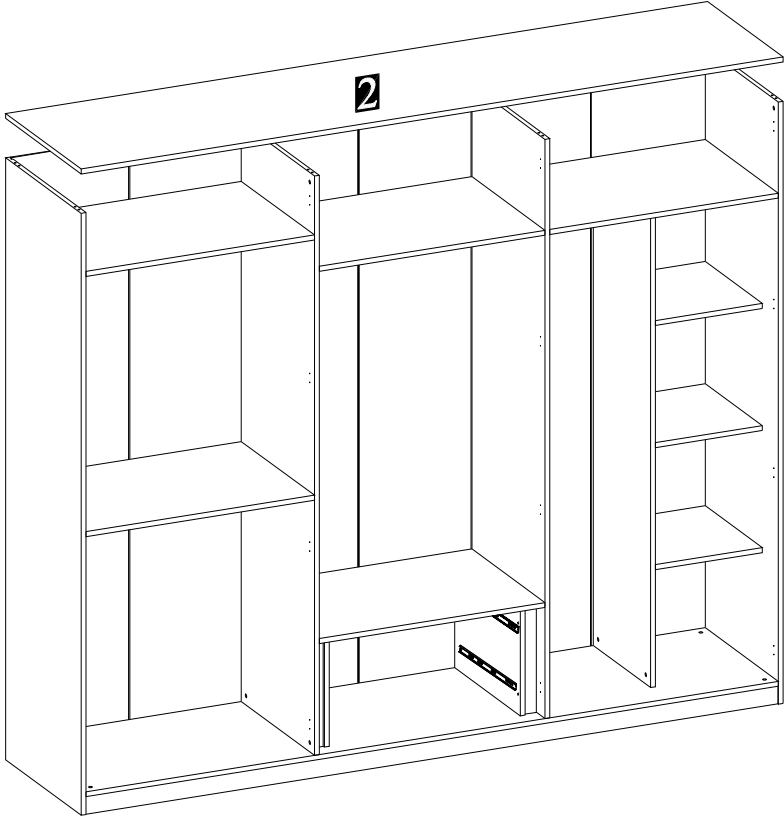
**Step 24**



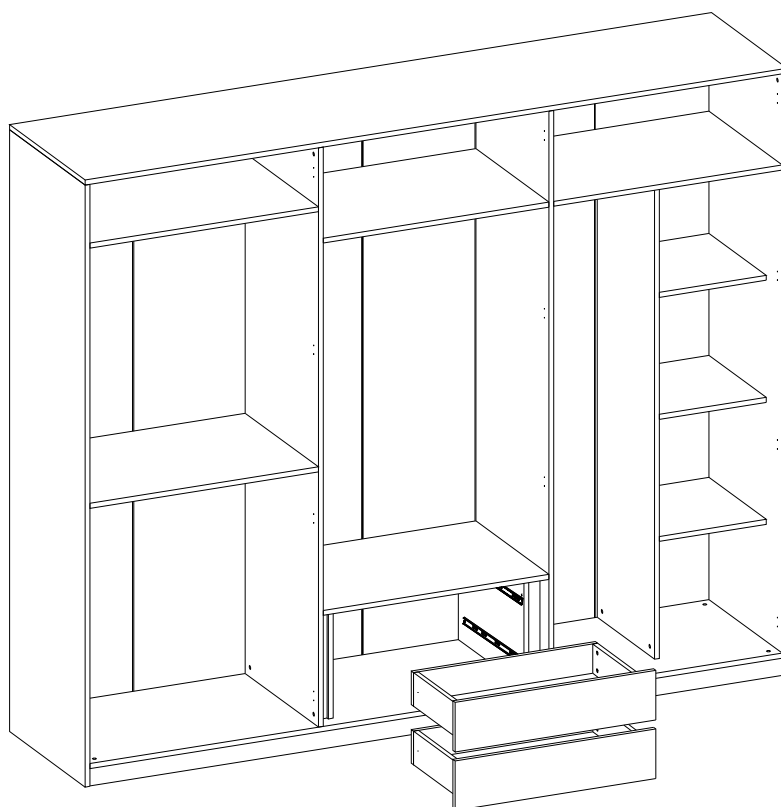
**Step 25**



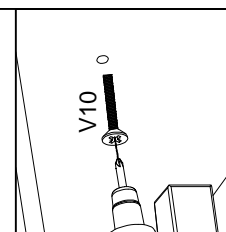
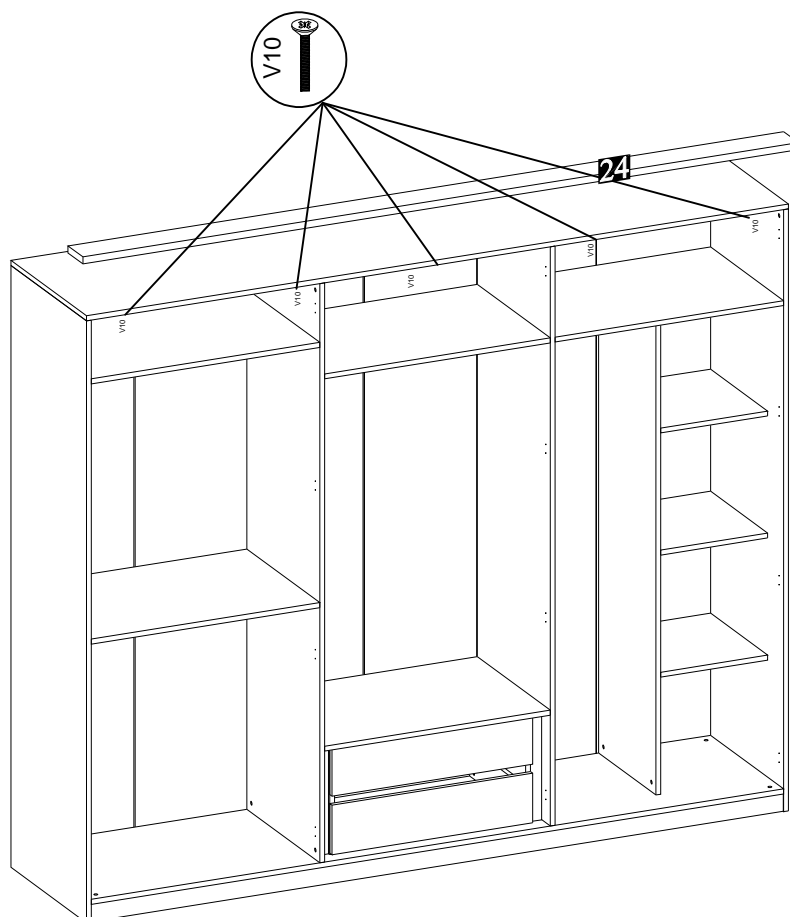
**Step 26**



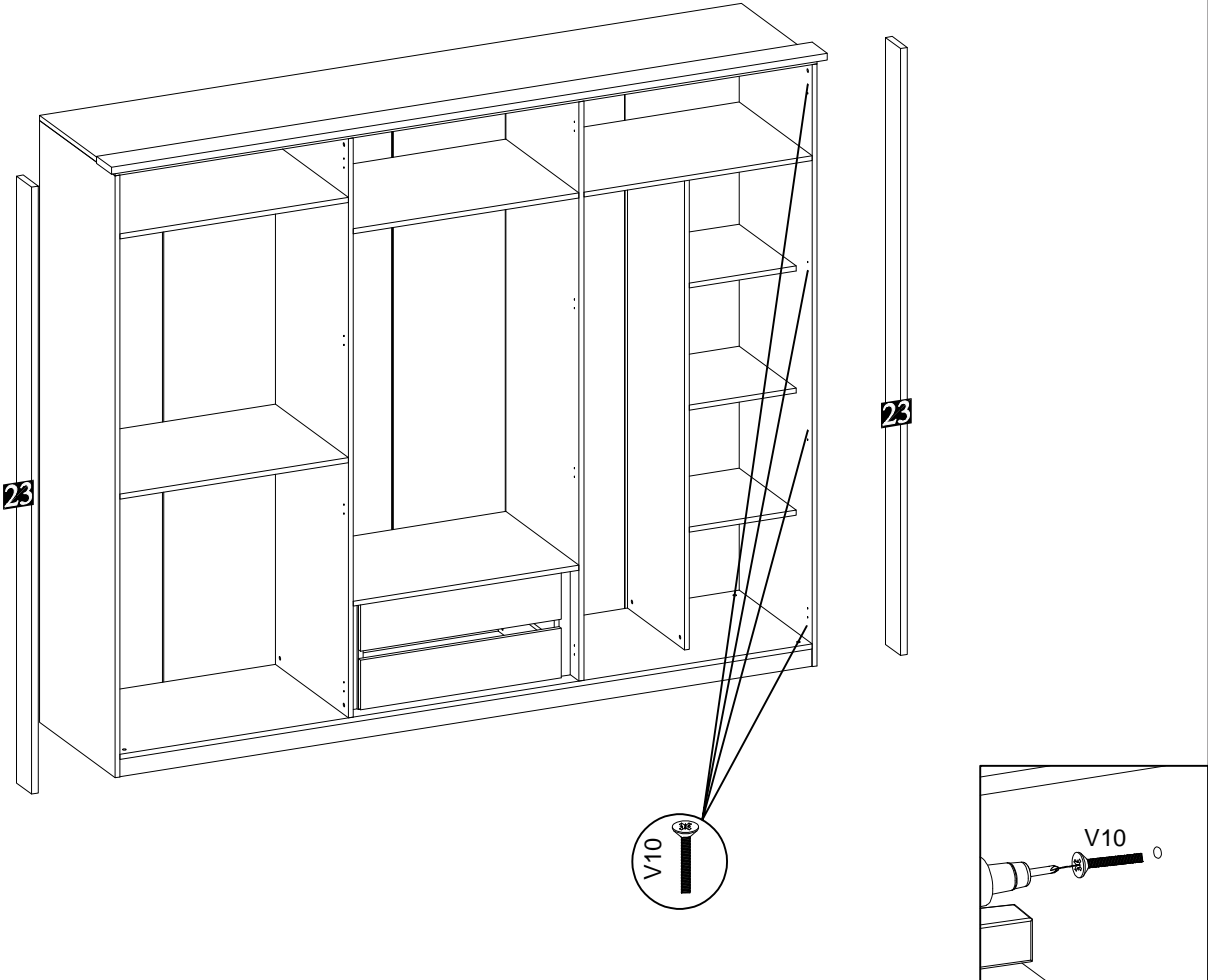
## Step 27



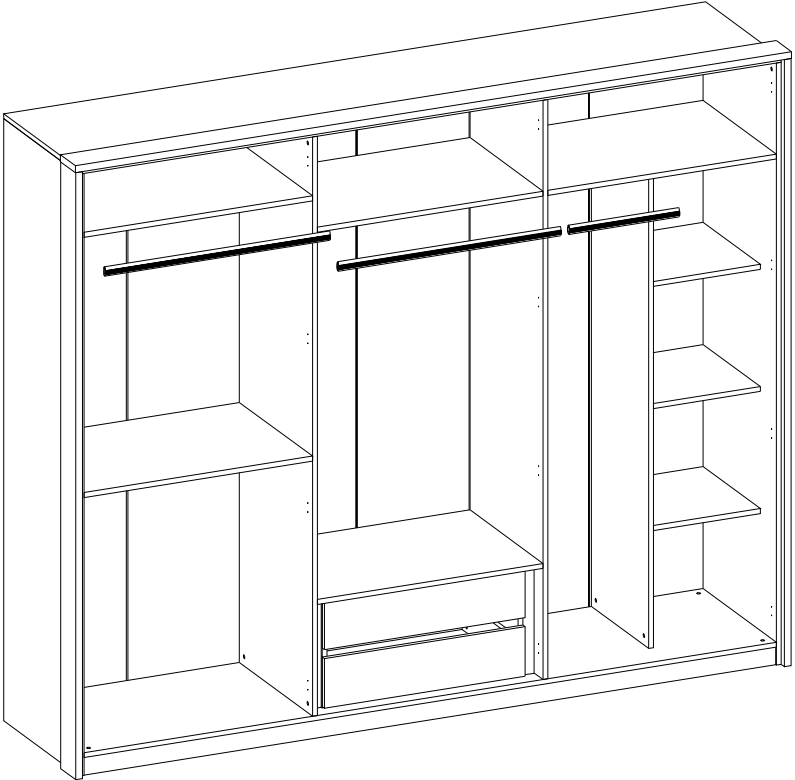
## Step 28



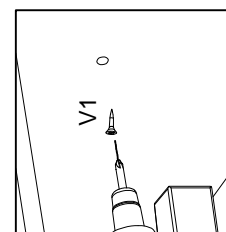
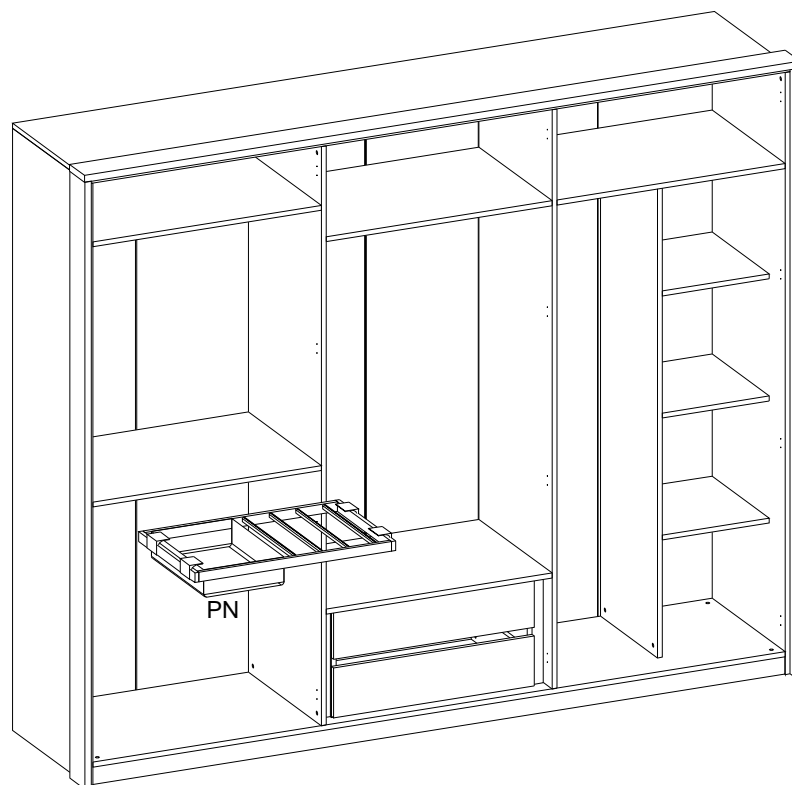
**Step 29**



**Step 30**



## Step 31



## Step 32

